



US00D779172S

(12) **United States Design Patent**
Hester

(10) **Patent No.:** **US D779,172 S**

(45) **Date of Patent:** **** Feb. 21, 2017**

- (54) **HEADWEAR VISOR**
- (71) Applicant: **Yvonne Hester**, Lawrence, NY (US)
- (72) Inventor: **Yvonne Hester**, Lawrence, NY (US)
- (**) Term: **15 Years**
- (21) Appl. No.: **29/505,828**
- (22) Filed: **Feb. 29, 2016**
- (51) **LOC (10) Cl.** **02-03**
- (52) **U.S. Cl.**
USPC **D2/893; D2/876**
- (58) **Field of Classification Search**
USPC D2/865, 866, 871, 872, 876, 878, 882,
D2/884, 891, 892, 893; D29/109, 122
CPC A42B 1/00; A42B 1/002; A42B 1/02;
A42B 1/062; A42B 1/063; A42B 1/064;
A42B 1/18; A42B 1/20; A42B
1/201; A42B 1/205; A42B 1/206; A42B
1/22; A42C 5/00

See application file for complete search history.

(56) **References Cited**
U.S. PATENT DOCUMENTS

859,736 A	7/1907	Brown	
1,214,128 A	1/1917	Brooks	
1,506,664 A *	8/1924	Pickard A61F 9/045 2/12
1,598,314 A *	8/1926	Rosenberg A42B 1/22 2/10
1,716,537 A	6/1929	Acocella	
2,019,028 A *	10/1935	Sternberg A61F 9/045 2/12
2,181,106 A	11/1939	Timmons	
2,424,414 A	7/1947	Oppeneimer	

3,266,056 A *	8/1966	De Villers A42B 1/208 2/12
4,096,589 A *	6/1978	Goldstein A61F 9/045 2/12
D263,092 S *	2/1982	Fay D2/876
D267,752 S *	2/1983	Fairbrother D14/168
4,547,903 A *	10/1985	Brown A41D 20/00 2/12
D282,406 S *	2/1986	Levy D2/876
D285,021 S *	8/1986	Chandler D2/876
D286,221 S *	10/1986	Murray, II D2/876
D288,025 S *	2/1987	Laughlin D2/871
D302,609 S *	8/1989	Wheeler D2/876
5,070,545 A *	12/1991	Tapia A42B 1/064 2/10

(Continued)

Primary Examiner — Karen E. Eldridge Powers

Assistant Examiner — Jasmine Mlinarcik

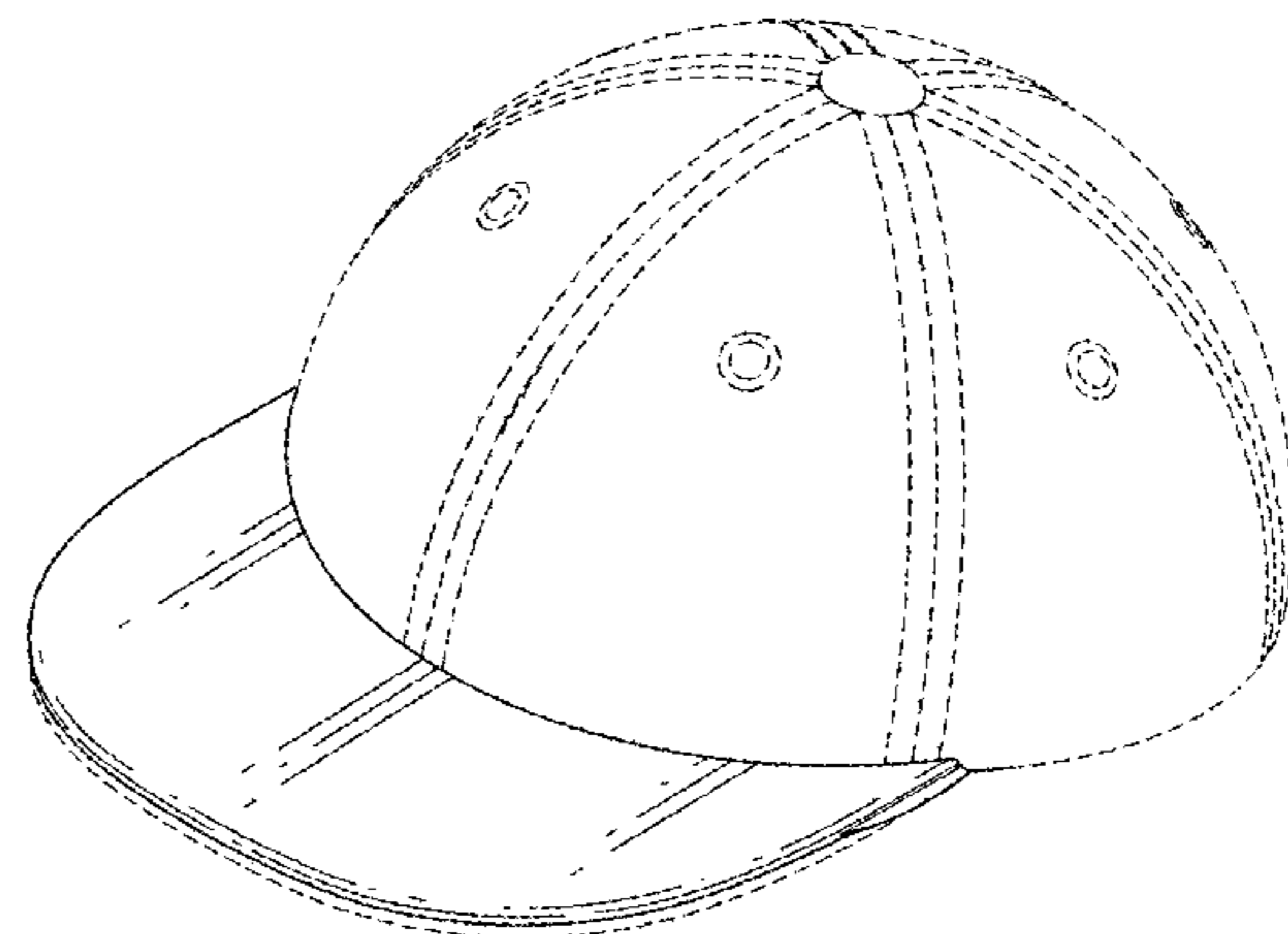
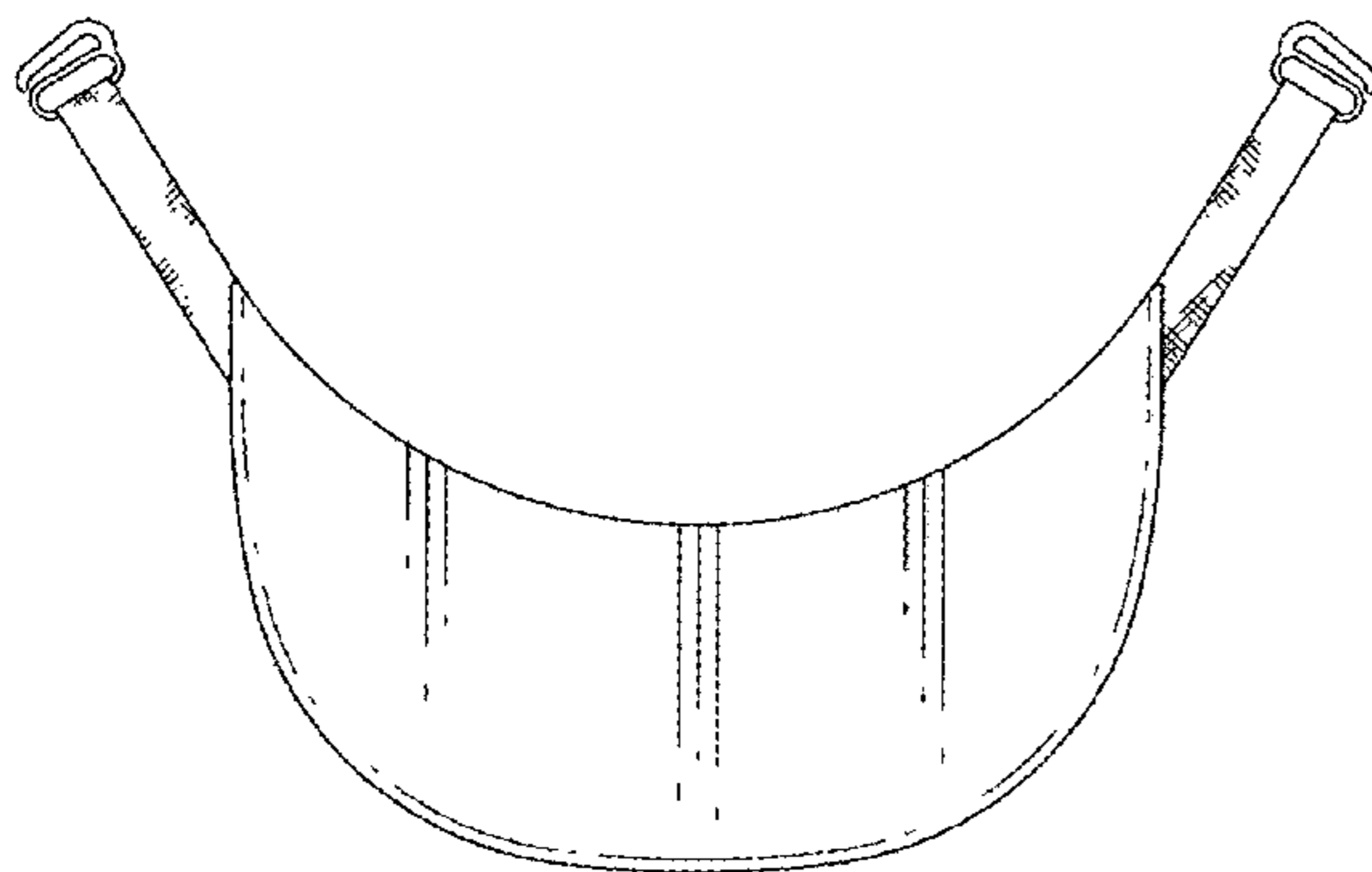
(57) **CLAIM**

I claim the ornamental design for a headwear visor, as shown and described.

DESCRIPTION

FIG. 1 is a top plan view of a headwear visor;
 FIG. 2 is a left side elevation view of the headwear visor;
 FIG. 3 is a right side elevation view of the headwear visor;
 FIG. 4 is a front elevation view of the headwear visor;
 FIG. 5 is a rear elevation view of the headwear visor;
 FIG. 6 is a bottom plan view of the headwear visor;
 FIG. 7 is a perspective view of the headwear visor; and,
 FIG. 8 is a perspective view of the headwear visor.
 The ball cap illustrated by broken lines in FIG. 8 represents environmental structure, and illustrates how the claimed design may appear when used in conjunction with another piece of headwear, but forms no part of the claimed design.

1 Claim, 5 Drawing Sheets



(56)

References Cited

U.S. PATENT DOCUMENTS

D324,128 S * 2/1992 Hoskins D2/876
5,099,524 A * 3/1992 Linday A41D 20/00
2/10
D358,006 S * 5/1995 Chisolm D2/893
D367,753 S * 3/1996 Burge D2/876
D374,972 S * 10/1996 Nelson D2/882
5,581,808 A * 12/1996 Garza A42B 1/062
2/12
5,592,696 A 1/1997 Oliver
5,666,669 A * 9/1997 Sewell A42B 1/062
2/10
5,715,534 A 2/1998 Mobley
5,845,339 A * 12/1998 Ashley A42B 1/201
2/12
5,862,523 A * 1/1999 Proctor A42B 1/064
2/171
5,903,921 A * 5/1999 Dow A42B 1/062
2/12

D412,774 S * 8/1999 Shwartz D2/865
D439,728 S * 4/2001 Smith D2/866
D441,938 S * 5/2001 Davis D2/865
D501,704 S * 2/2005 Hathaway D2/869
6,910,226 B2 * 6/2005 Hoyez A42C 5/04
2/195.1
D672,120 S * 12/2012 Bross D2/893
D673,352 S * 1/2013 Robinson D2/876
D687,604 S * 8/2013 Bryan D29/109
2006/0015984 A1 * 1/2006 Liu A61F 9/045
2/171
2011/0047674 A1 * 3/2011 Sheppard A42B 1/22
2/195.2
2012/0054936 A1 * 3/2012 Cornell A42B 3/227
2/9
2014/0338103 A1 11/2014 Tsai
2015/0113707 A1 4/2015 Tsai
2015/0135406 A1 * 5/2015 Nguyen A42B 1/205
2/209.12

* cited by examiner

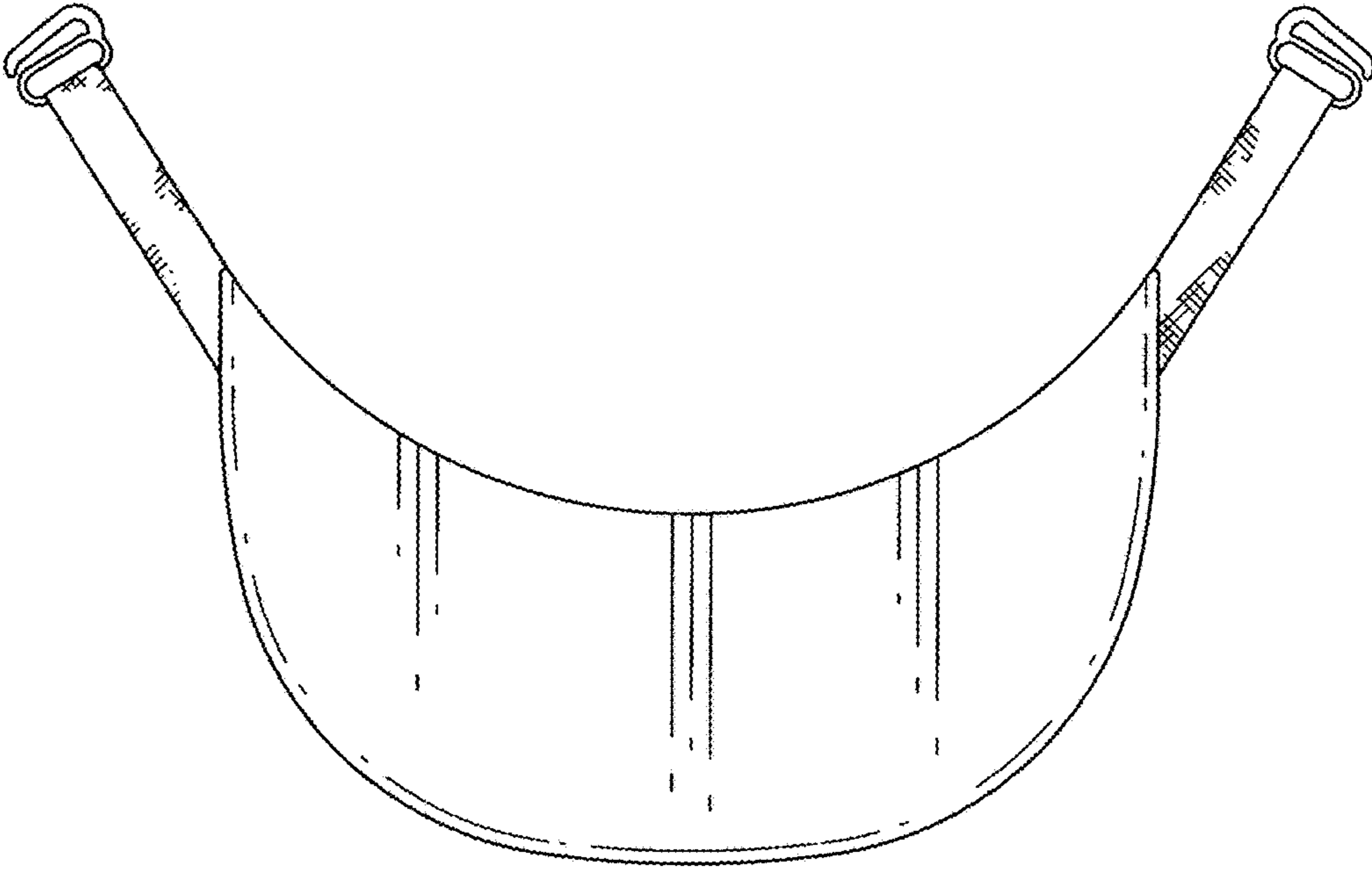


FIG. 1

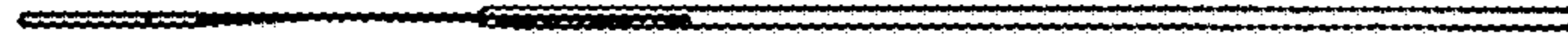


FIG. 2

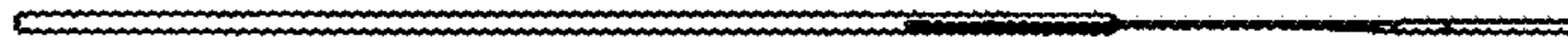


FIG. 3



FIG. 4

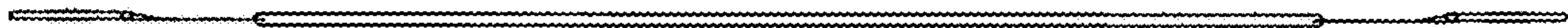


FIG. 5

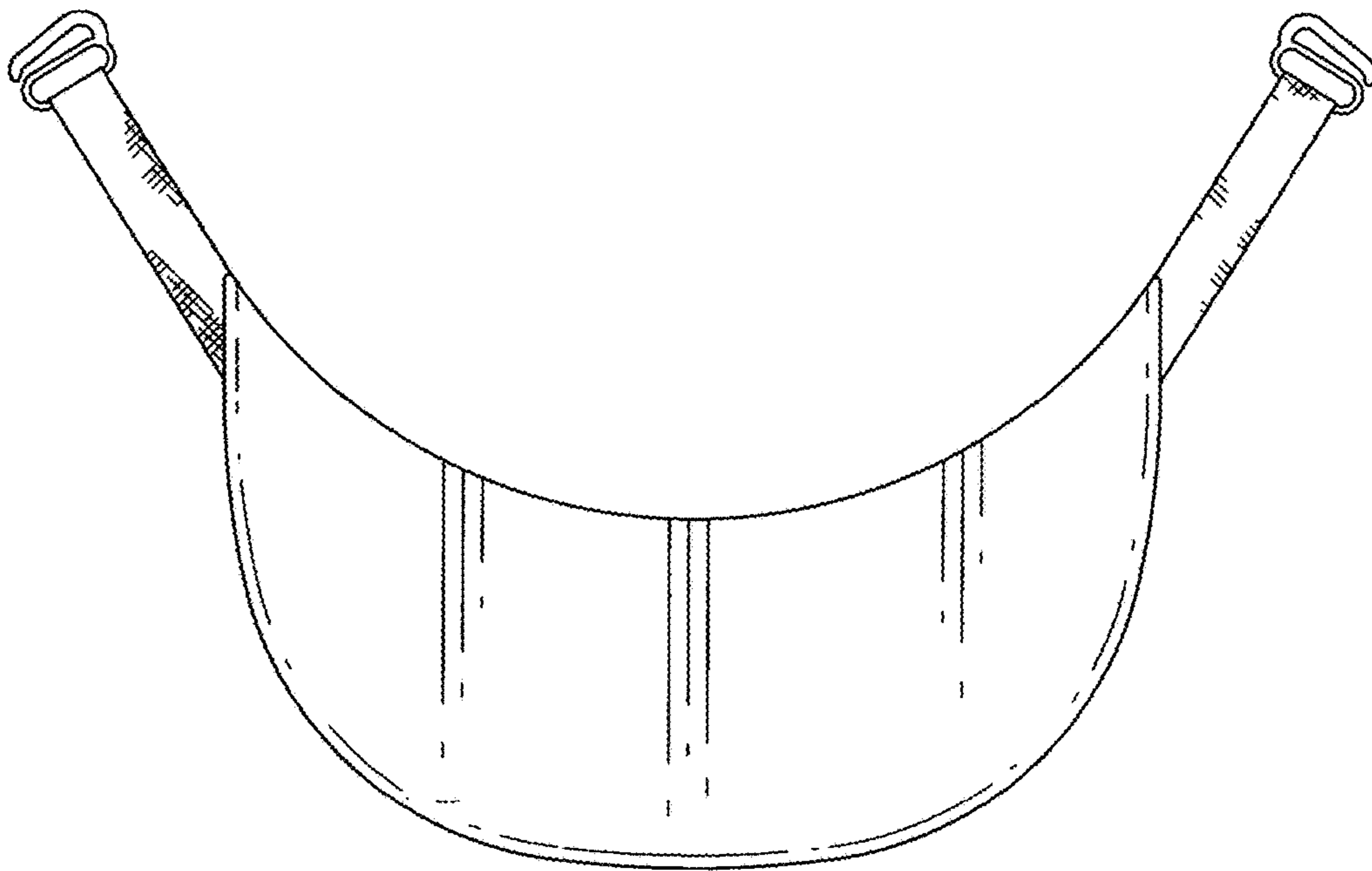


FIG. 6

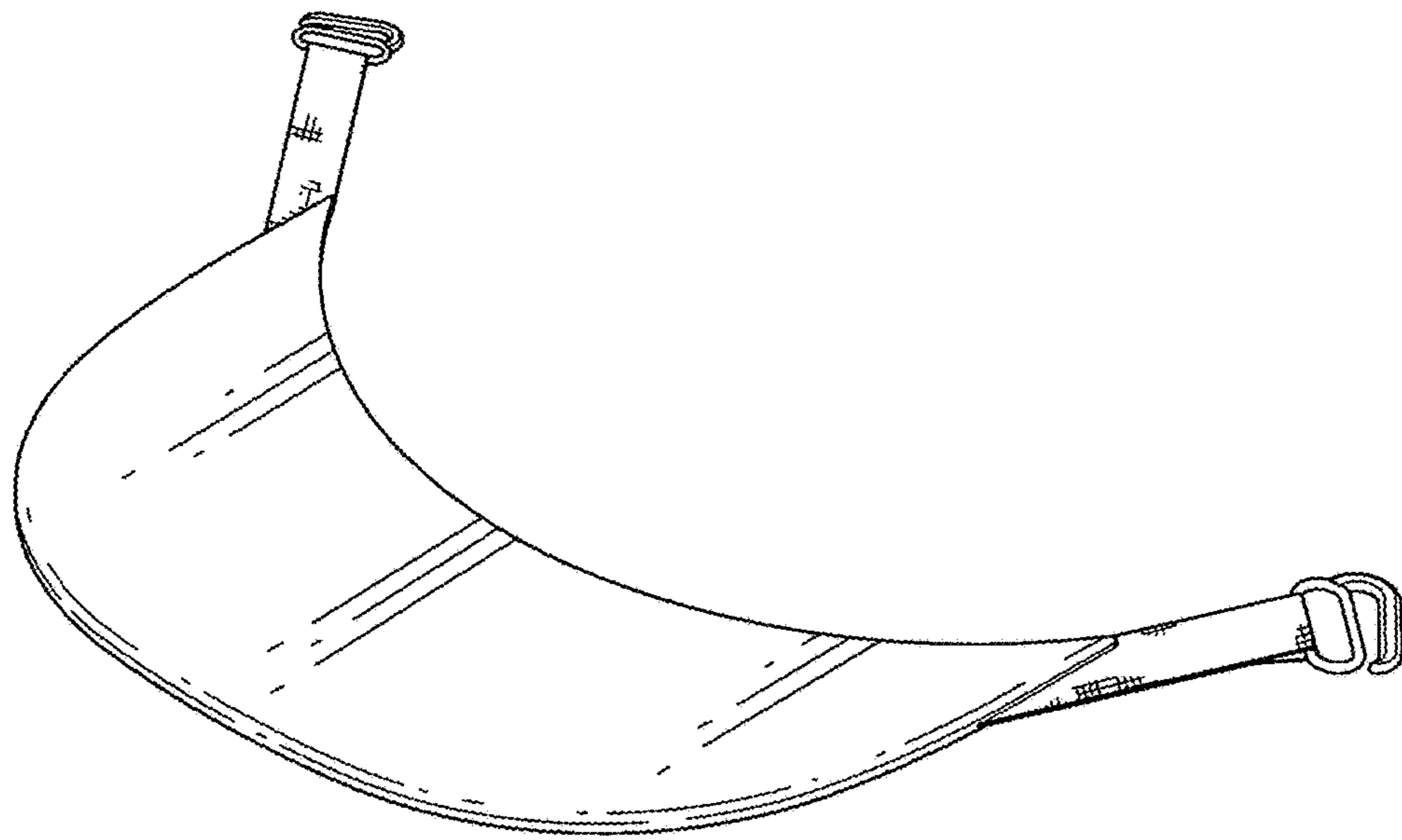


FIG. 7

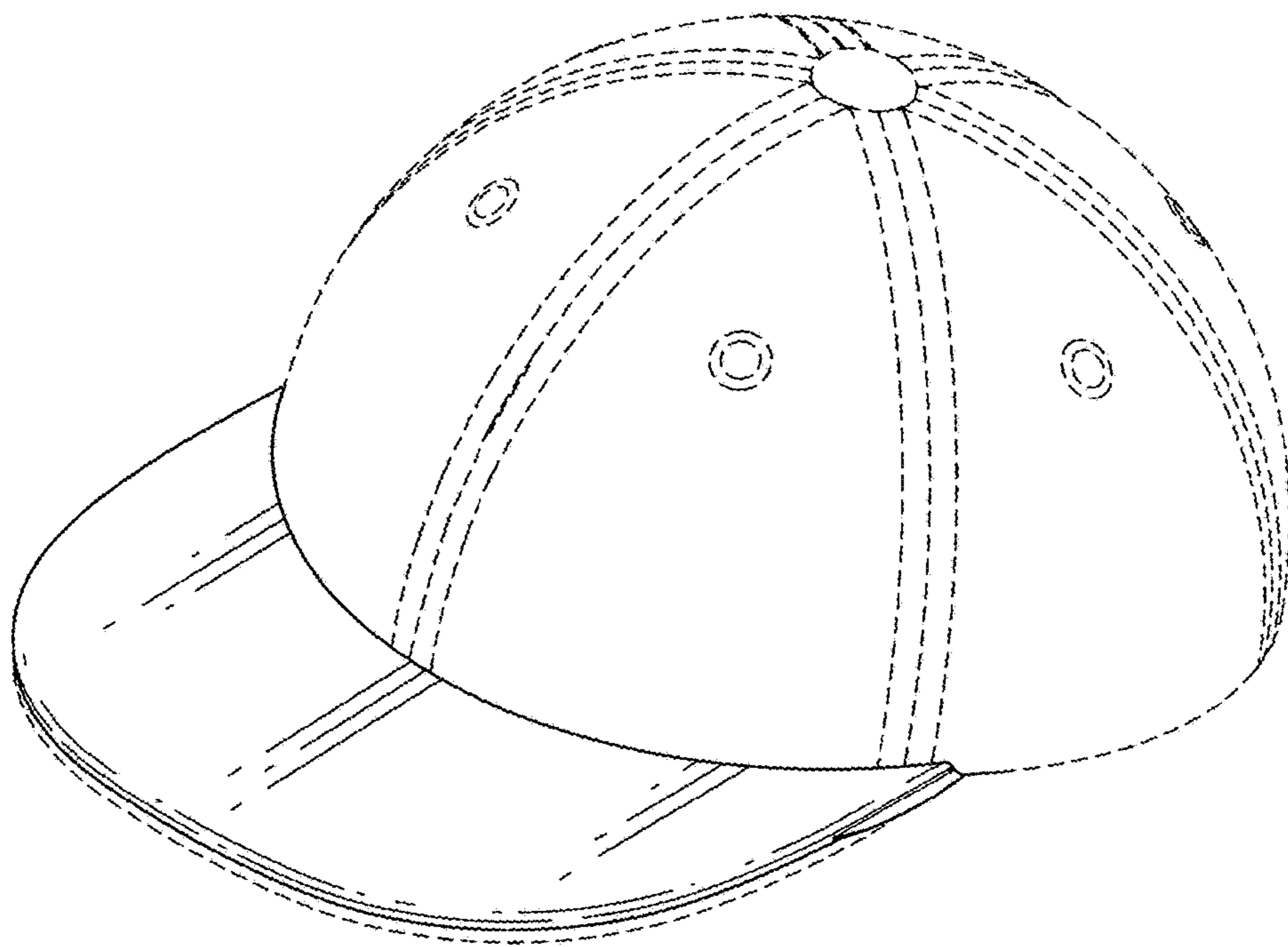


FIG. 8