



US00D779165S

(12) **United States Design Patent** (10) **Patent No.:** **US D779,165 S**  
**Valente** (45) **Date of Patent:** **\*\* Feb. 21, 2017**

(54) **DICKEY GARMENT WITH POUCHES FOR HEAT PACKS**  
(71) Applicant: **Joseph Valente**, Levittown, NY (US)  
(72) Inventor: **Joseph Valente**, Levittown, NY (US)  
(\*\*) Term: **14 Years**  
(21) Appl. No.: **29/487,929**  
(22) Filed: **Apr. 14, 2014**  
(51) **LOC (10) Cl.** ..... **02-01**  
(52) **U.S. Cl.**  
USPC ..... **D2/854**  
(58) **Field of Classification Search**  
USPC ..... D2/749, 750, 854, 502, 609, 758, 769,  
D2/771, 791, 812, 820, 825, 826, 831,  
D2/836, 839, 863, 864, 866, 891;  
D21/303, 320, 328, 333, 753, 771, 772;  
2/2.17, 9, 49.5, 77, 84, 85, 93, 94, 95,  
2/101, 103, 106, 108, 113, 115, 119, 120,  
2/121, 124, 127, 139, 145, 156, 171.4,  
2/173, 175.6, 181.4, 206, 207, 247, 248,  
2/249, 250, 251, 252, 253, 422, 423, 424,  
2/425, 468; 5/482, 483, 485, 486, 487,  
5/489, 490, 491, 492, 495, 497, 498, 499,  
5/500, 501, 502; 119/857  
CPC ..... A41B 3/00; A41B 9/06; A41B 9/08;  
A41B 13/10; A41B 15/00; A41B 15/02;  
A41C 3/0035; A41D 23/00; A41D 27/12;  
A41D 27/20; A41D 27/201; A41D  
27/202; A41D 27/204; A41D  
27/205; A41D 27/207; A41D  
27/208; A41D 29/00; A41D  
2023/002; A41D 2023/004; A41D  
2023/006; A41D 2023/008; A41D  
2200/20; A41D 2400/70; A41D 2400/72;  
A42B 1/00; A42B 1/18; A42B  
1/048; A42B 1/241; A42B 5/00; A45C  
2400/70; A45C 2400/72; A45F 5/022  
See application file for complete search history.

(56) **References Cited**  
U.S. PATENT DOCUMENTS  
783,867 A \* 2/1905 Hyman ..... A41D 23/00  
2/132  
D56,982 S \* 1/1921 Leibold ..... D2/854  
1,391,121 A \* 9/1921 Keppel ..... A41D 13/04  
2/49.5  
2,083,712 A \* 6/1937 Di Iorio ..... A41B 1/22  
2/103  
2,417,888 A \* 3/1947 Schuster ..... A41D 1/205  
2/104  
3,099,013 A \* 7/1963 Thorpe ..... A41B 1/02  
2/103  
D230,663 S \* 3/1974 Fowler ..... D2/854  
4,975,982 A \* 12/1990 Hughes ..... A41B 13/10  
2/174

(Continued)

**OTHER PUBLICATIONS**  
Pumpkin Creek Clothing Co., posted at PumpkinCreekClothing.com, posting date not posted, © 2014 Phoenix Fashions/Pumpkin Creek Clothing Company, [site visited Aug. 3, 2016]. Available from internet:<<http://pumpkincreekclothing.com/shop/dickies/special-black-dickie/>>.\*

*Primary Examiner* — Kevin Rudzinski  
(74) *Attorney, Agent, or Firm* — Global Intellectual Property Agency, LLC; Daniel Boudwin

(57) **CLAIM**  
The ornamental design for a dickey garment with pouches for heat packs, as shown and described.

**DESCRIPTION**

FIG. 1 is a front perspective view of a dickey garment with pouches for heat packs showing my new design;  
FIG. 2 is a rear perspective view thereof;  
FIG. 3 is a front elevational view thereof;  
FIG. 4 is a rear elevational view thereof;  
FIG. 5 is a top plan view thereof;  
FIG. 6 is a bottom plan view thereof;  
FIG. 7 is a left side view thereof;

(Continued)

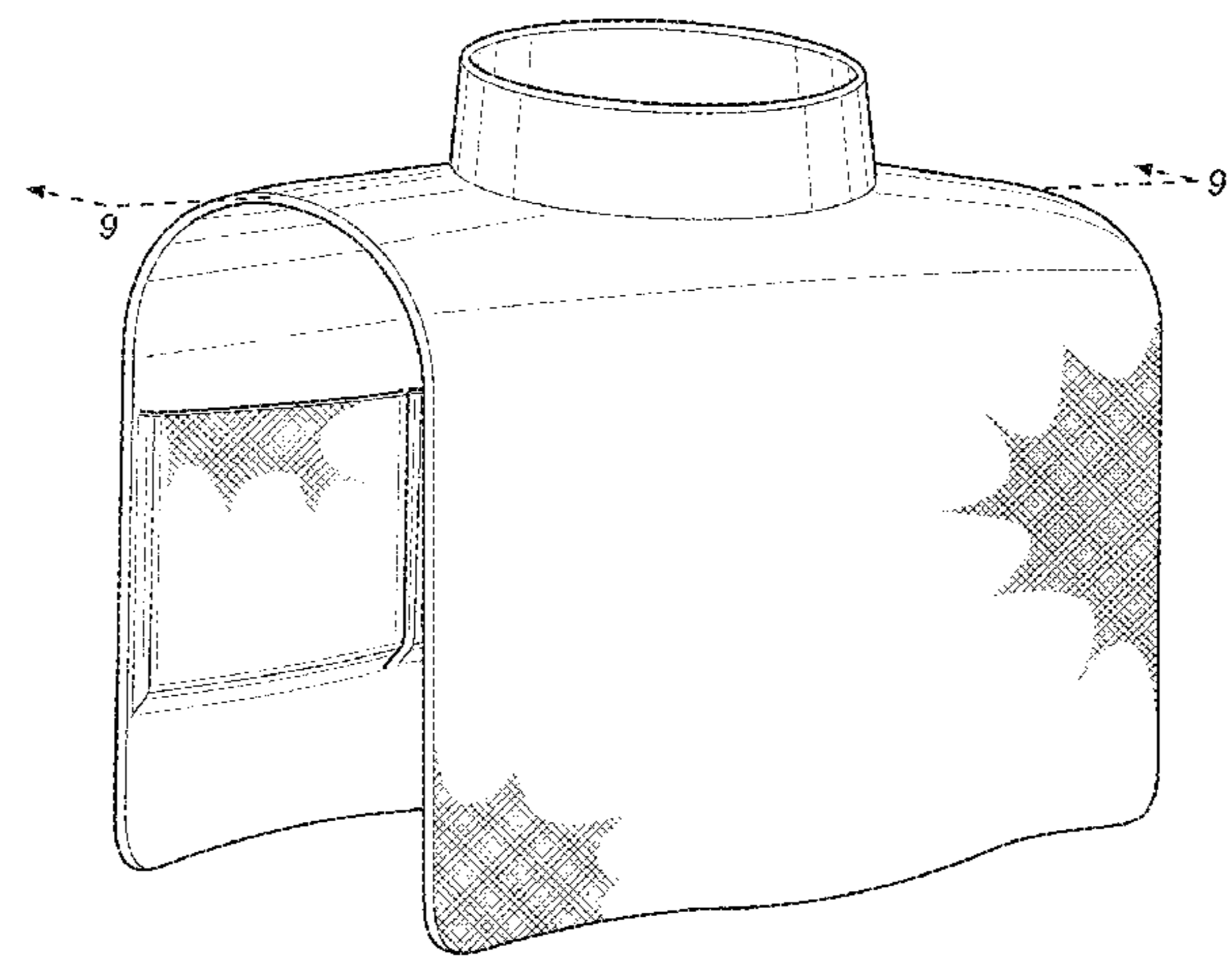


FIG. 8 is a right side view thereof; and,  
 FIG. 9 shows cross sectional view along line 9-9 thereof.  
 The cross-hatching illustrates surface shading that represents flexibility and forms no part of the claimed design.

**1 Claim, 7 Drawing Sheets**

(56)

**References Cited**

U.S. PATENT DOCUMENTS

5,079,778	A *	1/1992	Sloot .....	A41D 27/08
				2/115
5,375,261	A *	12/1994	Lipke .....	A41D 27/18
				2/103
5,572,740	A *	11/1996	Geniesse .....	A45D 44/08
				2/46
5,787,505	A	8/1998	Piwko et al.	
6,044,498	A *	4/2000	Schumann .....	A41D 31/0061
				2/2.5
6,611,960	B2 *	9/2003	Kim .....	A41D 27/18
				2/115
D588,339	S *	3/2009	Dudzik .....	D2/826
D632,873	S *	2/2011	Garibay .....	D2/854
8,192,476	B2	6/2012	Scheberle	
8,220,074	B2	7/2012	Sutker	
D724,820	S *	3/2015	Wall .....	D2/854
D755,481	S *	5/2016	Hodges .....	D2/739
2007/0299489	A1	12/2007	Francis, Jr. et al.	
2010/0089897	A1	4/2010	Bart	

\* cited by examiner

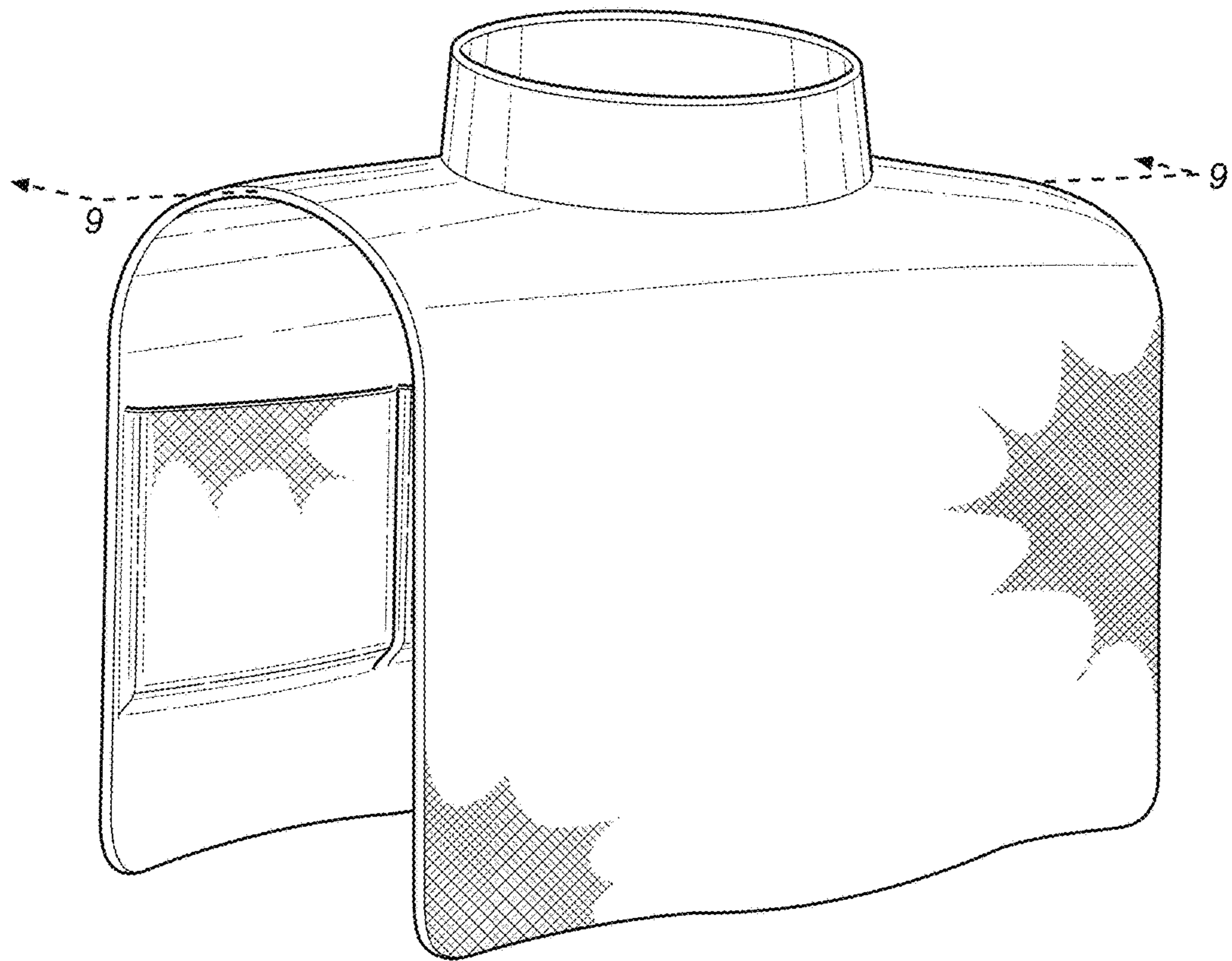


FIG. 1

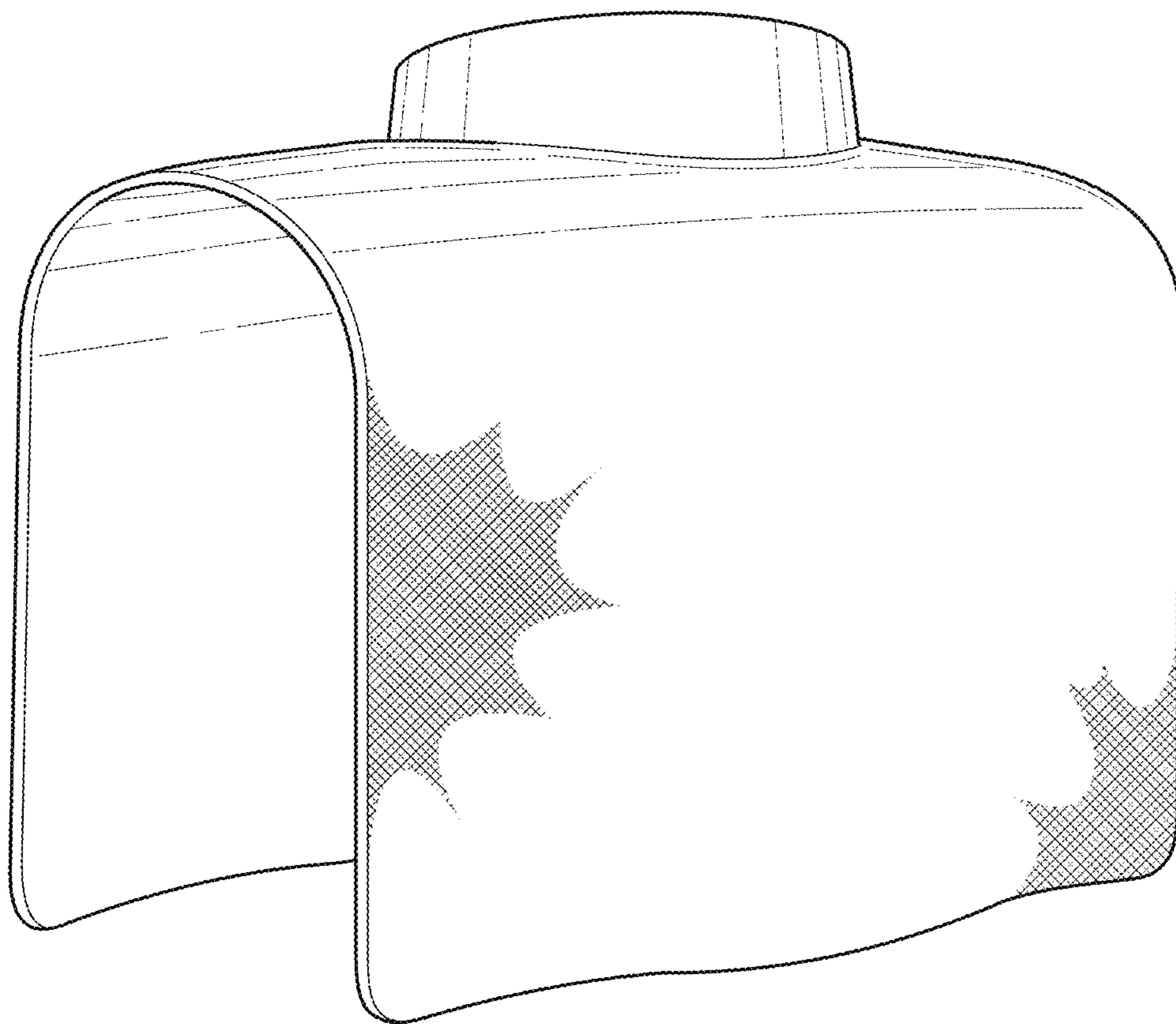
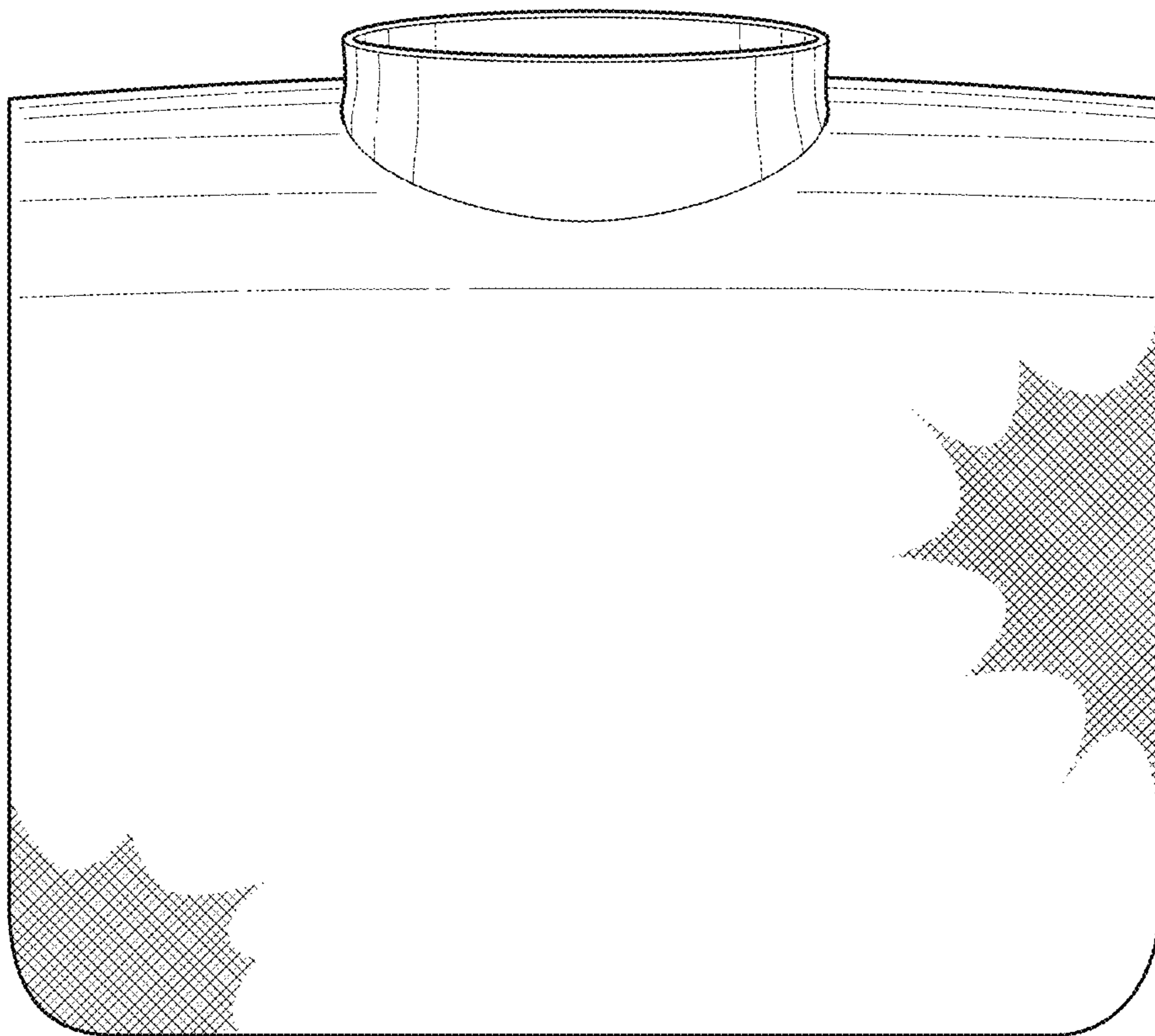


FIG. 2



**FIG. 3**

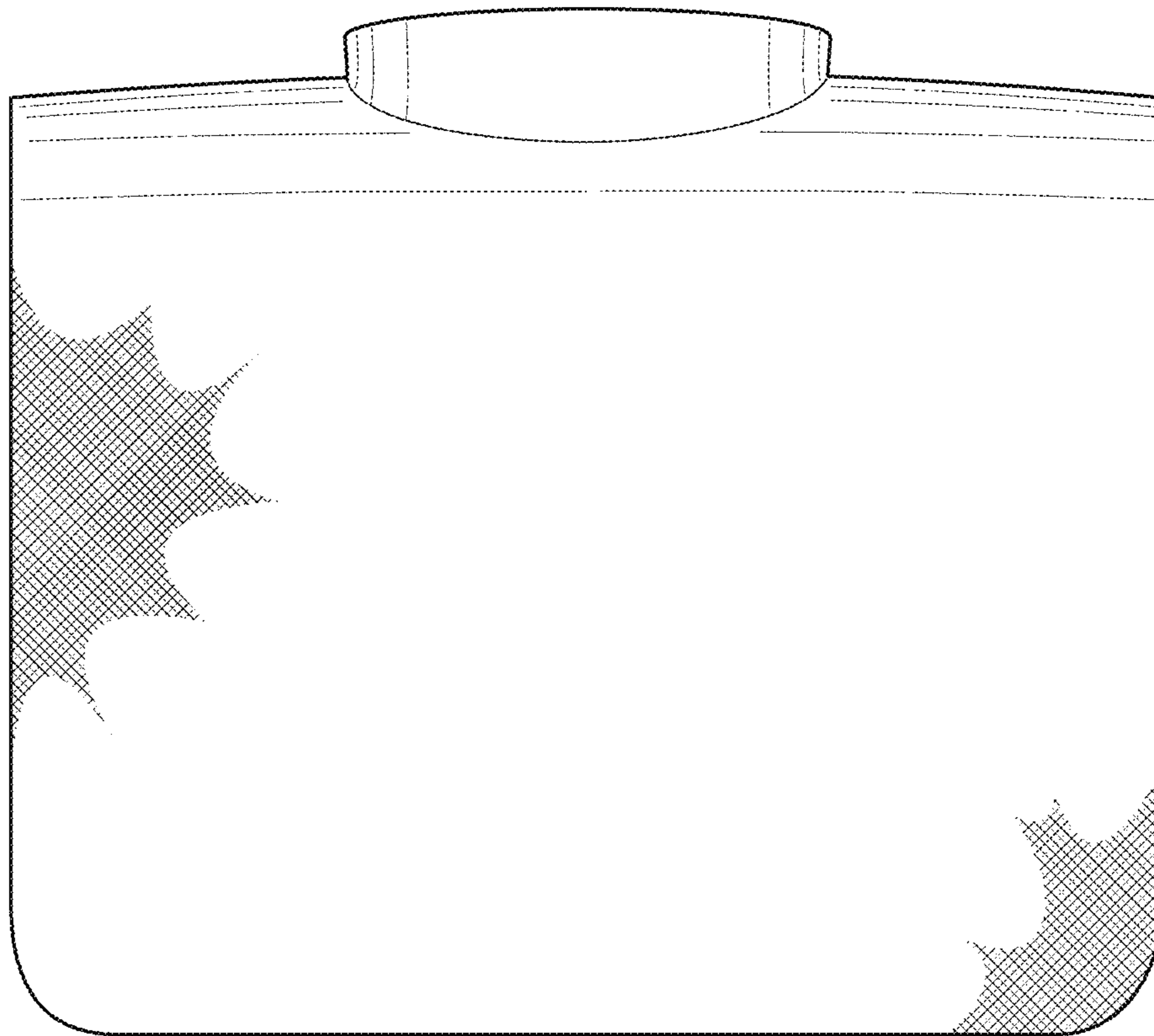
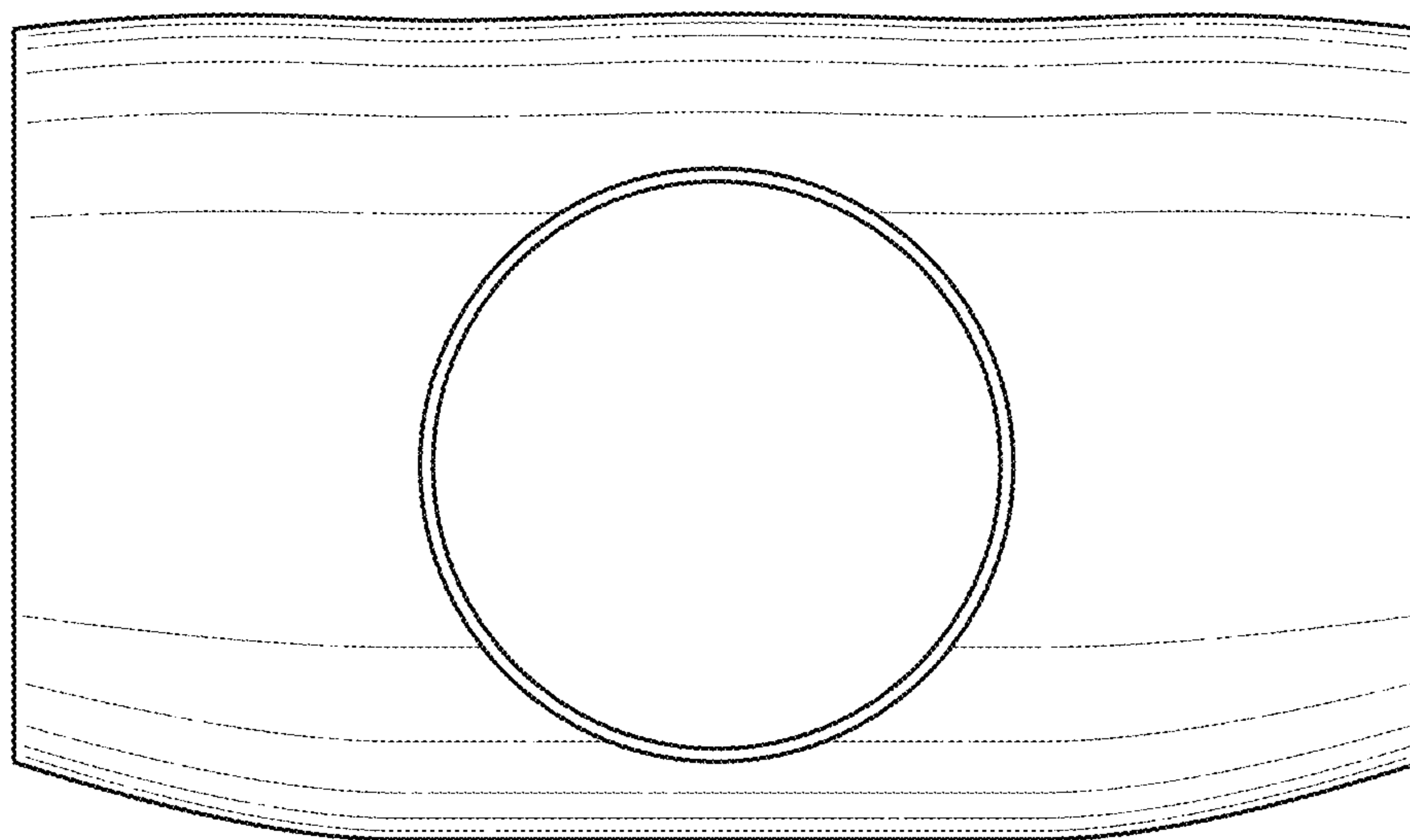
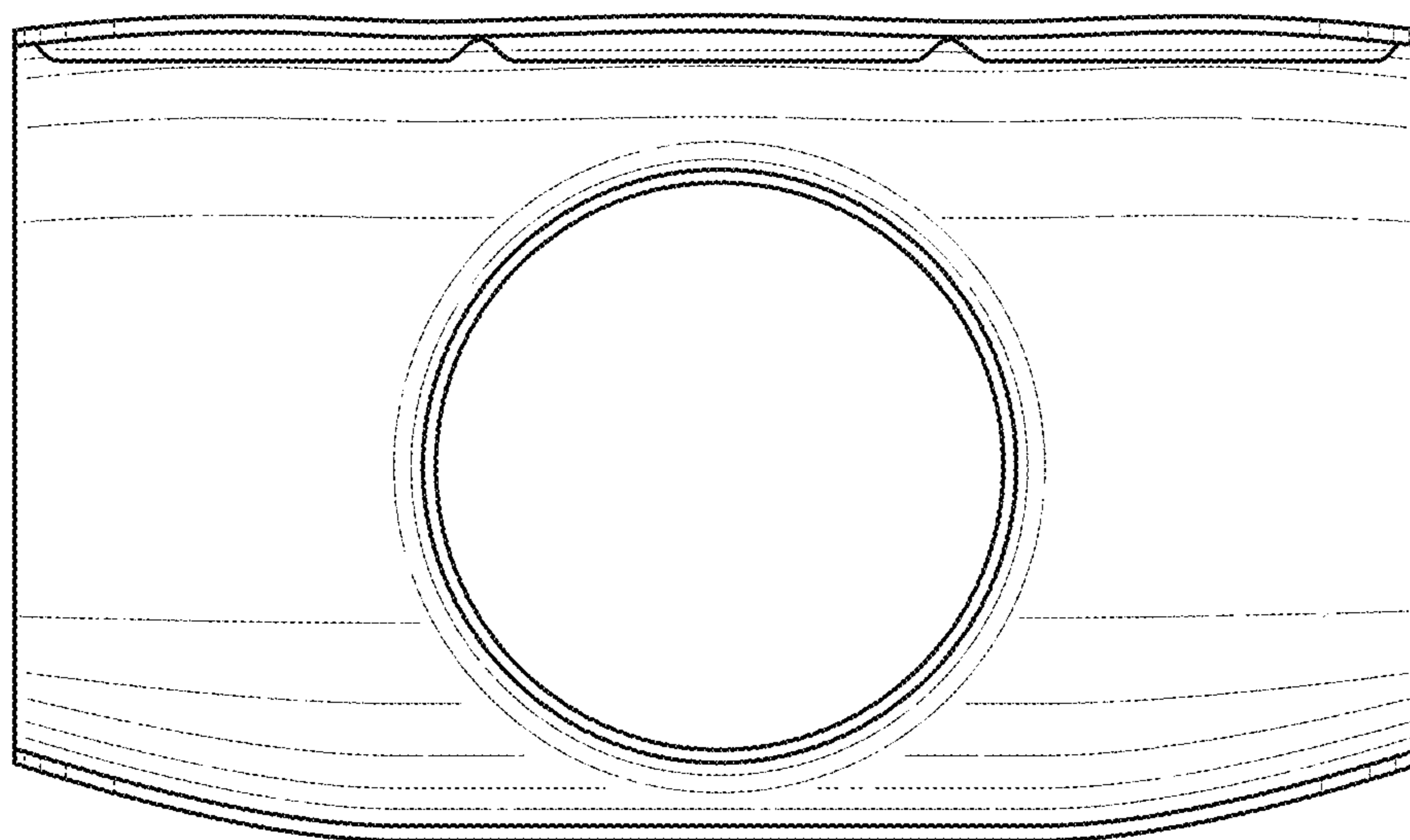


FIG. 4



**FIG. 5**



**FIG. 6**

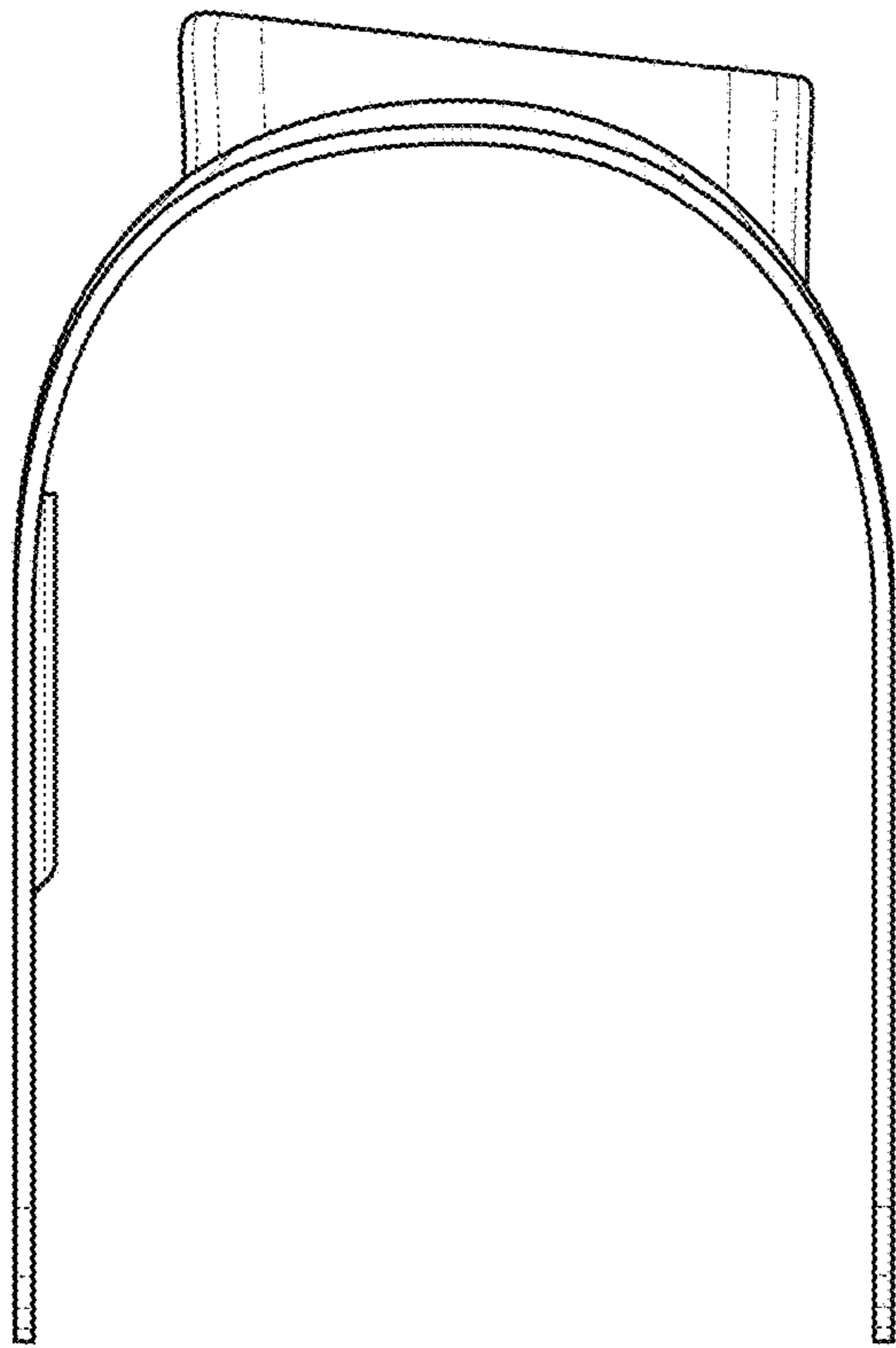


FIG. 7

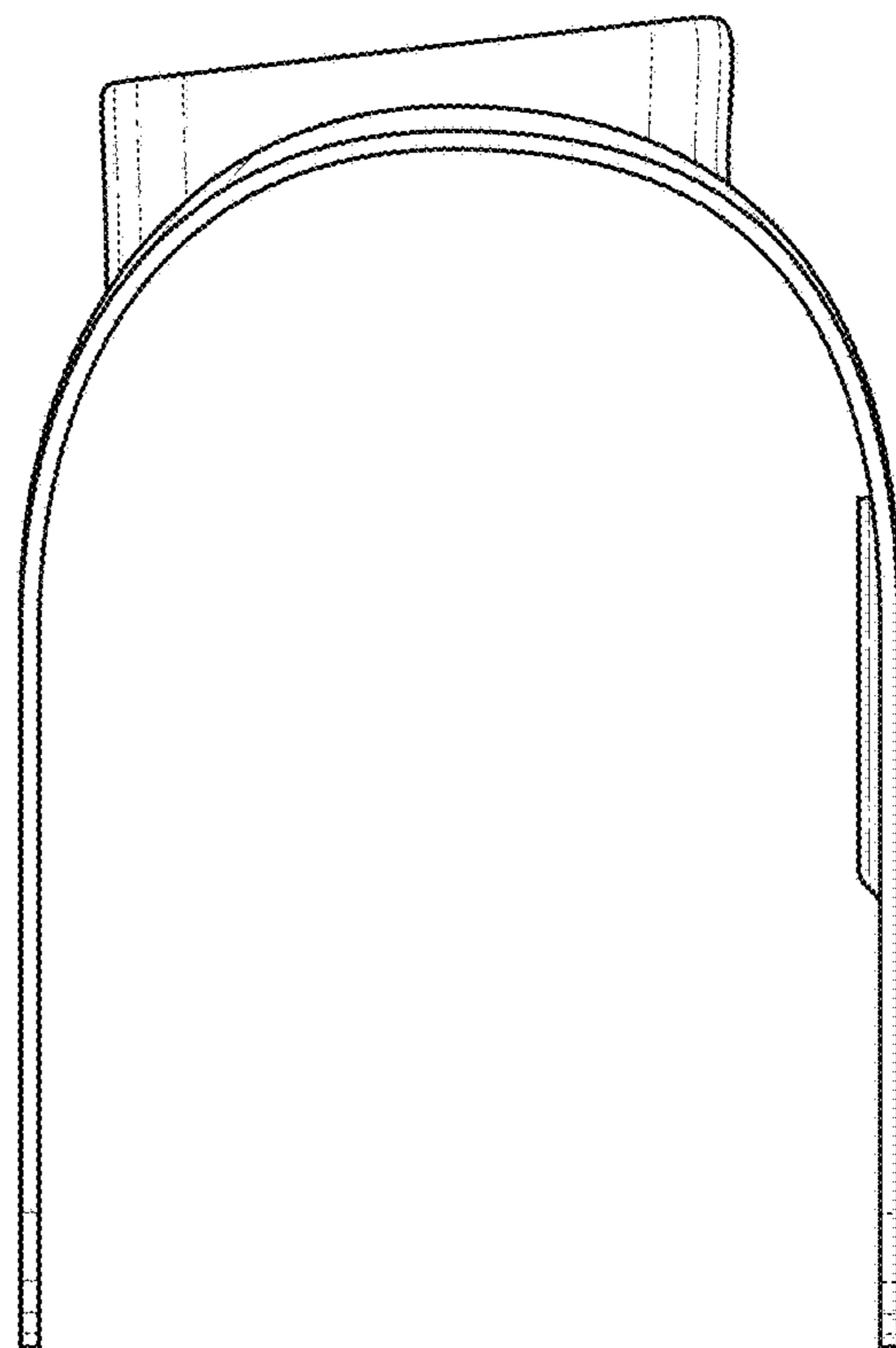


FIG. 8



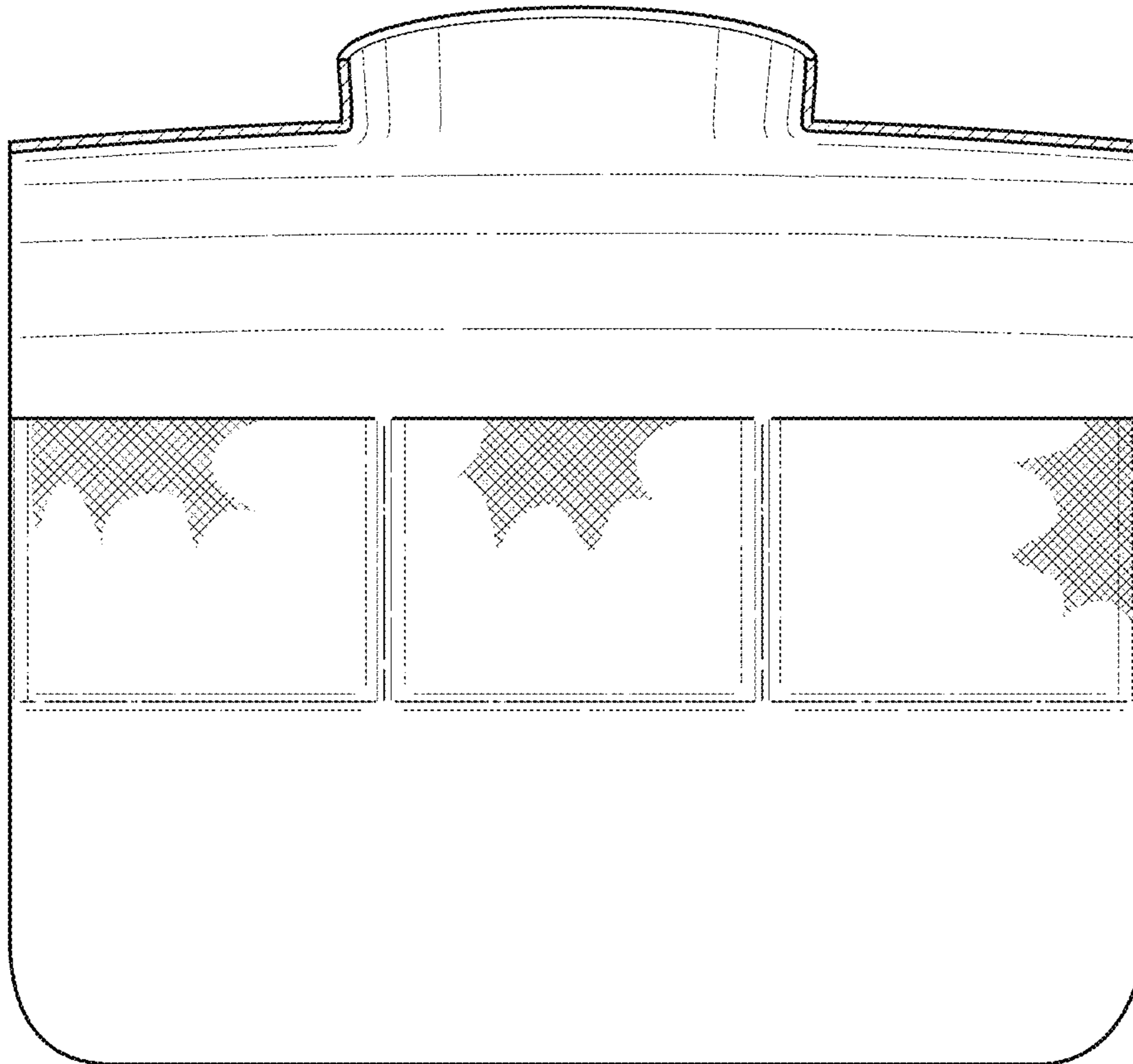


FIG. 9