



US00D779163S

(12) **United States Design Patent** (10) **Patent No.:** **US D779,163 S**
Adrovic (45) **Date of Patent:** **** Feb. 21, 2017**

- (54) **SHIRT**
- (71) Applicant: **NIKE, Inc.**, Beaverton, OR (US)
- (72) Inventor: **Alma Adrovic**, Portland, OR (US)
- (73) Assignee: **NIKE, Inc.**, Beaverton, OR (US)
- (**) Term: **15 Years**
- (21) Appl. No.: **29/545,832**
- (22) Filed: **Nov. 16, 2015**
- (51) **LOC (10) Cl.** **02-02**
- (52) **U.S. Cl.**
USPC **D2/840**
- (58) **Field of Classification Search**
USPC D2/840, 846, 850, 728, 749-759, 717,
D2/739, 731; 2/90, 115, 125, 128
CPC A41B 1/00; A41B 1/08
See application file for complete search history.

D622,037 S *	8/2010	Hall	D2/717
D622,932 S	9/2010	Gettler	
D625,078 S *	10/2010	Scott-Curran	D2/717
D638,607 S	5/2011	Delco et al.	
D640,858 S *	7/2011	Hall	D2/717
D643,577 S	8/2011	Bulan et al.	
D654,659 S *	2/2012	Scott-Curran	D2/717
D663,103 S	7/2012	Mims	
D716,527 S	11/2014	Miyamoto	
D734,916 S	7/2015	Turner	
D745,250 S *	12/2015	McClain	D2/731
D760,479 S *	7/2016	Adrovic	D2/731

* cited by examiner

Primary Examiner — Susan Bennett Hattan
Assistant Examiner — Rebecca Tsehaye
(74) *Attorney, Agent, or Firm* — Banner & Witcoff, Ltd.

(57) **CLAIM**

The ornamental design for a shirt, as shown and described.

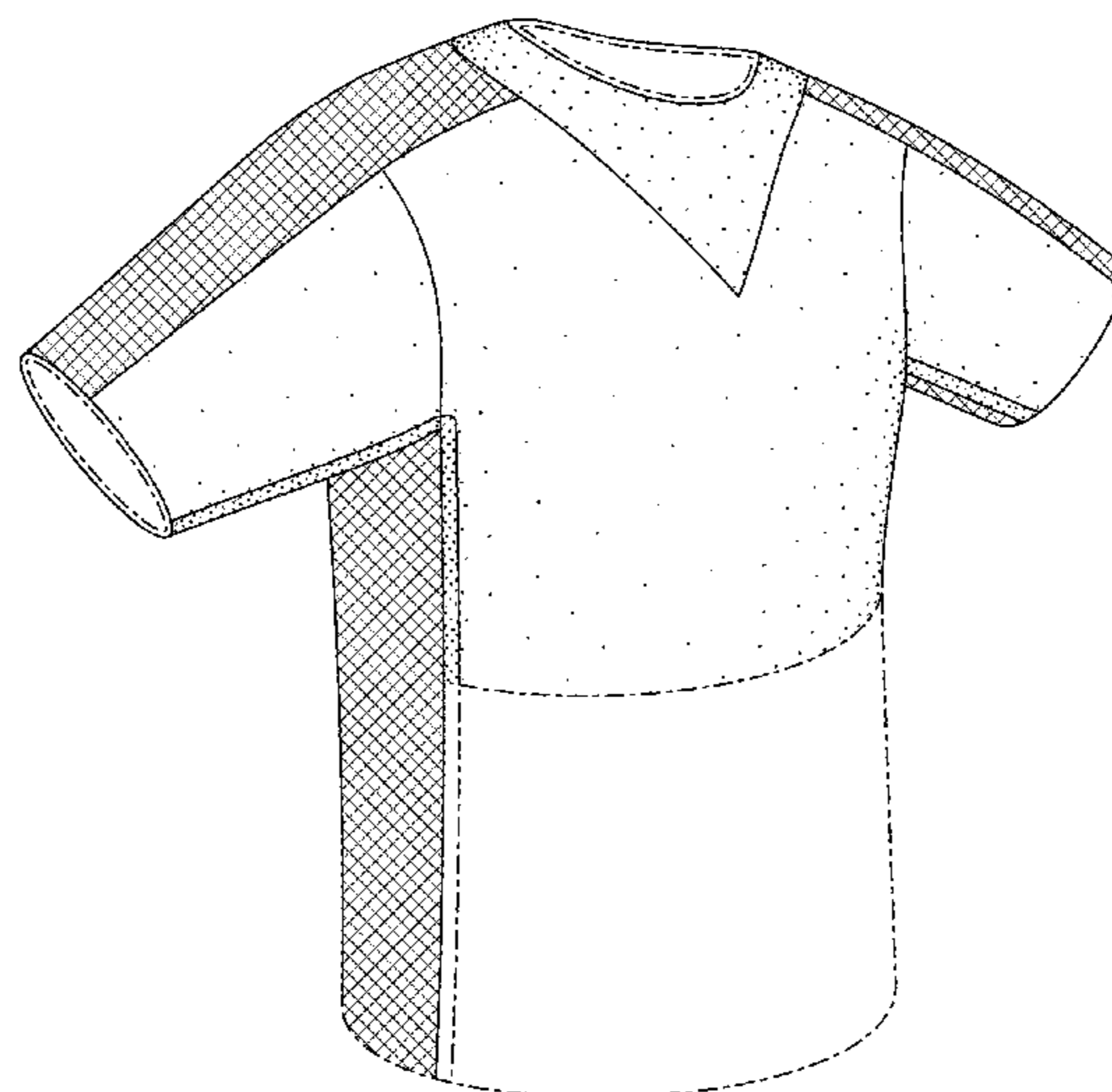
DESCRIPTION

FIG. 1 is a front perspective view of a shirt showing my new design;
FIG. 2 is a rear perspective view thereof;
FIG. 3 is a rear view thereof;
FIG. 4 is a front view thereof;
FIG. 5 is a side view thereof;
FIG. 6 is a second side view thereof;
FIG. 7 is a top view thereof; and,
FIG. 8 is a bottom view thereof.
The broken lines immediately adjacent to the shaded area represent unclaimed boundaries of the design. The unshaded regions demarcated by broken lines, represent unclaimed portions of the shirt and form no part of the claimed design. The broken lines showing the remainder of the shirt are for environmental purposes only and form no part of the claimed design.

1 Claim, 7 Drawing Sheets

(56) **References Cited**
U.S. PATENT DOCUMENTS

D97,062 S	10/1935	Hedin	
D98,156 S	1/1936	Geist	
D153,122 S	3/1949	Colton	
D161,322 S	12/1950	Dennis	
D170,723 S	10/1953	Secosky	
D187,852 S	5/1960	Freund	
D244,321 S	5/1977	Phillips	
D250,558 S *	12/1978	Morgan	D2/717
D290,301 S	6/1987	Levy	
D306,792 S	3/1990	Gates	
D324,127 S	2/1992	Ashcraft	
D332,172 S	1/1993	Lewis	
D367,154 S	2/1996	Beck	
D474,325 S *	5/2003	Cribbs	D2/850
D479,033 S *	9/2003	Bowden	D2/717
D526,763 S *	8/2006	Tanner	D2/717
D612,130 S *	3/2010	Hall	D2/840



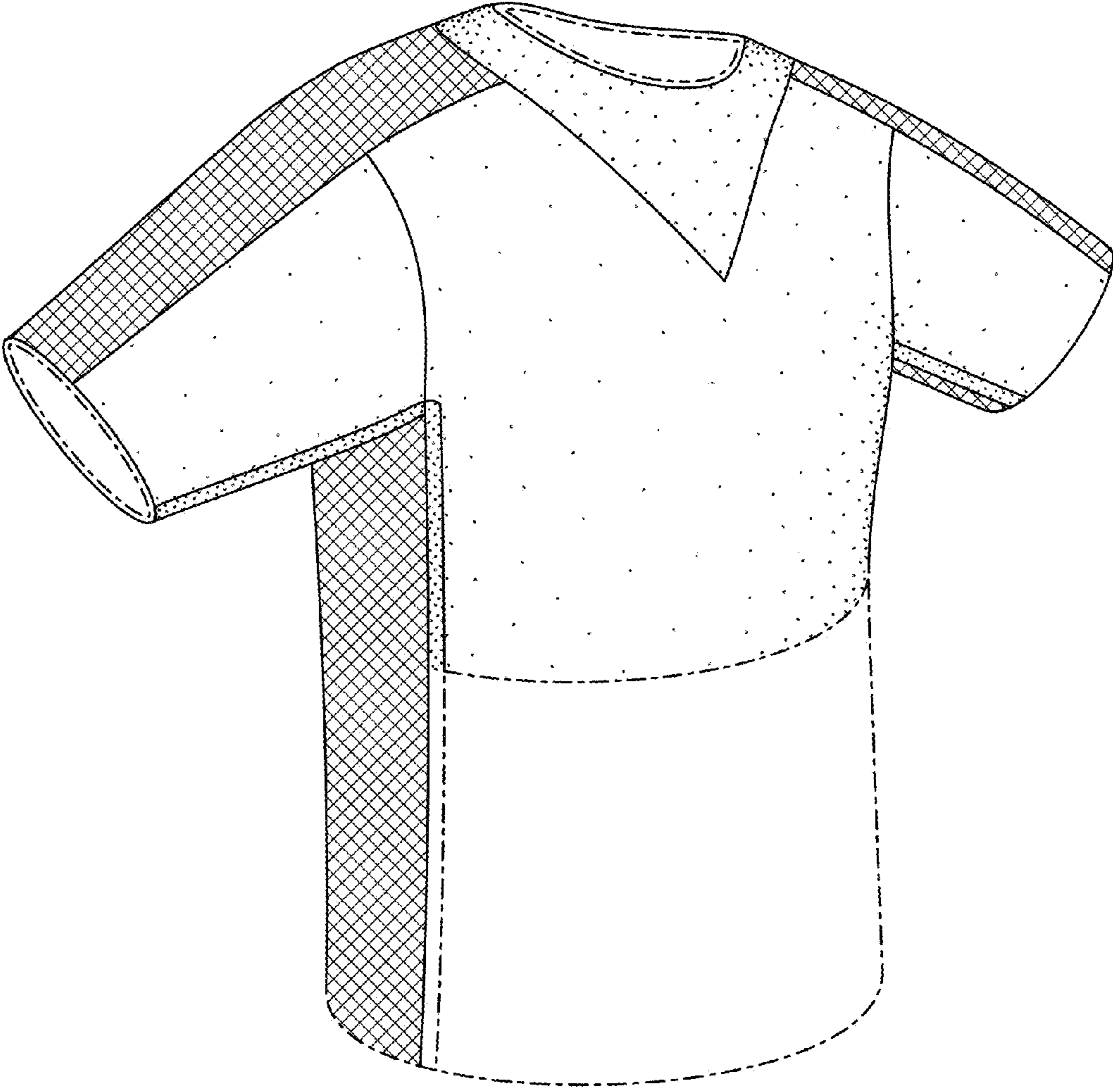


FIG. 1

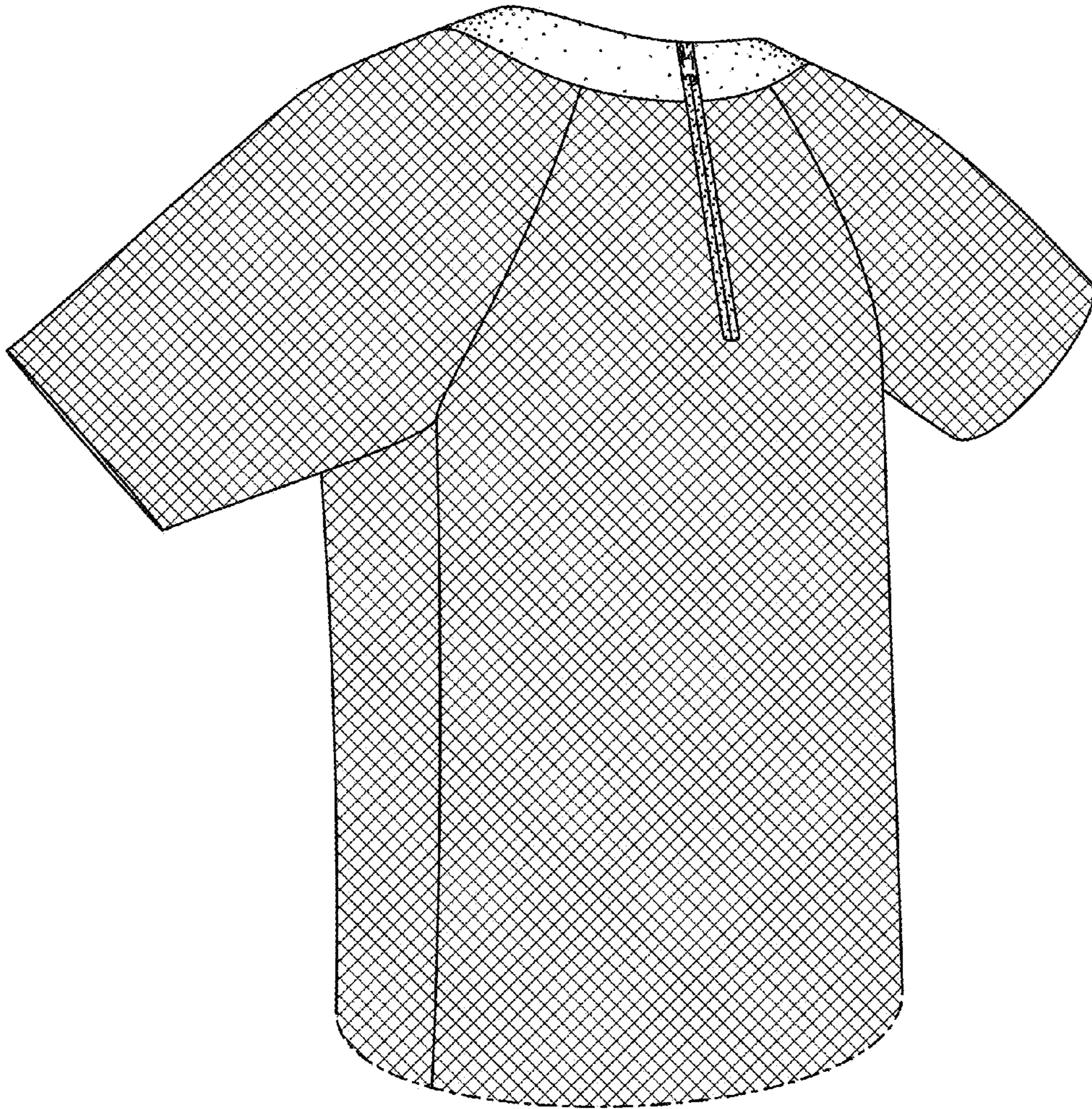


FIG. 2

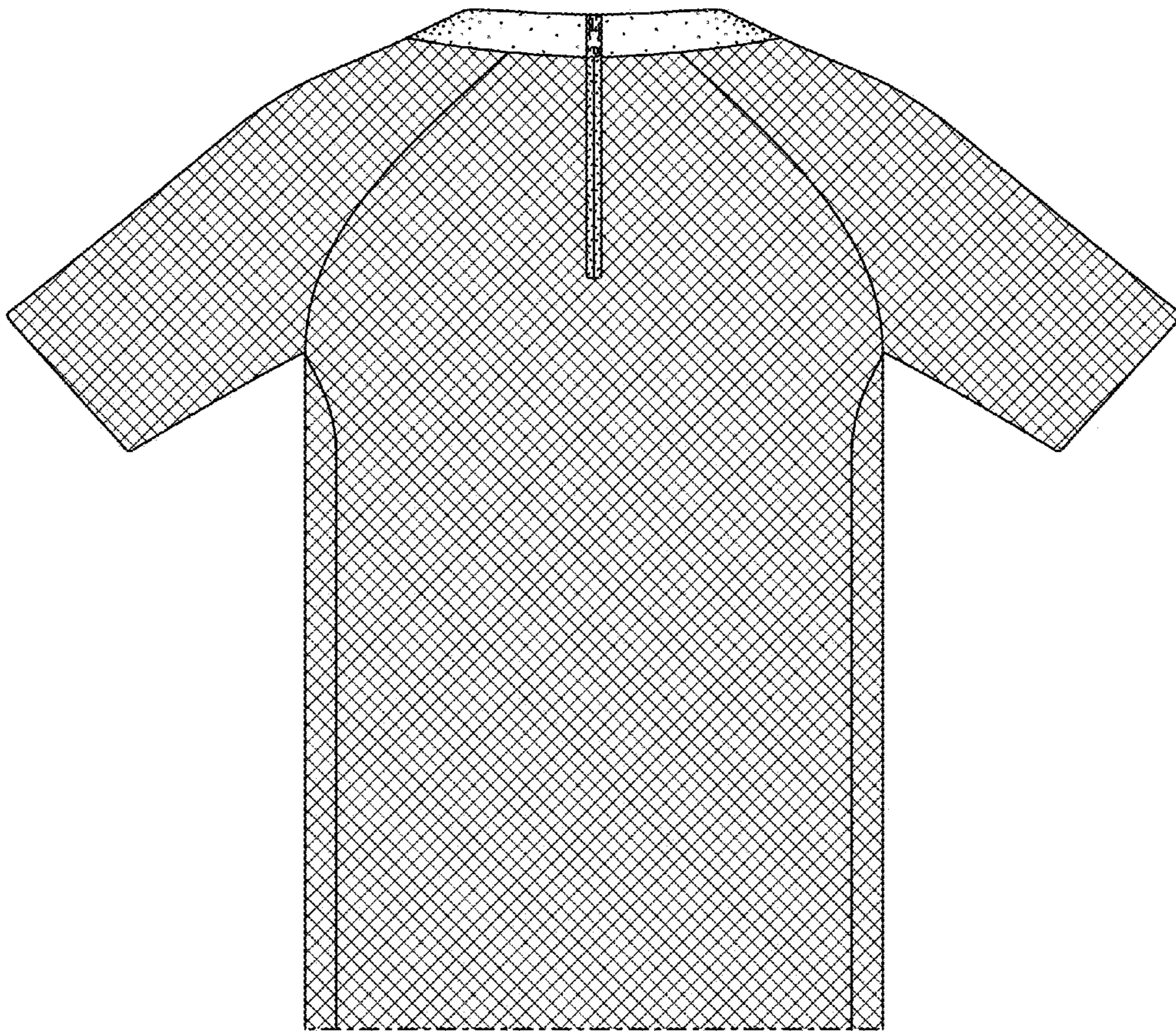


FIG. 3

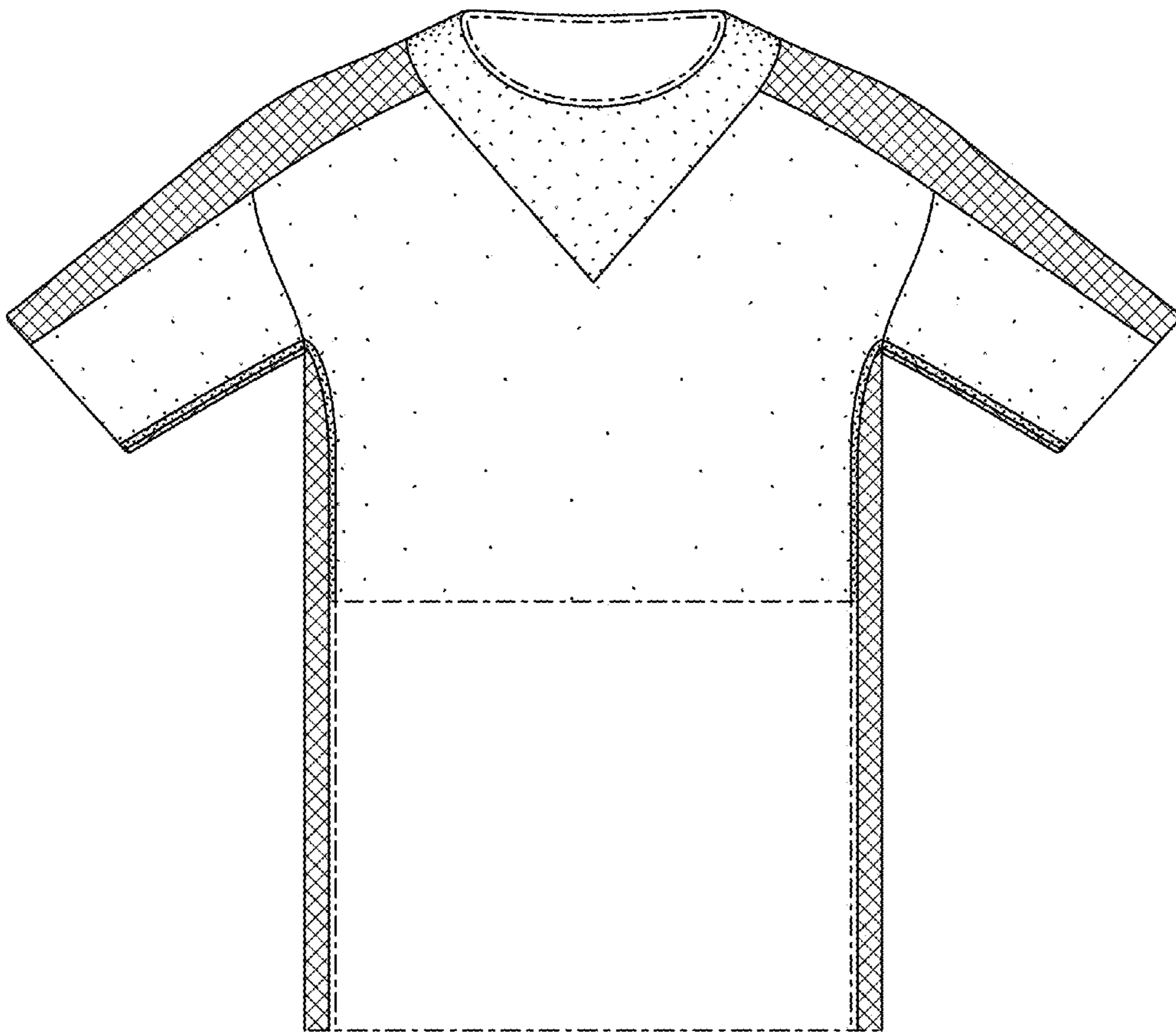


FIG. 4

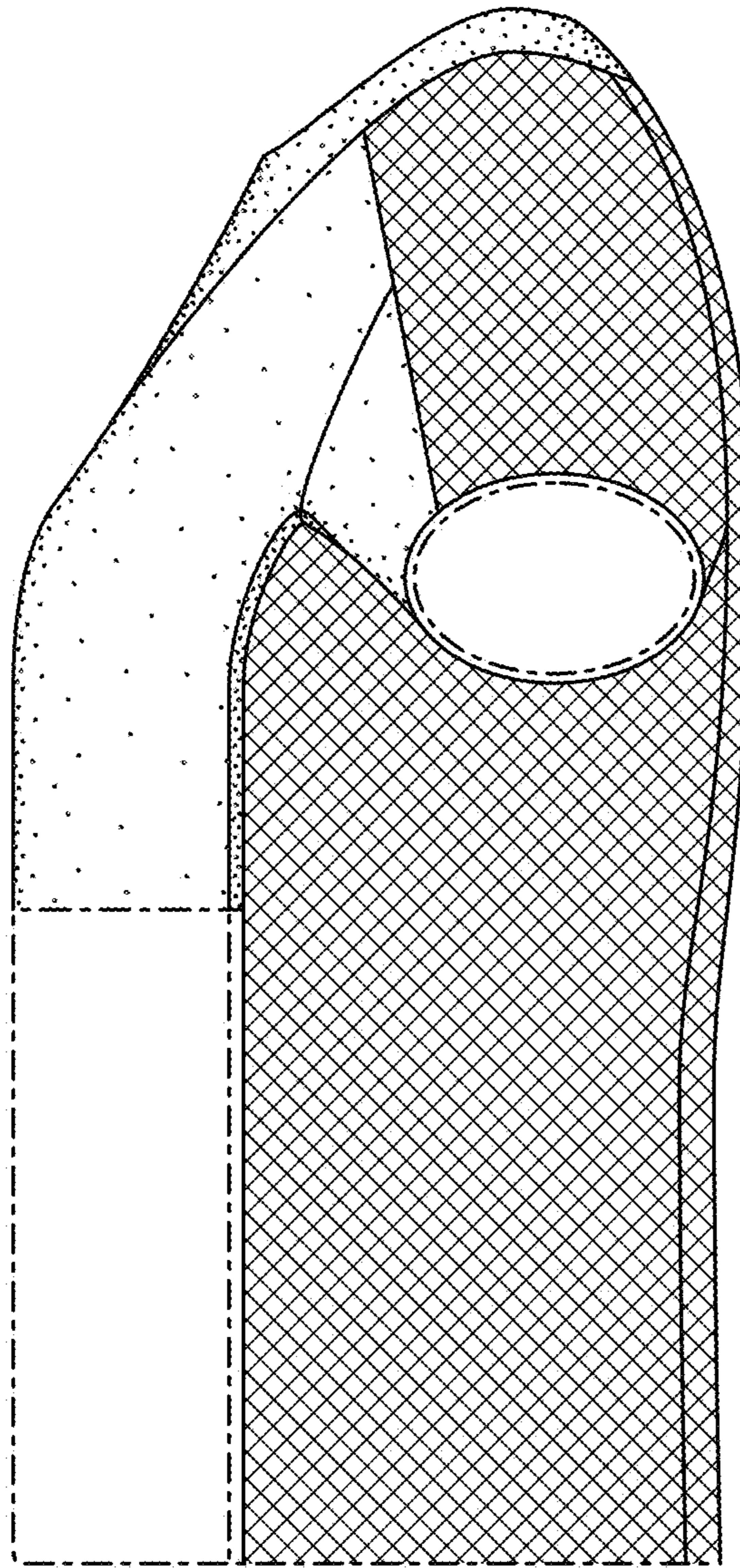


FIG. 5

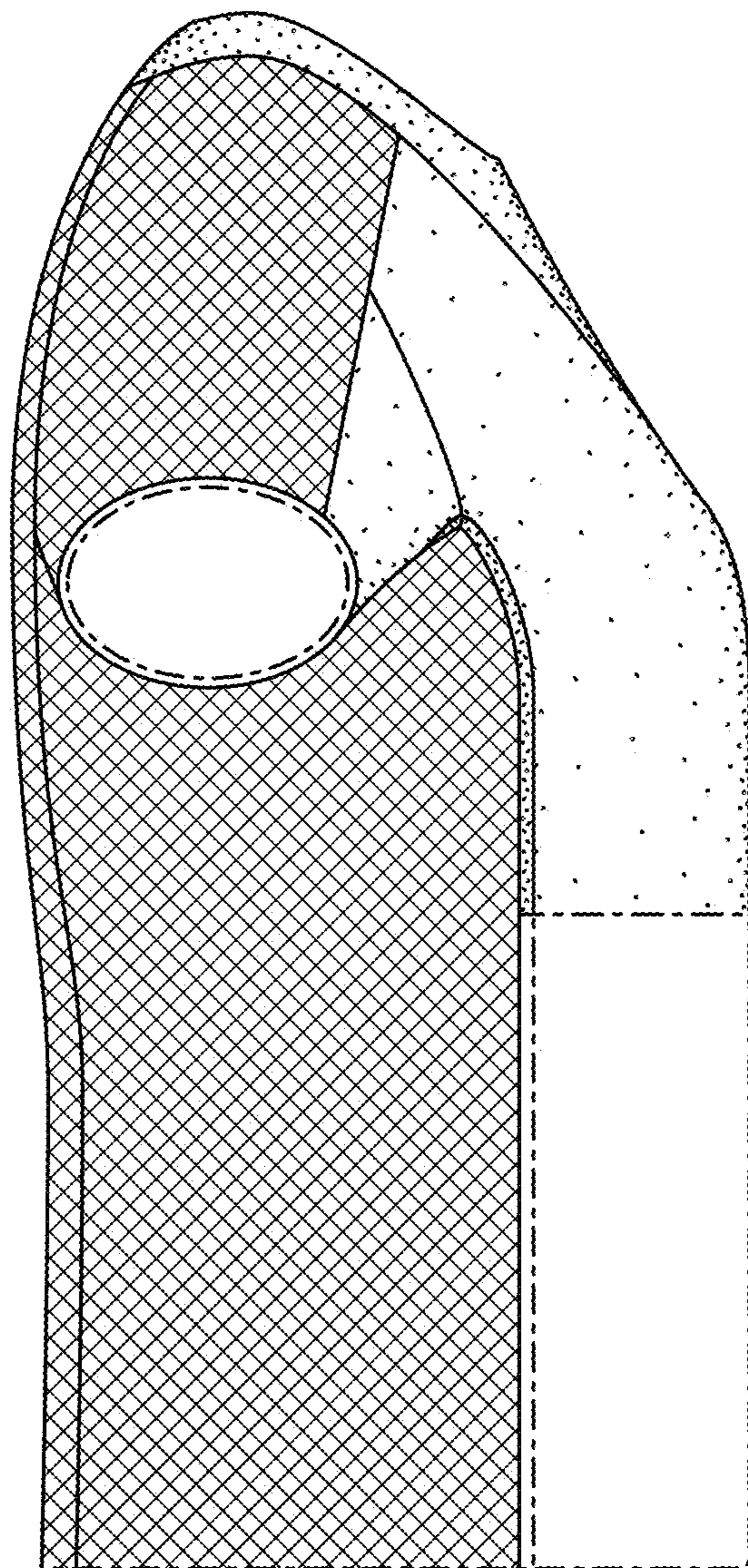


FIG. 6

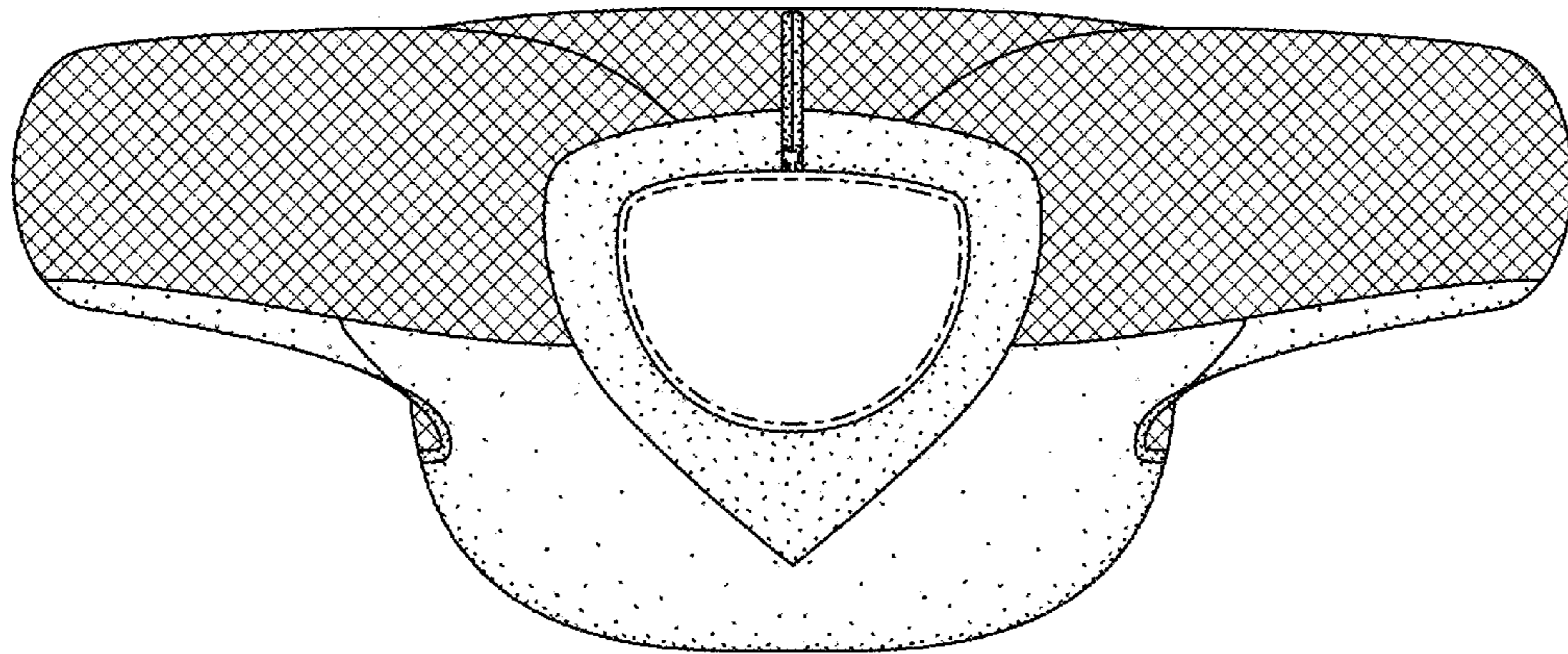


FIG. 7

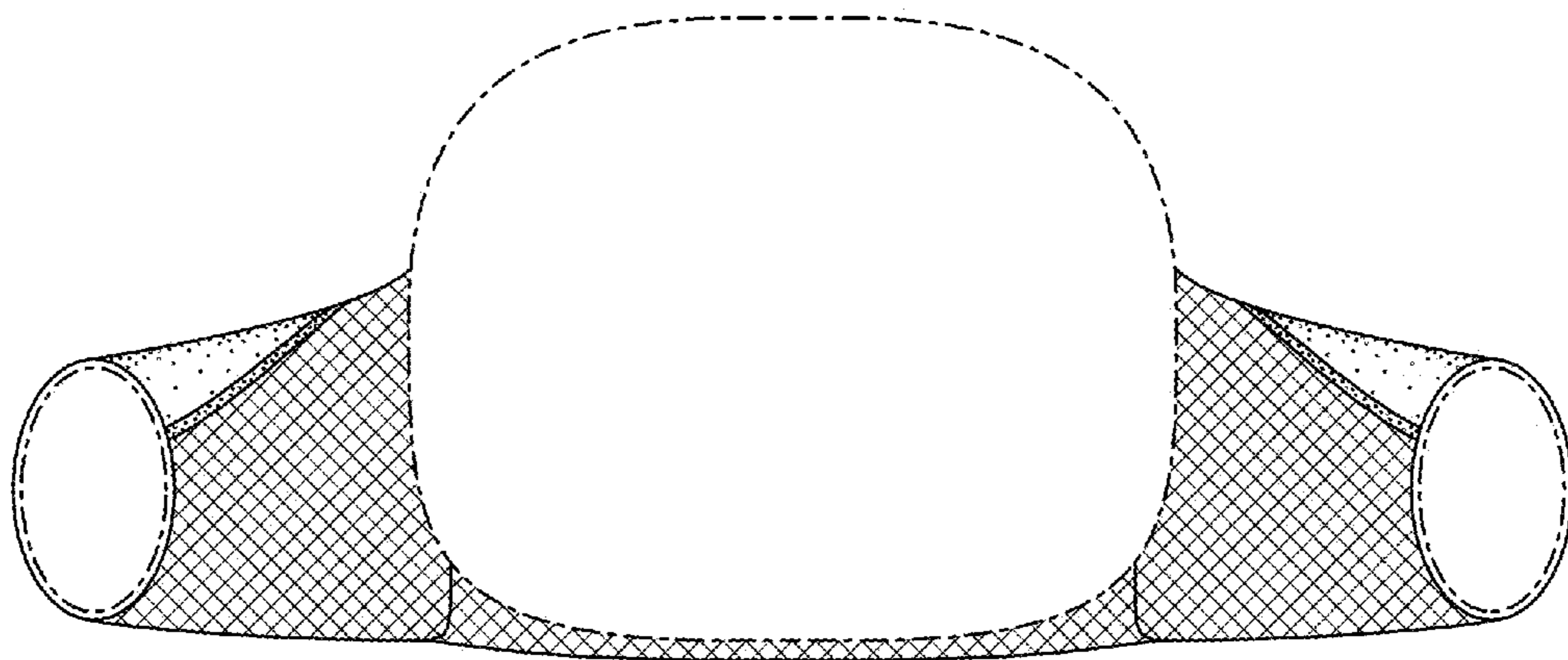


FIG. 8