



US00D779161S

(12) **United States Design Patent**  
**Darmour et al.**

(10) **Patent No.:** **US D779,161 S**  
(45) **Date of Patent:** **\*\* Feb. 21, 2017**

(54) **PANTS**

(71) Applicant: **NIKE, Inc.**, Beaverton, OR (US)

(72) Inventors: **Rob Darmour**, Portland, OR (US); **Jeff Ingram**, Portland, OR (US); **Matthew Millward**, Portland, OR (US)

(73) Assignee: **NIKE, Inc.**, Beaverton, OR (US)

(\*\*) Term: **15 Years**

(21) Appl. No.: **29/553,056**

(22) Filed: **Jan. 28, 2016**

(51) **LOC (10) Cl.** ..... **02-02**

(52) **U.S. Cl.**  
USPC ..... **D2/742**

(58) **Field of Classification Search**  
USPC ..... D2/742, 712, 731, 738; 2/23, 227, 115;  
135/39, 38; 427/421.1  
CPC ..... A41D 1/067; A41D 13/065; A41D 1/08;  
A41D 1/06; A41D 13/0015; A41B 9/02  
See application file for complete search history.

(56) **References Cited**

**U.S. PATENT DOCUMENTS**

671,059 A \* 4/1901 Sanders ..... A41D 1/067  
2/23  
1,654,452 A \* 12/1927 Bradley ..... A41D 13/065  
2/227  
D255,168 S \* 6/1980 Taylor ..... D2/742  
(Continued)

**FOREIGN PATENT DOCUMENTS**

EM 001226310-0019 \* 7/2010  
EM 002804310-0008 \* 10/2015

**OTHER PUBLICATIONS**

Style Flavors' Picks: Good Looking Sweatpants for Day to Night,  
Announced May 8, 2015 [ Site Visited Sep. 21, 2016 ] <http://www>

[styleflavors.com/style-flavors-picks-good-looking-sweatpants-for-day-to-night/](http://styleflavors.com/style-flavors-picks-good-looking-sweatpants-for-day-to-night/).\*

(Continued)

*Primary Examiner* — John Windmuller  
*Assistant Examiner* — Luqman McNeil  
(74) *Attorney, Agent, or Firm* — Banner & Witcoff, Ltd.

(57) **CLAIM**

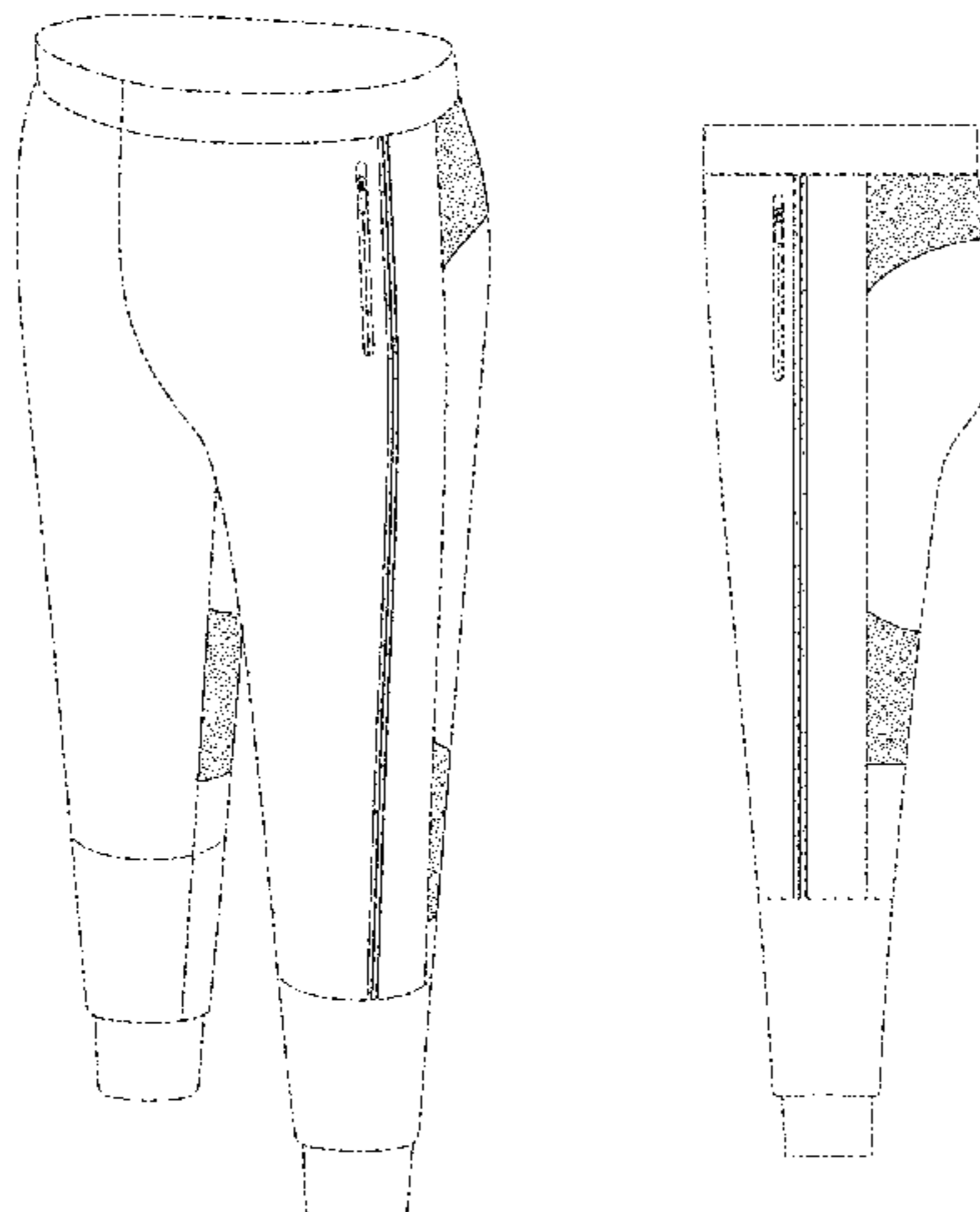
The ornamental design for pants, as shown and described.

**DESCRIPTION**

FIG. 1 is a front perspective view of pants in an un-stretched state showing our new design;  
FIG. 2 is a rear perspective view thereof;  
FIG. 3 is a front view thereof;  
FIG. 4 is a rear view thereof;  
FIG. 5 is a side view thereof;  
FIG. 6 is a second side view thereof;  
FIG. 7 is a top view thereof;  
FIG. 8 is a bottom view thereof;  
FIG. 9 is a front perspective view of pants in a stretched state;  
FIG. 10 is a rear perspective view thereof;  
FIG. 11 is front view thereof;  
FIG. 12 is a rear view thereof;  
FIG. 13 is a side view thereof;  
FIG. 14 is a second side view thereof;  
FIG. 15 is a top view thereof; and,  
FIG. 16 is a bottom view thereof.

The broken lines immediately adjacent to the shaded area represent unclaimed boundaries of the design. The unshaded regions within or adjacent to the shaded area form no part of the claimed design. The broken lines showing the remainder of the pants are for environmental purposes only and form no part of the claimed design. The contrast in shading represents a contrast in appearance only and does not represent any particular color, material, texture, or finish.

**1 Claim, 16 Drawing Sheets**



(56)

References Cited

U.S. PATENT DOCUMENTS

4,470,156 A \* 9/1984 Duerbeck ..... A41D 1/08  
 2/227  
 D292,740 S \* 11/1987 Viola ..... D2/742  
 D300,383 S \* 3/1989 Yasuda ..... D2/742  
 4,914,756 A \* 4/1990 Grassick ..... A41D 1/06  
 2/227  
 D418,966 S \* 1/2000 Walsh ..... D2/712  
 6,047,405 A \* 4/2000 Wilkinson ..... A41D 13/0015  
 2/115  
 D436,713 S \* 1/2001 Doolittle ..... D2/742  
 6,243,879 B1 \* 6/2001 Lyden ..... A41B 9/02  
 2/227  
 D475,836 S \* 6/2003 Rohach ..... D2/742  
 D518,624 S \* 4/2006 Zimmerman ..... D2/742  
 D540,509 S \* 4/2007 Zimmerman ..... D2/742  
 D542,508 S \* 5/2007 Zimmerman ..... D2/742  
 D572,434 S \* 7/2008 Yeates ..... D2/742  
 D584,030 S \* 1/2009 Ramierez ..... D2/742  
 D612,581 S \* 3/2010 Ramirez ..... D2/742  
 D635,331 S \* 4/2011 Eckman ..... D2/742  
 D661,466 S \* 6/2012 Taft ..... D2/743  
 D679,481 S \* 4/2013 Fuerst ..... D2/742  
 D683,522 S \* 6/2013 Pasloski ..... D2/731  
 D693,989 S \* 11/2013 Tanaka ..... D2/742  
 D701,674 S \* 4/2014 Denning ..... D2/712

D702,921 S \* 4/2014 Holmes ..... D2/742  
 D730,016 S \* 5/2015 Murphy ..... D2/738  
 D739,643 S \* 9/2015 Borovicka ..... D2/738  
 D743,671 S \* 11/2015 Walter ..... D2/738  
 D744,196 S \* 12/2015 Borovicka ..... D2/738  
 D746,545 S \* 1/2016 Kositchiranant ..... D2/742  
 2013/0047318 A1 \* 2/2013 Grate ..... A41D 1/06  
 2/227

OTHER PUBLICATIONS

Sarouel Jogger Sweatpants for Men with Leather Knee Patch, Announced Jun. 18, 2015 [ Site Visited Sep. 21, 2016 ] <http://urbansapes.com/sarouel-jogger-sweatpants-for-men-with-leather-knee-patch-sw9765.html>.\*  
 Chicago Bulls Drive Zip Tear Away Pants—Gray, Announced Dec. 16, 2013 [ Site Visited Sep. 25, 2016 ] [http://store.nba.com/catalog/product/Chicago\\_Bulls\\_Drive\\_Zip\\_Tear\\_Away\\_Pants\\_-\\_Gray](http://store.nba.com/catalog/product/Chicago_Bulls_Drive_Zip_Tear_Away_Pants_-_Gray).\*  
 U.S. Appl. No. 29/526,470, filed May 8, 2015, by inventors Stuart McArthur, Rex Morgan, Lee Murphy, Anne Roullier and Fiona Taylor.  
 U.S. Appl. No. 29/526,468, filed May 8, 2015, by inventors Stuart McArthur, Rex Morgan, Lee Murphy, Anne Roullier and Fiona Taylor.

\* cited by examiner

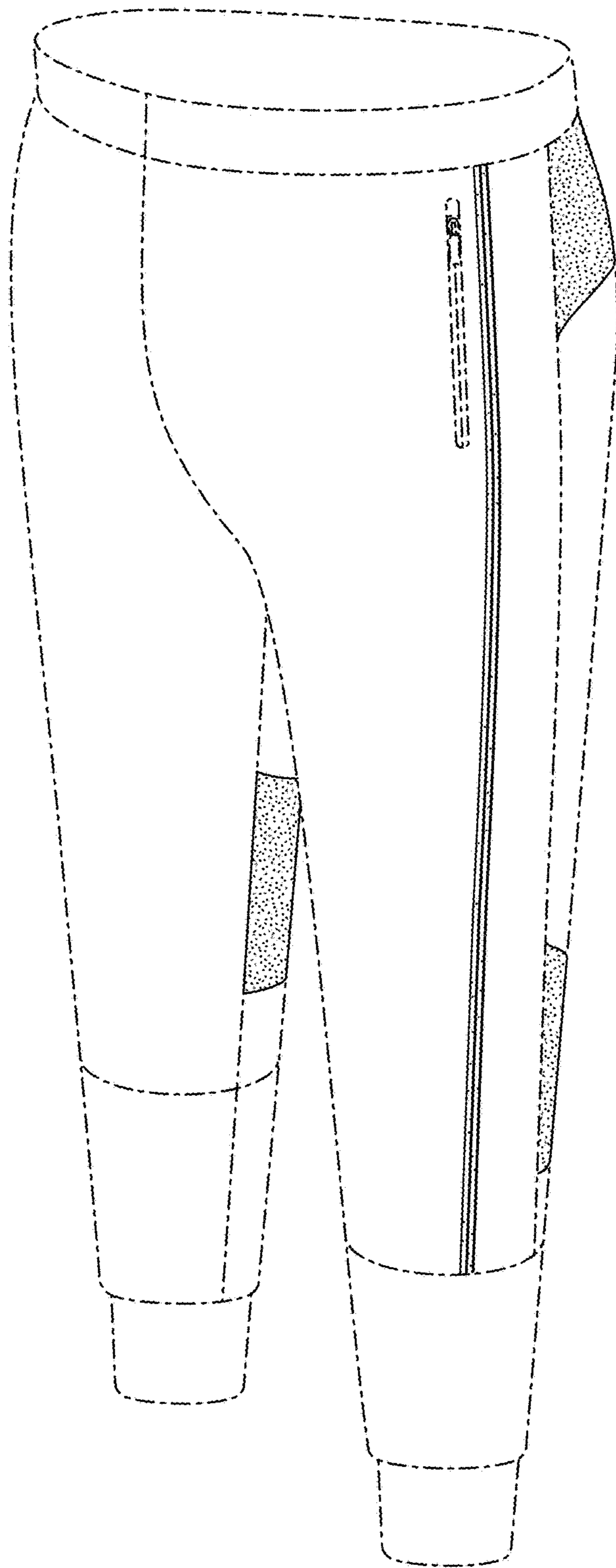


FIG. 1

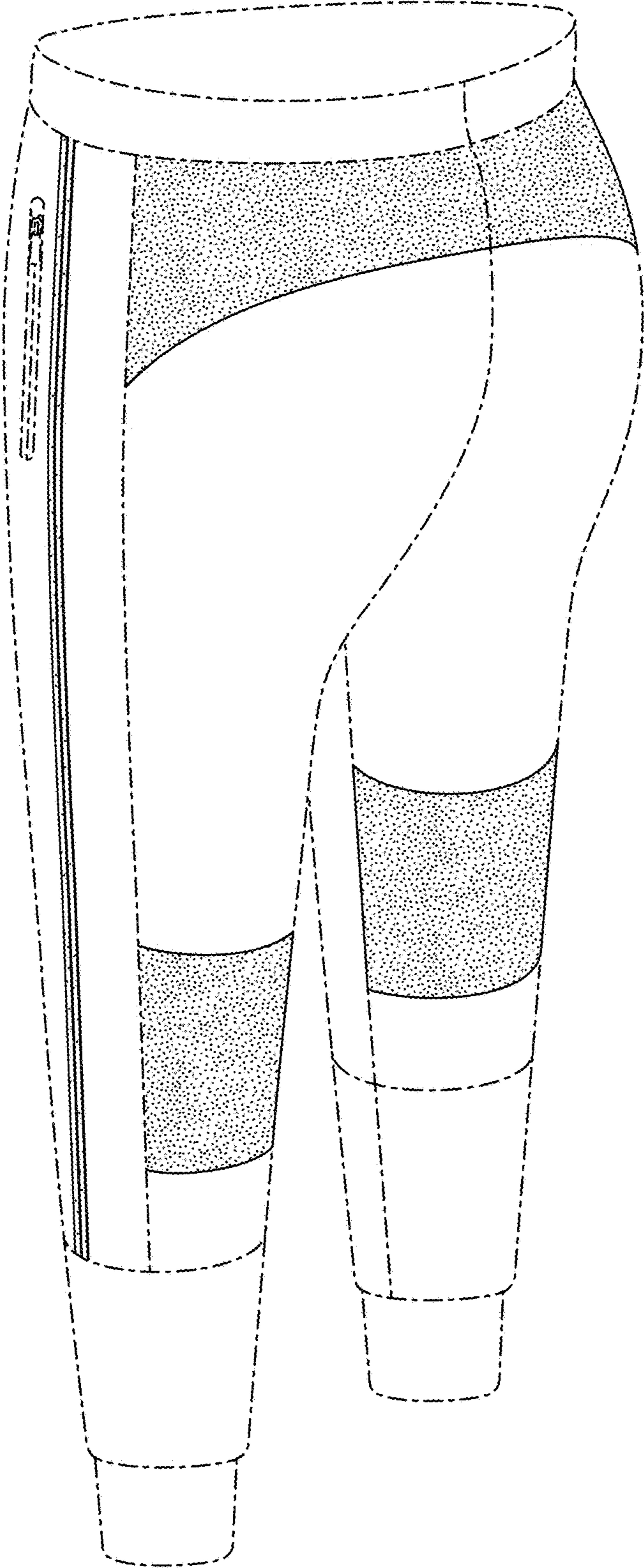


FIG. 2

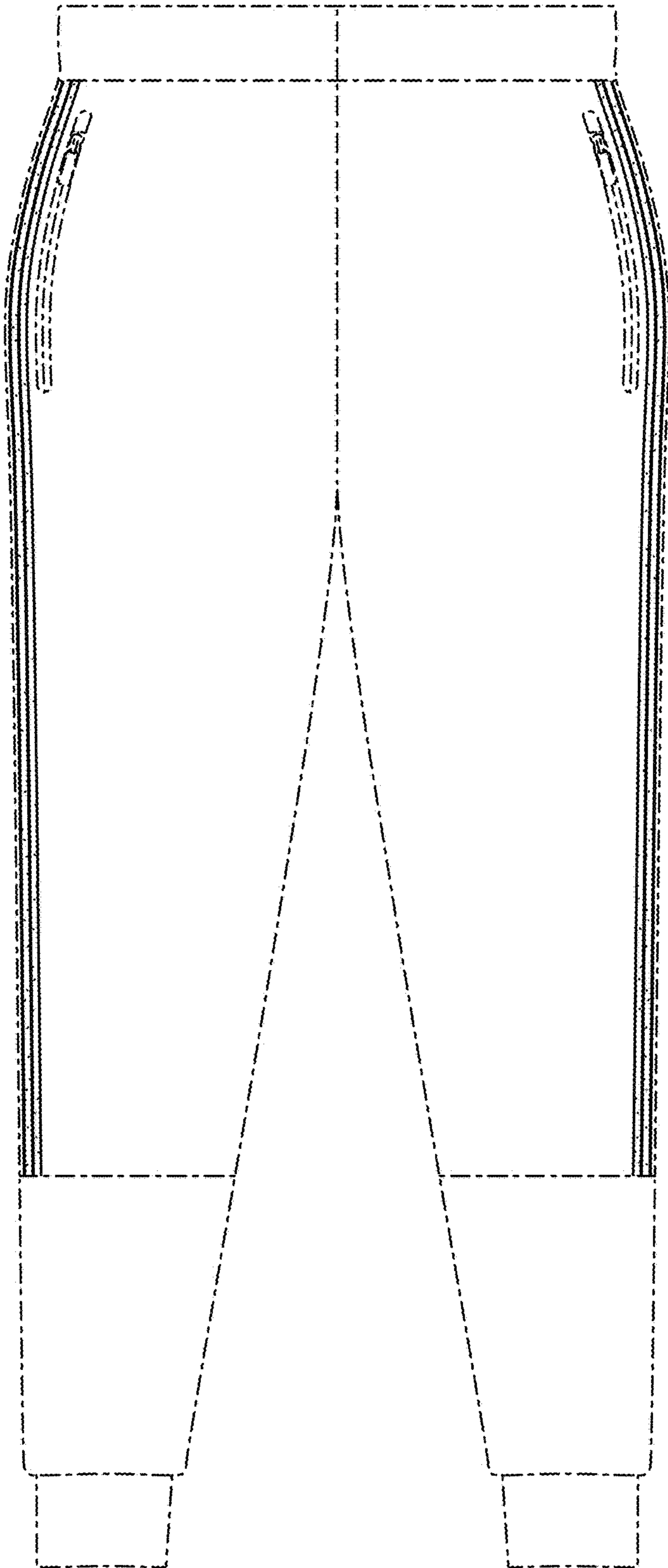


FIG. 3

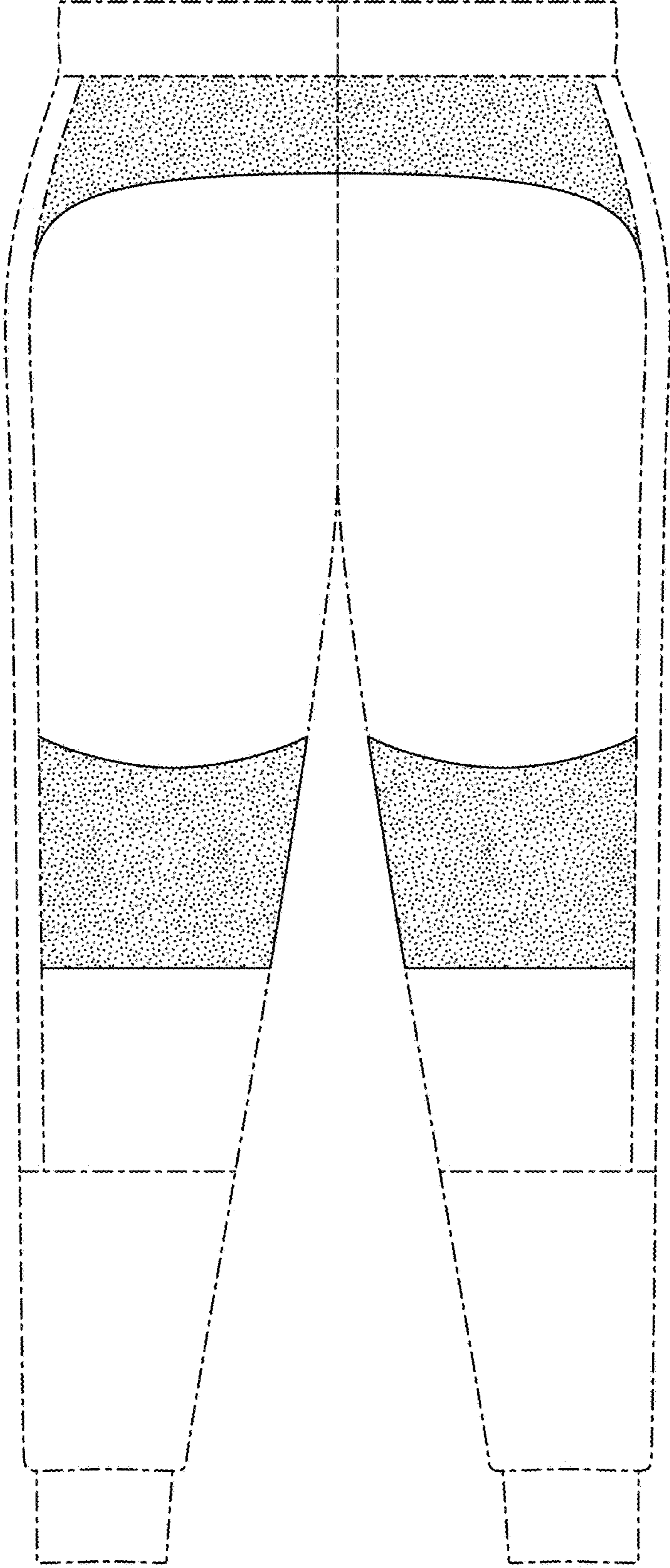


FIG. 4

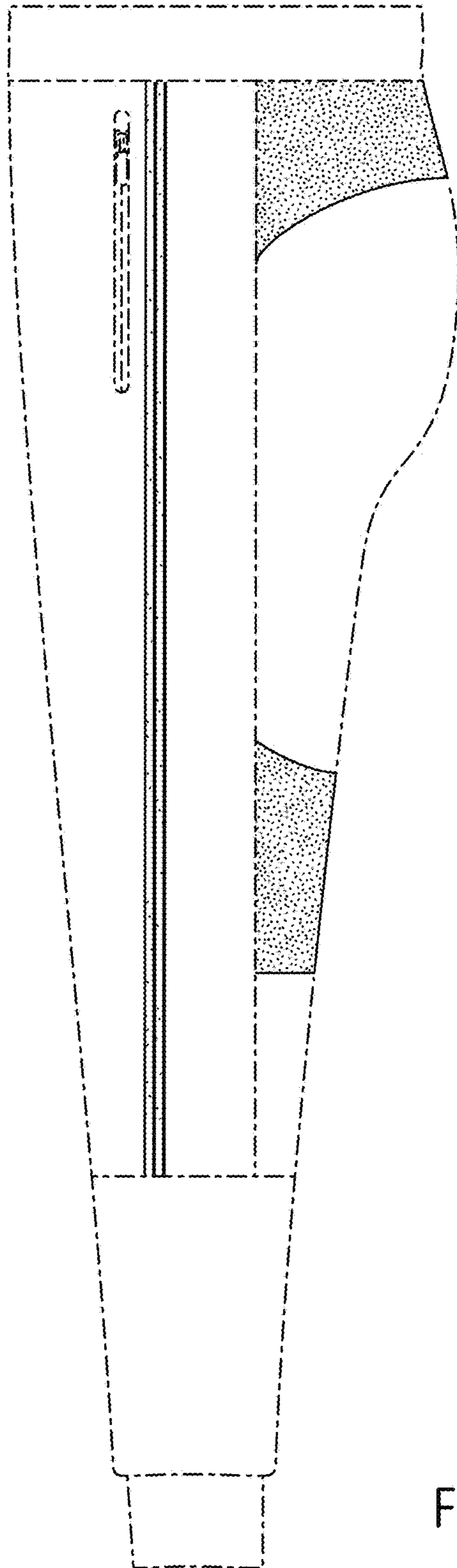


FIG. 5

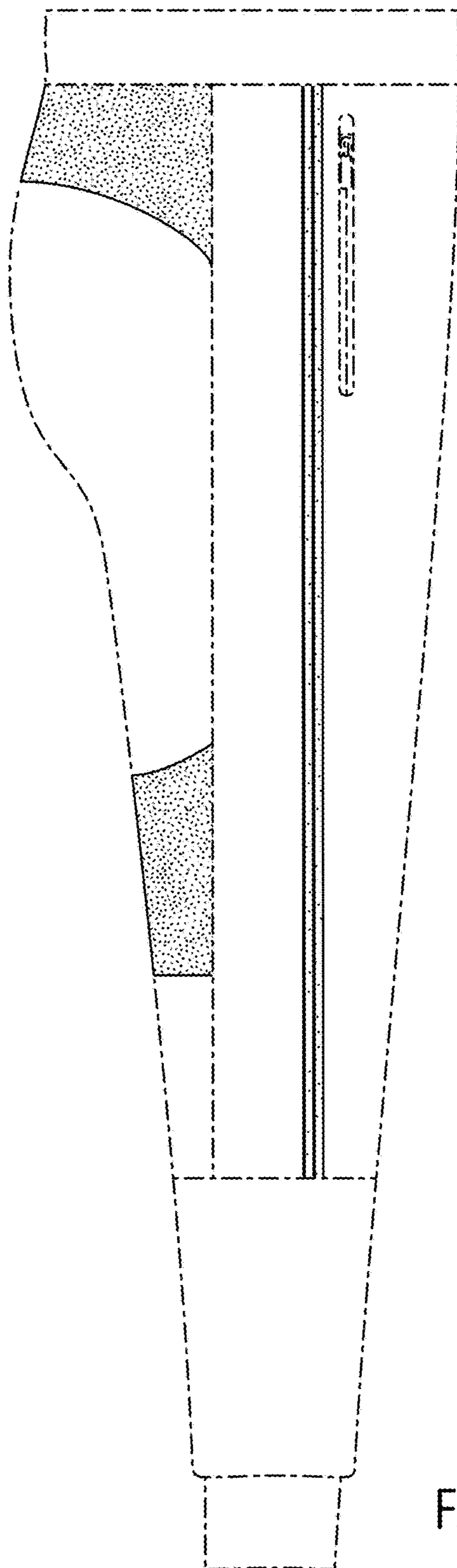


FIG. 6



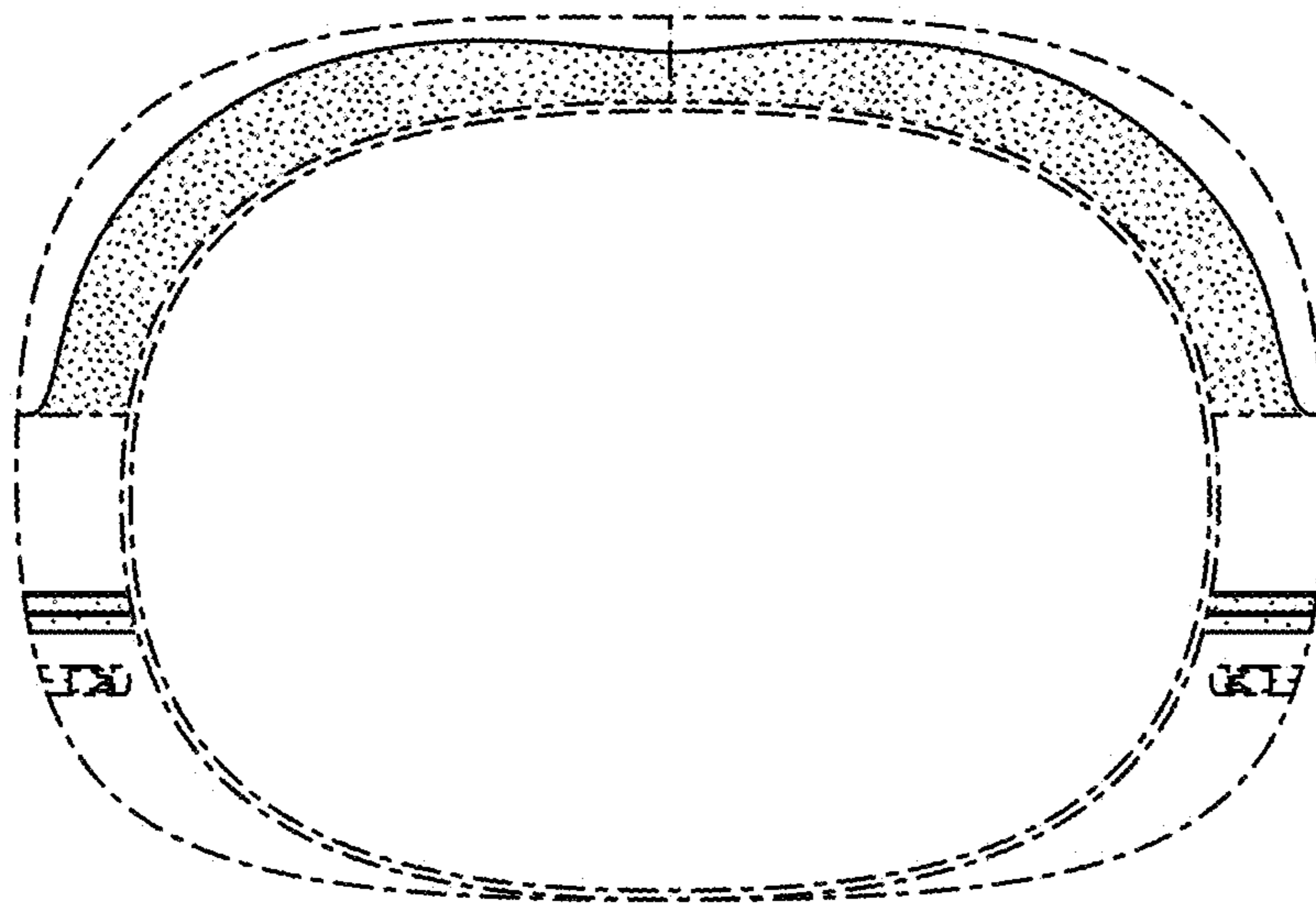


FIG. 7

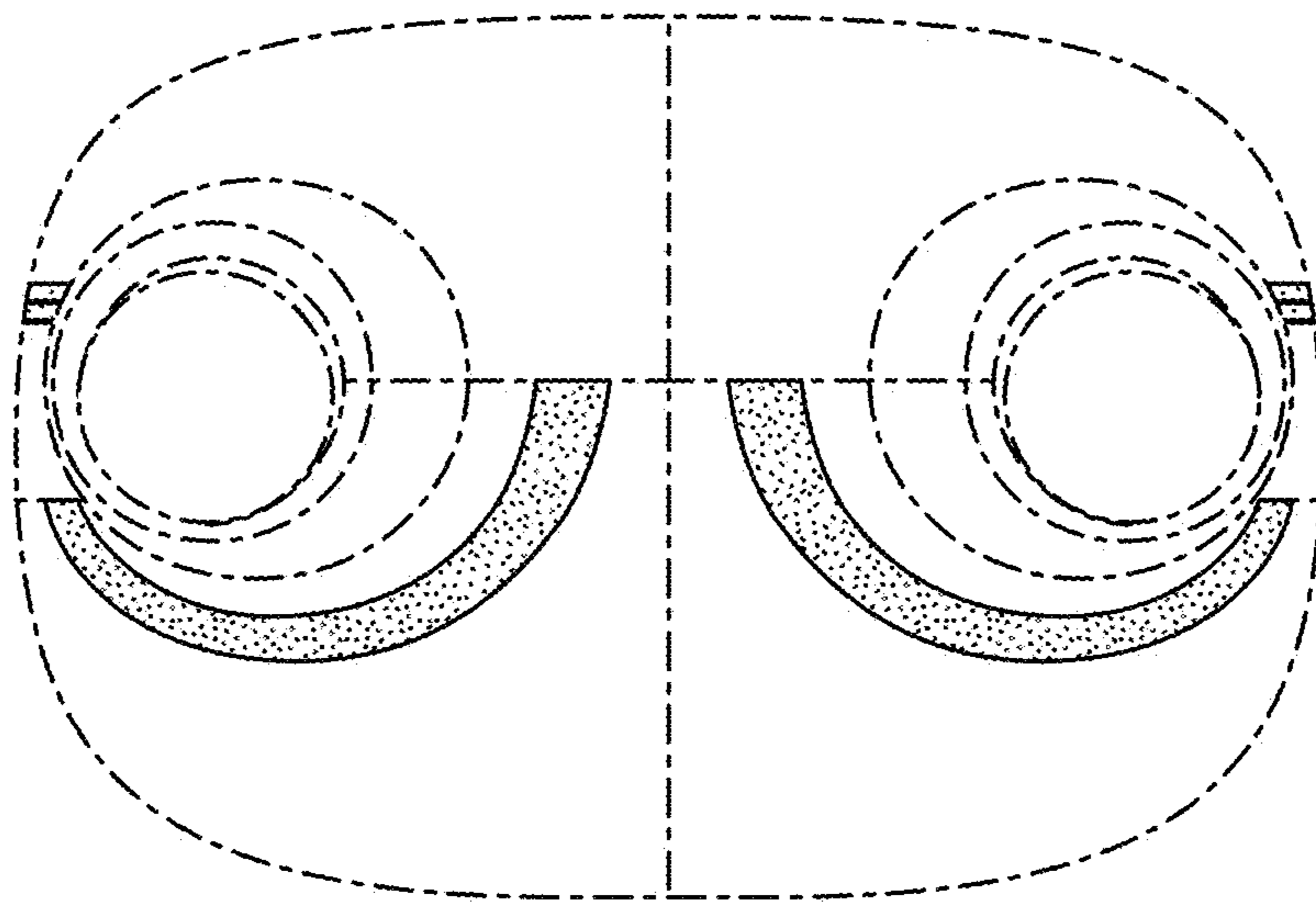


FIG. 8

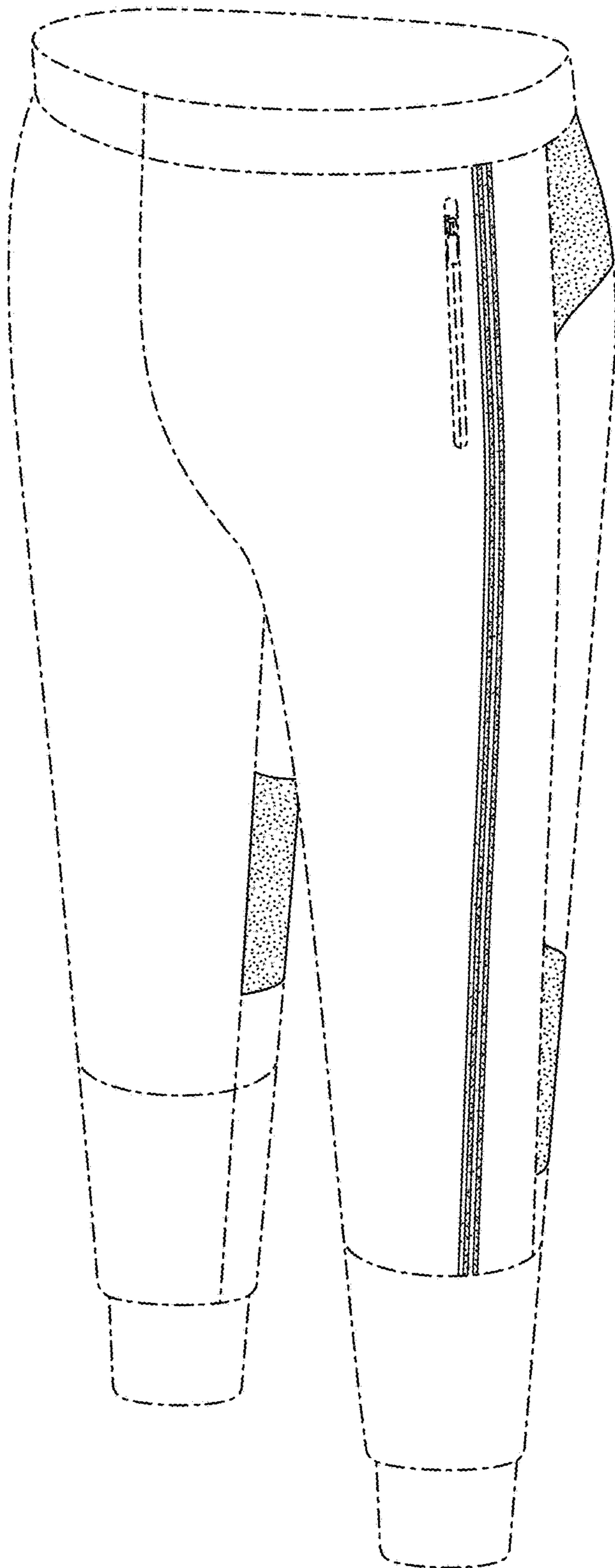


FIG. 9

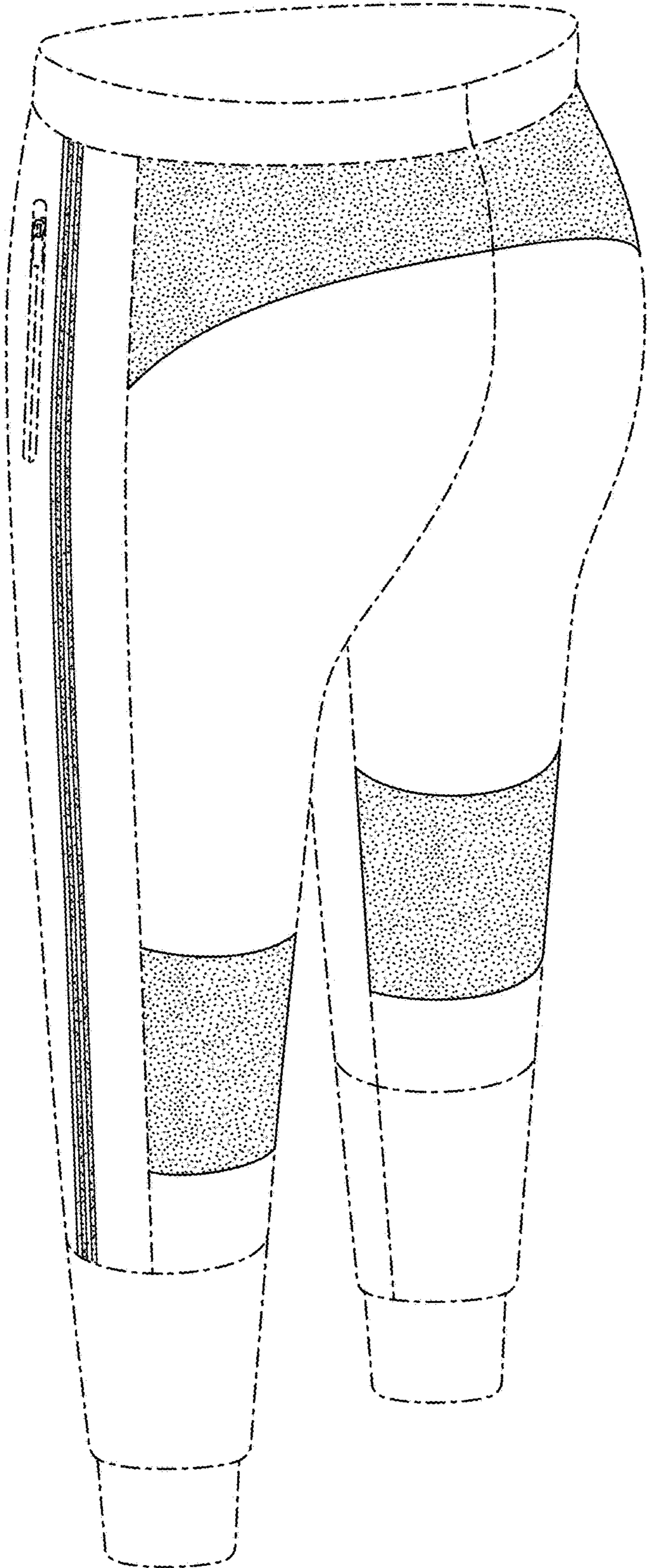


FIG. 10

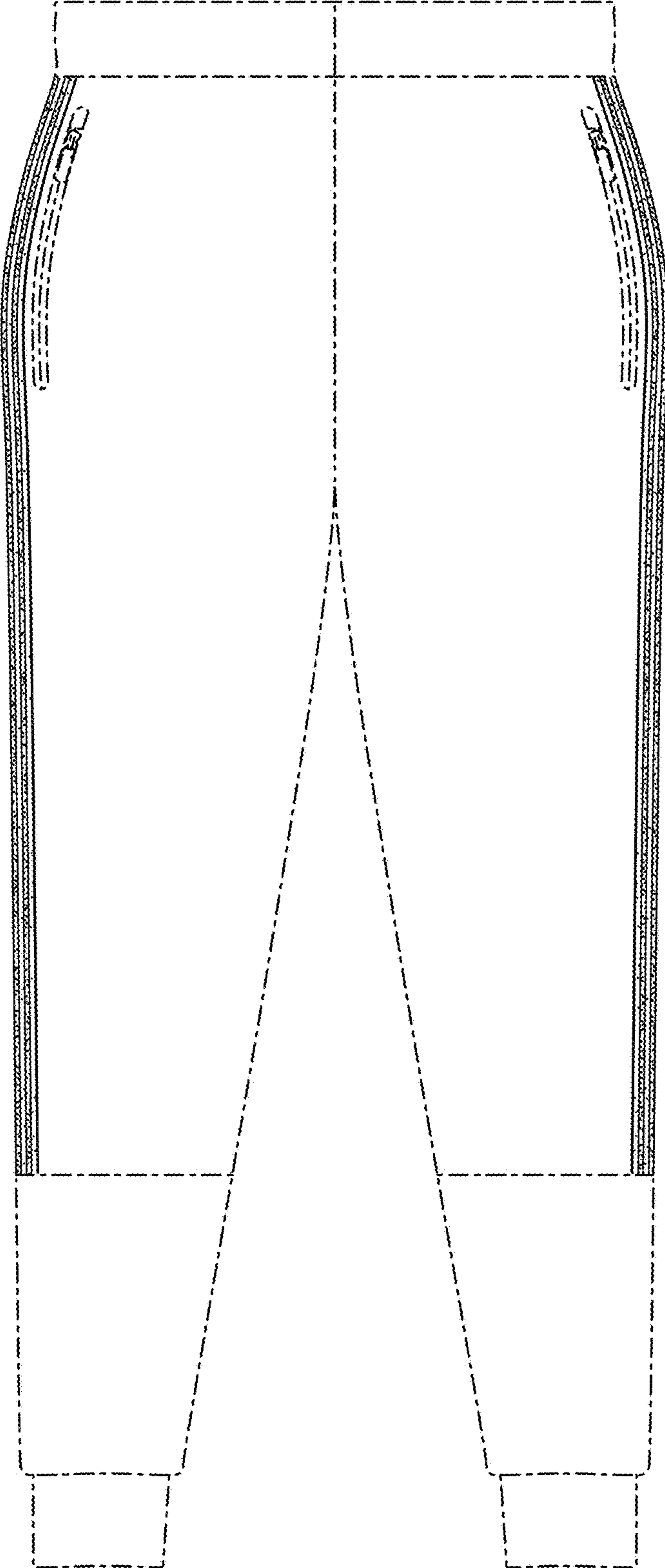


FIG. 11

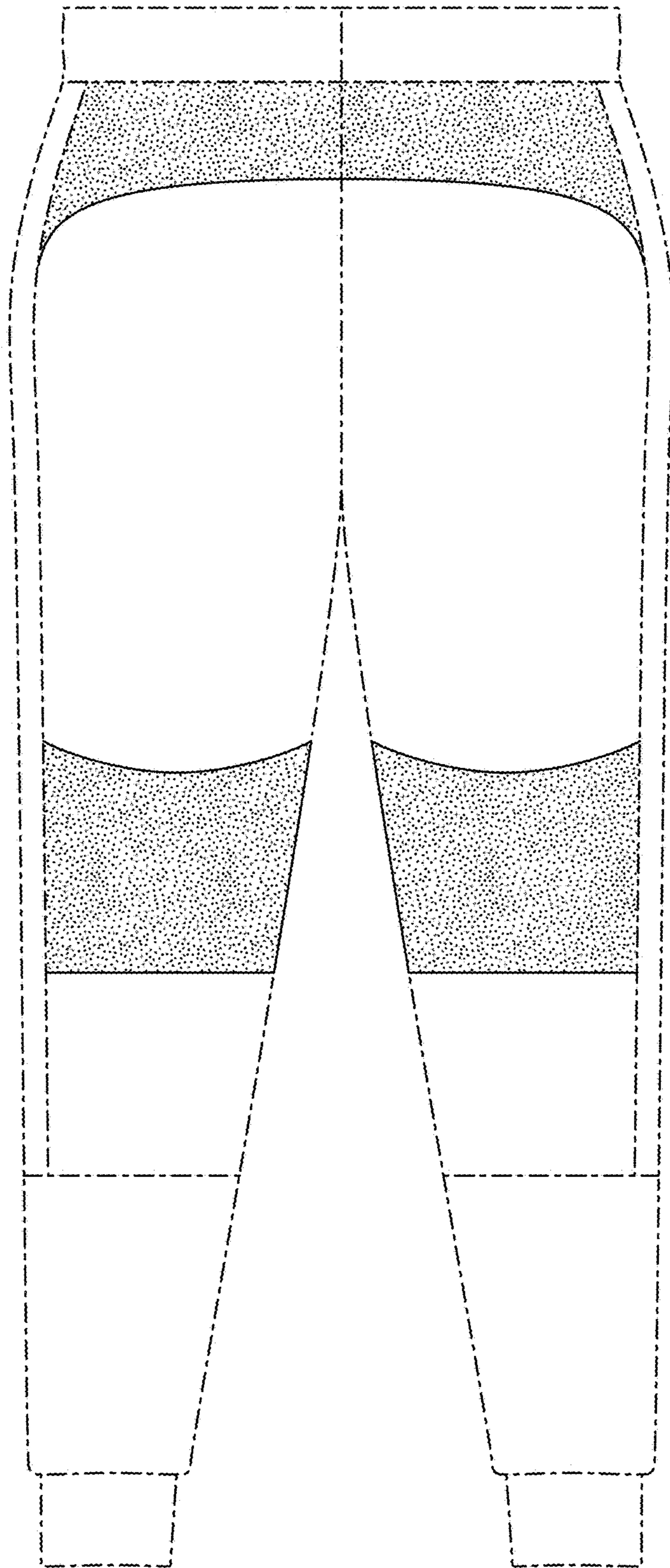


FIG. 12

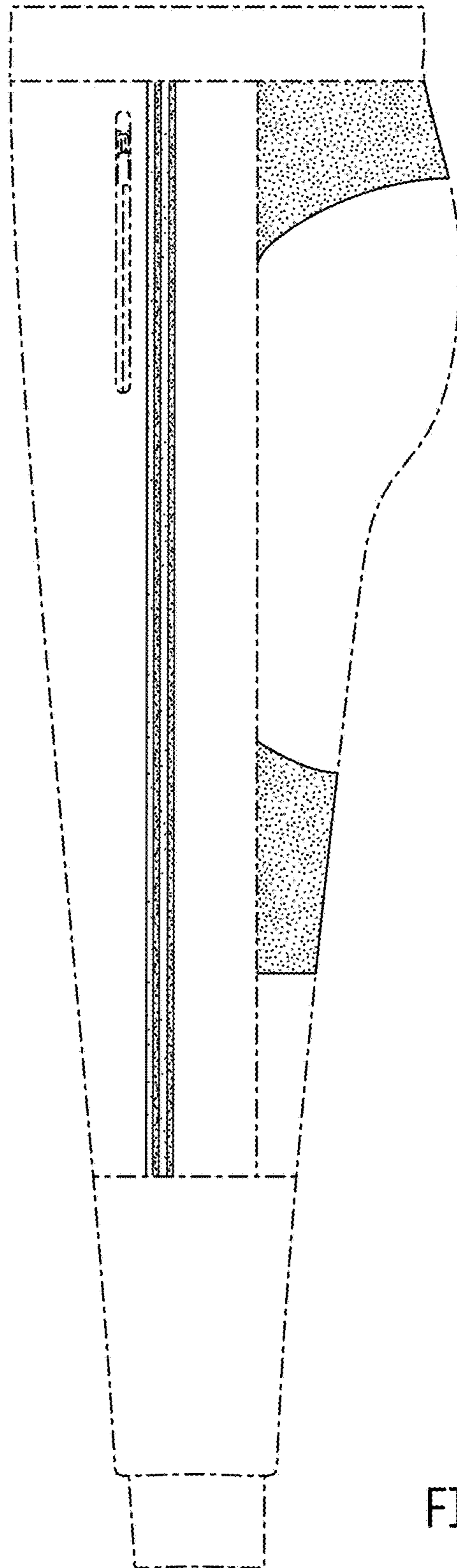


FIG. 13

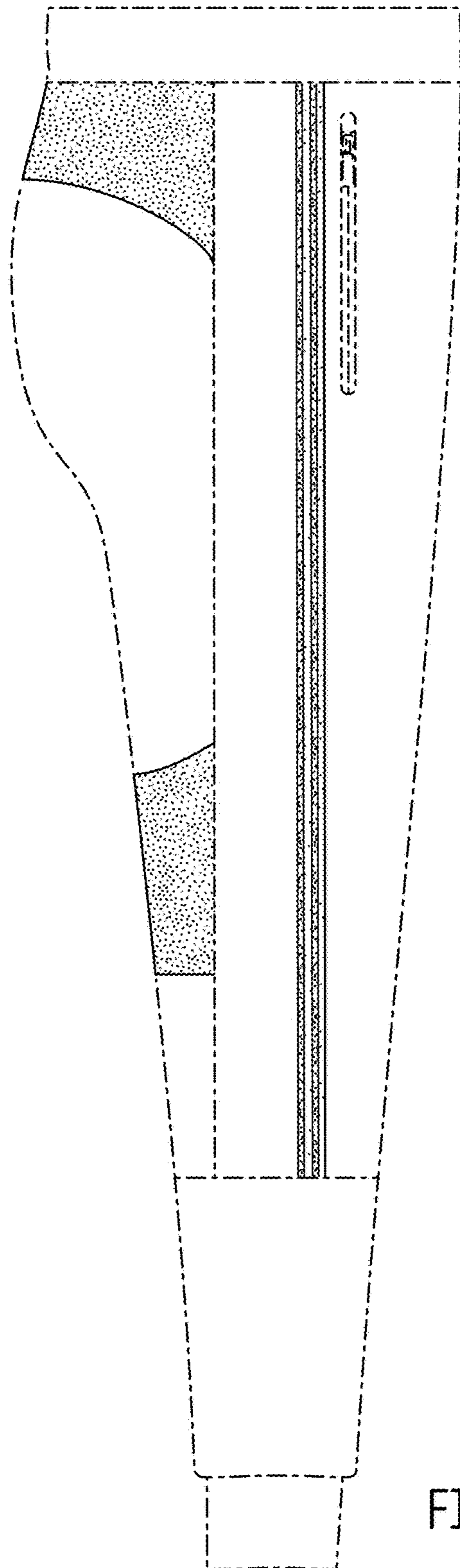


FIG. 14



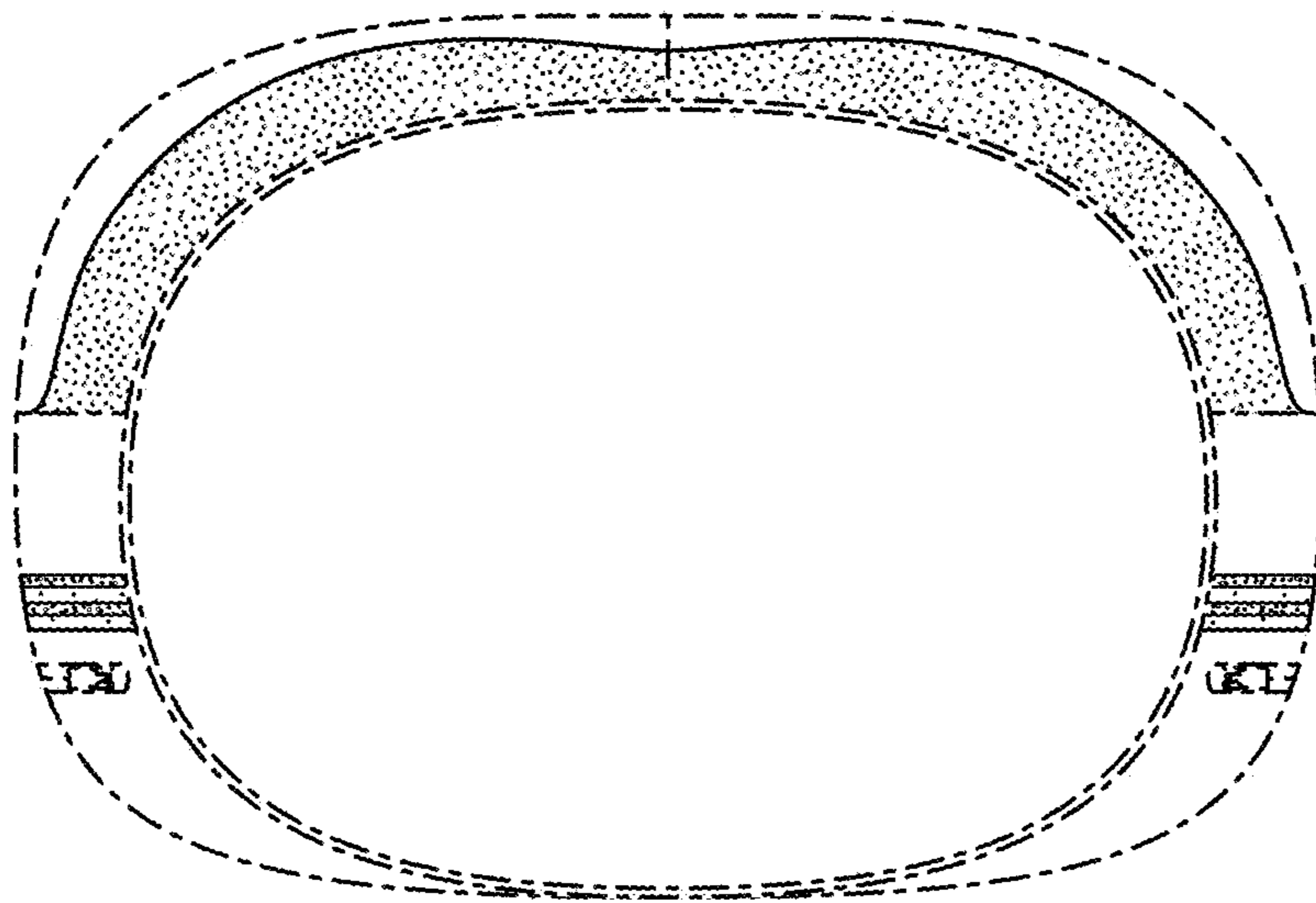


FIG. 15

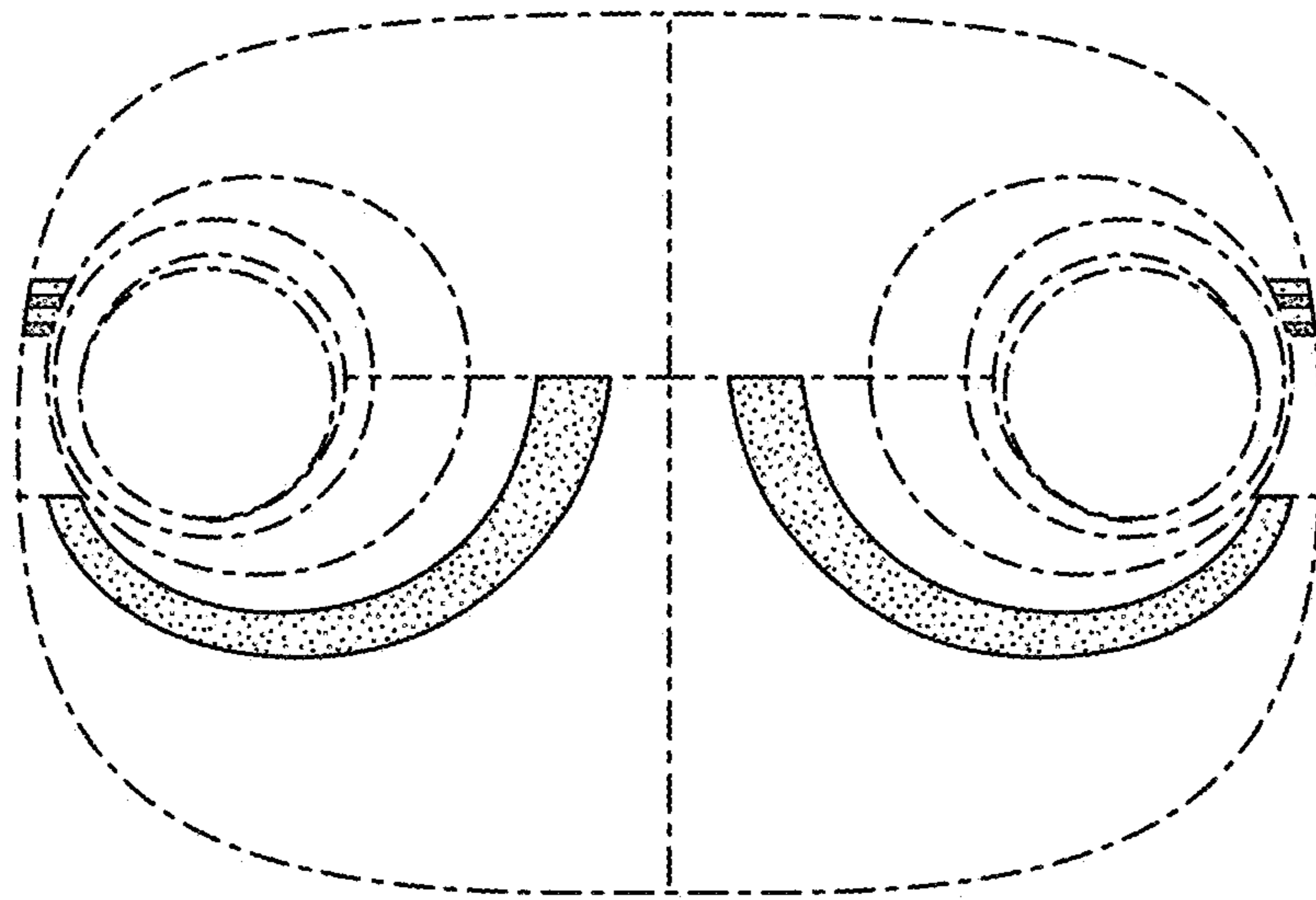


FIG. 16