



US00D779160S

(12) **United States Design Patent** (10) **Patent No.:** **US D779,160 S**
Wu (45) **Date of Patent:** **** Feb. 21, 2017**

(54) **TROUSERS WITH SELVAGE**
(71) Applicant: **Guangzhou Zengcheng Guangying Garment Co., Ltd**, Guangzhou (CN)
(72) Inventor: **Yixiong Wu**, Guangzhou (CN)
(73) Assignee: **GUANGZHOU ZENGCHENG GUANGYING GARMENT CO., LTD.**, Guangzhou (CN)

Primary Examiner — John Windmuller
Assistant Examiner — Luqman McNeil
(74) *Attorney, Agent, or Firm* — Dennemeyer & Associates, LLC.

(**) Term: **14 Years**
(21) Appl. No.: **29/513,958**

(57) **CLAIM**
The ornamental design for trousers with selvage, as shown and described.

(22) Filed: **Jan. 7, 2015**
(30) **Foreign Application Priority Data**
Jul. 7, 2014 (CN) 2014 3 0224976
(51) **LOC (10) Cl.** **02-02**
(52) **U.S. Cl.**
USPC **D2/742**
(58) **Field of Classification Search**
USPC D2/742, 857; 2/227, 115, 93, 69, 70, 234
(Continued)

DESCRIPTION

The patent or application file contains at least one drawing executed in color. Copies of this patent or patent application publication with color drawing(s) will be provided by the Office upon request and payment of the necessary fee.
FIG. 1 is a front perspective view drawing of the trousers with selvage in accordance with the present invention;
FIG. 2 is a rear elevational view drawing thereof;
FIG. 3 is a front perspective view drawing, of a segment of FIG. 1, to show details of a line of stitching on the selvage thereof;
FIG. 4 is a rear elevational view drawing, of a segment of FIG. 2 to show the line of stitching on the selvage thereof;
FIG. 5 is a front perspective view of a second embodiment of the trousers with selvage in accordance with the present invention;
FIG. 6 is a rear elevational view of the second embodiment thereof;
FIG. 7 is a front perspective view, of a segment of FIG. 5, to show details of a red line of stitching on the trousers with selvage of the present design; and,
FIG. 8 is a rear elevational view, of a segment of FIG. 6 to show the red line of stitching on the selvage thereof.
The broken lines in the trousers are included for purposes of illustrating environment that form no part of the claimed design; the stitch line within the selvage of the trousers represents claimed subject matter.
The break lines in FIGS. 3, 4, 7 and 8 form no part of the claimed design.

(56) **References Cited**
U.S. PATENT DOCUMENTS
D339,220 S * 9/1993 Buziol D2/742
D392,085 S * 3/1998 Head D2/742
(Continued)

FOREIGN PATENT DOCUMENTS
CN 3179599 * 3/2001
EM 000807417-0003 * 12/2007

OTHER PUBLICATIONS
100 Denim and Jeans Trends for 2013—Womens Designer, Announced Aug. 14, 2013, [Site Visited Mar. 16, 2016] http://www.elle.com/fashion/trend-reports/news/g8061/fall-2013-denim/?slide=1.*

(Continued)

1 Claim, 8 Drawing Sheets
(4 of 8 Drawing Sheet(s) Filed in Color)



- (58) **Field of Classification Search**
 CPC A41D 27/08; A41D 1/00; A41D 1/06;
 A41D 1/067; A41D 27/20; A41D 15/002;
 A41D 15/005
 See application file for complete search history.

(56) **References Cited**

U.S. PATENT DOCUMENTS

5,956,775 A * 9/1999 Ezra A41D 27/08
 2/227
 D437,102 S * 2/2001 Korff D2/742
 6,421,831 B1 * 7/2002 Korff A41D 1/00
 2/115
 D483,924 S * 12/2003 Morisset D2/742
 D491,712 S * 6/2004 Morisset D2/742
 D511,606 S * 11/2005 Caucci D2/742
 D527,866 S * 9/2006 Fixel D2/742
 D534,709 S * 1/2007 Dipietro D2/742
 D572,431 S * 7/2008 Peters D2/742
 D586,084 S * 2/2009 Mendoza D2/742
 D588,782 S * 3/2009 Rudes D2/742
 D589,680 S * 4/2009 Escoto D2/742
 7,543,338 B2 * 6/2009 Culhane A41D 1/067
 2/93
 D600,429 S * 9/2009 Mackintosh D2/742
 D606,284 S * 12/2009 Caten D2/742
 D613,039 S * 4/2010 Viola D2/742
 D616,630 S * 6/2010 Christiansen D2/742
 D620,687 S * 8/2010 Lubell D2/742
 7,926,122 B1 * 4/2011 Countryman A41D 1/06
 2/227
 D647,689 S * 11/2011 Girbaud D2/742
 D648,100 S * 11/2011 Rivetti D2/857

D656,299 S * 3/2012 Peters D2/742
 D663,922 S * 7/2012 Karik D2/742
 D679,890 S * 4/2013 Persaud D2/742
 D686,800 S * 7/2013 Kelly D2/742
 D705,519 S * 5/2014 Meyer D2/742
 D710,069 S * 8/2014 Grotto D2/742
 2007/0136930 A1 * 6/2007 Dipietro A41D 1/06
 2/227
 2010/0299804 A1 * 12/2010 Huang A41D 1/06
 2/93
 2011/0185470 A1 * 8/2011 Jones A41D 27/20
 2/69
 2013/0125287 A1 * 5/2013 Boyle A41D 15/002
 2/70
 2013/0219589 A1 * 8/2013 Jones A41D 15/005
 2/227
 2014/0150166 A1 * 6/2014 Hall A41D 1/06
 2/227
 2014/0165265 A1 * 6/2014 Tulin A41D 1/06
 2/234

OTHER PUBLICATIONS

Carhartt Washed Duck Worth Pants (For Men), Announced Mar. 3, 2013, [Site Visited Mar. 16, 2016] <http://www.sierratradingpost.com/carhartt-washed-duck-work-pants-for-men-p-22312/>.
 Hot New Men's Jeans Men's Pants for sale, Announced Mar. 18, 2014, [Site Visited Mar. 16, 2016] <http://www.ioffer.com/i/hot-new-men-s-jeans-men-s-pants-567689649>.
 Thefrencharmitagearmy; Styling Issues, Announced Feb. 26, 2013, [Site Visited Mar. 16, 2016] <https://thefrencharmitagearmy.wordpress.com/category/styling-issues/>.

* cited by examiner

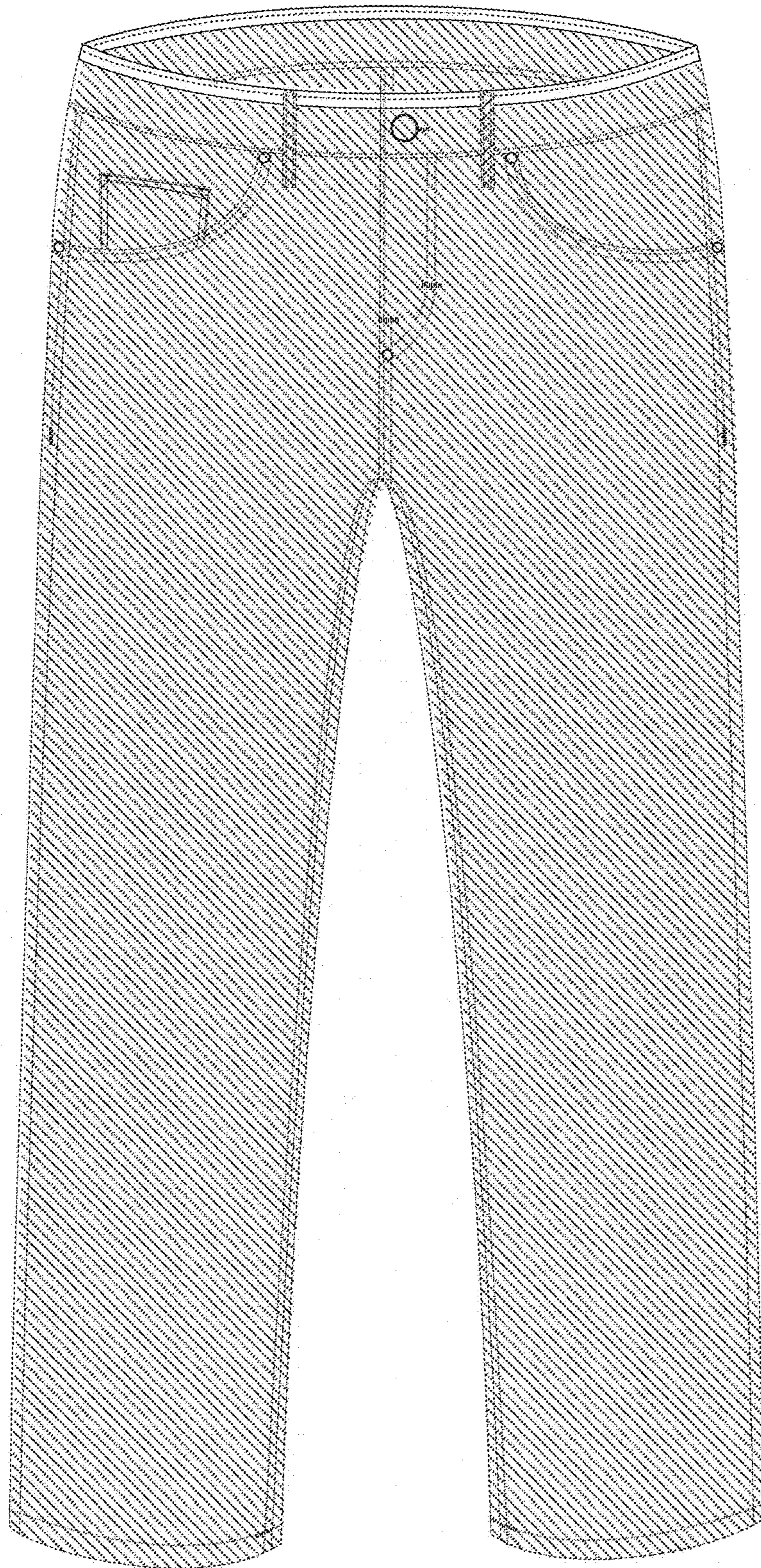


FIG. 1

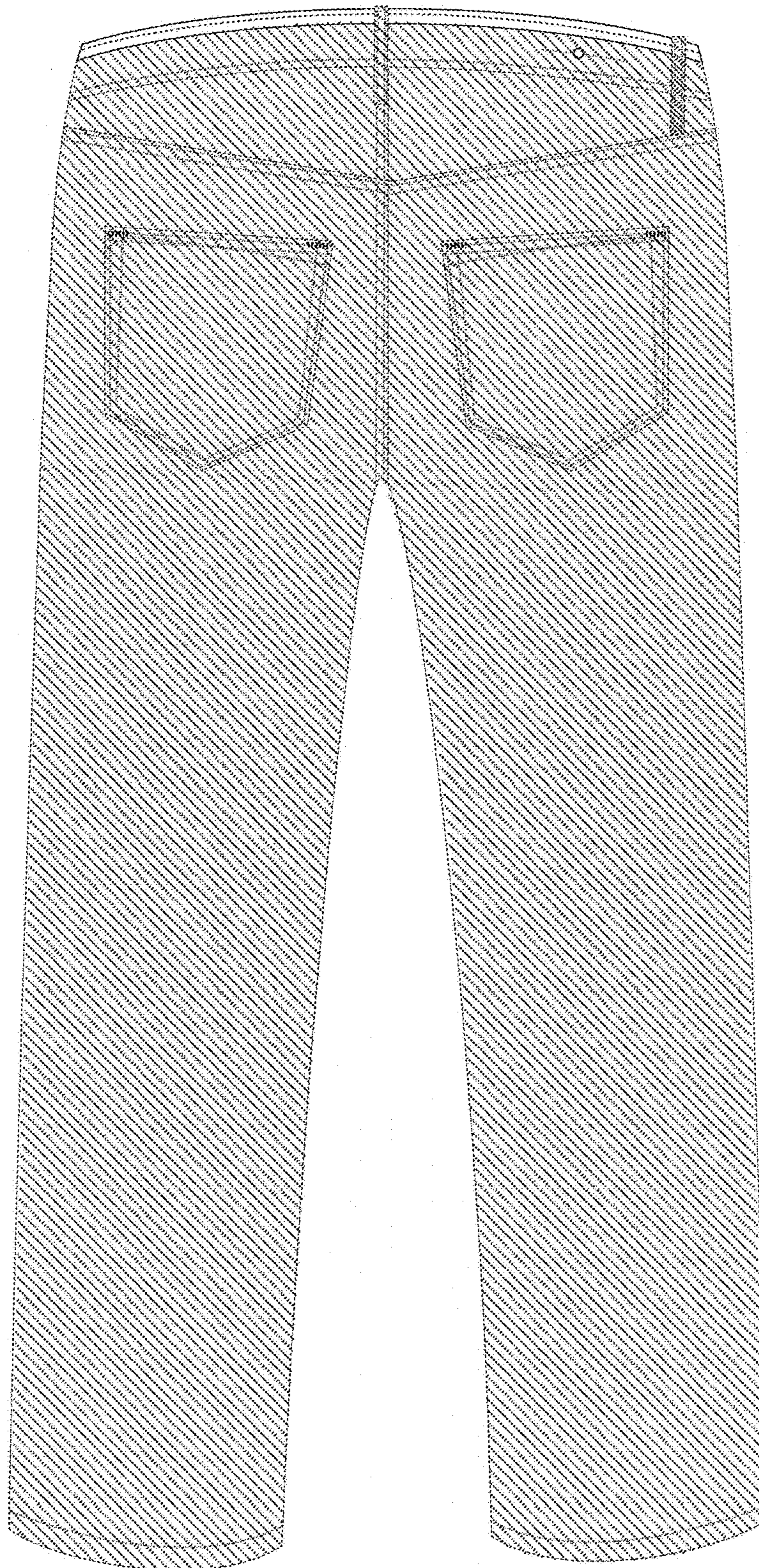


FIG. 2

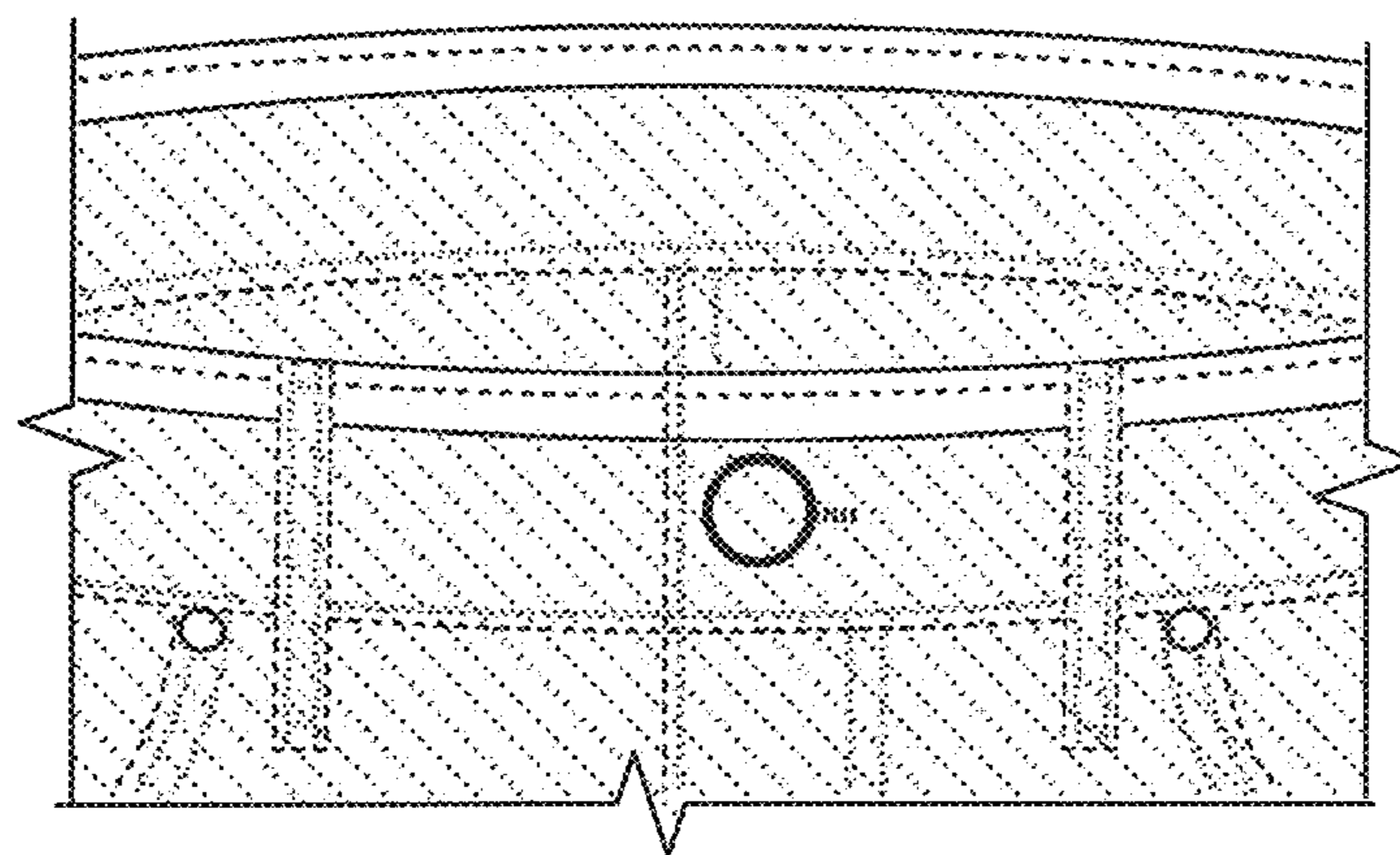


FIG. 3

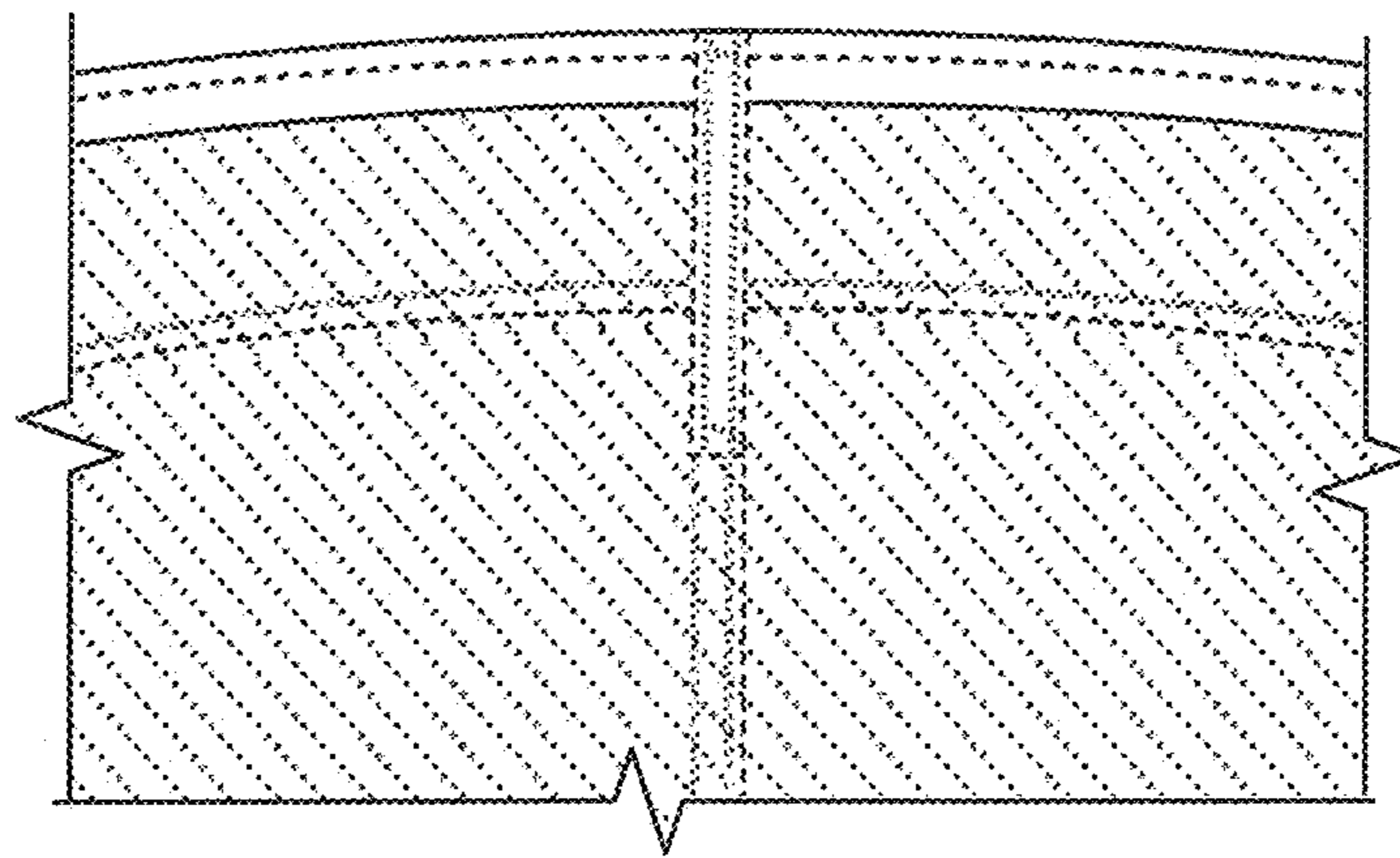


FIG. 4

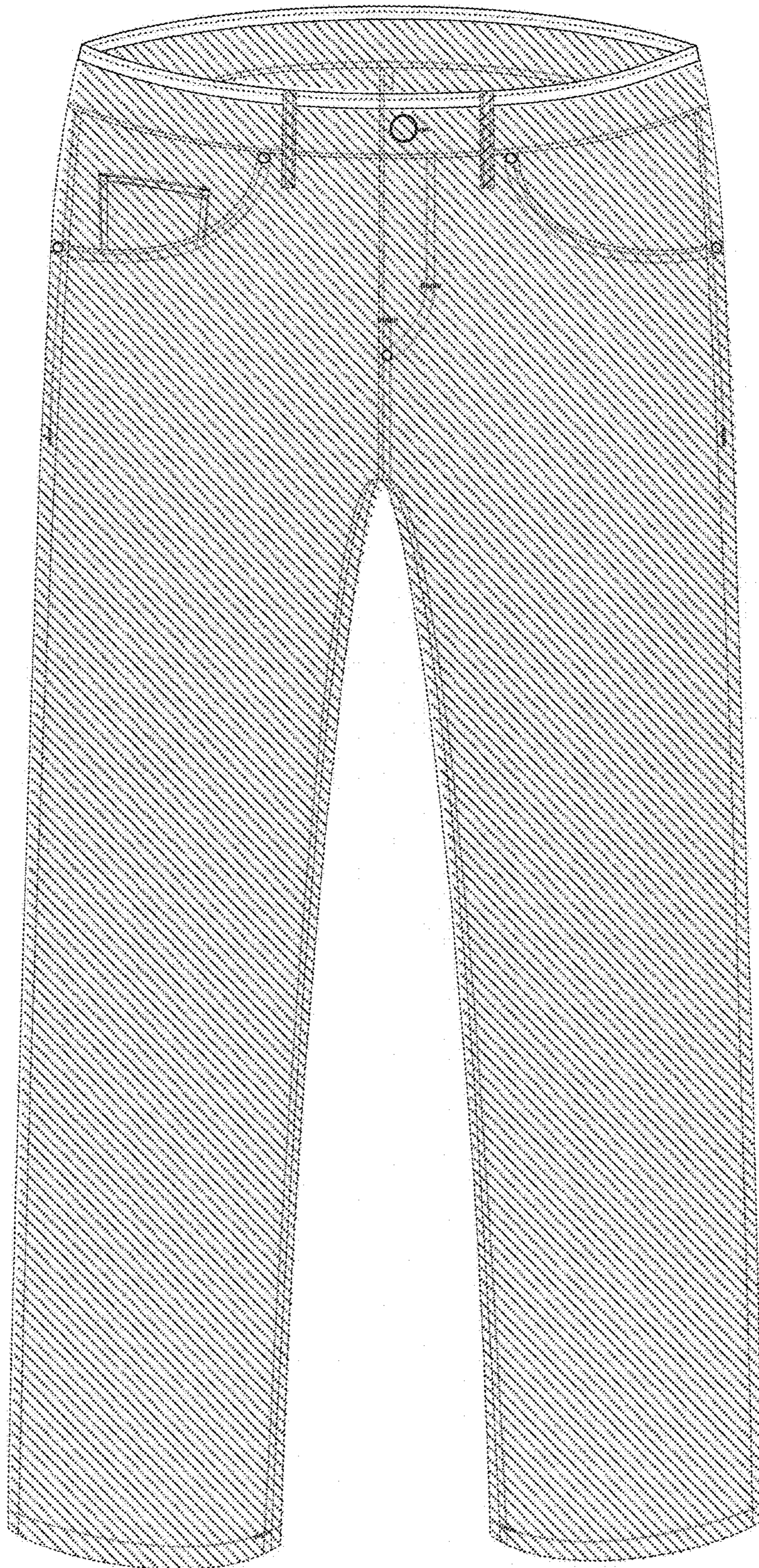


FIG. 5

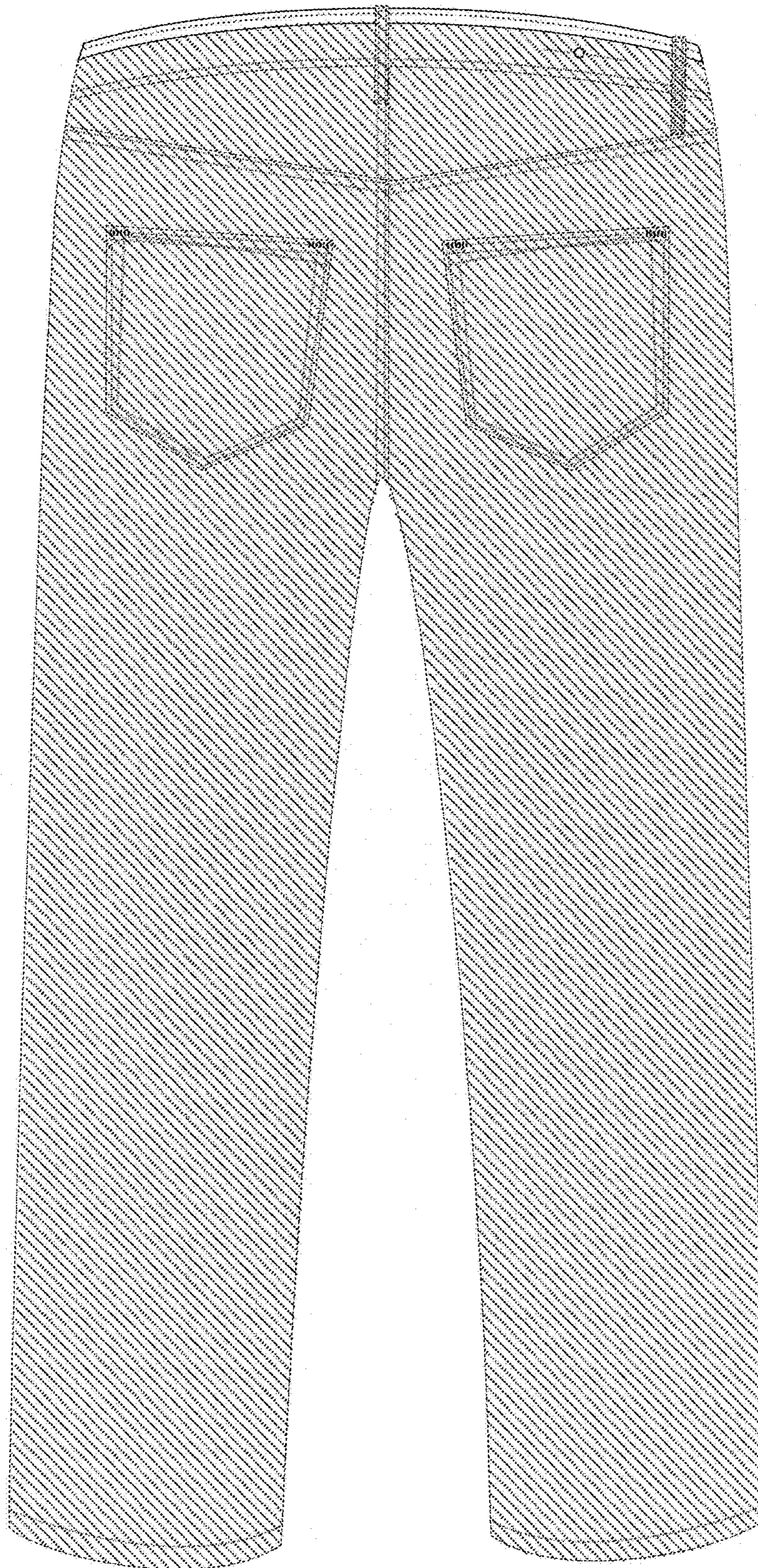


FIG. 6

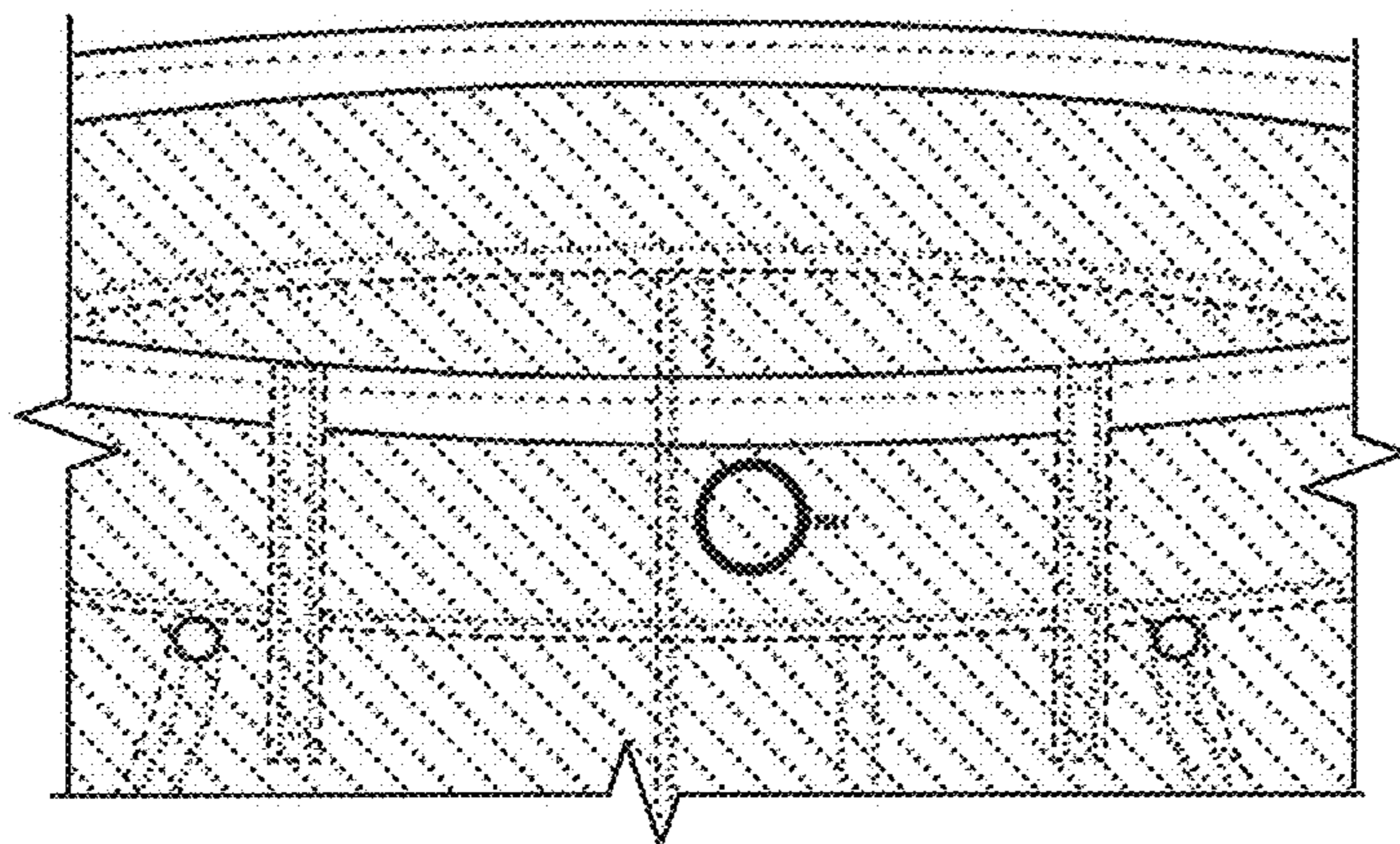


FIG. 7

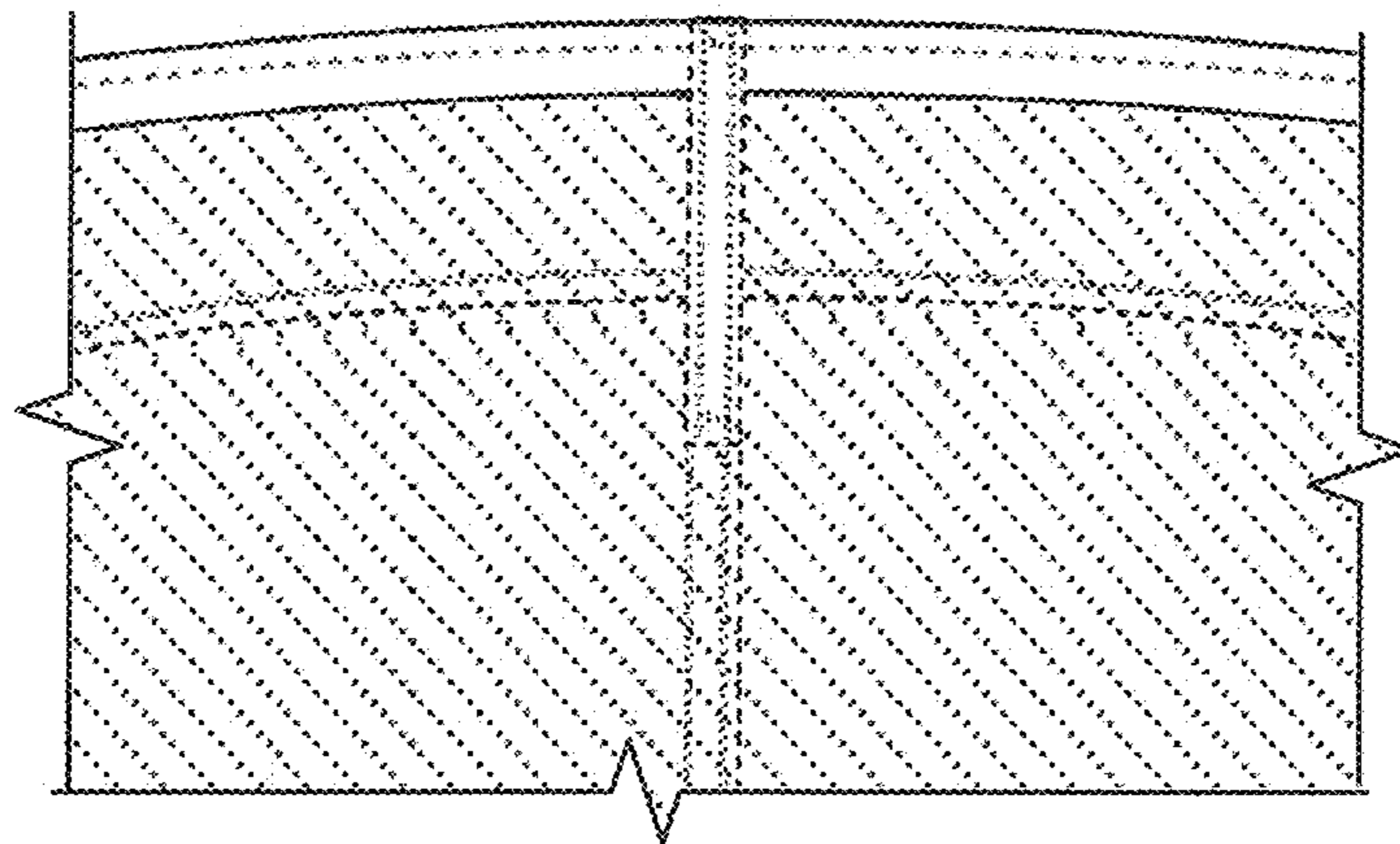


FIG. 8