



US00D779147S

(12) **United States Design Patent** (10) **Patent No.:** **US D779,147 S**  
**Bauernfeind et al.** (45) **Date of Patent:** **\*\* Feb. 14, 2017**

(54) **JACK STABILIZING PLATE**

D596,825 S \* 7/2009 Wang ..... D34/38  
D639,013 S \* 5/2011 Ahrenholtz ..... D34/31  
D653,064 S \* 1/2012 Lutt ..... D6/513

(71) Applicants: **Kenneth E. Bauernfeind**, Cocoa, FL (US); **Linda A. Bauernfeind**, Cocoa, FL (US)

(Continued)

(72) Inventors: **Kenneth E. Bauernfeind**, Cocoa, FL (US); **Linda A. Bauernfeind**, Cocoa, FL (US)

*Primary Examiner* — Cynthia Ramirez

*Assistant Examiner* — Michael Maharajh

(74) *Attorney, Agent, or Firm* — Mark Malek; Widerman Malek, PL

(\*\*) Term: **14 Years**

(57) **CLAIM**

The ornamental design for a jack stabilizing plate, as shown and described.

(21) Appl. No.: **29/522,368**

**DESCRIPTION**

(22) Filed: **Mar. 30, 2015**

(51) **LOC (10) Cl.** ..... **12-05**

(52) **U.S. Cl.**

USPC ..... **D34/31; D34/35**

(58) **Field of Classification Search**

USPC .... 220/31–38; D12/223, 104–106; D21/365, D21/491, 499; D34/31, 35, 38

CPC ..... B65D 2519/00164; B65D 2519/00174; B65D 2519/00208; B65D 2519/00293; B65D 2519/00298; B65D 2519/00323; B65D 2519/00343; B65D 2519/00353; B65D 2519/00432; B65D 2519/00497; B65D 2519/00502; B65D 2519/00527

See application file for complete search history.

FIG. 1 is a perspective view of a jack stabilizing plate showing our new design.

FIG. 2 is a front elevation view of the jack stabilizing plate illustrated in FIG. 1.

FIG. 3 is a rear elevation view of the jack stabilizing plate illustrated in FIG. 1.

FIG. 4 is a side elevation view of the jack stabilizing plate illustrated in FIG. 1.

FIG. 5 is another side elevation view of the jack stabilizing plate illustrated in FIG. 1.

FIG. 6 is top plan view of the jack stabilizing plate illustrated in FIG. 1.

FIG. 7 is bottom plan view of the jack stabilizing plate illustrated in FIG. 1.

FIG. 8 is another perspective view of the jack stabilizing plate illustrated in FIG. 1; and,

FIG. 9 is a perspective view of the jack stabilizing plate connected to a portion of a jack to be used in connection with a trailer.

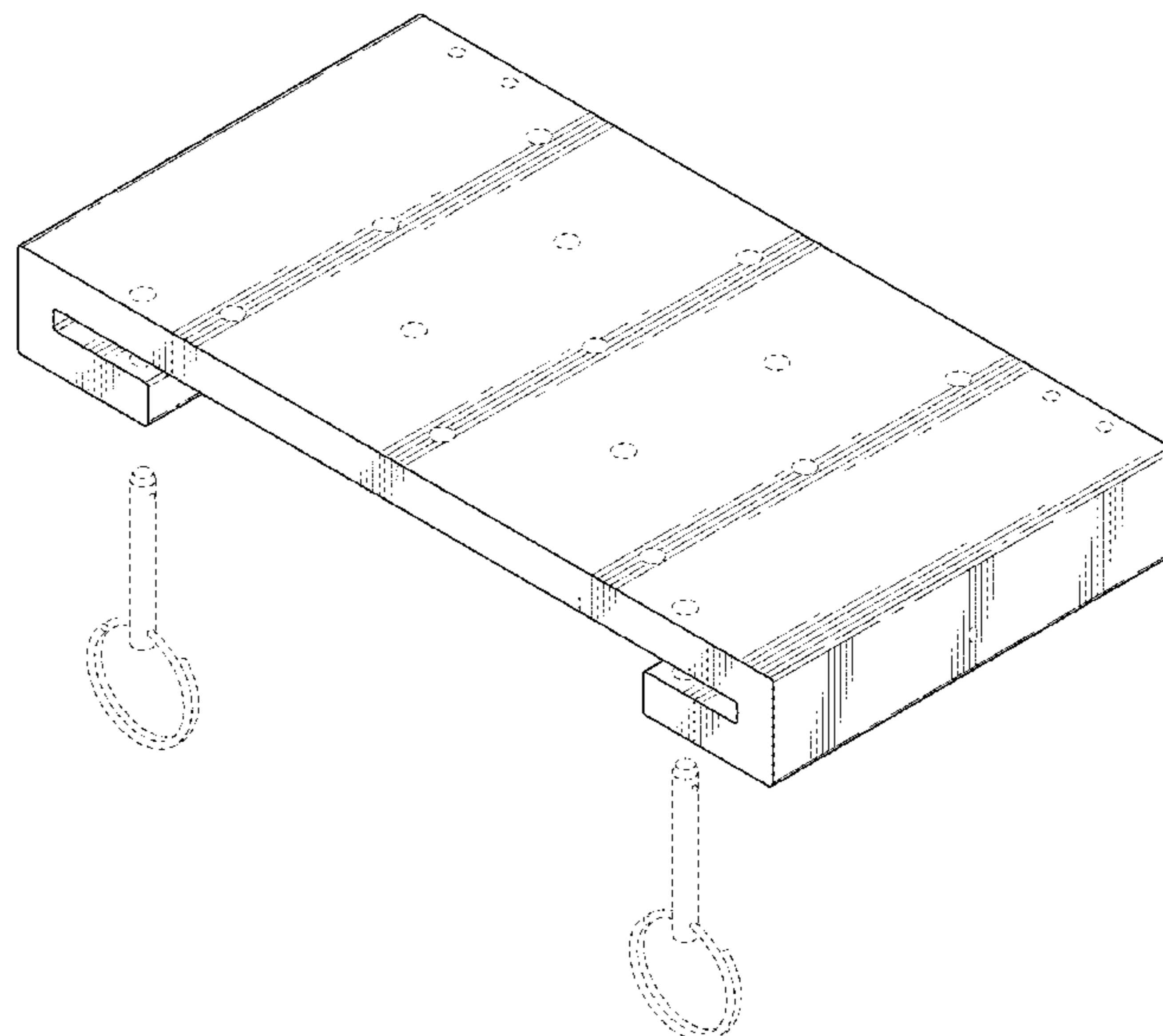
The fasteners, trailer and jack shown in broken lines are for the purpose of illustrating environment and form no part of the claimed design. The circles shown in broken lines on the surface of the plate are for the purpose of illustrating portions of the jack stabilizing plate and form no part of the claim.

(56) **References Cited**

**U.S. PATENT DOCUMENTS**

D231,653 S \* 5/1974 Schell ..... D34/38  
4,254,927 A \* 3/1981 Stonhaus ..... B66F 13/00  
248/346.5  
D282,241 S \* 1/1986 Sauber ..... D8/373  
D304,575 S \* 11/1989 Batzel ..... D12/345  
6,164,697 A \* 12/2000 Riggs ..... B60S 9/02  
248/188.9  
D445,985 S \* 7/2001 Paxton ..... D34/38  
D556,422 S \* 11/2007 Weise ..... D34/38

**1 Claim, 6 Drawing Sheets**



(56)

**References Cited**

U.S. PATENT DOCUMENTS

D658,486 S \* 5/2012 Hecht ..... D8/354  
D659,937 S \* 5/2012 Pugh ..... D34/31  
D701,364 S \* 3/2014 Pelini ..... D15/4  
2016/0272366 A1\* 9/2016 Cote ..... B65D 19/0095

\* cited by examiner

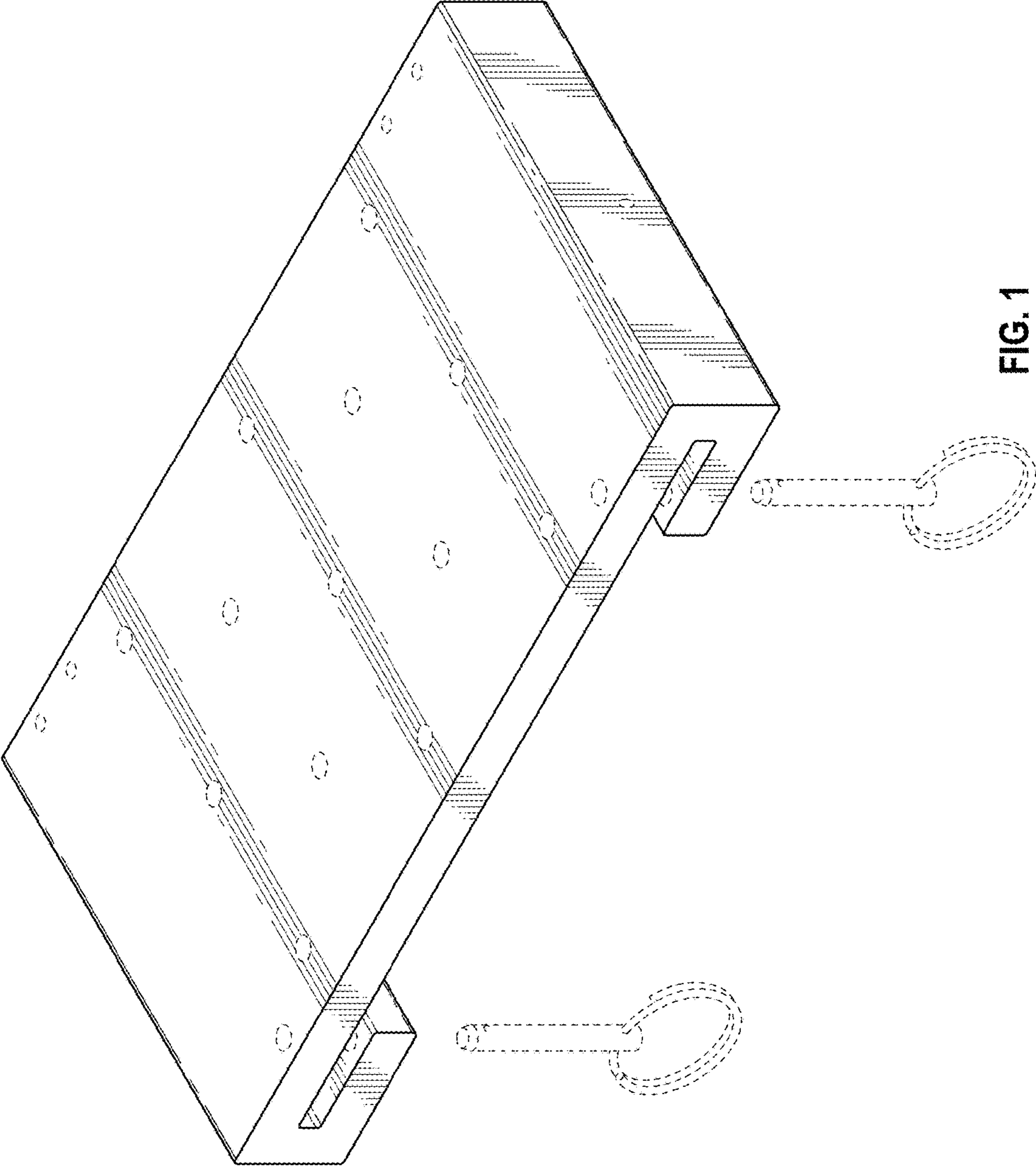


FIG. 1

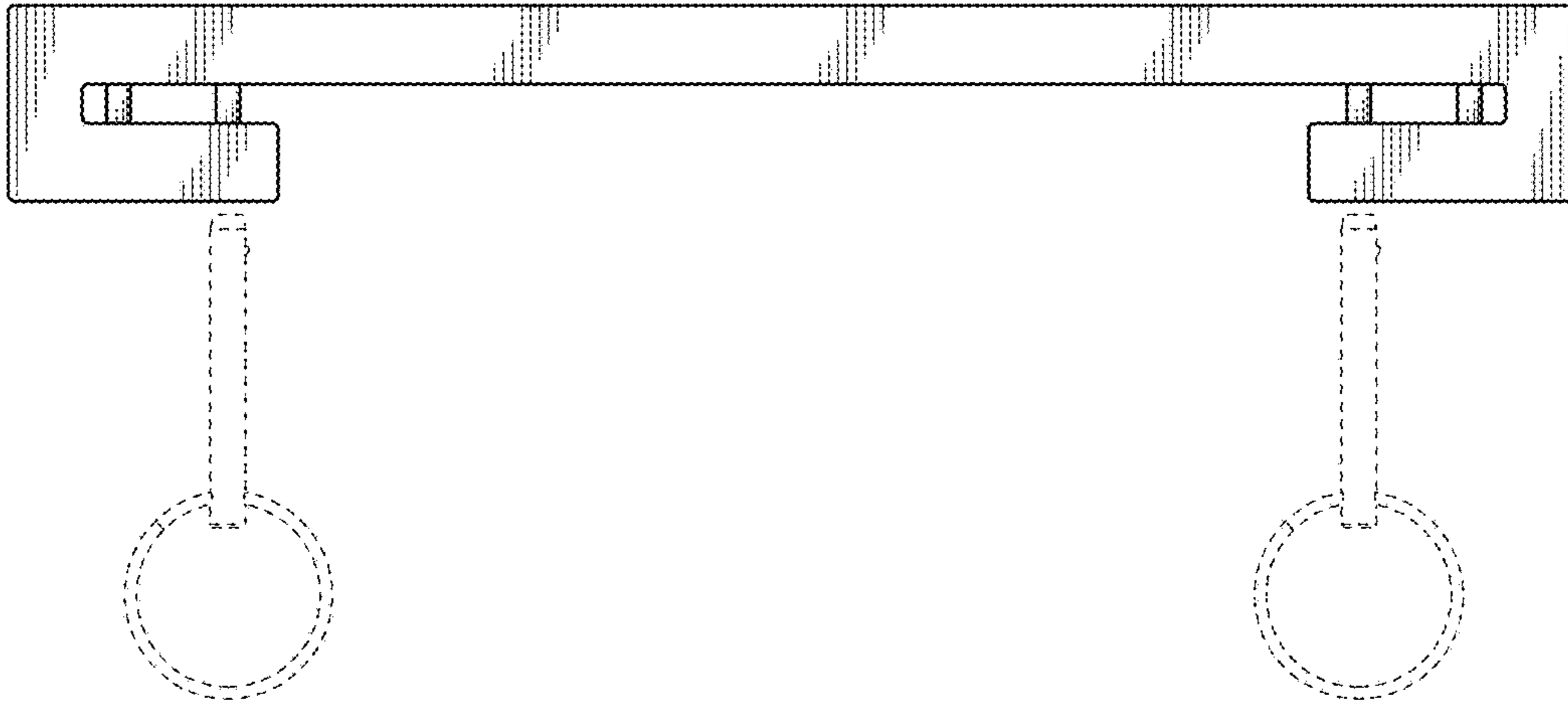


FIG. 2

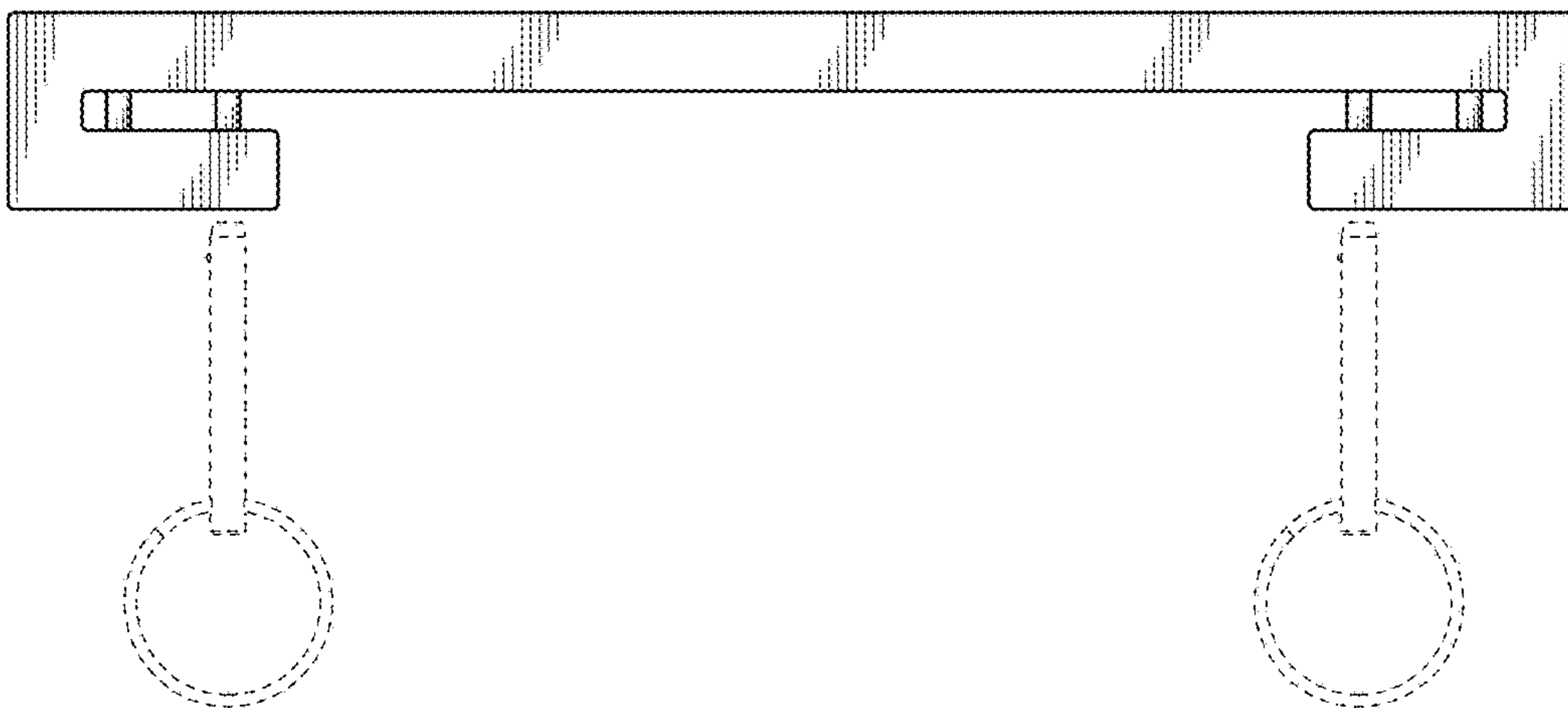


FIG. 3

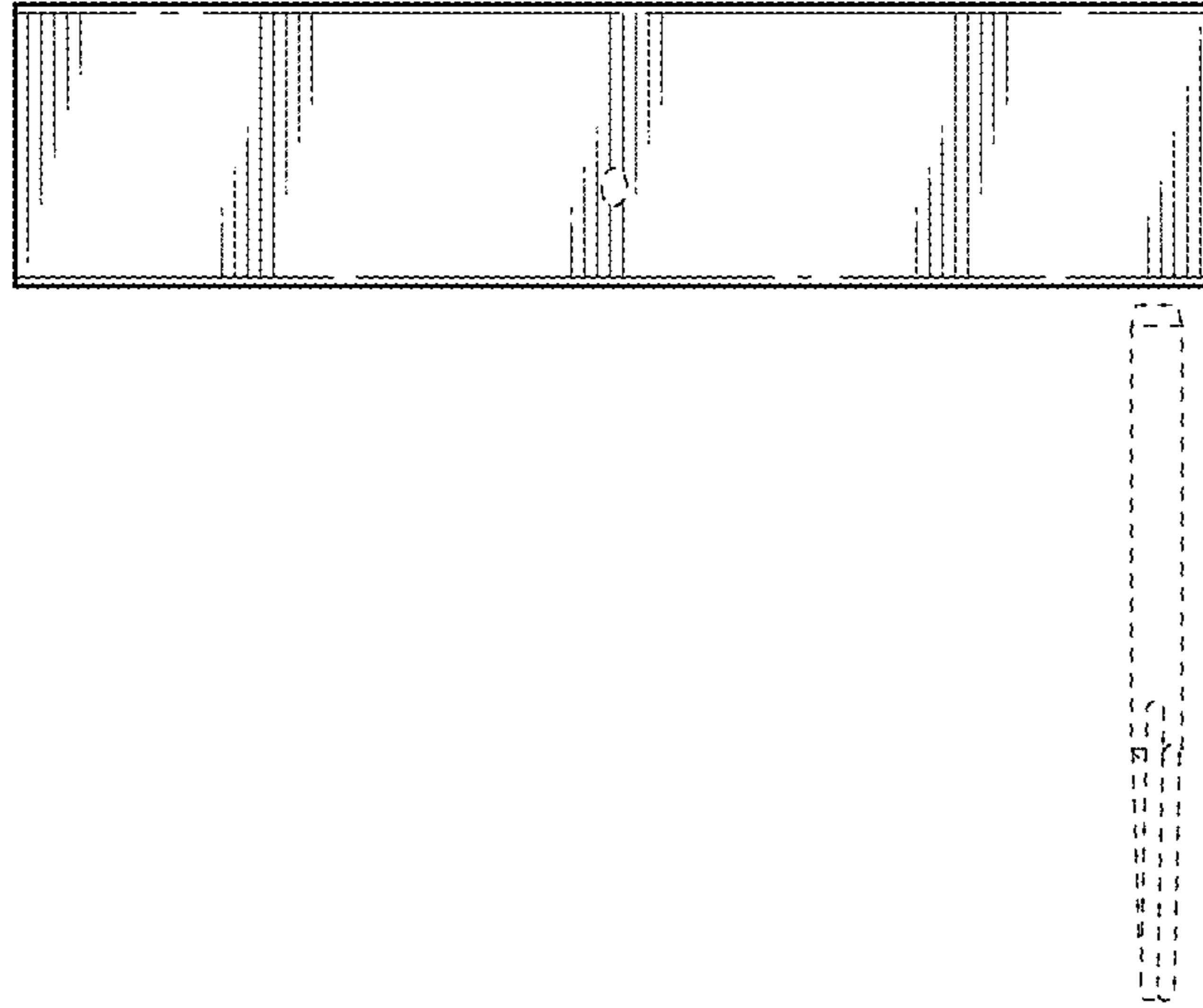


FIG. 4

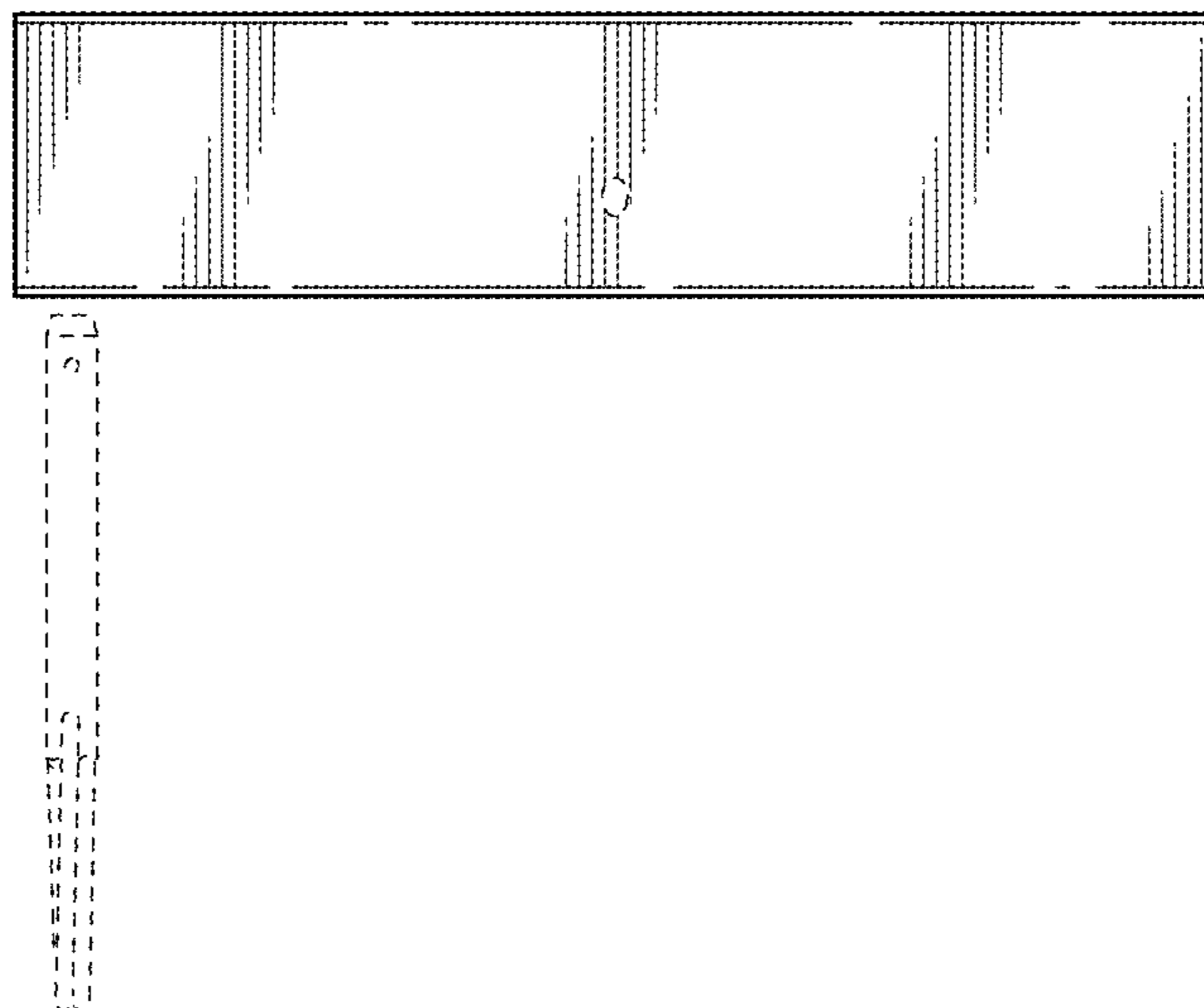


FIG. 5

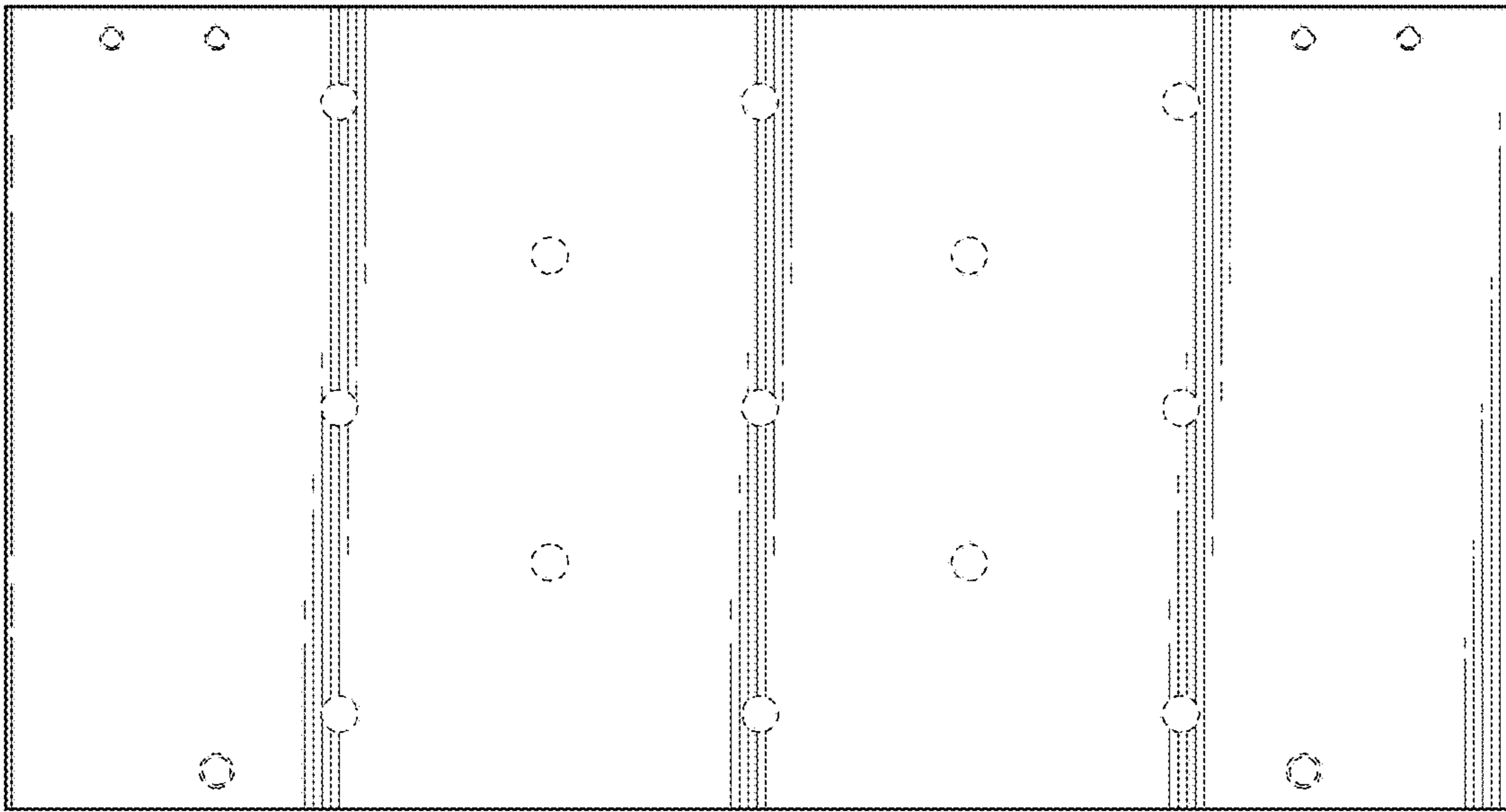


FIG. 6

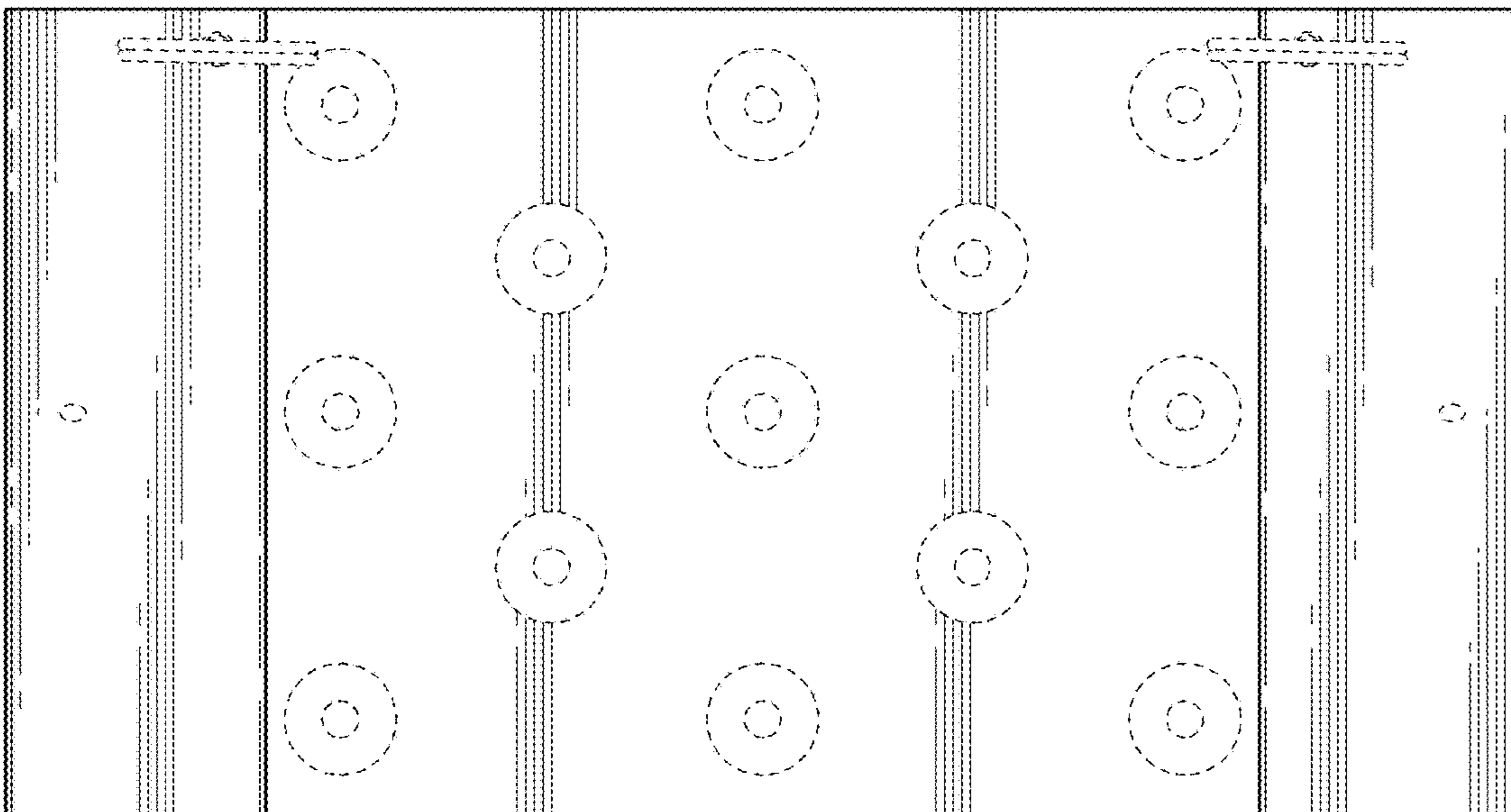


FIG. 7

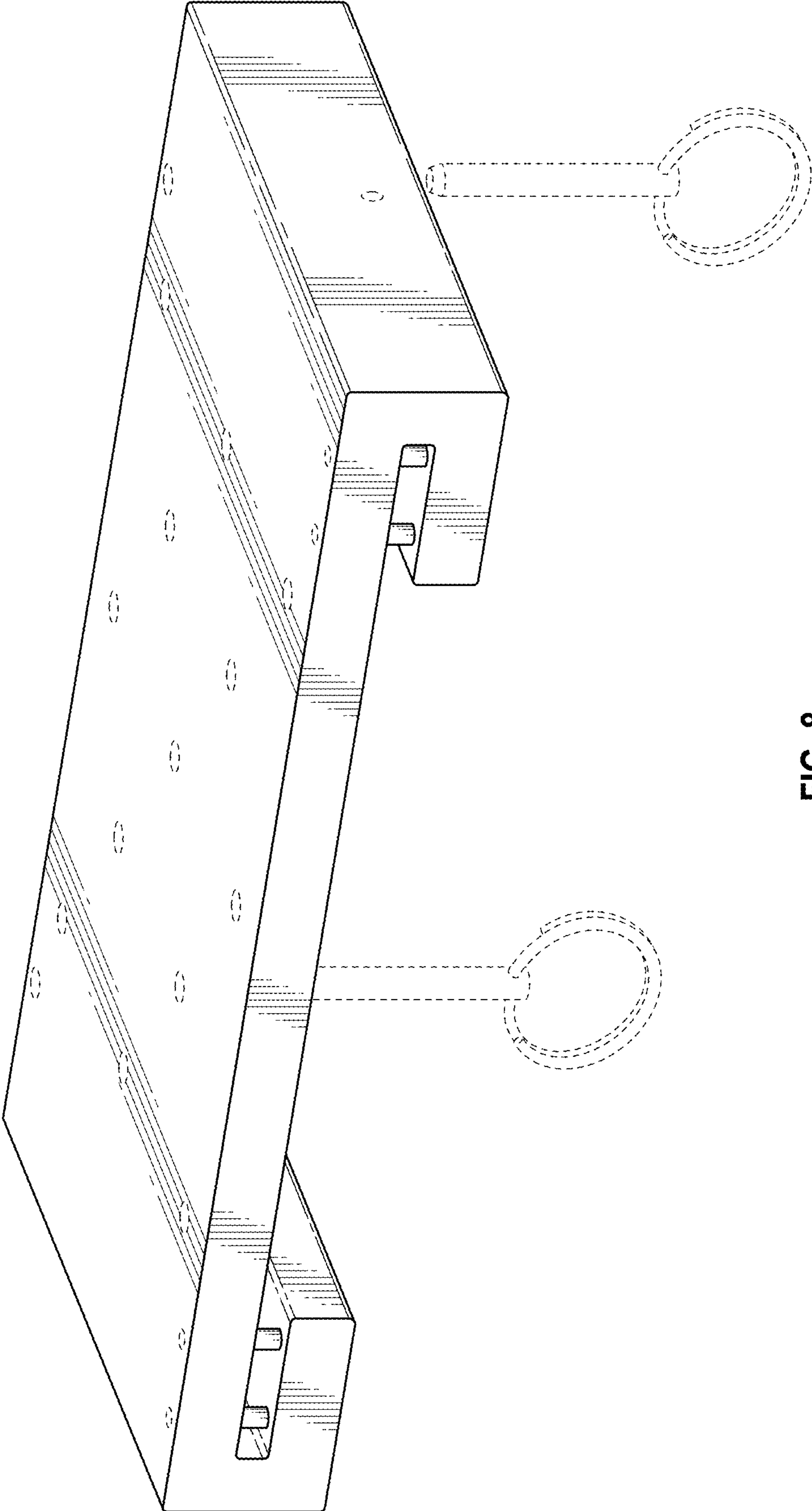


FIG. 8

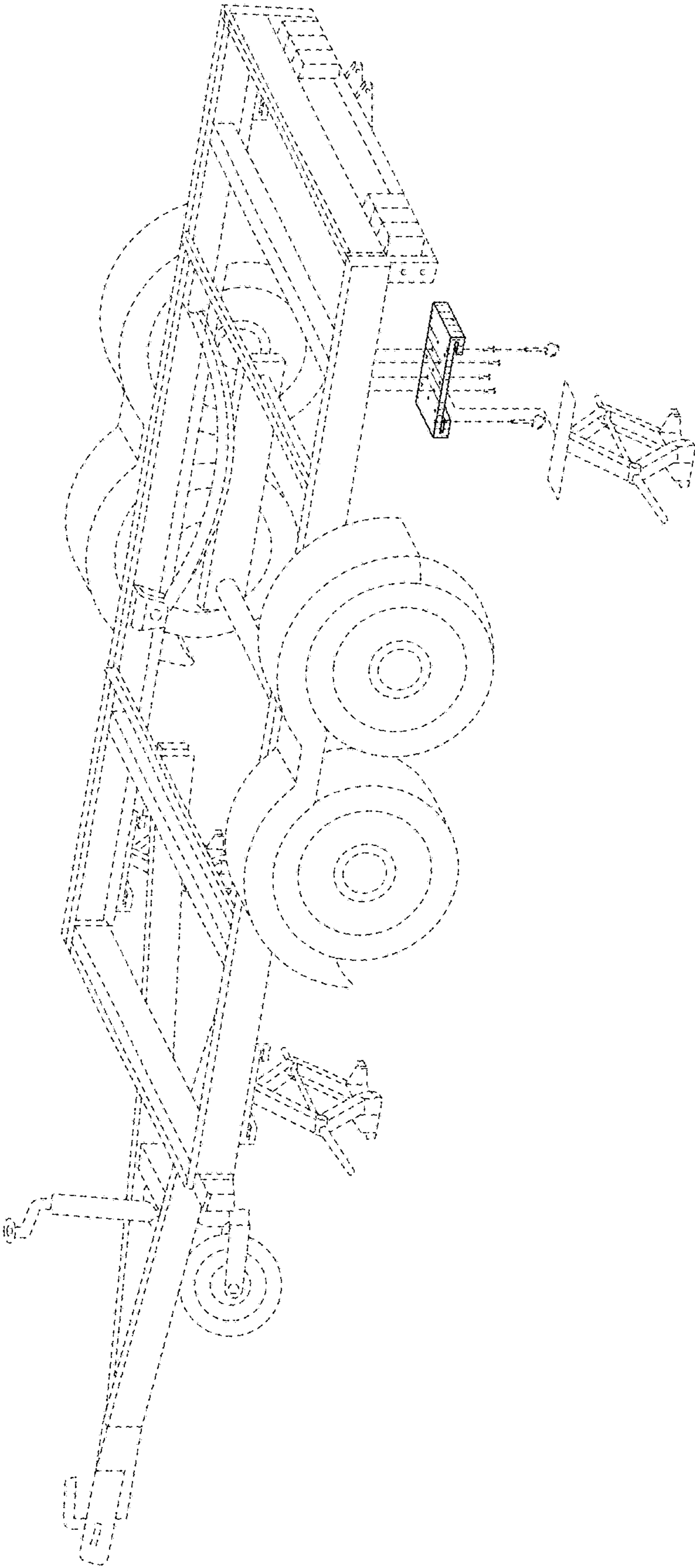


FIG. 9