



US00D779146S

(12) **United States Design Patent** (10) **Patent No.:** **US D779,146 S**  
**Tokai et al.** (45) **Date of Patent:** **\*\* Feb. 14, 2017**

(54) **TRANSFER ROBOT**

*Primary Examiner* — Cynthia Ramirez

(71) Applicant: **JTEKT Corporation**, Osaka (JP)

(74) *Attorney, Agent, or Firm* — Oblon, McClelland, Maier & Neustadt, L.L.P.

(72) Inventors: **Chiaki Tokai**, Aichi (JP); **Minetaka Goto**, Aichi (JP); **Takeshi Osuka**, Aichi (JP)

(57) **CLAIM**

The ornamental design for a transfer robot, as shown and described.

(73) Assignee: **JTEKT Corporation**, Osaka (JP)

**DESCRIPTION**

(\*\*) Term: **14 Years**

FIG. 1 is a front view of a first embodiment of a transfer robot showing our new design;

(21) Appl. No.: **29/490,738**

FIG. 2 is a back view of the transfer robot shown in FIG. 1;

(22) Filed: **May 13, 2014**

FIG. 3 is a left side view of the transfer robot shown FIG. 1;

(30) **Foreign Application Priority Data**

Nov. 19, 2013 (JP) ..... 2013-027045

FIG. 4 is a right side view of the transfer robot shown in FIG. 1;

Nov. 19, 2013 (JP) ..... 2013-027046

FIG. 5 is a top view of the transfer robot shown in FIG. 1;

(Continued)

FIG. 6 is a bottom view of the transfer robot shown in FIG. 1;

(51) **LOC (10) Cl.** ..... **12-05**

FIG. 7 is a front, top, and right side perspective view of the transfer robot shown in FIG. 1;

(52) **U.S. Cl.**

USPC ..... **D34/28**; D15/199; D34/29

FIG. 8 is a back, bottom, and left side perspective view of the transfer robot shown in FIG. 1;

(58) **Field of Classification Search**

USPC ..... D34/28, 29, 35; D15/199, 138

FIG. 9 is a front view of a second embodiment of a transfer robot showing our new design;

(Continued)

FIG. 10 is a back view of the transfer robot shown in FIG. 9;

(56) **References Cited**

**U.S. PATENT DOCUMENTS**

D619,632 S \* 7/2010 Feng ..... D15/199

FIG. 11 is a left side view of the transfer robot shown FIG. 9;

D642,352 S \* 7/2011 Chen ..... D34/28

FIG. 12 is a right side view of the transfer robot shown in FIG. 9;

(Continued)

FIG. 13 is a top view of the transfer robot shown in FIG. 9;

**FOREIGN PATENT DOCUMENTS**

JP 8-66878 A 3/1996

FIG. 14 is a bottom view of the transfer robot shown in FIG. 9;

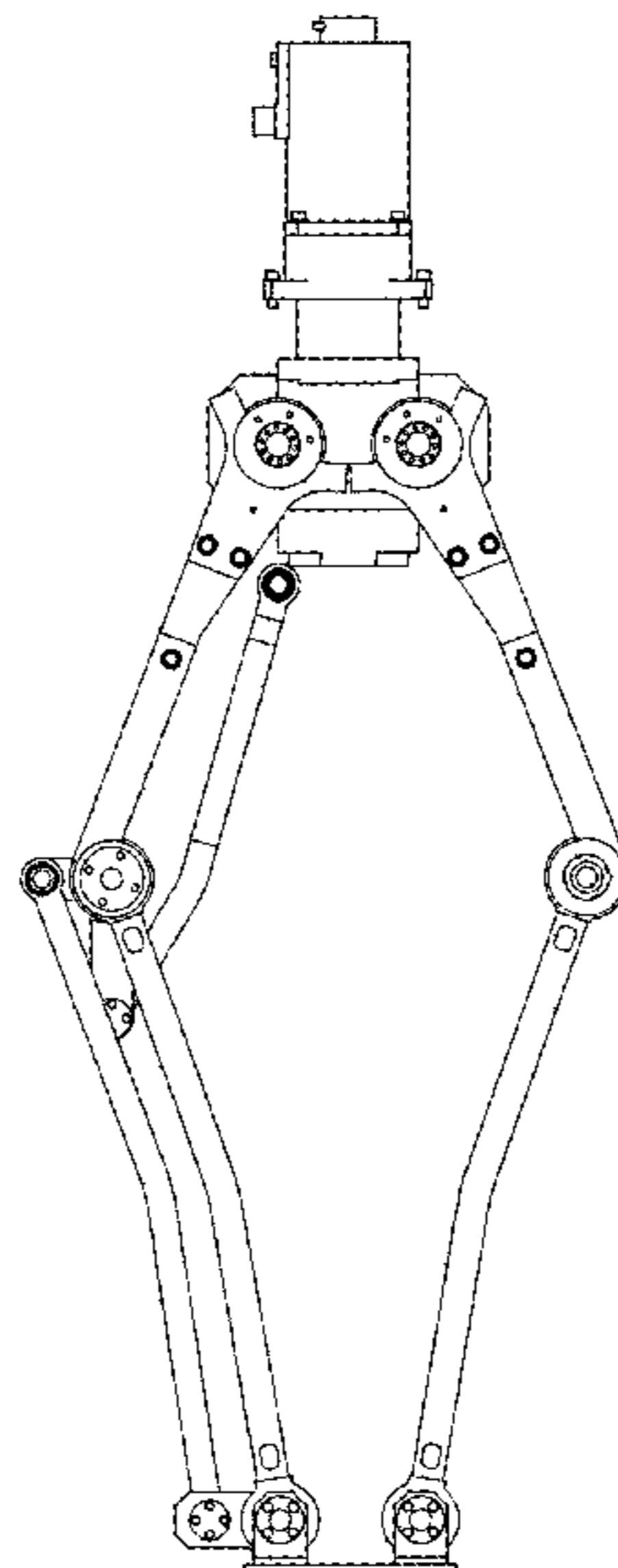
JP 4289506 B2 7/2009

FIG. 15 is a front, top, and right side perspective view of the transfer robot shown in FIG. 9; and,

(Continued)

FIG. 16 is a back, bottom, and left side perspective view of the transfer robot shown in FIG. 9.

**1 Claim, 16 Drawing Sheets**



(30) **Foreign Application Priority Data**

Nov. 19, 2013 (JP) ..... 2013-027047  
Nov. 19, 2013 (JP) ..... 2013-027048  
Nov. 19, 2013 (JP) ..... 2013-027049

(58) **Field of Classification Search**

CPC ..... B25J 17/00; B25J 9/047; B25J 9/0087;  
B25J 13/084; B25J 19/0075  
See application file for complete search history.

(56) **References Cited**

U.S. PATENT DOCUMENTS

D678,378 S \* 3/2013 Selic ..... D15/199  
D681,708 S \* 5/2013 Miyake ..... D15/199  
D692,041 S \* 10/2013 Selic ..... D15/199  
D707,277 S \* 6/2014 Olsson ..... D15/199  
2005/0092122 A1\* 5/2005 Markert ..... B25J 19/0075  
74/490.01  
2008/0271561 A1\* 11/2008 Ohara ..... B23K 9/133  
74/490.01  
2011/0303042 A1\* 12/2011 Pan ..... B25J 9/0009  
74/490.05  
2014/0012420 A1 1/2014 Yasue et al.  
2014/0047940 A1\* 2/2014 Yamamoto ..... B25J 17/00  
74/490.05

FOREIGN PATENT DOCUMENTS

JP 2010-149269 A 7/2010  
JP 2011-125950 A 6/2011  
JP 5160700 B1 3/2013

\* cited by examiner

FIG. 1

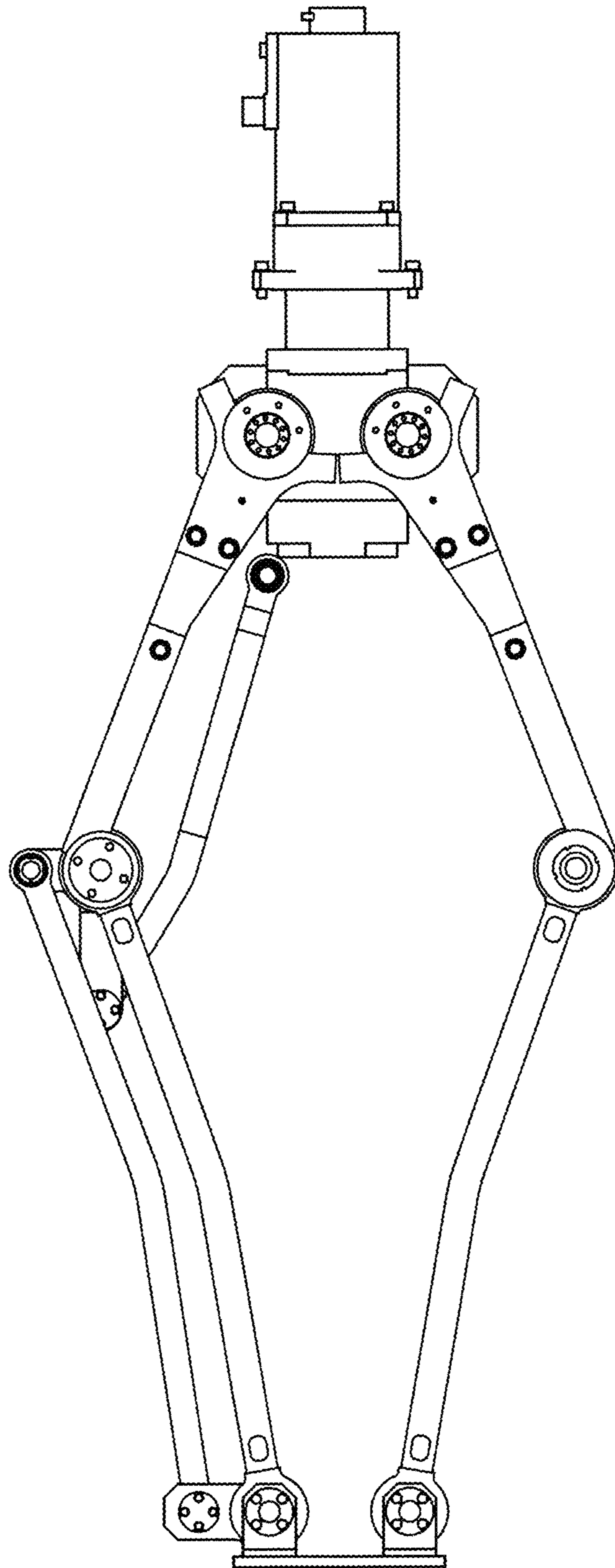


FIG. 2

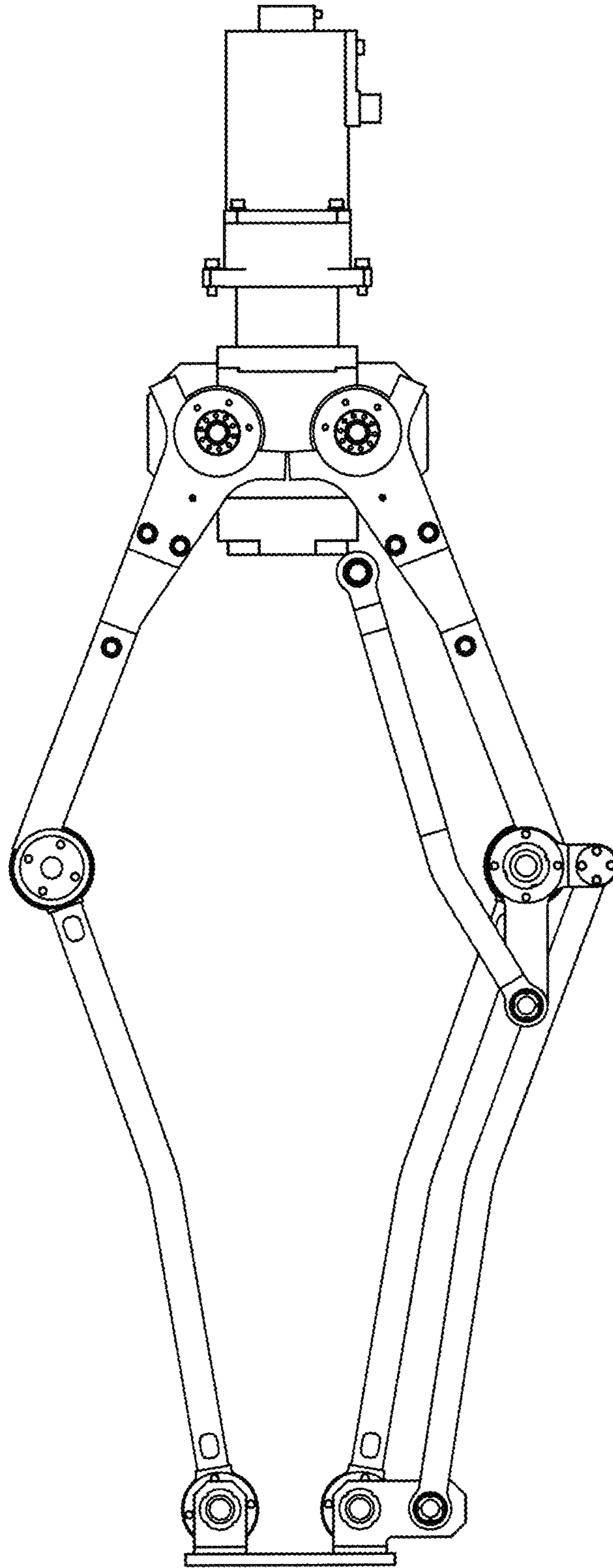


FIG. 3

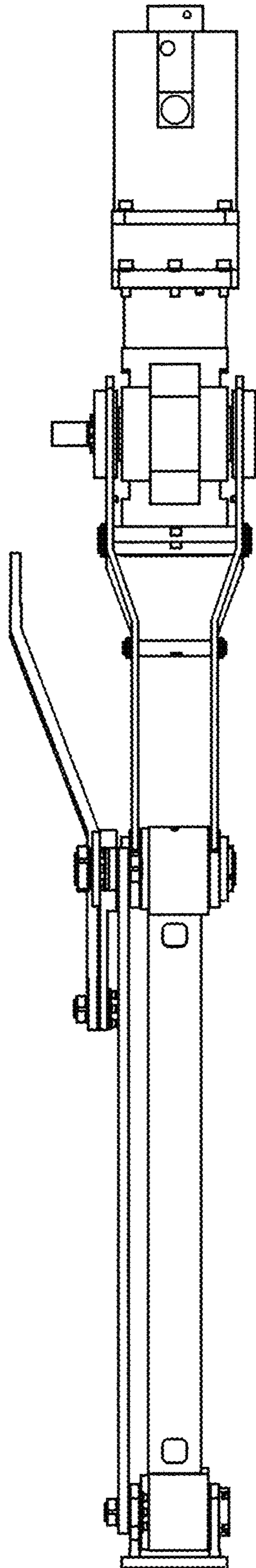


FIG. 4

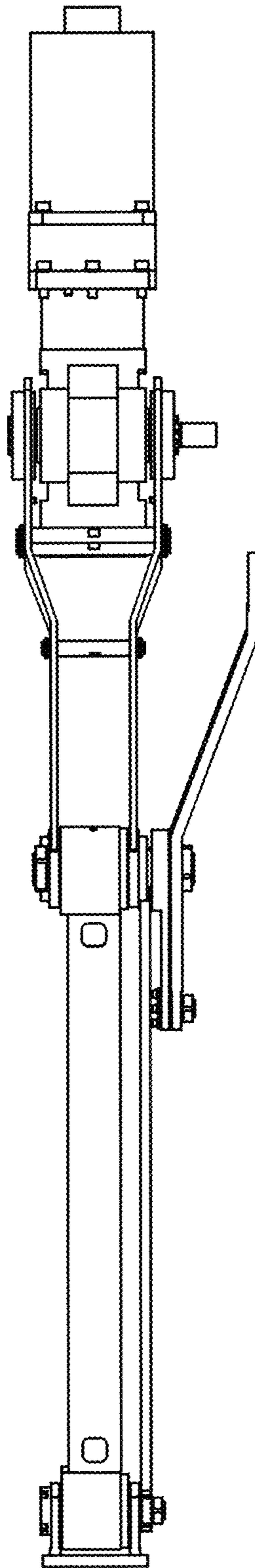


FIG. 5

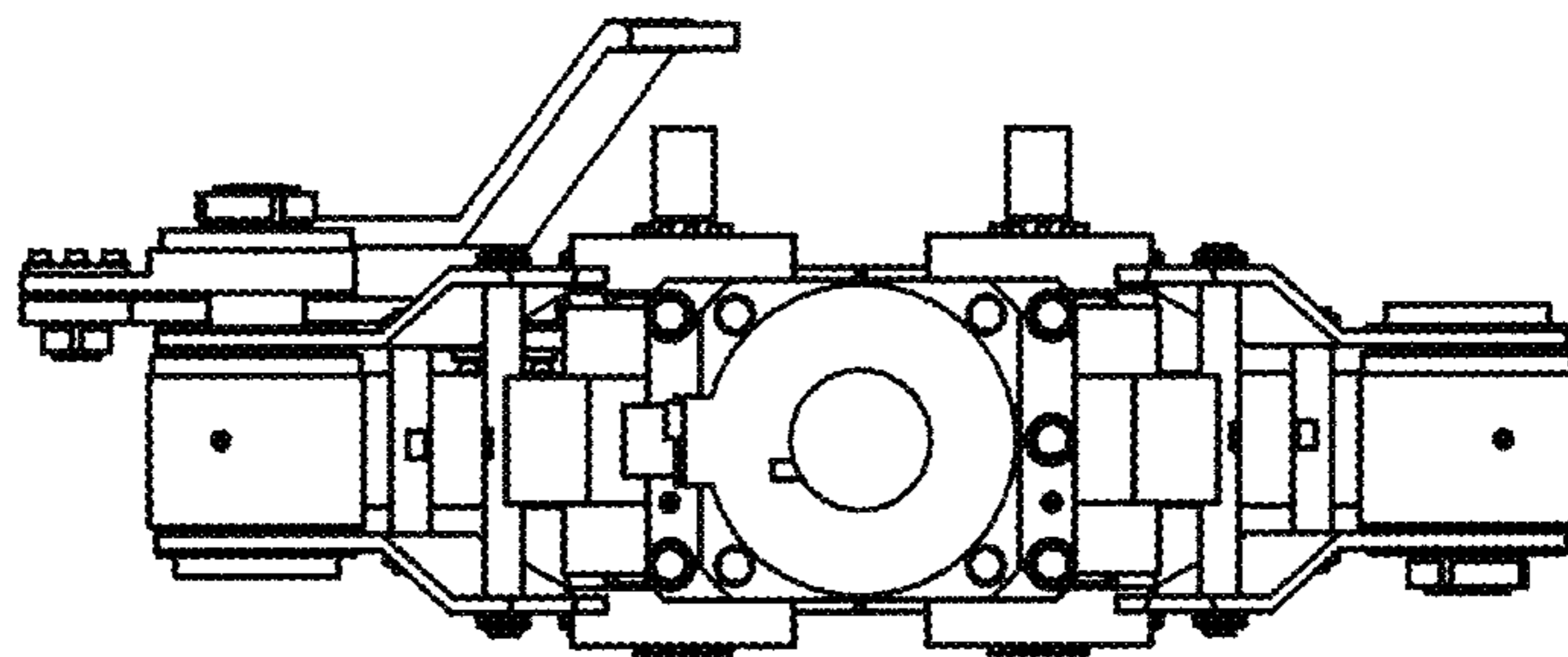


FIG. 6

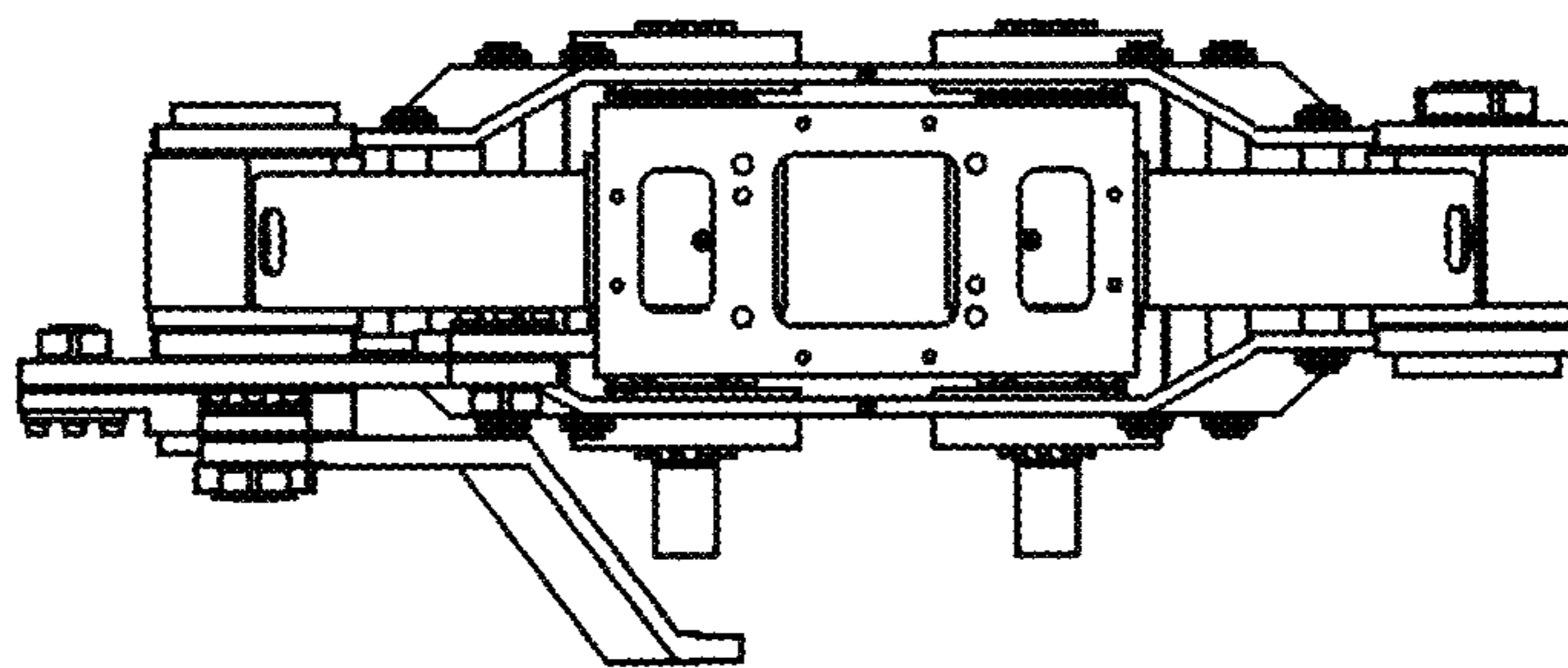




FIG. 7

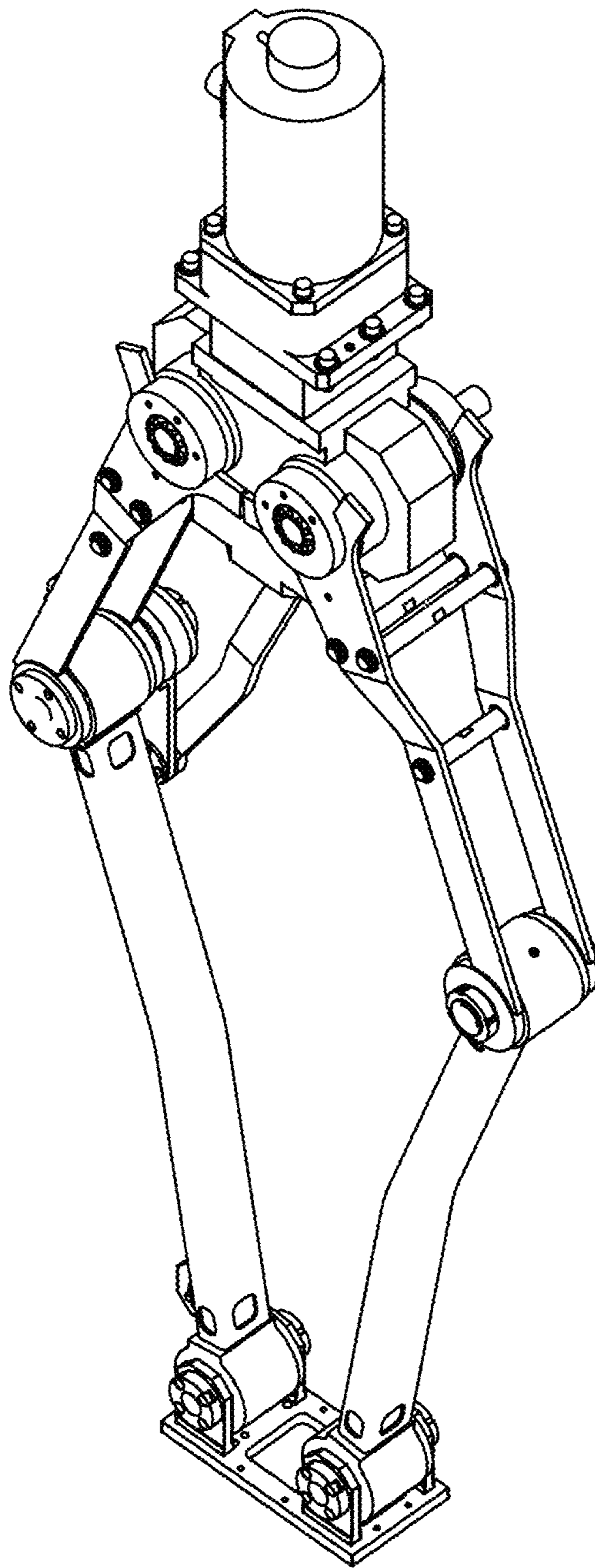


FIG. 8

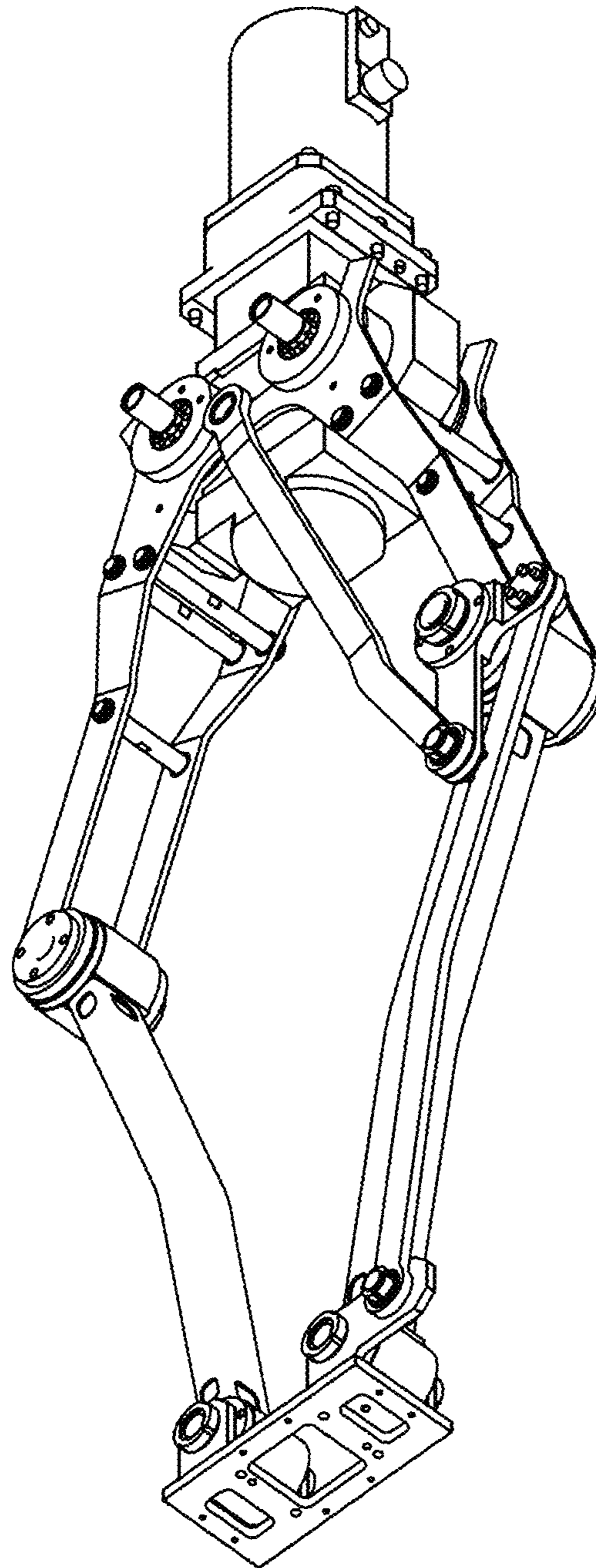


FIG. 9

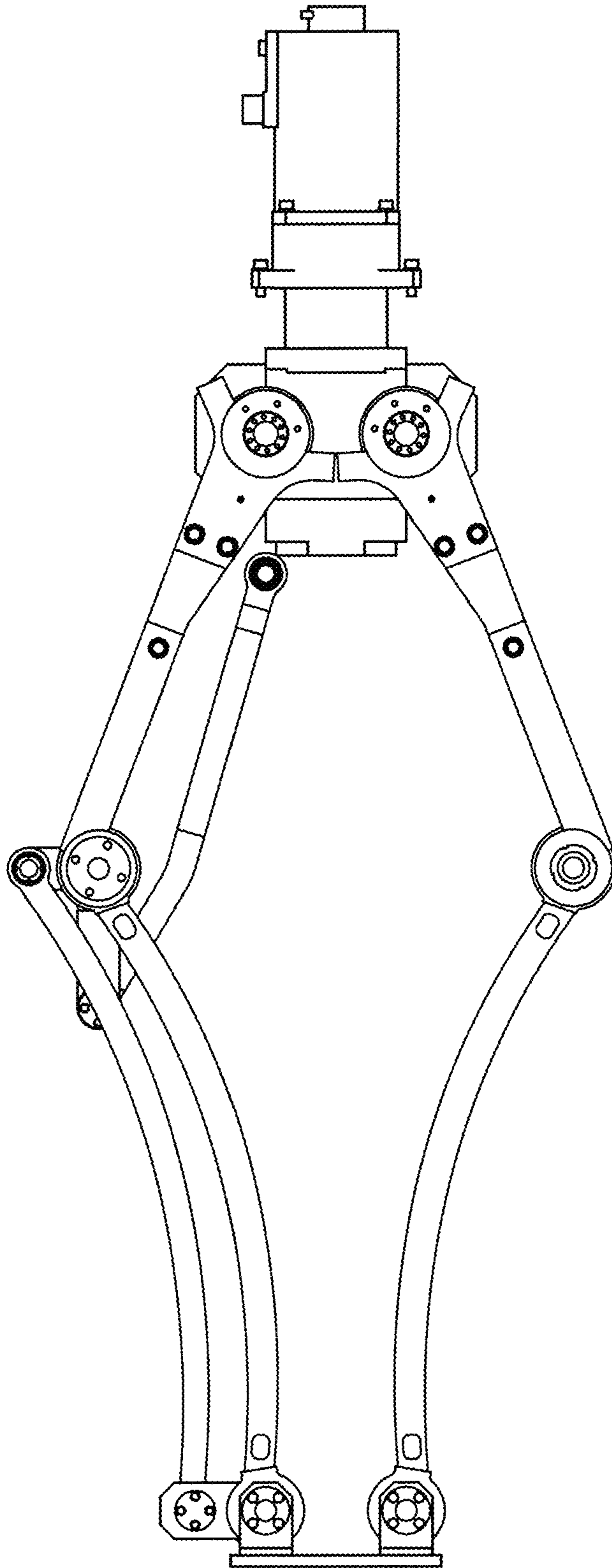


FIG. 10

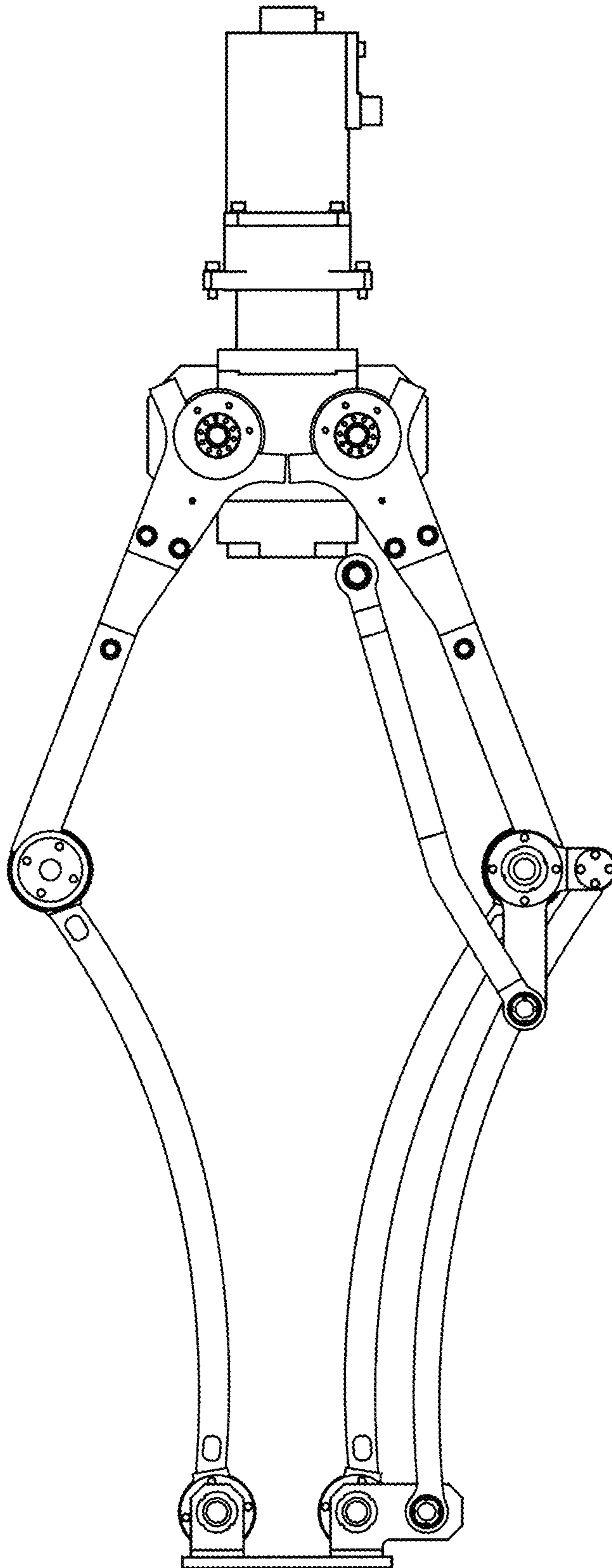


FIG. 11

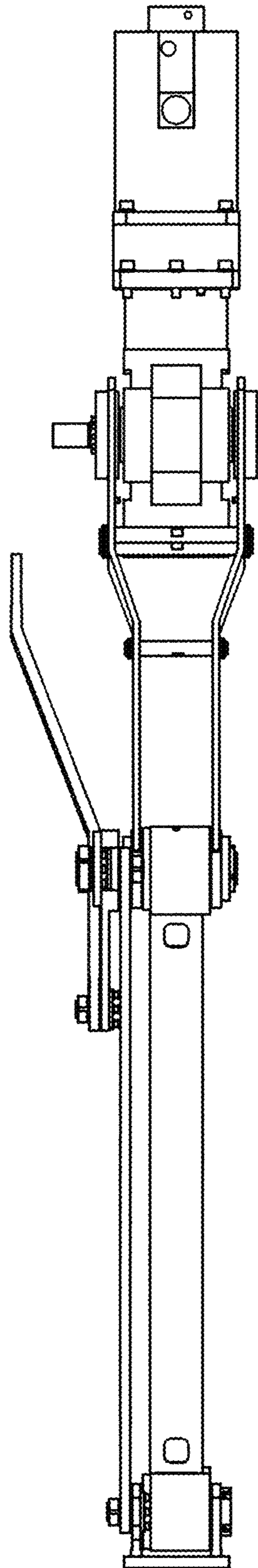


FIG. 12

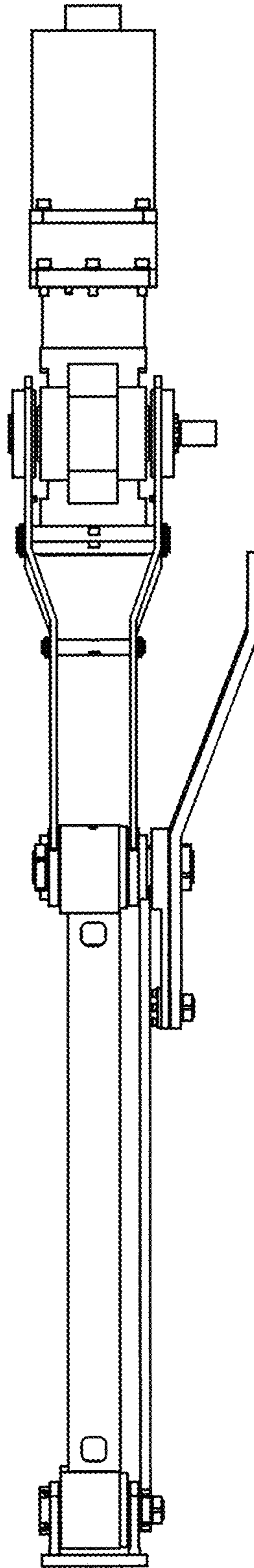


FIG. 13

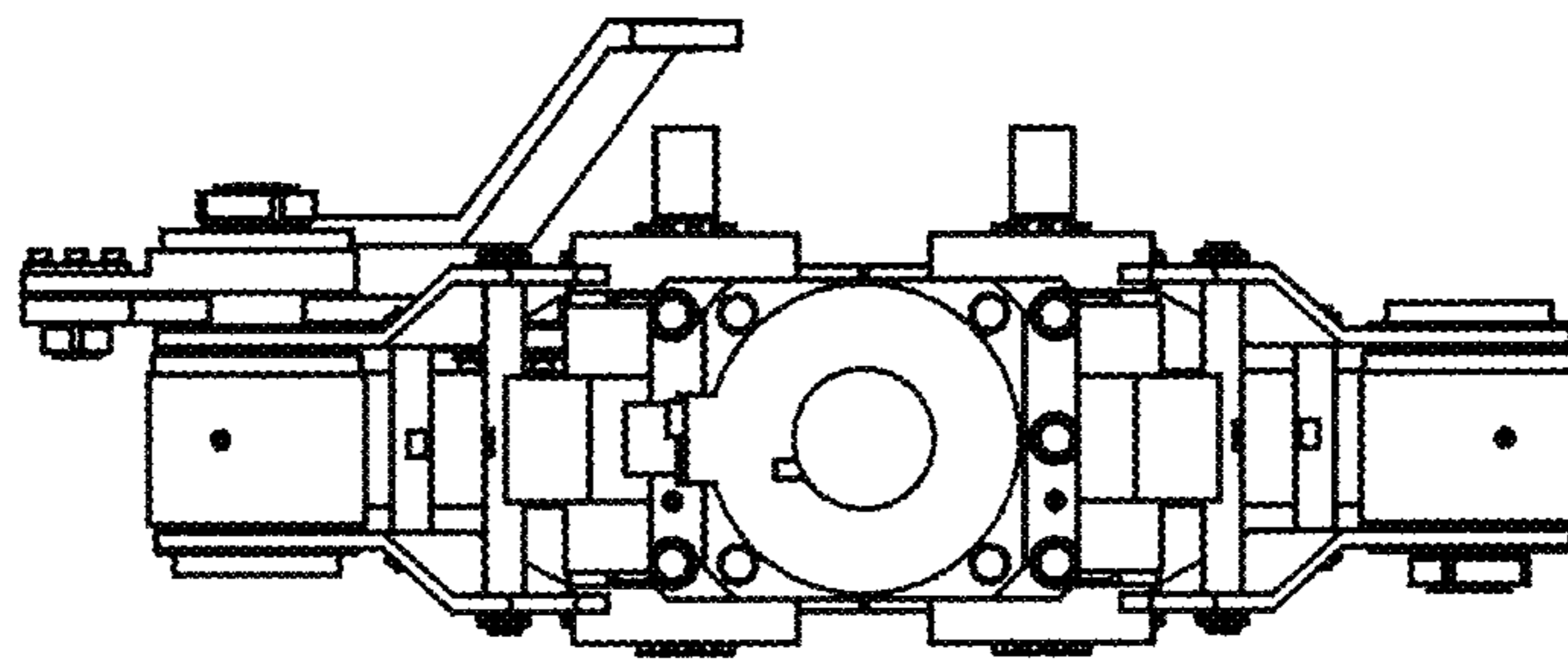


FIG. 14

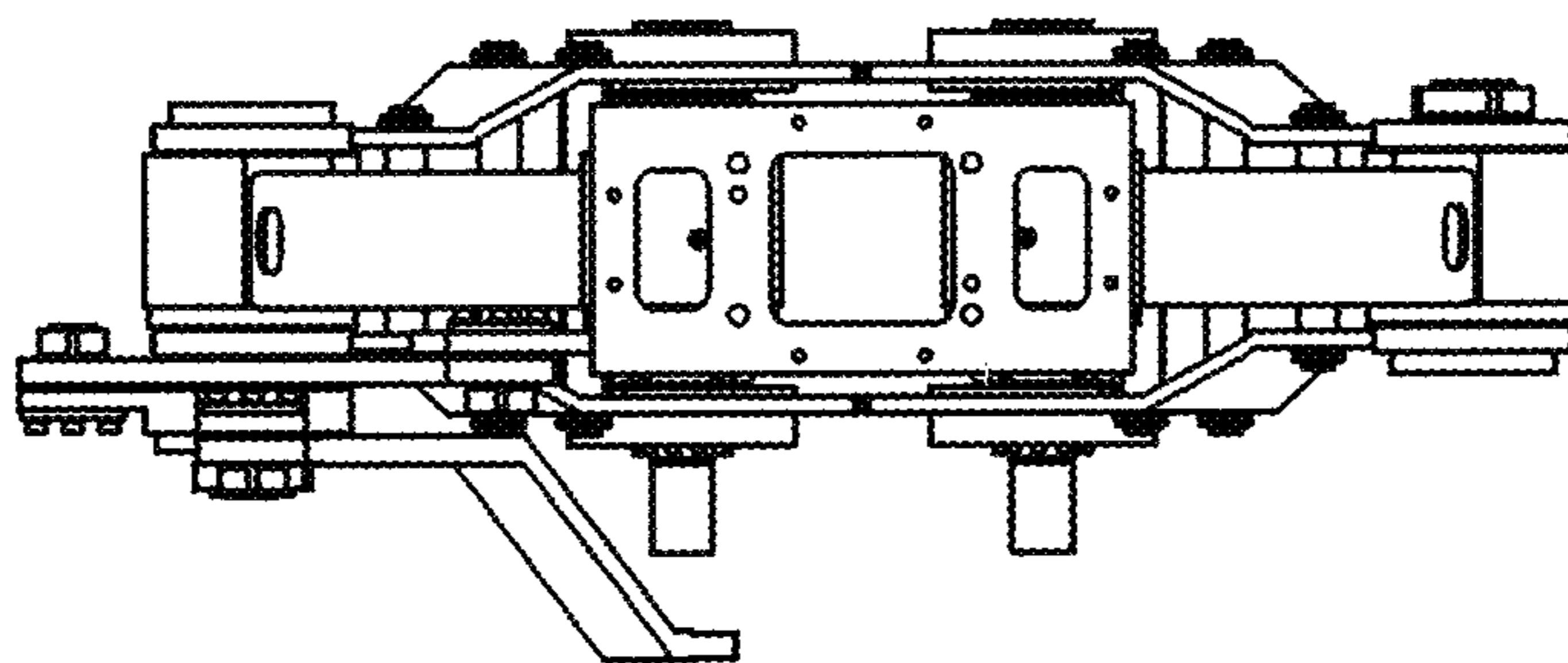




FIG. 15

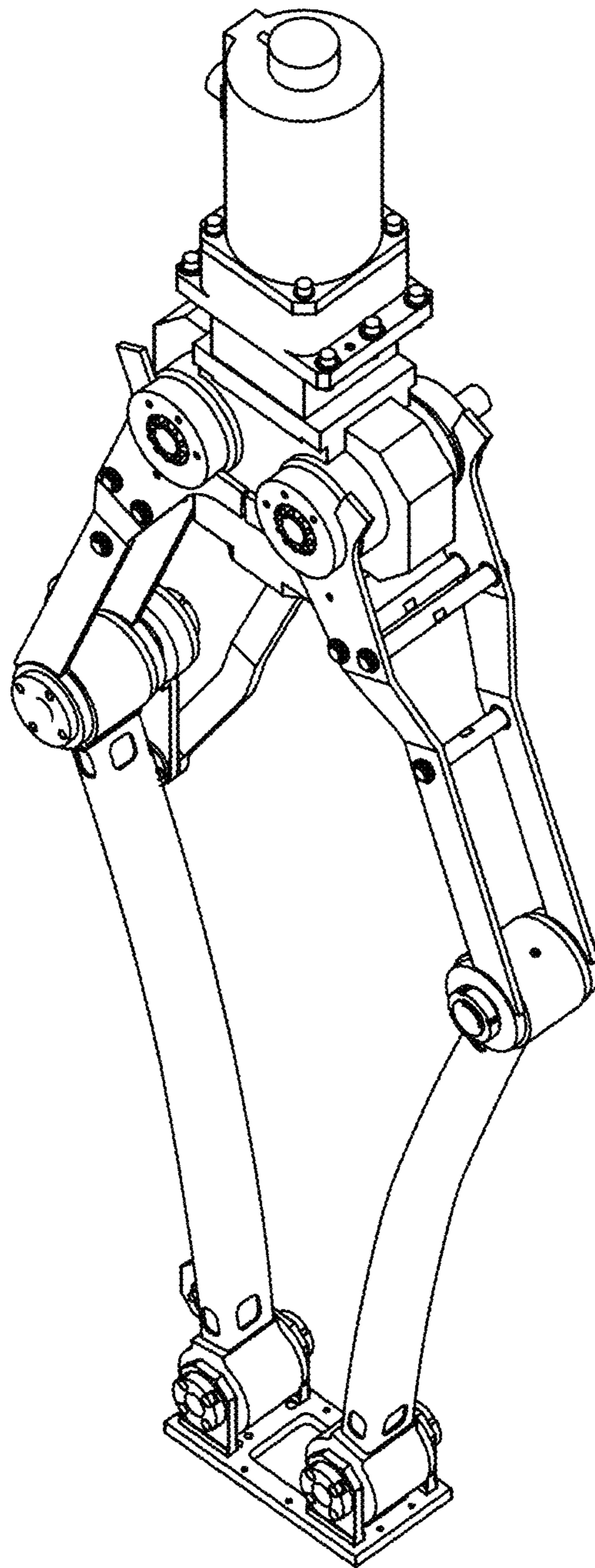


FIG. 16

