



US00D779145S

(12) **United States Design Patent** (10) **Patent No.:** **US D779,145 S**  
**Thuma et al.** (45) **Date of Patent:** **\*\* Feb. 14, 2017**

- (54) **PLATFORM CART**
- (71) Applicant: **Suncast Technologies, LLC**, Palm Beach Gardens, FL (US)
- (72) Inventors: **Michael Thuma**, La Grange, IL (US); **Robert G. Kopp**, Elburn, IL (US); **Michael R. Vogler**, Oswego, IL (US)
- (73) Assignee: **Suncast Technologies, LLC**, Palm Beach Gardens, FL (US)
- (\*\*) Term: **15 Years**
- (21) Appl. No.: **29/539,537**
- (22) Filed: **Sep. 15, 2015**
- (51) **LOC (10) Cl.** ..... **12-02**
- (52) **U.S. Cl.**  
USPC ..... **D34/17**
- (58) **Field of Classification Search**  
USPC ..... D34/12-27; 280/47.2, 47.18, 47.27, 280/47.34, 651, 33.996, 33.991, 33.994  
CPC ..... B62B 3/02; B62B 3/005; B62B 3/1404; B62B 3/002; B62B 3/00; B62B 3/04; B62B 3/14; B62B 3/001; B62B 3/022; B62B 3/027; B62B 3/12  
See application file for complete search history.

- 4,458,906 A \* 7/1984 Lamson ..... B62B 3/00 280/47.34
- D312,716 S \* 12/1990 Stephens, III ..... D34/12
- D337,410 S \* 7/1993 Jones ..... D12/14
- D340,334 S \* 10/1993 Kean ..... D34/17
- D340,335 S \* 10/1993 Kean ..... D34/17
- D404,871 S \* 1/1999 Golichowski ..... D34/17
- 6,024,376 A \* 2/2000 Golichowski ..... B62B 3/022 16/35 R
- D523,201 S \* 6/2006 Widmer ..... D34/12
- D570,068 S \* 5/2008 Dukes ..... D34/17
- D618,422 S \* 6/2010 Catron ..... D34/27
- 2003/0205873 A1 \* 11/2003 Orozco ..... B60B 33/0002 280/33.991

\* cited by examiner

*Primary Examiner* — Cynthia Ramirez  
(74) *Attorney, Agent, or Firm* — McHale & Slavin, P.A.

(57) **CLAIM**

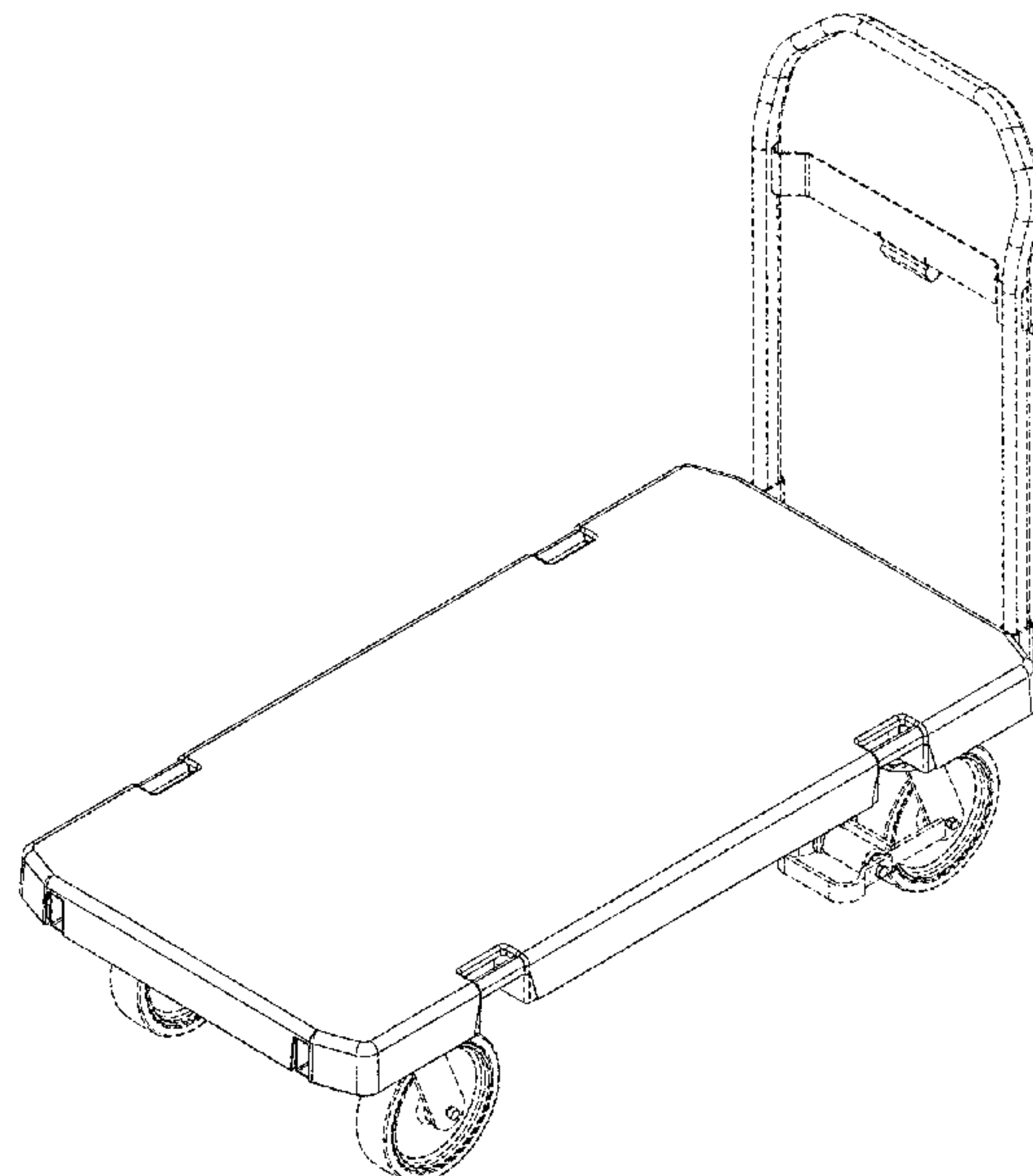
The ornamental design for a platform cart, as shown and described.

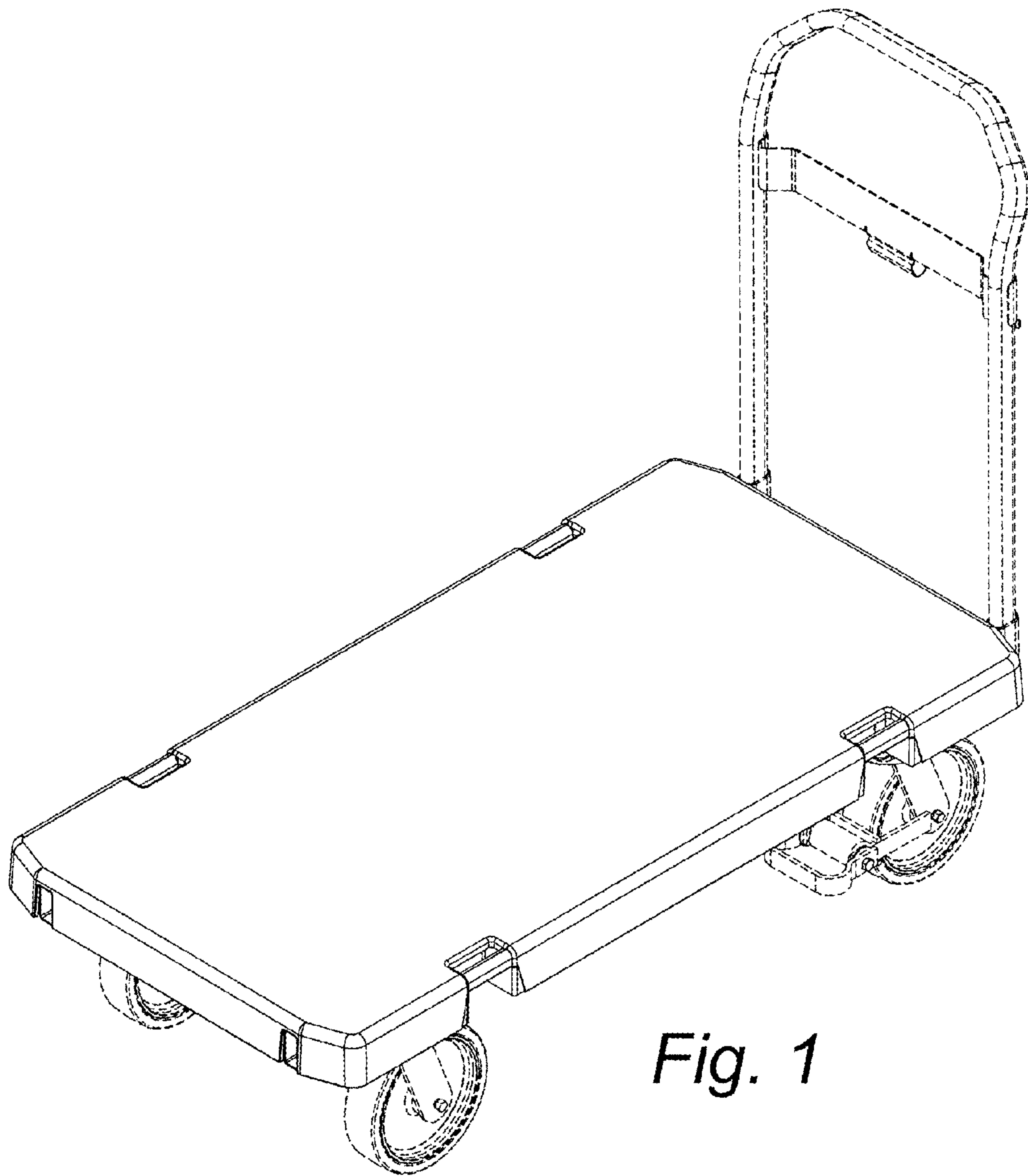
**DESCRIPTION**

FIG. 1 is a top, left perspective view of a platform cart showing our new design;  
FIG. 2 is a front view thereof;  
FIG. 3 is a rear view thereof;  
FIG. 4 is a right side view thereof;  
FIG. 5 is a left side view thereof;  
FIG. 6 is a bottom view thereof;  
FIG. 7 is a top view thereof; and,  
FIG. 8 is a bottom right perspective view thereof.  
The broken lines shown in the figures are included for the purpose of illustrating portions of the platform cart and form no part of the claimed design.

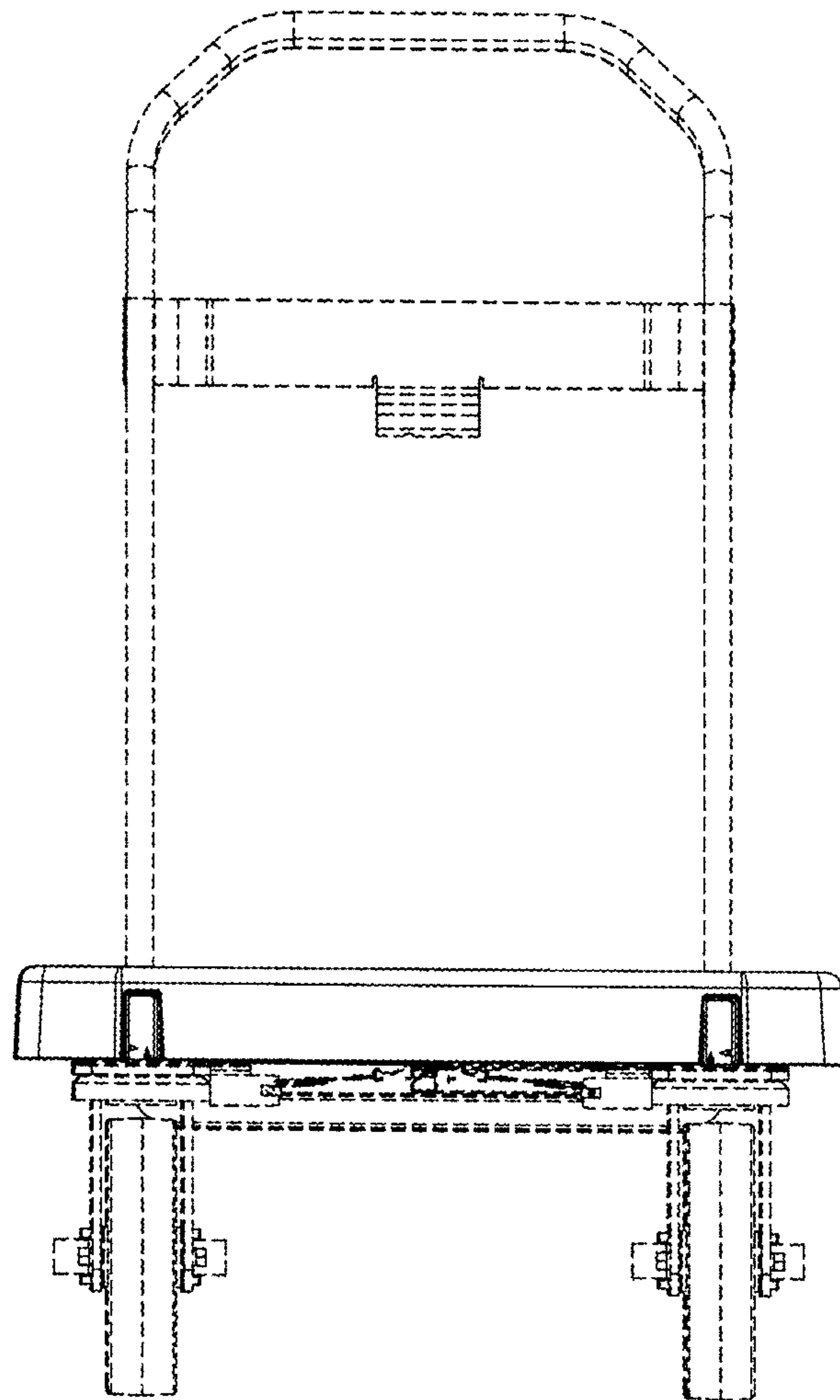
**1 Claim, 8 Drawing Sheets**

- (56) **References Cited**  
U.S. PATENT DOCUMENTS  
2,610,751 A \* 9/1952 Bevan ..... B66F 9/12 108/52.1  
2,763,389 A \* 9/1956 Heidenrich ..... B62D 49/007 280/43.24  
4,274,644 A \* 6/1981 Taylor ..... B62B 3/02 280/39

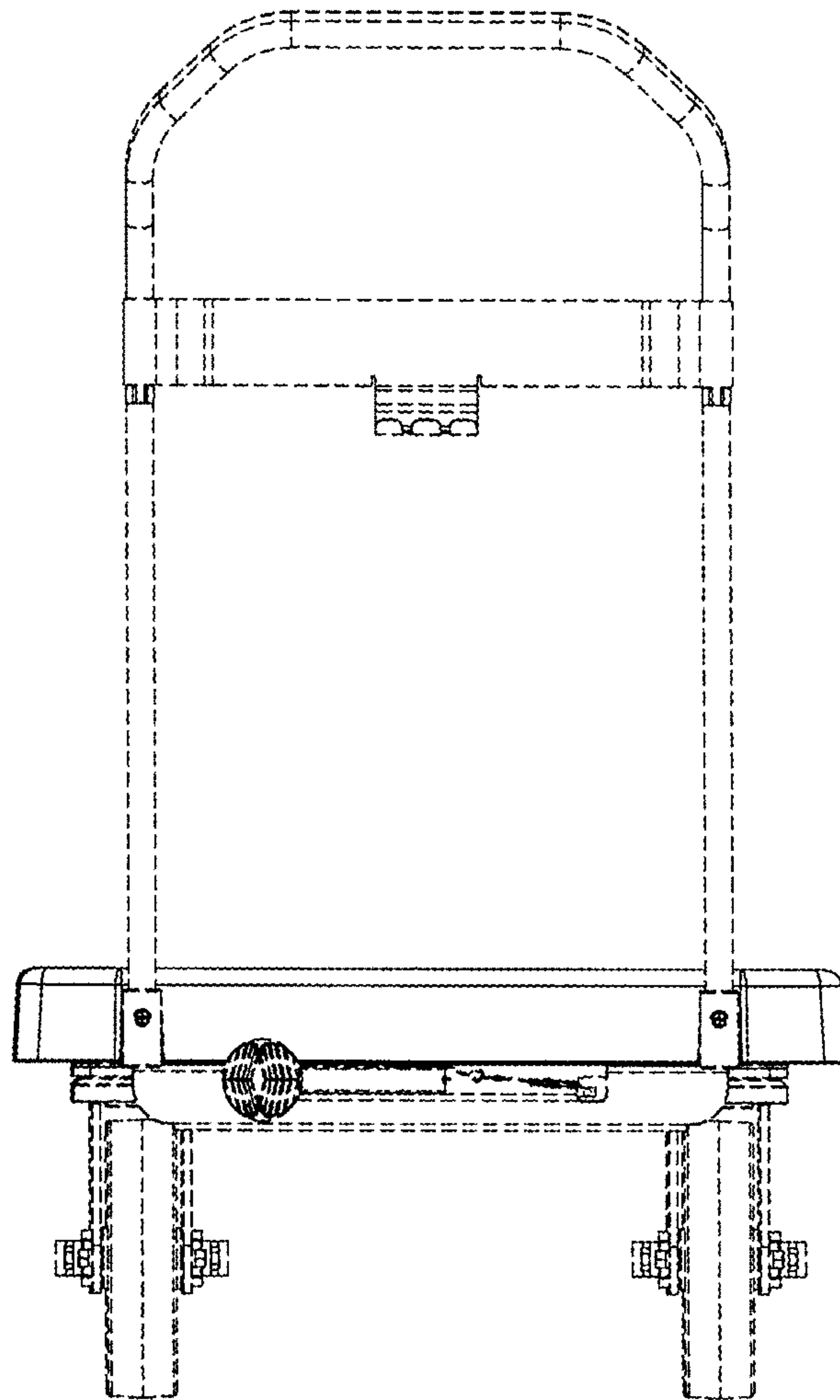




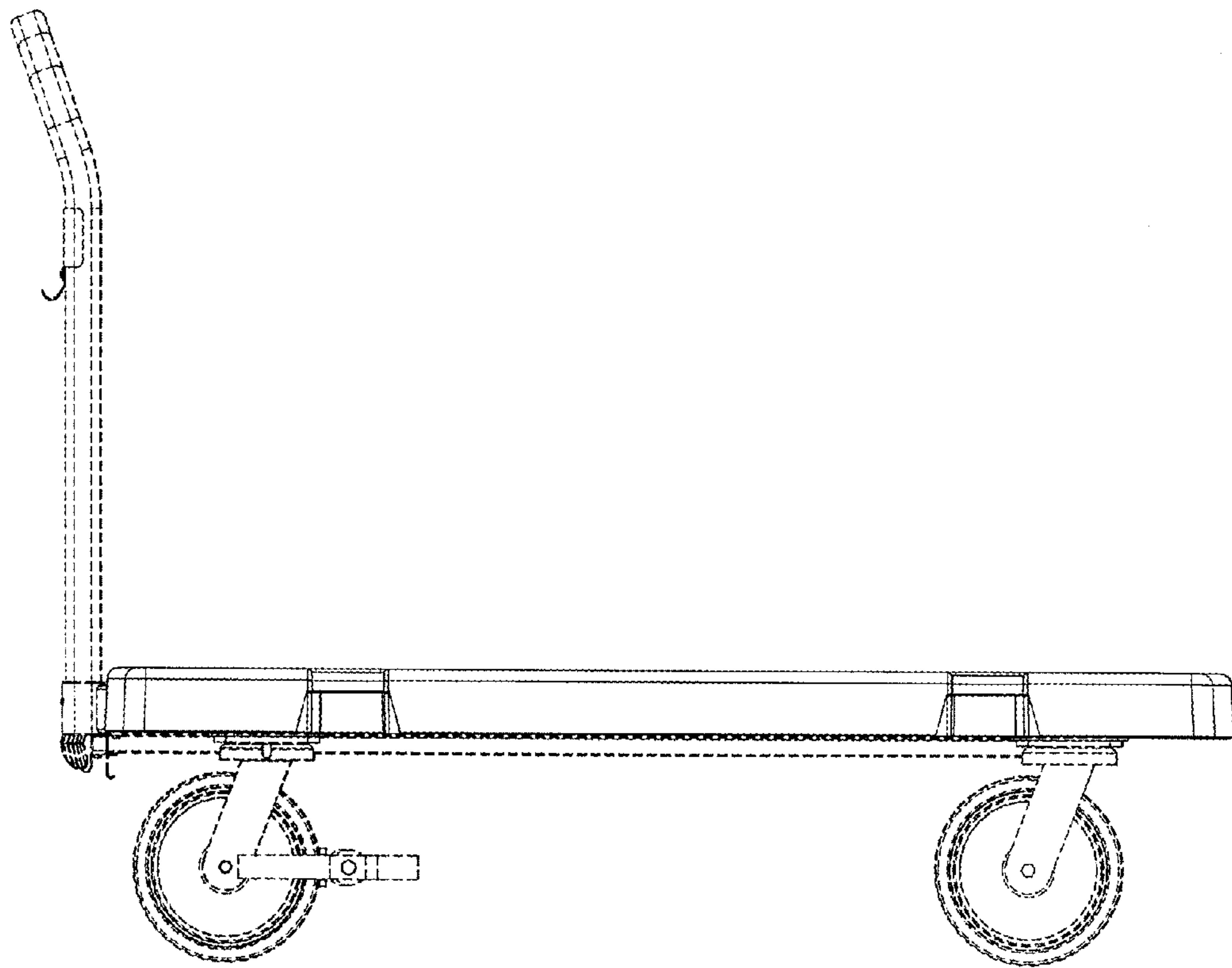
*Fig. 1*



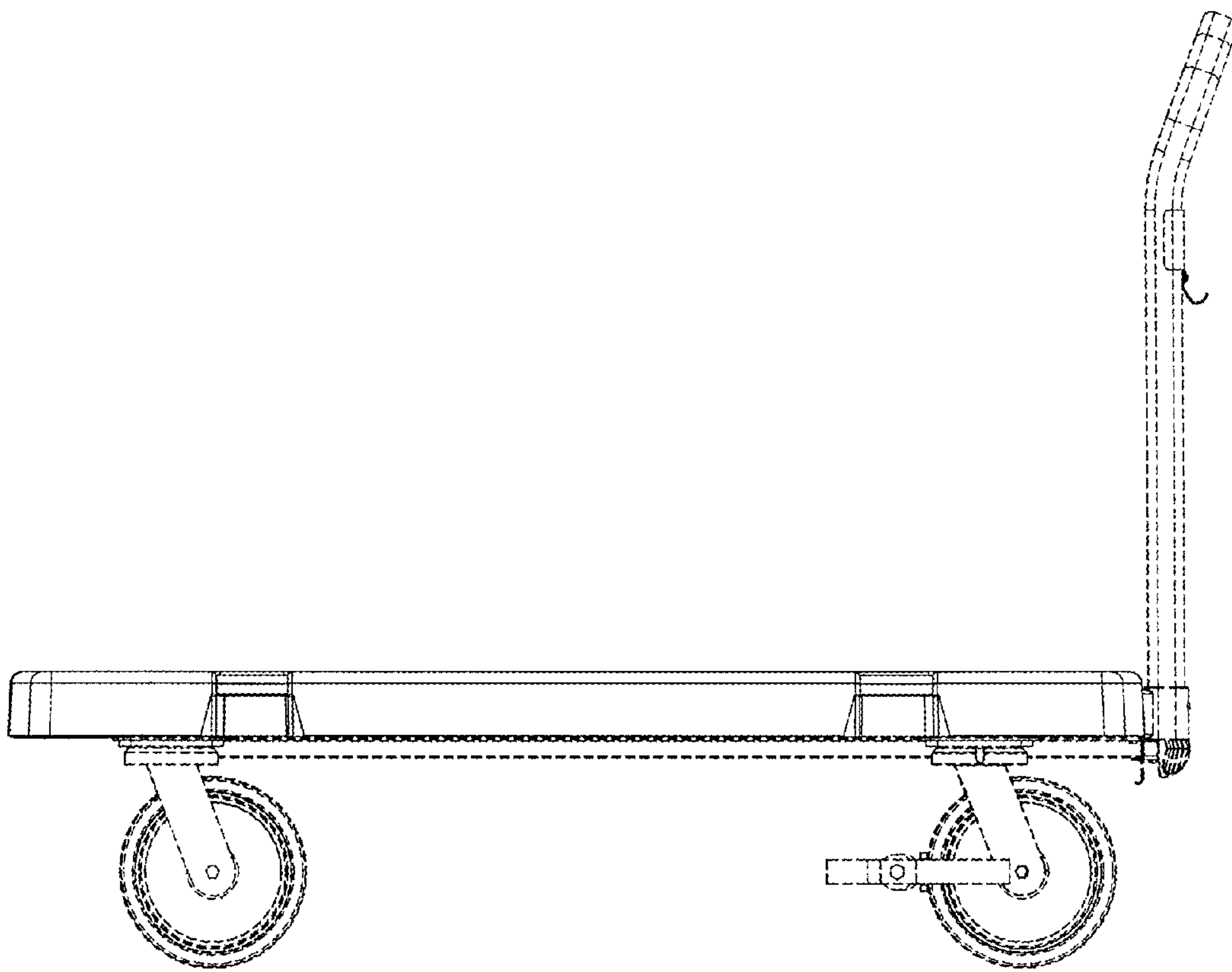
*Fig. 2*



*Fig. 3*

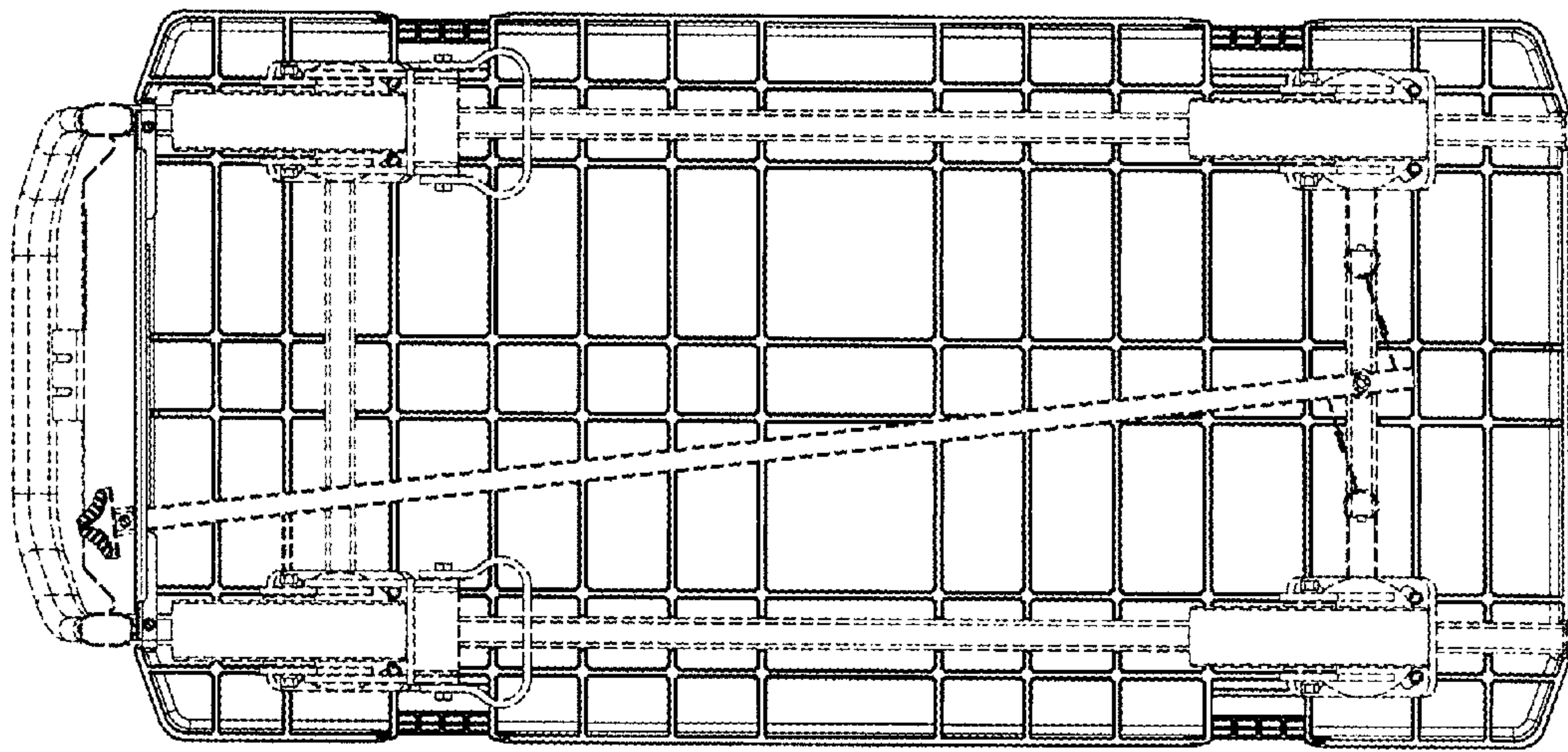


*Fig. 4*

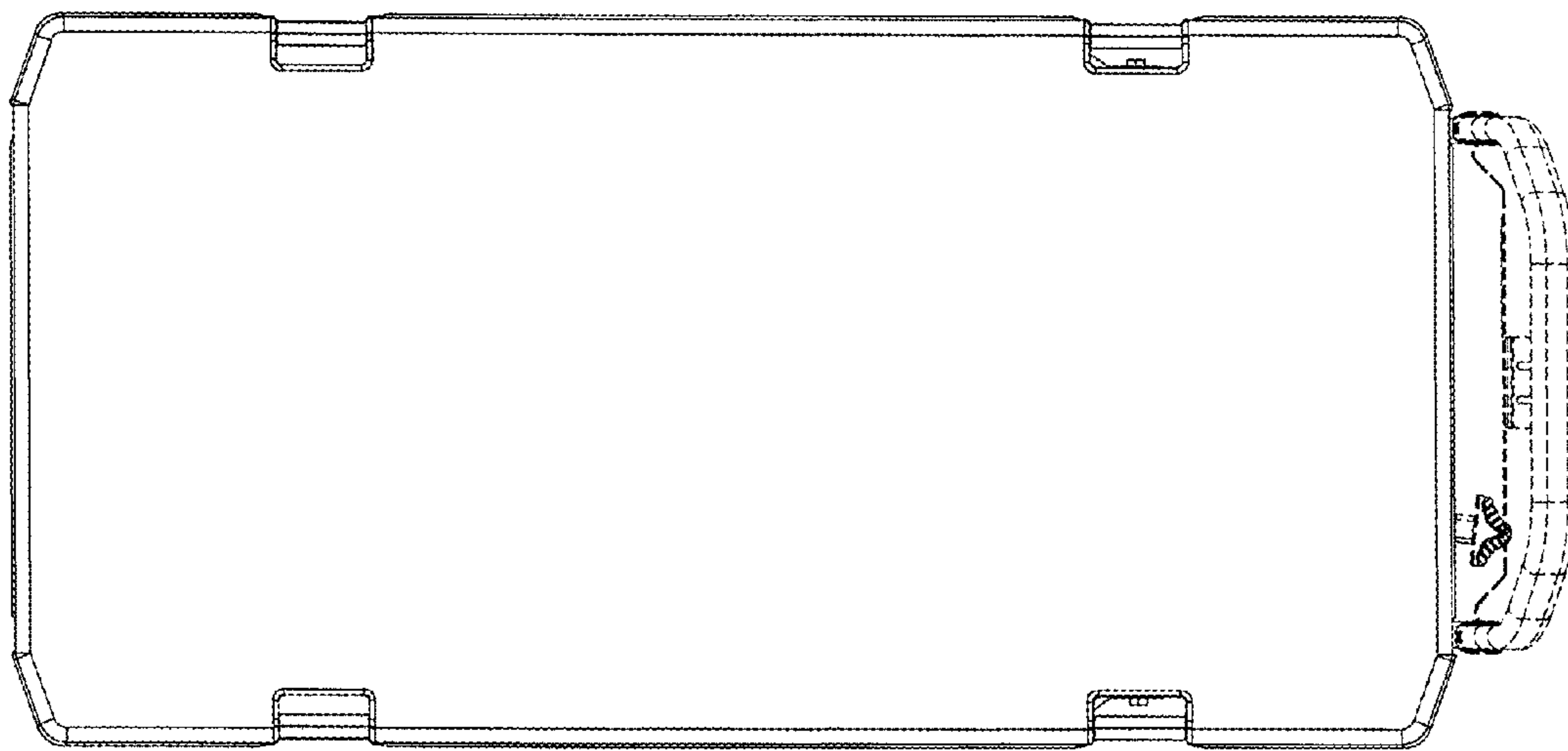


*Fig. 5*



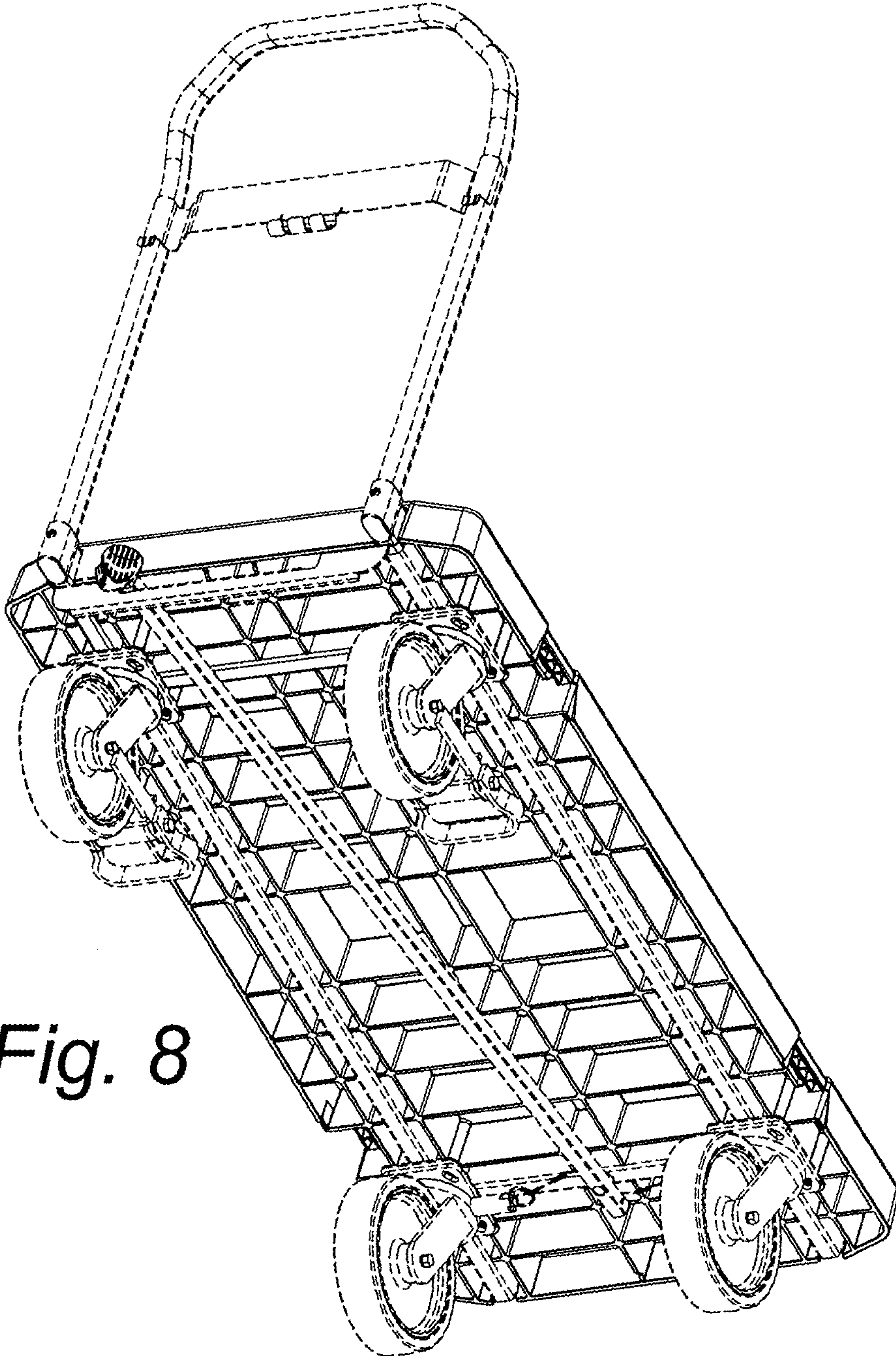


*Fig. 6*



*Fig. 7*





*Fig. 8*