



US00D779144S

(12) **United States Design Patent** (10) **Patent No.:** **US D779,144 S**
Layevsky (45) **Date of Patent:** **** Feb. 14, 2017**

(54) **MOP HEAD** 6,921,438 B2 * 7/2005 Lausevic A47L 9/02
134/21
(71) Applicant: **Euro-Pro Operating LLC**, Newton, MA (US) D530,049 S * 10/2006 Berti D32/44
D566,916 S * 4/2008 Nobile D32/40
D586,965 S * 2/2009 Libman D32/40
D591,019 S * 4/2009 Perry Zang Wentz Pho . D32/49
(72) Inventor: **Dmitry Layevsky**, Newton, MA (US) D704,910 S * 5/2014 Hughes D32/40
2001/0027587 A1 * 10/2001 Conrad A47L 9/02
15/419
(73) Assignee: **SharkNinja Operating LLC**, Newton, MA (US) 2002/0170140 A1 * 11/2002 Diaz A47L 9/02
15/415.1
(**) Term: **14 Years** 2004/0148732 A1 * 8/2004 Allard-Latour A47L 9/02
15/415.1

(Continued)

(21) Appl. No.: **29/481,134**
(22) Filed: **Jan. 31, 2014**
(51) **LOC (10) Cl.** **04-01**
(52) **U.S. Cl.**
USPC **D32/50**
(58) **Field of Classification Search**
USPC D32/40, 45, 50, 51
CPC A47L 13/20; A47L 13/22; A47L 13/225;
A47L 13/23
See application file for complete search history.

(56) **References Cited**
U.S. PATENT DOCUMENTS
963,049 A * 7/1910 Kenney A47L 9/02
15/325
4,559,665 A * 12/1985 Fitzwater A47L 11/4083
15/320
5,123,141 A * 6/1992 Erickson A47L 9/02
15/373
5,371,917 A 12/1994 Hoagland
6,249,932 B1 * 6/2001 Chu A47L 9/08
15/345
D446,895 S * 8/2001 Denney D32/40
6,421,875 B1 * 7/2002 Coombs A47L 9/02
15/415.1
6,799,351 B2 * 10/2004 Porath A47L 9/02
15/325

OTHER PUBLICATIONS

U.S. Appl. No. 29/449,432, filed Mar. 15, 2013, Hughes et al.

Primary Examiner — T. Chase Nelson
Assistant Examiner — Michelle E Wilson
(74) *Attorney, Agent, or Firm* — Ntellect Law, P.C.

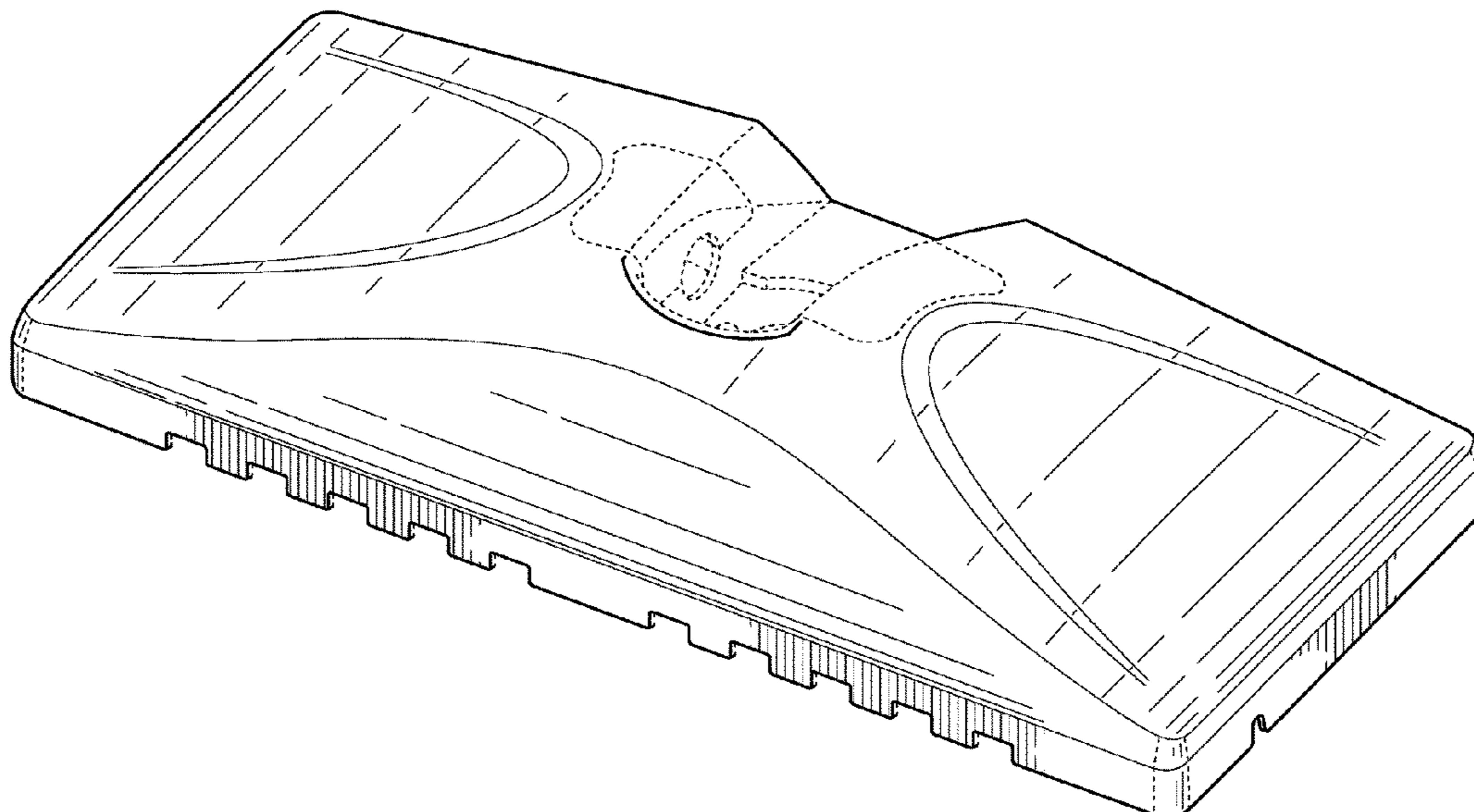
(57) **CLAIM**

The ornamental design for a mop head, as shown and described.

DESCRIPTION

FIG. 1 is a top, right side, perspective view of a mop head showing our new design;
FIG. 2 is a bottom, right side, perspective view thereof;
FIG. 3 is a front elevational view thereof;
FIG. 4 is a rear elevational view thereof;
FIG. 5 is a right side elevational view thereof;
FIG. 6 is a left side elevational view thereof;
FIG. 7 is a top plan view thereof; and,
FIG. 8 is a bottom plan view thereof.
The broken lines shown in FIGS. 1-8 illustrate portions of the mop head that form no part of the claimed design.

1 Claim, 7 Drawing Sheets



(56)

References Cited

U.S. PATENT DOCUMENTS

2005/0120513 A1* 6/2005 Lee A47L 9/0416
15/415.1
2009/0094780 A1* 4/2009 Jansen A47L 5/30
15/320
2010/0319158 A1* 12/2010 Ashbee A47L 9/02
15/415.1
2010/0319159 A1* 12/2010 Gell A47L 9/0606
15/415.1
2012/0079671 A1 4/2012 Stickney et al.
2013/0174374 A1* 7/2013 Guder A47L 9/02
15/415.1
2013/0219655 A1* 8/2013 Moyher, Jr. A47L 9/0477
15/415.1
2014/0033470 A1* 2/2014 Codling A47L 9/0673
15/415.1

* cited by examiner

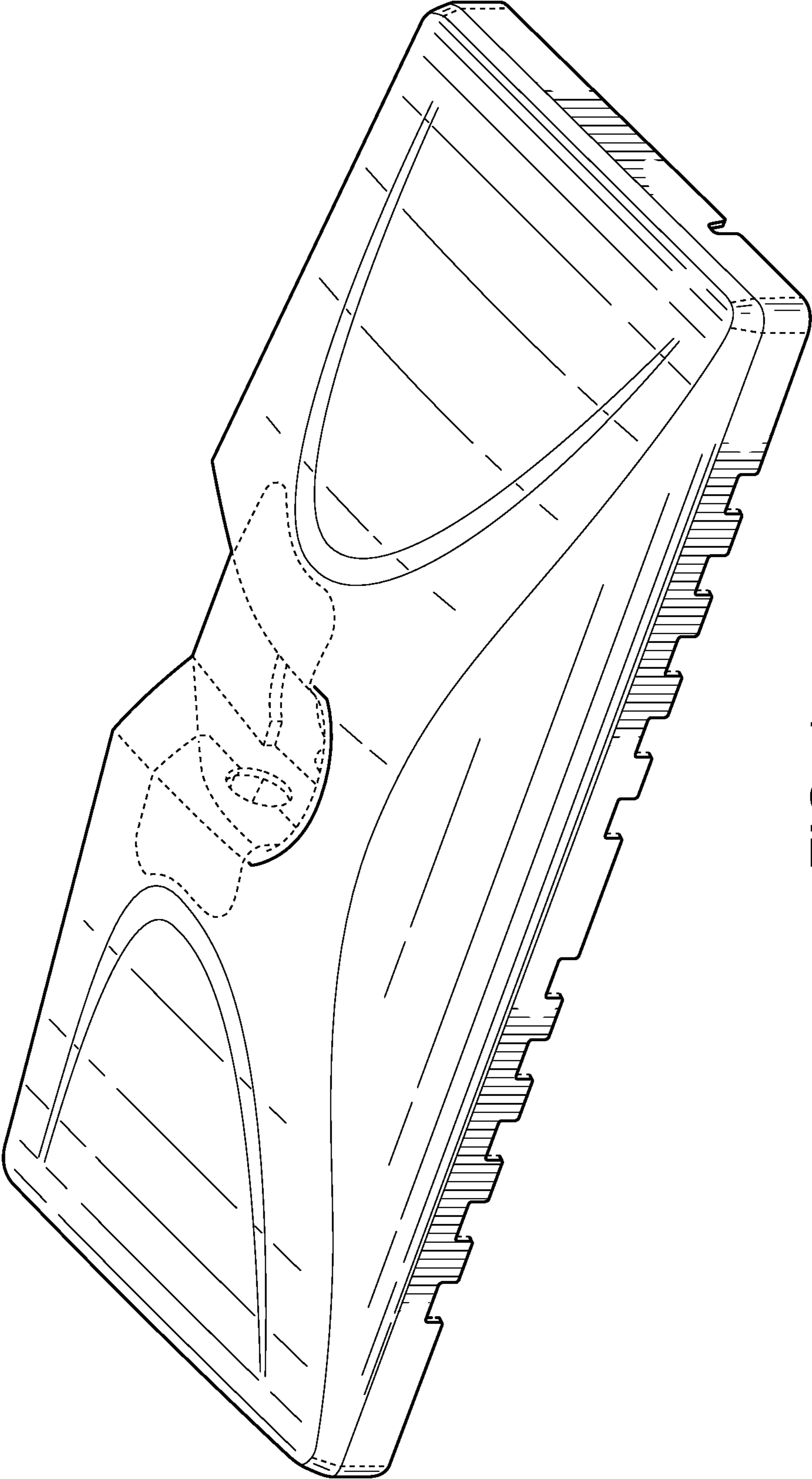


FIG. 1

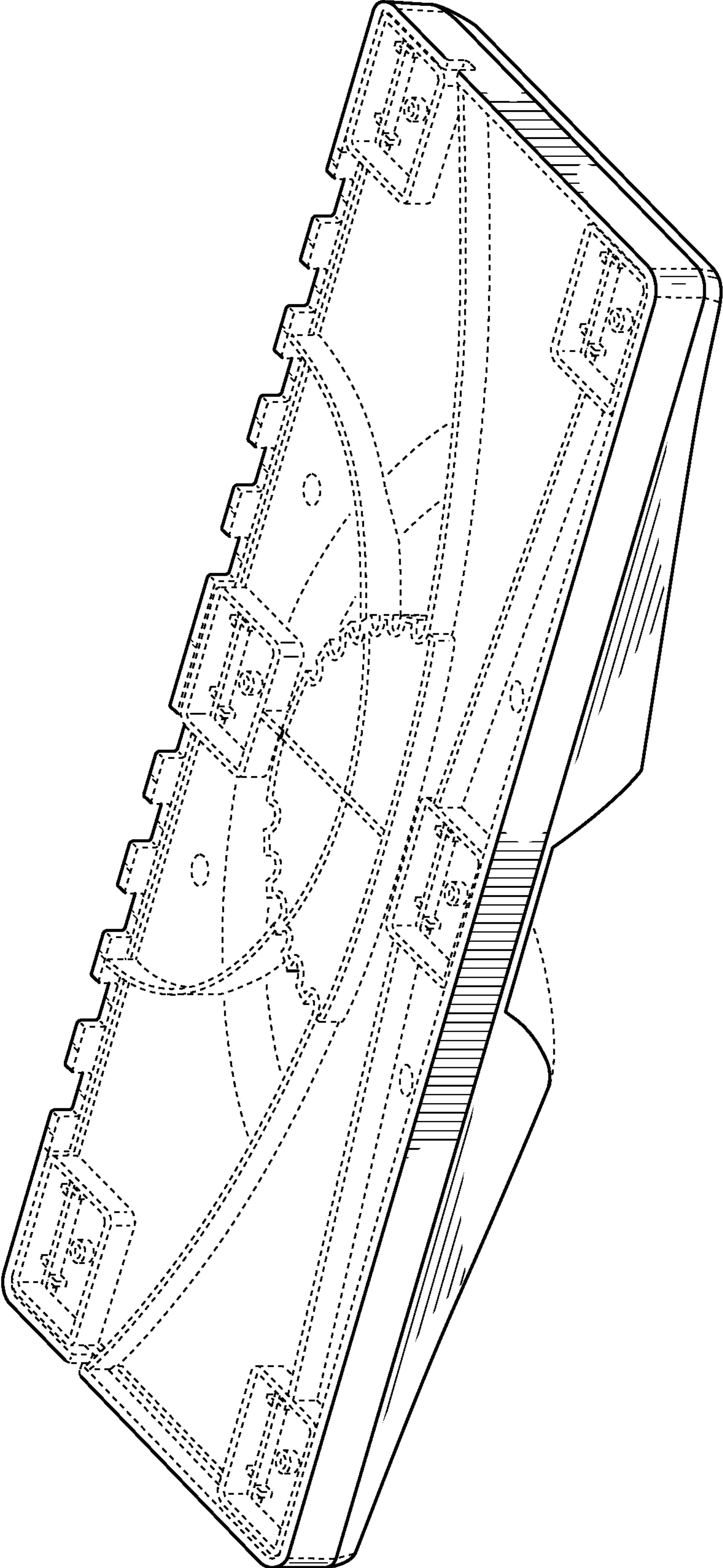


FIG. 2

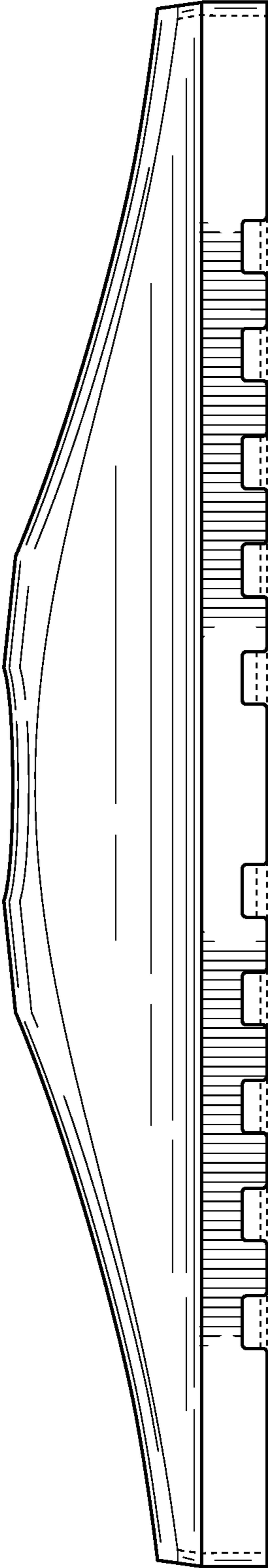


FIG. 3

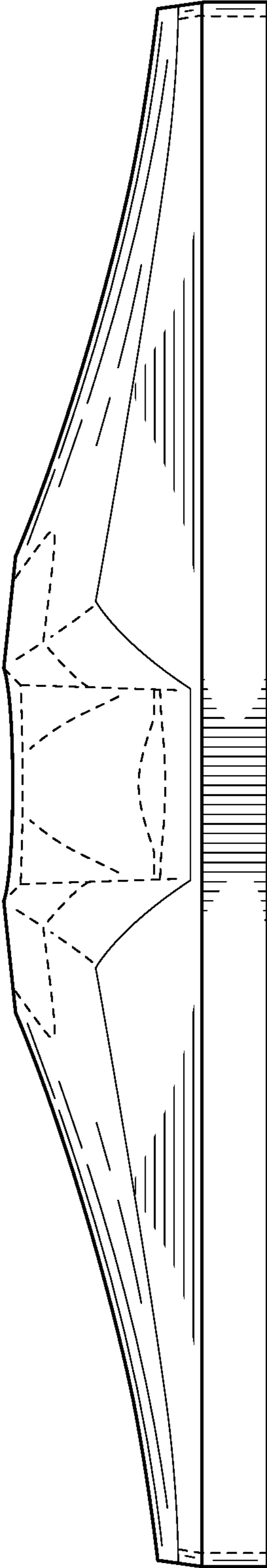


FIG. 4

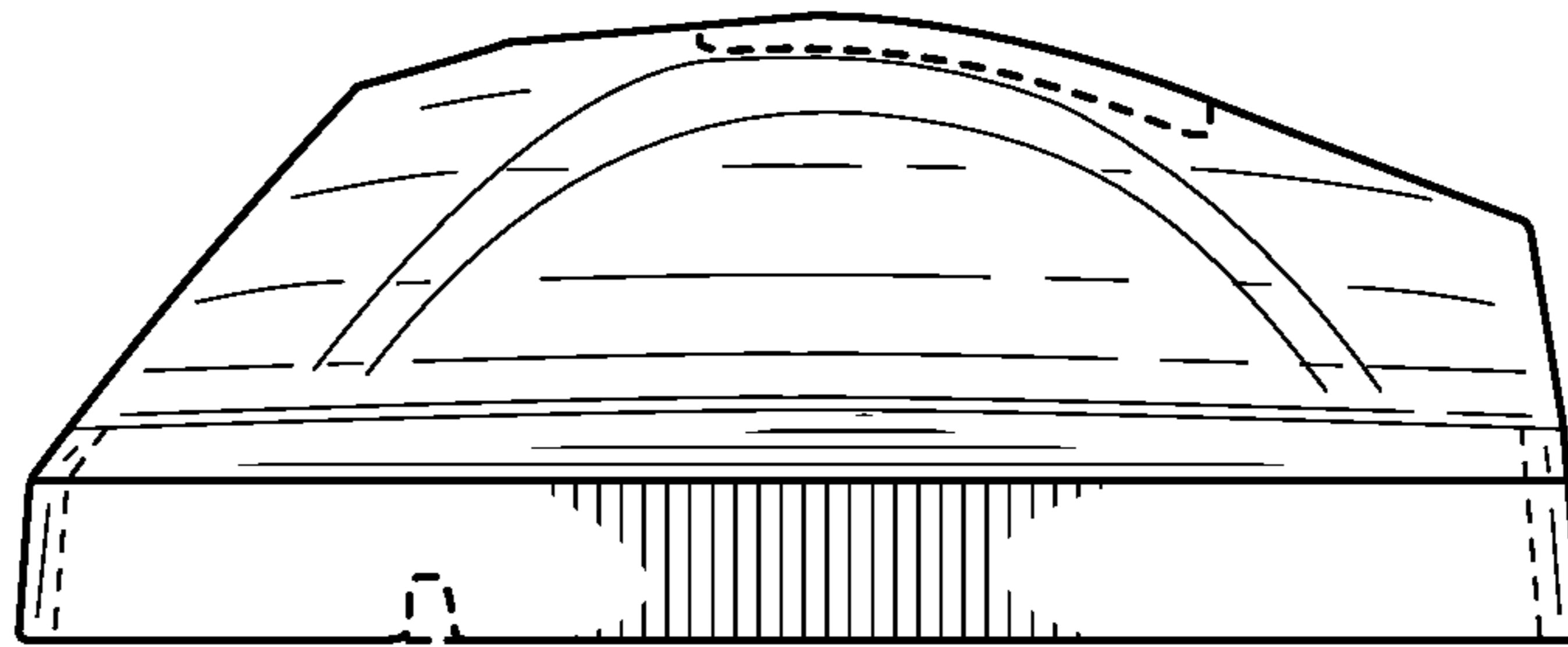


FIG. 5

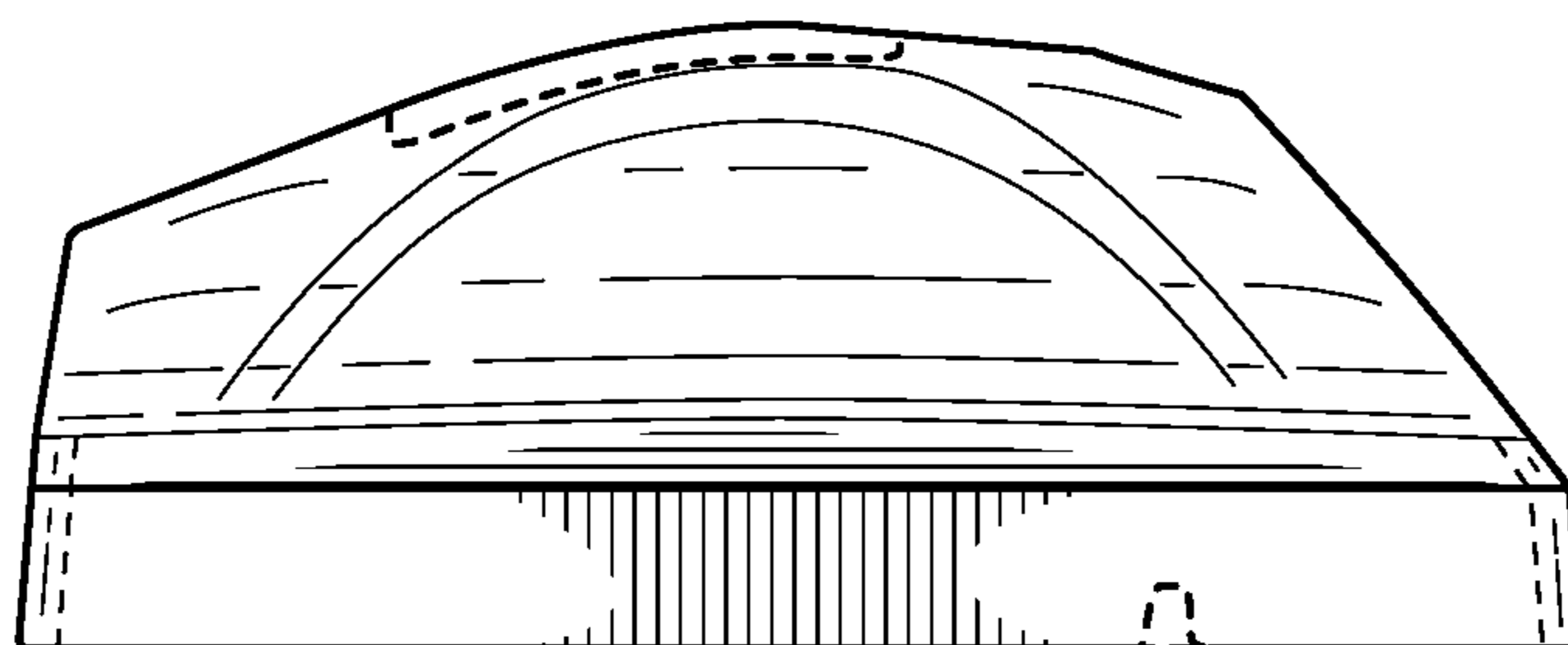


FIG. 6

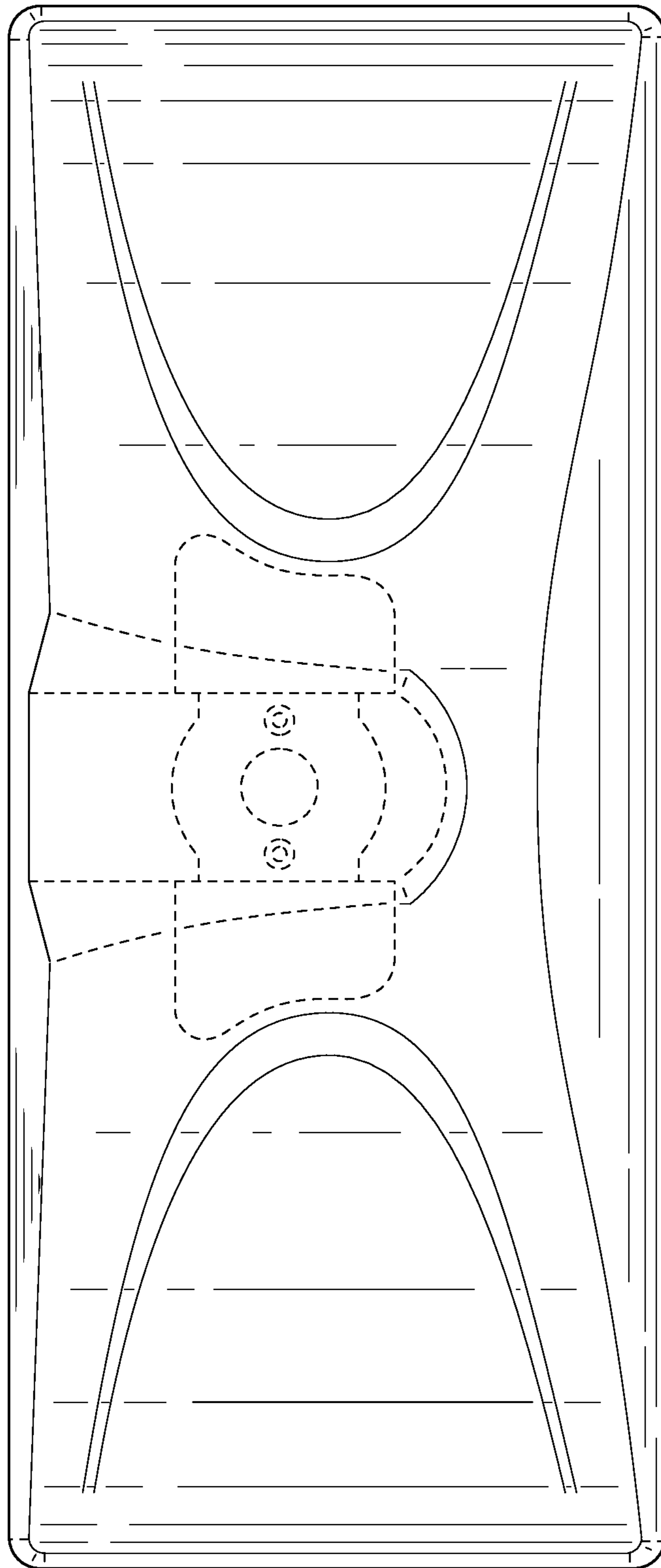


FIG. 7

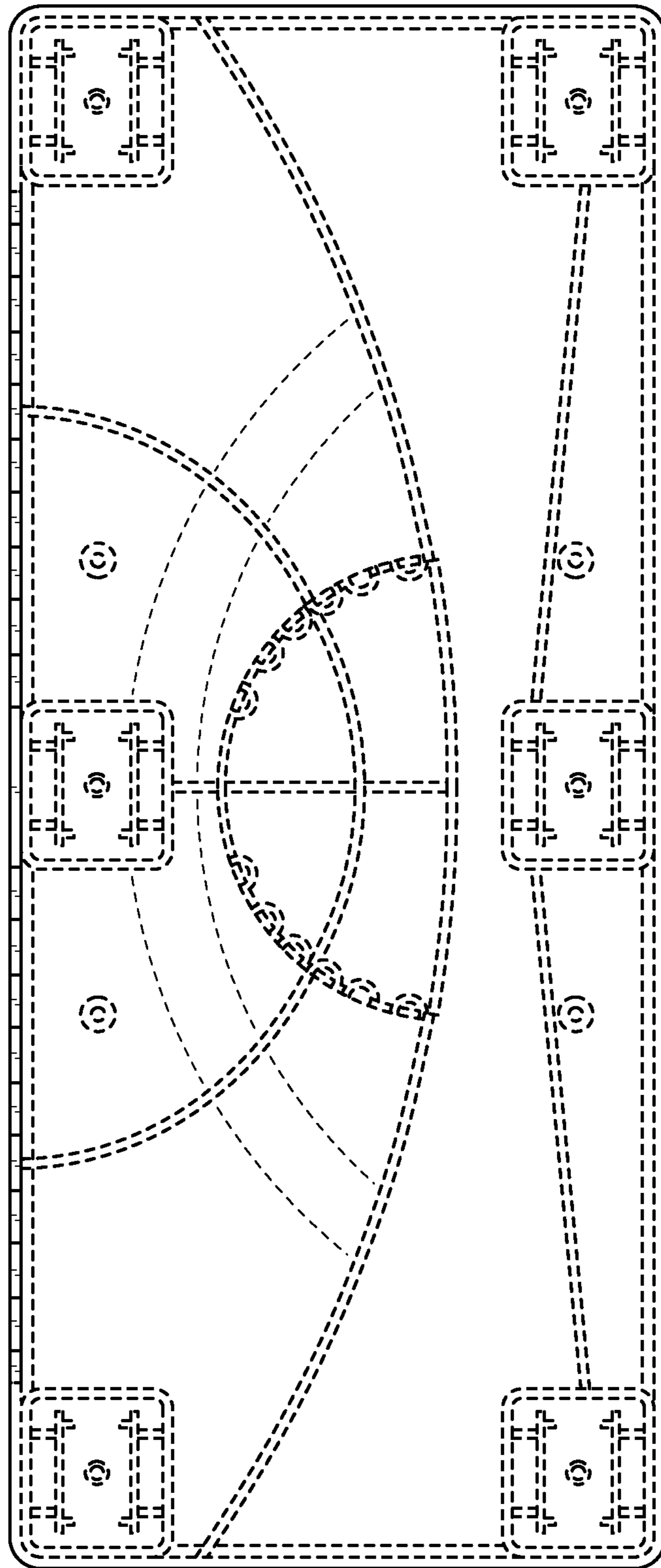


FIG. 8