



US00D779143S

(12) **United States Design Patent** (10) **Patent No.:** **US D779,143 S**
Sgroi, Jr. et al. (45) **Date of Patent:** **** Feb. 14, 2017**

(54) **WINDOW SCRAPER**
(71) Applicant: **Unger Marketing International, LLC**,
Bridgeport, CT (US)
(72) Inventors: **Anthony Sgroi, Jr.**, Wallingford, CT
(US); **Raymond E. Clepper**, Brooklyn,
NY (US)
(73) Assignee: **Unger Marketing International, LLC**,
Bridgeport, CT (US)

1,500,132 A 7/1924 Hummelgard
1,603,914 A 10/1926 Hermann
1,584,021 A 5/1928 Melvin
1,864,011 A 6/1932 Brown
2,032,664 A 3/1936 Raptis
2,119,045 A 5/1938 Deitrich
2,145,985 A 2/1939 Krajicek
2,245,096 A 6/1941 Penney
2,276,026 A 3/1942 Davidson, Jr.

(Continued)

(**) Term: **14 Years**

(21) Appl. No.: **29/489,094**

(22) Filed: **Apr. 25, 2014**

(51) **LOC (10) Cl.** **08-05**

(52) **U.S. Cl.**
USPC **D32/46; D32/49**

(58) **Field of Classification Search**
USPC D32/46, 49; D8/14, 45, 46, 47, 105, 98,
D8/90; D7/682; D4/136
CPC B25G 3/26; B25G 1/04; B25B 13/48;
A45B 9/02; B05C 17/0205
See application file for complete search history.

(56) **References Cited**

U.S. PATENT DOCUMENTS

656,468 A 8/1900 Mullin et al.
693,518 A 2/1902 Hamilton
731,338 A 6/1903 Cattelle
736,741 A 8/1903 Klemm
952,746 A 3/1910 Lane
1,068,683 A 7/1913 Malek
1,315,901 A 9/1919 Ballinger
1,353,490 A 9/1920 Pantalek
1,452,893 A 4/1923 Porth
1,463,745 A 7/1923 Layne

FOREIGN PATENT DOCUMENTS

DE 3520187 12/1986
GB 2085789 5/1982
WO 0006347 2/2000

Primary Examiner — T. Chase Nelson

Assistant Examiner — Michelle E Wilson

(74) *Attorney, Agent, or Firm* — Ohlandt, Greeley,
Ruggiero & Perle, LLP

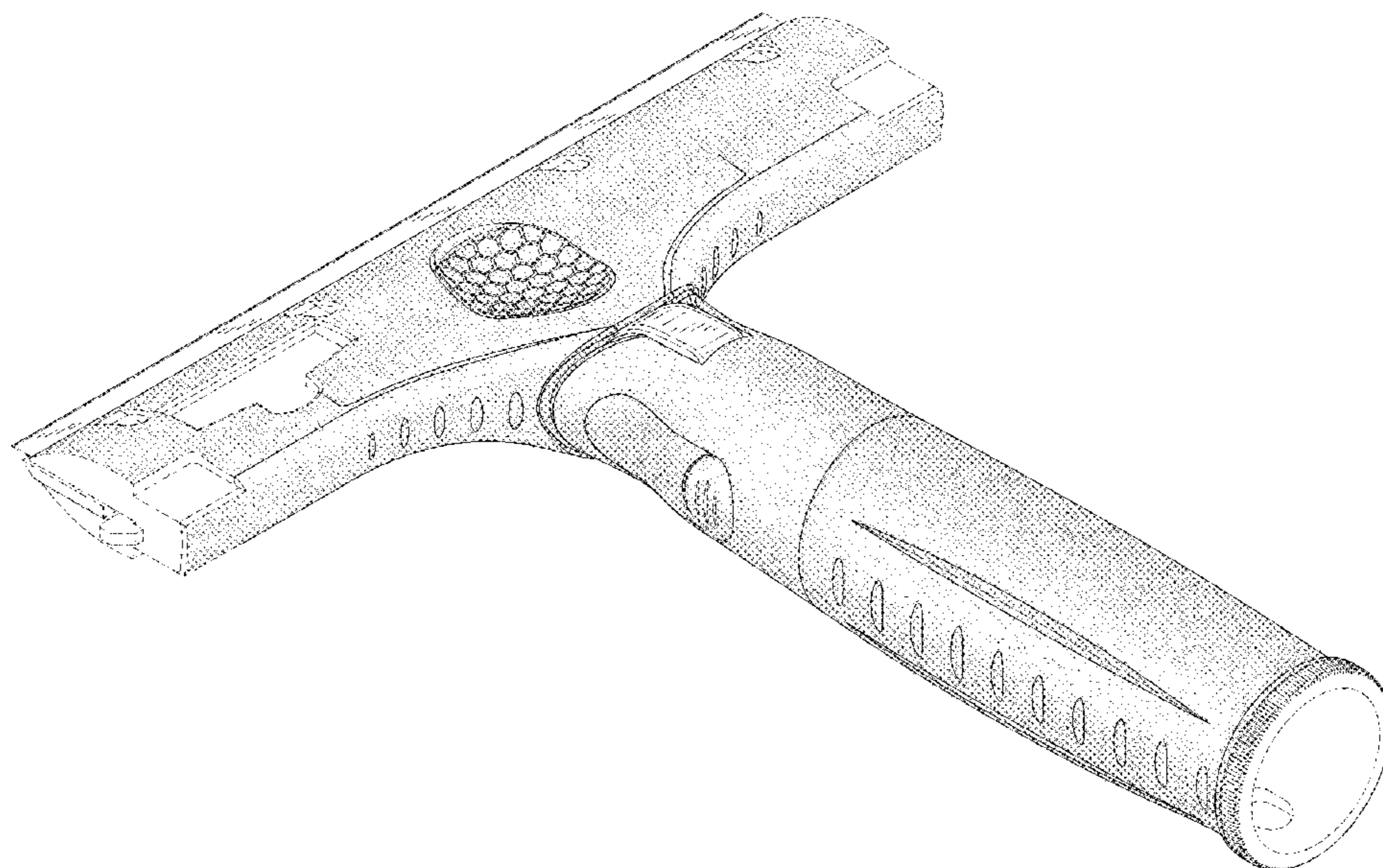
(57) **CLAIM**

The ornamental design for a window scraper, as shown and described.

DESCRIPTION

FIG. 1 is an isometric view of a window scraper according to the present disclosure;
FIG. 2 is a front view of the window scraper of FIG. 1;
FIG. 3 is a back view of the window scraper of FIG. 1;
FIG. 4 is a first side view of the window scraper of FIG. 1;
FIG. 5 is a second, opposite side view of the window scraper of FIG. 1;
FIG. 6 is a top view of the window scraper of FIG. 1; and,
FIG. 7 is a bottom view of the window scraper of FIG. 1.
The broken lines depict portions of the window scraper that form no part of the claimed design.

1 Claim, 6 Drawing Sheets



(56)

References Cited

U.S. PATENT DOCUMENTS

2,286,190 A	6/1942	Abrahamsen	5,433,004 A	7/1995	Thompson et al.
2,336,284 A	12/1943	Nelson	5,435,064 A	7/1995	Brookfield
2,376,887 A	5/1945	Walters	5,445,981 A	8/1995	Lee
2,730,800 A	1/1956	Bailey	D364,252 S	11/1995	Henke
2,783,537 A	3/1957	Gringer	5,471,698 A	12/1995	Francis et al.
2,846,764 A	8/1958	Hyneman	5,481,804 A	1/1996	Platts
2,862,296 A	12/1958	Anderson	5,495,673 A	3/1996	Gardiner et al.
2,948,961 A	8/1960	Ortner	5,528,832 A	6/1996	Schmidt
3,107,426 A	10/1963	Robinson, Jr.	5,528,834 A	6/1996	Seber et al.
3,132,371 A	5/1964	Enos et al.	5,545,175 A	8/1996	Abidin et al.
3,162,947 A	12/1964	Gringer	5,581,890 A	12/1996	Schmidt
3,192,624 A	7/1965	Gringer	5,581,893 A	12/1996	Oullette
3,250,000 A	5/1966	Schumman	5,613,300 A	3/1997	Schmidt
3,577,637 A	5/1971	Braginetz	5,621,973 A	4/1997	Seber et al.
3,667,122 A	6/1972	Black	5,694,692 A	12/1997	Reinschreiber
3,688,401 A	9/1972	Hartman	5,769,094 A	6/1998	Jenkins, Jr. et al.
3,781,988 A	1/1974	Jones	D396,910 S *	8/1998	Henke D32/48
3,879,847 A	4/1975	Roll	5,806,189 A	9/1998	Bailey
3,892,039 A	7/1975	Fisher	5,813,121 A	9/1998	Gringer
3,906,627 A	9/1975	Manning	5,852,874 A	12/1998	Walker
D240,370 S	7/1976	Kuehl	5,878,501 A	3/1999	Owens et al.
D240,699 S	7/1976	Gerson	5,890,290 A	4/1999	Davis
4,005,525 A	2/1977	Gringer	D411,429 S	6/1999	Gringer
4,086,698 A	5/1978	Sparks	5,911,761 A	6/1999	Tilley
4,091,537 A	5/1978	Stevenson, Jr.	5,956,788 A	9/1999	Henke
4,103,421 A	8/1978	Quenot	D420,882 S	2/2000	Majolo et al.
4,115,892 A	9/1978	Stickler	6,018,836 A	2/2000	Williams
4,139,939 A	2/1979	Crooks	6,026,575 A	2/2000	Wonderley
4,200,977 A	5/1980	Kageyama et al.	6,035,536 A	3/2000	Dewberry
4,242,795 A	1/1981	Rollband et al.	6,044,562 A	4/2000	Dillenbeck
D267,826 S	2/1983	Gringer	6,058,607 A	5/2000	Gringer
D274,952 S	7/1984	Gringer	6,155,620 A	12/2000	Armstrong
D274,953 S	7/1984	Gringer	6,161,290 A	12/2000	Takamasa
4,558,517 A	12/1985	Gringer	6,178,640 B1	1/2001	Votolato
D282,881 S	3/1986	Gringer	D437,764 S	2/2001	Zimmerman
4,574,417 A	3/1986	Magnasco	D439,128 S	3/2001	Wass
4,587,735 A	5/1986	Walters et al.	6,219,878 B1	4/2001	Dewberry
4,621,425 A	11/1986	Stoutenberg	6,219,923 B1	4/2001	Sinisi et al.
4,660,284 A	4/1987	Decarolis	6,263,577 B1	7/2001	Wonderley
4,805,304 A	2/1989	Knoop	6,286,215 B1	9/2001	Panaccione
4,817,284 A	4/1989	Sacherman et al.	6,317,986 B1	11/2001	Huang
4,835,865 A	6/1989	Knoop	D452,759 S *	1/2002	Spear D32/46
4,922,569 A	5/1990	Brinker et al.	D453,251 S	1/2002	Gringer
D313,507 S	1/1991	Sawyer	6,334,254 B1	1/2002	Wonderley
4,987,682 A	1/1991	Minnick	6,349,473 B1	2/2002	Schmidt
D314,696 S	2/1991	Lucrelli	6,352,888 B1	3/2002	Kim
5,012,581 A	5/1991	Fletcher et al.	6,354,007 B1	3/2002	Scarla
5,022,156 A	6/1991	Kallens et al.	6,415,514 B1	7/2002	Chun
5,025,558 A	6/1991	Gilbert	6,438,849 B1	8/2002	Wonderley
5,031,322 A	7/1991	Jacoff	D463,639 S	9/2002	Panfili et al.
D319,147 S	8/1991	Eberle, III	6,453,559 B1	9/2002	Marshall et al.
D319,378 S	8/1991	Wilcox	D467,395 S	12/2002	McCool
5,036,591 A	8/1991	Cousins	6,487,778 B1	12/2002	Gringer et al.
D320,921 S *	10/1991	Henke D8/14	D468,989 S	1/2003	Gringer et al.
5,056,226 A	10/1991	Gringer	6,519,801 B1	2/2003	Chao
5,099,539 A	3/1992	Forester	6,530,098 B1	3/2003	Gringer et al.
D326,546 S	5/1992	Gringer	6,568,087 B1	5/2003	Gringer
5,110,230 A	5/1992	Cole, Jr. et al.	6,578,229 B1	6/2003	Dziallas et al.
5,121,544 A	6/1992	Gilbert	6,578,266 B2	6/2003	Chomiak
5,141,517 A	8/1992	Shutt	D478,493 S	8/2003	Martone et al.
5,164,871 A	11/1992	Hughes et al.	D479,374 S	9/2003	Gringer et al.
5,175,902 A	1/1993	Samuelsson	D479,375 S	9/2003	Gringer et al.
D332,901 S	2/1993	Campbell	D480,288 S	10/2003	Delillo
5,241,750 A	9/1993	Chomiak	D481,500 S *	10/2003	Libman D32/41
5,265,969 A	11/1993	Chuang	D481,501 S *	10/2003	Richter D32/41
D343,265 S *	1/1994	Pollak D32/41	6,643,936 B2	11/2003	Carlson et al.
5,289,637 A	3/1994	Coffey	6,688,003 B2	2/2004	Scarla
5,293,791 A	3/1994	Allen et al.	D489,851 S	5/2004	Jones et al.
D346,319 S	4/1994	Lavallee et al.	6,732,395 B2	5/2004	Gringer
5,299,355 A	4/1994	Boda et al.	6,742,951 B2	6/2004	Schultz et al.
5,330,494 A	7/1994	van der Westhuizen et al.	6,748,659 B1	6/2004	Street
5,386,632 A	2/1995	Shmidt	D500,184 S *	12/2004	Libman D32/41
5,400,509 A	3/1995	Collins	6,832,438 B1	12/2004	Gringer et al.
RE34,979 E	6/1995	Gringer	6,907,668 B2	6/2005	Polei
5,426,855 A	6/1995	Keklak et al.	6,915,577 B2	7/2005	Scala
			6,931,690 B2	8/2005	Cox
			6,964,100 B1	11/2005	Misland et al.
			6,968,622 B2	11/2005	Ping
			6,990,705 B1	1/2006	Schouten et al.

(56)

References Cited

U.S. PATENT DOCUMENTS

D516,263 S	2/2006	Gringer et al.	7,913,349 B2	3/2011	Byrnes	
7,000,282 B2	2/2006	Cox et al.	D636,957 S *	4/2011	Raven	D32/41
7,007,392 B2	3/2006	Ping	3,046,922 A1	11/2011	Eby et al.	
7,032,941 B2	4/2006	Heneveld	8,171,646 B2	5/2012	Chiu	
7,040,022 B2	5/2006	Ping	8,214,964 B1	7/2012	Coleman	
7,055,204 B2	6/2006	Ajluni	8,356,415 B2	1/2013	Lin	
7,055,407 B2	6/2006	Gringer et al.	8,438,688 B2	5/2013	Weinberger et al.	
D531,003 S	10/2006	Collinds	D685,554 S *	7/2013	Malvasio	D32/40
7,134,207 B2	11/2006	Ping	8,495,784 B2	7/2013	Steinhardt et al.	
7,155,770 B2	1/2007	Anderson et al.	8,544,146 B2	10/2013	Curien	
D537,591 S	2/2007	Gringer et al.	2002/0078518 A1	6/2002	Jiang	
D548,415 S *	8/2007	Libman	2002/0124412 A1	9/2002	Votolato	
D549,543 S	8/2007	Tsai	2002/0124418 A1	9/2002	Votolato	
7,293,317 B2	11/2007	Tsuchiya et al.	2003/0110570 A1	6/2003	Gringer	
7,325,313 B2	2/2008	Gringer et al.	2003/0110641 A1	6/2003	Gringer	
D564,161 S	3/2008	Talesfore et al.	2004/0045167 A1	3/2004	Gringer et al.	
7,346,988 B2	3/2008	Gringer et al.	2004/0142647 A1	7/2004	Goulet et al.	
7,350,998 B2	4/2008	Walsh, III	2005/0097753 A1	5/2005	Gringer et al.	
D570,063 S *	5/2008	Manak	2005/0097756 A1	5/2005	Gringer et al.	
7,380,341 B2	6/2008	Ping	2005/0193568 A1	9/2005	Peyrot et al.	
7,413,366 B2	8/2008	Bensussan	2006/0080843 A1	4/2006	Gringer et al.	
7,415,769 B2	8/2008	Hughes	2006/0162106 A1	7/2006	Ross	
D584,871 S	1/2009	Arvinte et al.	2006/0260084 A1	11/2006	Guizzi	
7,475,480 B2	1/2009	Votolato	2007/0169353 A1	7/2007	Wu	
7,480,997 B2	1/2009	Ping	2008/0052856 A1	3/2008	Lin	
D587,871 S *	3/2009	van Deursen	2008/0083118 A1	4/2008	Steigerwalt et al.	
D592,370 S *	5/2009	van Deursen	2008/0163493 A1	7/2008	Votolato	
7,600,287 B1	10/2009	Moore et al.	2008/0289190 A1	11/2008	Jennings et al.	
7,617,559 B2	11/2009	Jiang	2009/0199409 A1	8/2009	Zeng	
D605,911 S	12/2009	Lian et al.	2009/0313836 A1	12/2009	Wei	
D606,375 S	12/2009	Divita	2010/0162509 A1	7/2010	Liao	
7,694,422 B2	4/2010	Vaes	2010/0162573 A1	7/2010	Liao	
D622,114 S	8/2010	Balliet	2010/0263214 A1	10/2010	Robinson et al.	
7,797,835 B2	9/2010	Zeng	2011/0114118 A1	5/2011	Gracindo et al.	
7,802,340 B2	9/2010	Knopow et al.	2011/0119853 A1 *	5/2011	Chen	A47L 13/08 15/236.01
7,814,664 B2	10/2010	LeBlanc et al.	2011/0167647 A1	7/2011	Gringer et al.	
7,891,898 B2	2/2011	Hoadley et al.	2013/0174364 A1	7/2013	Cheng et al.	
D634,600 S	3/2011	Gringer et al.	2013/0185943 A1	7/2013	Landwehr	
			2013/0239345 A1	9/2013	Giustetto	

* cited by examiner

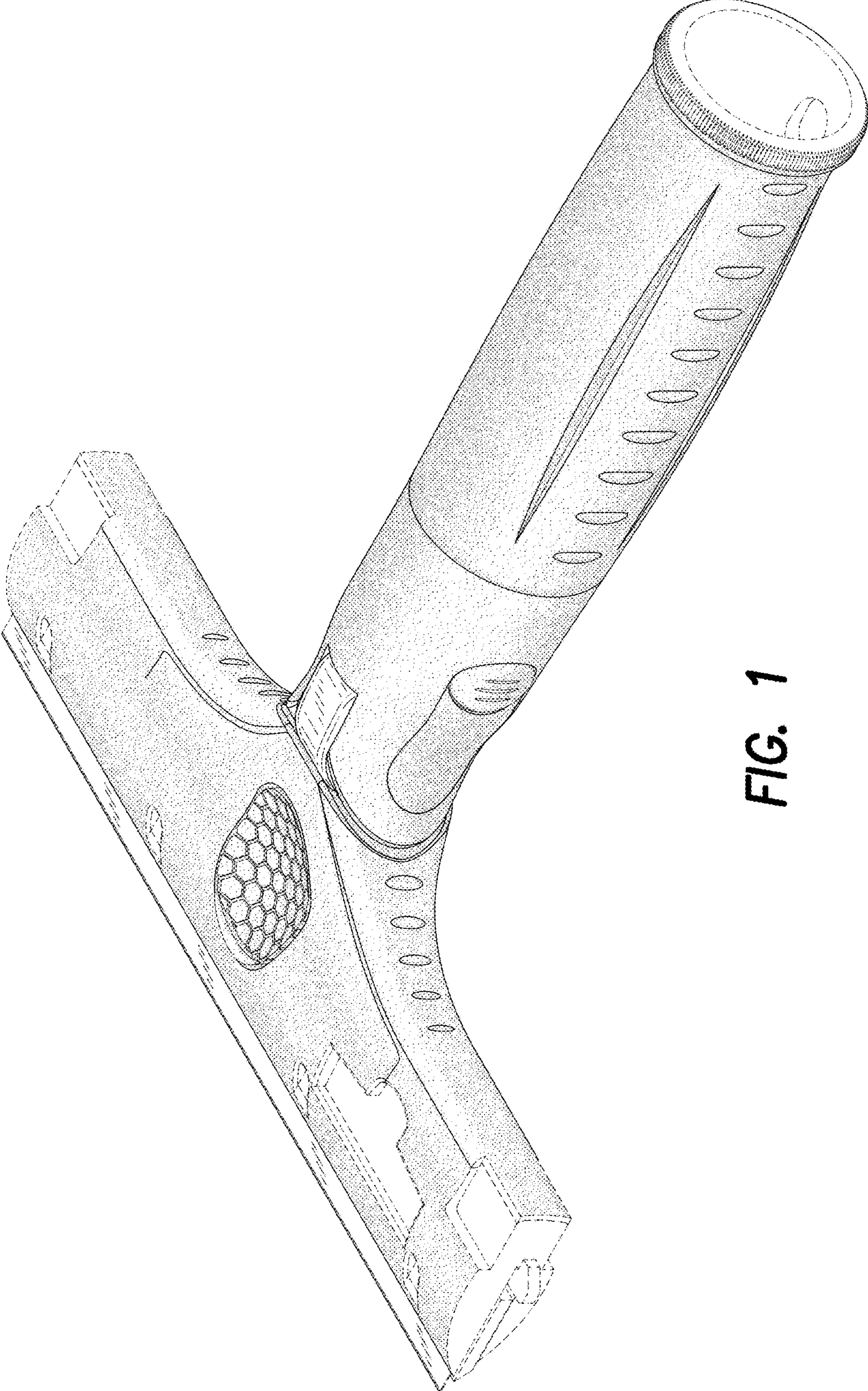


FIG. 1

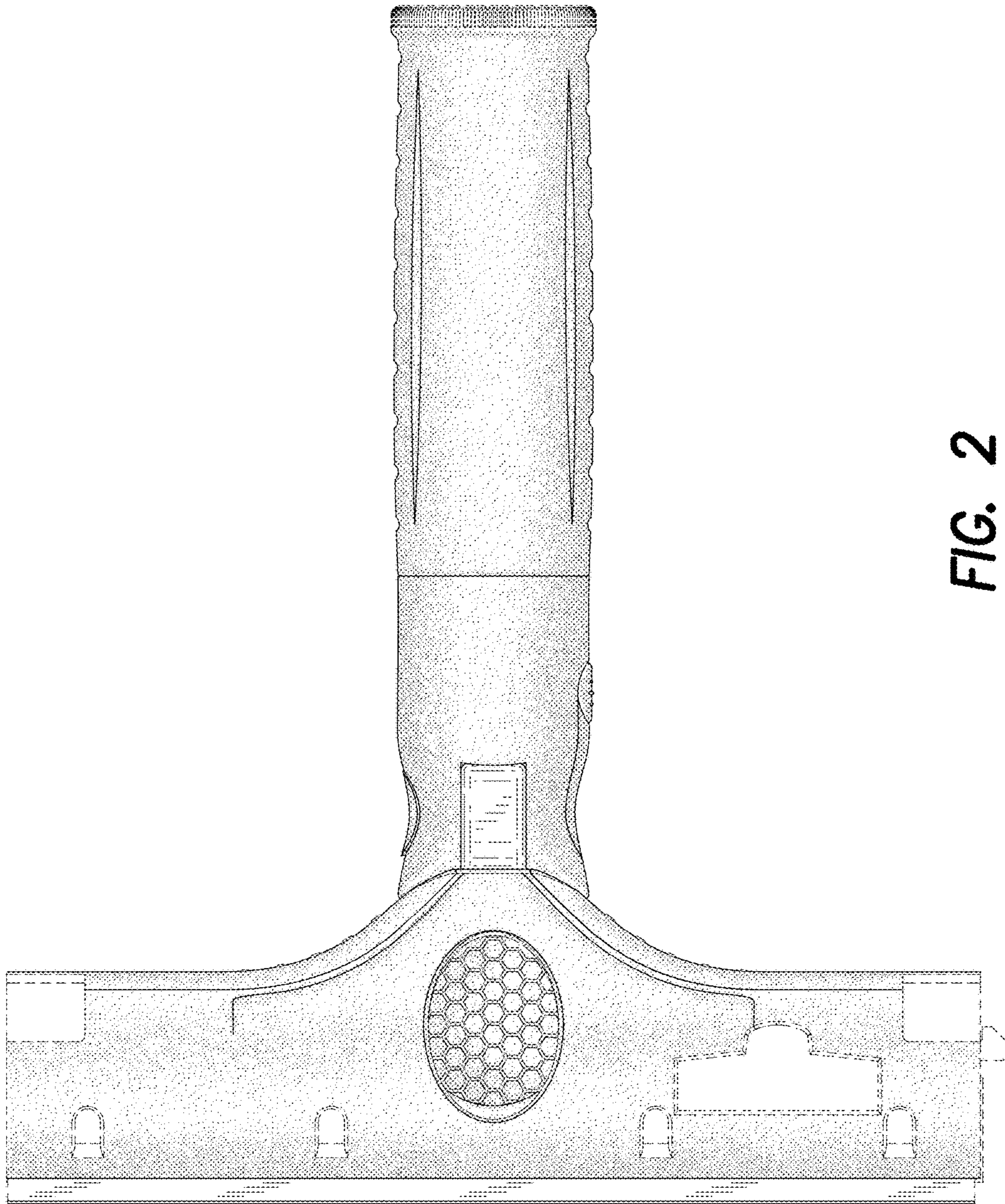


FIG. 2

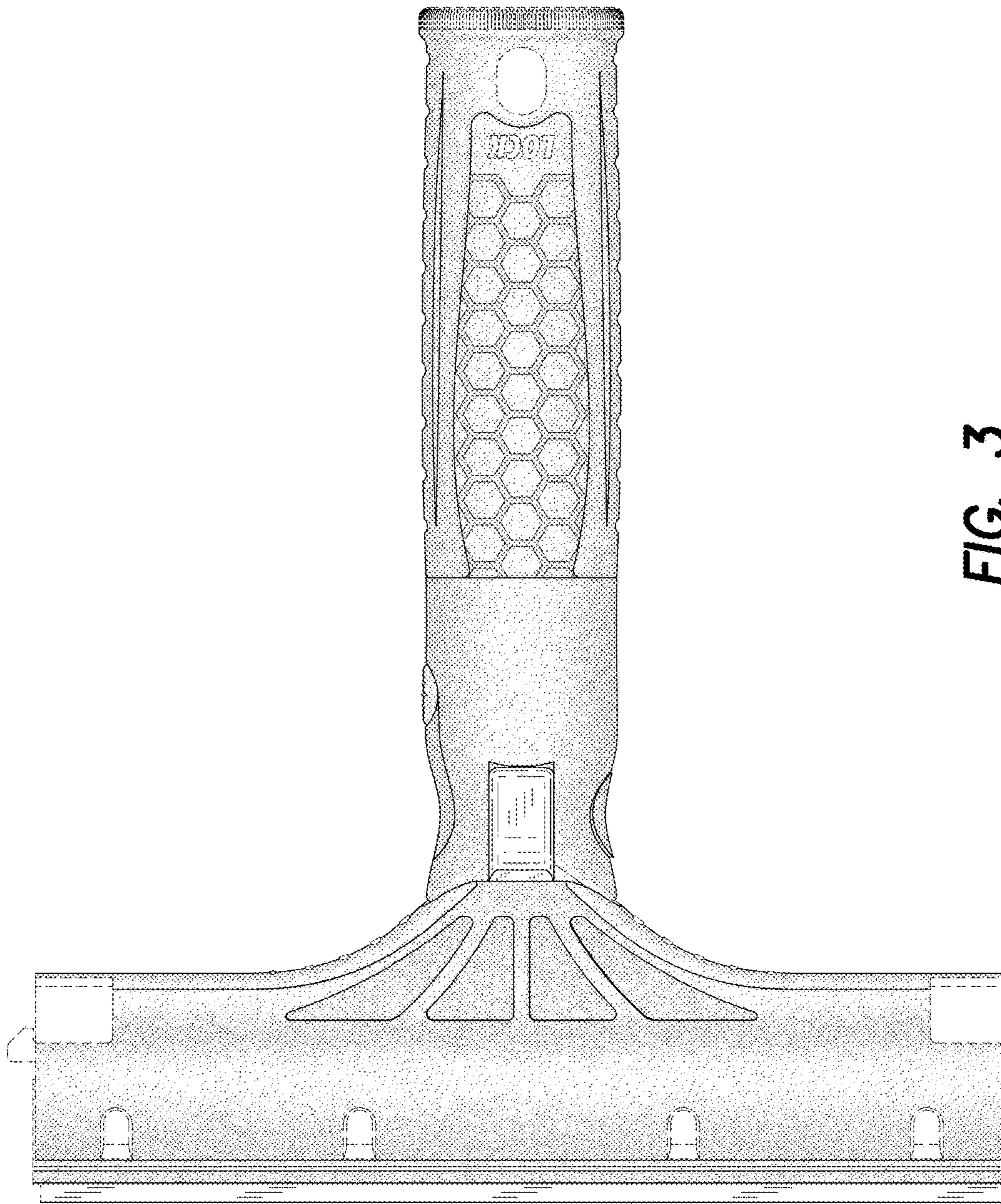


FIG. 3

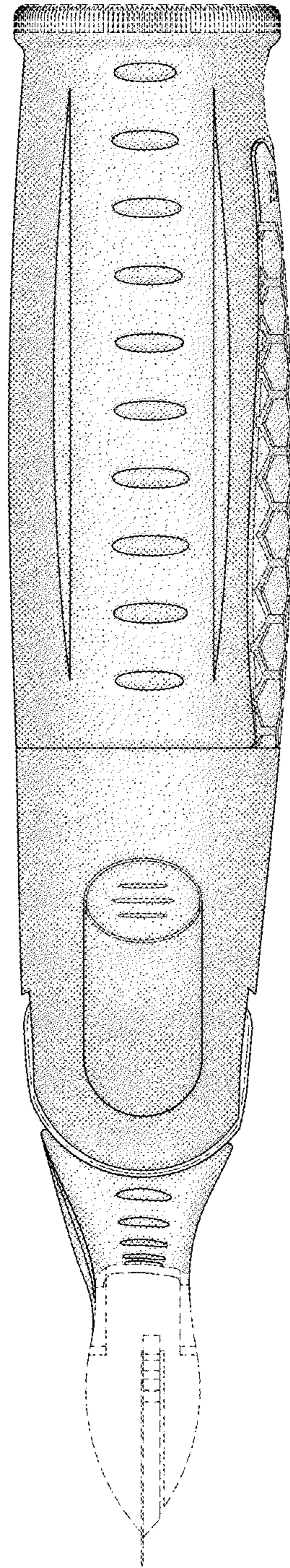


FIG. 4

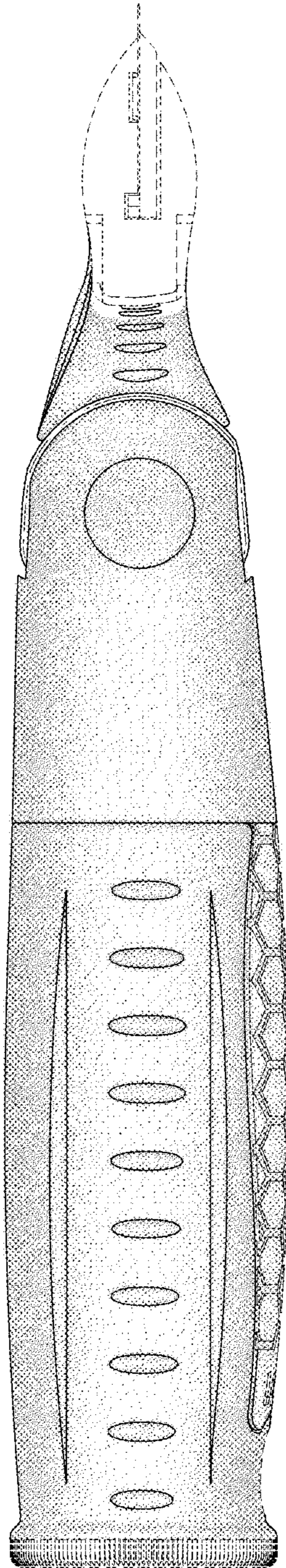


FIG. 5

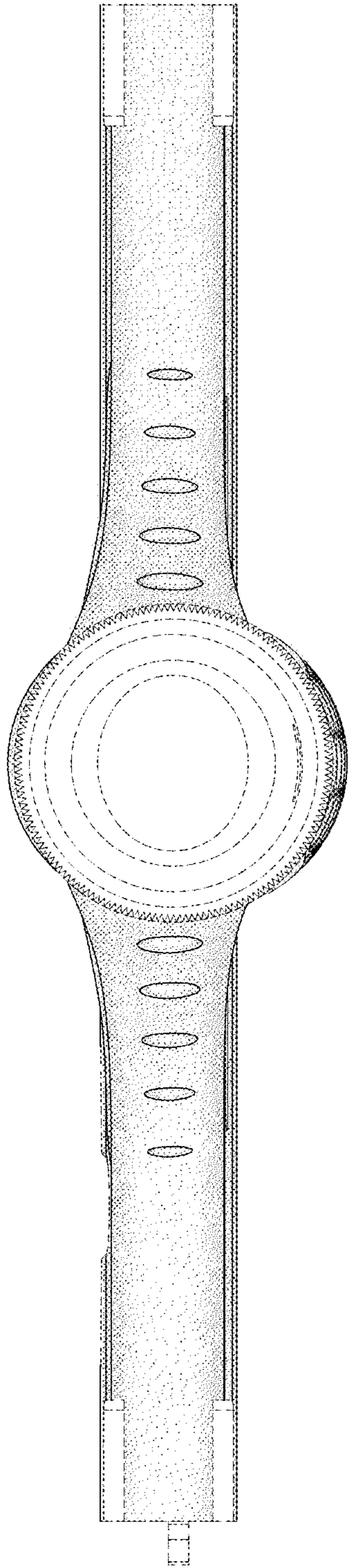


FIG. 6

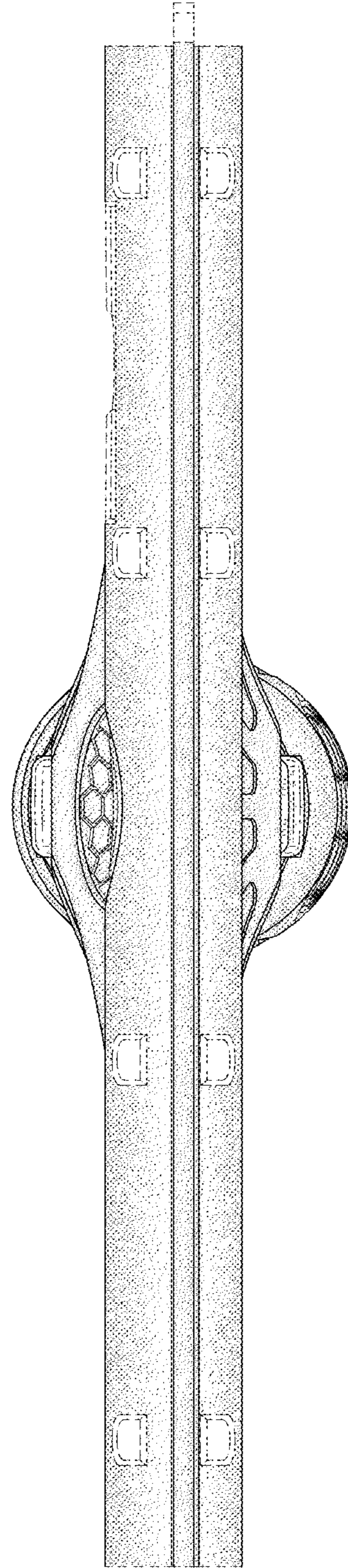


FIG. 7