



US00D779142S

(12) **United States Design Patent** (10) **Patent No.:** **US D779,142 S**
Baldwin (45) **Date of Patent:** **** Feb. 14, 2017**

(54) **CLEANING CLOTH**
(71) Applicant: **3M INNOVATIVE PROPERTIES COMPANY**, St. Paul, MN (US)
(72) Inventor: **Mark W. Baldwin**, Woodbury, MN (US)
(73) Assignee: **3M INNOVATIVE PROPERTIES COMPANY**, St. Paul, MN (US)
(**) Term: **15 Years**
(21) Appl. No.: **29/537,626**
(22) Filed: **Aug. 27, 2015**
(51) **LOC (10) Cl.** **04-01**
(52) **U.S. Cl.**
USPC **D32/40**
(58) **Field of Classification Search**
USPC D32/40-43; D5/99; D17/20
CPC A47L 13/12; A47L 13/16; A47L 13/20;
A47L 13/24; A47L 13/144; A47L 13/146
See application file for complete search history.

(56) **References Cited**
U.S. PATENT DOCUMENTS
981,192 A * 1/1911 Hollingshead A47L 13/18
15/210.1
2,242,641 A * 5/1941 Berger A41B 13/06
2/111
2,778,044 A * 1/1957 Mikulski A47L 13/17
15/118
3,477,065 A * 11/1969 Hoover A41B 13/06
2/69.5
D262,432 S * 12/1981 Lambert D32/40
D339,889 S * 9/1993 Kessler D32/40
D470,704 S * 2/2003 Varon D6/608
D506,345 S * 6/2005 Bailey D6/608
D510,195 S * 10/2005 Adams D6/608

D549,911 S * 8/2007 Vinson D32/40
D553,315 S * 10/2007 Lynde D32/40
7,302,728 B2 * 12/2007 Kunz A63B 47/04
15/104.93
D573,075 S * 7/2008 Eskandry D12/203
D575,016 S * 8/2008 Shaw D32/40
(Continued)

FOREIGN PATENT DOCUMENTS

GB 1007307 * 3/1983
GB 2057360 * 10/1996

OTHER PUBLICATIONS

Shop Waxman 2-Pack 4-1/2-in x 6-in Brown Square Felt Pad at Lowes.com, review date Sep. 9, 2013, <http://www.lowes.com/pd/Waxman-2-Pack-4-1-2-in-x-6-in-Brown-Square-Felt-Pad/3034727>, [site visited Jul. 18, 2016 10:11:50 PM].*
(Continued)

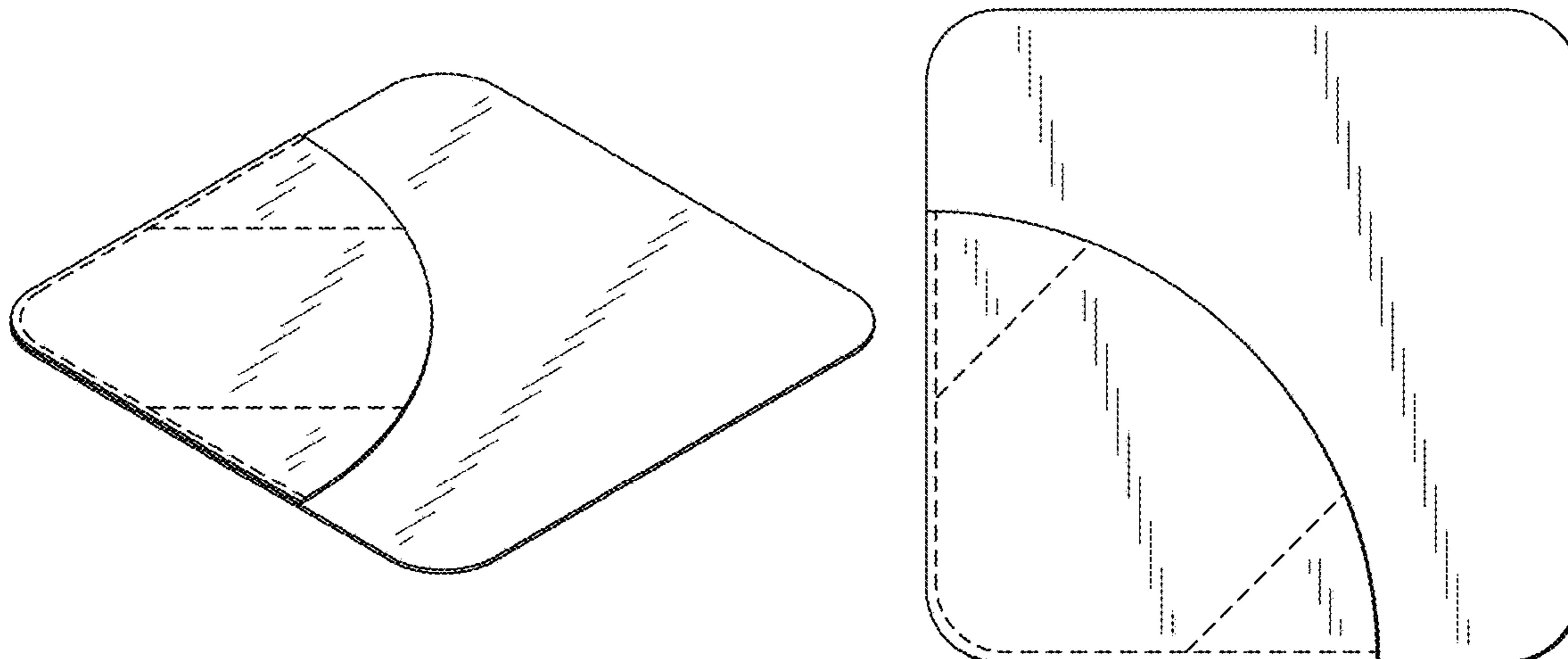
Primary Examiner — John Windmuller
Assistant Examiner — John R Yeh
(74) *Attorney, Agent, or Firm* — Irina Hass

(57) **CLAIM**
The ornamental design for a cleaning cloth, as shown and described.

DESCRIPTION

FIG. 1 is a perspective view showing the new design for a cleaning cloth;
FIG. 2 is a front view thereof;
FIG. 3 is a rear view thereof;
FIG. 4 is a top view thereof;
FIG. 5 is a bottom view thereof;
FIG. 6 is a left side view thereof; and,
FIG. 7 is a right side view thereof.
The broken lines in the figures represent features of the cleaning cloth that form no part of the claimed design.

1 Claim, 3 Drawing Sheets



(56)

References Cited

U.S. PATENT DOCUMENTS

D580,161 S *	11/2008	Jones	D3/226
D581,116 S *	11/2008	Blom	D32/40
D621,113 S *	8/2010	Blom	D5/47
D632,855 S *	2/2011	Quinlan	D32/40
D657,513 S *	4/2012	Wildeman	D32/40
D677,962 S *	3/2013	Phillips	D6/595
D685,551 S *	7/2013	Myers	D32/40
D687,200 S *	7/2013	Bickel	D32/40
D693,971 S *	11/2013	Daugherty	D30/158
D712,106 S *	8/2014	Corso	D32/40
2006/0005335 A1 *	1/2006	Ortega	A47K 10/02 15/118

OTHER PUBLICATIONS

What Are Sterile Pads?, website copyright 2016, <http://www.wisegeek.com/what-are-sterile-pads.htm>, [site visited Jul. 18, 2016 10:04:30 PM].*

* cited by examiner

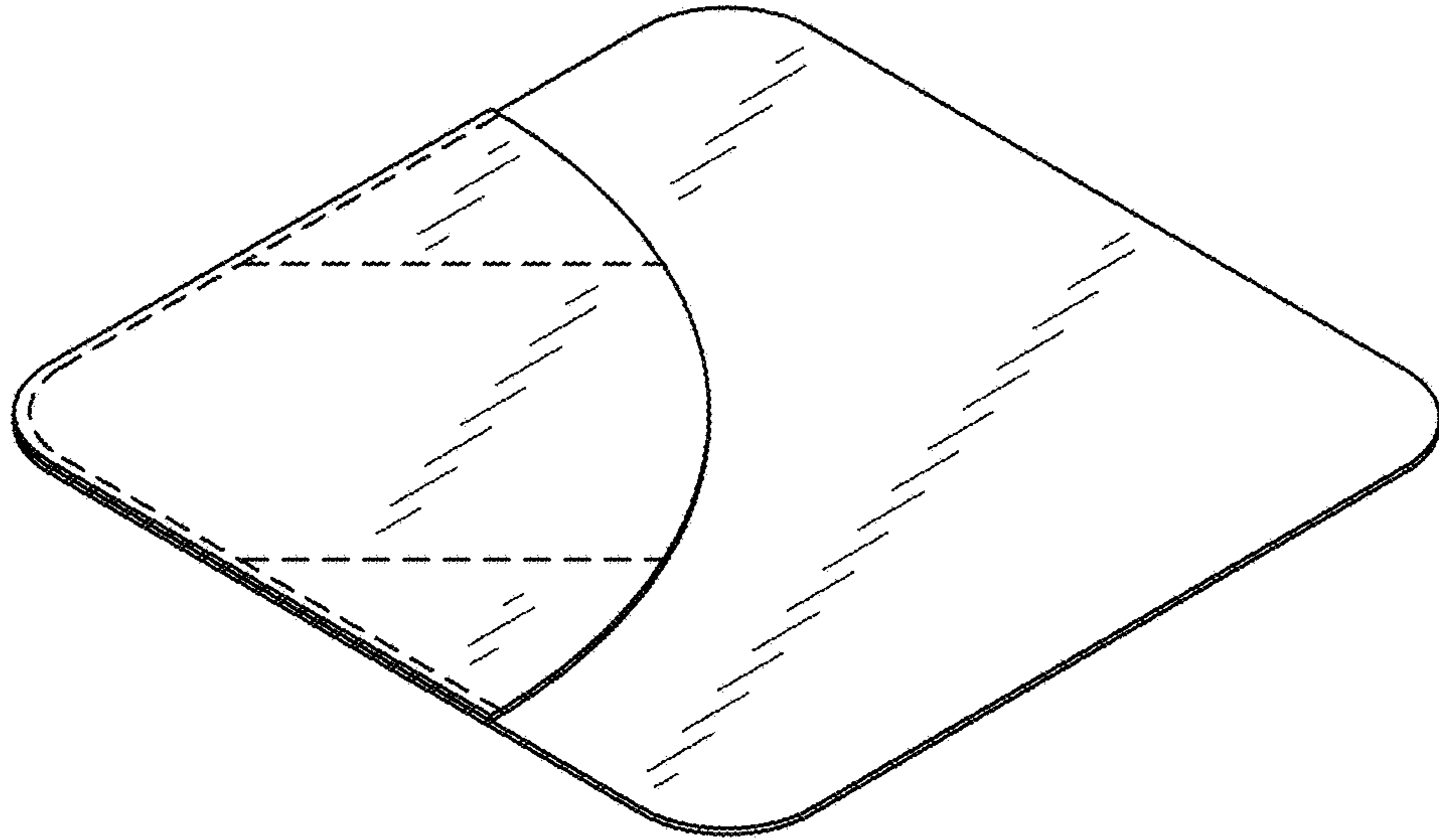


FIG. 1

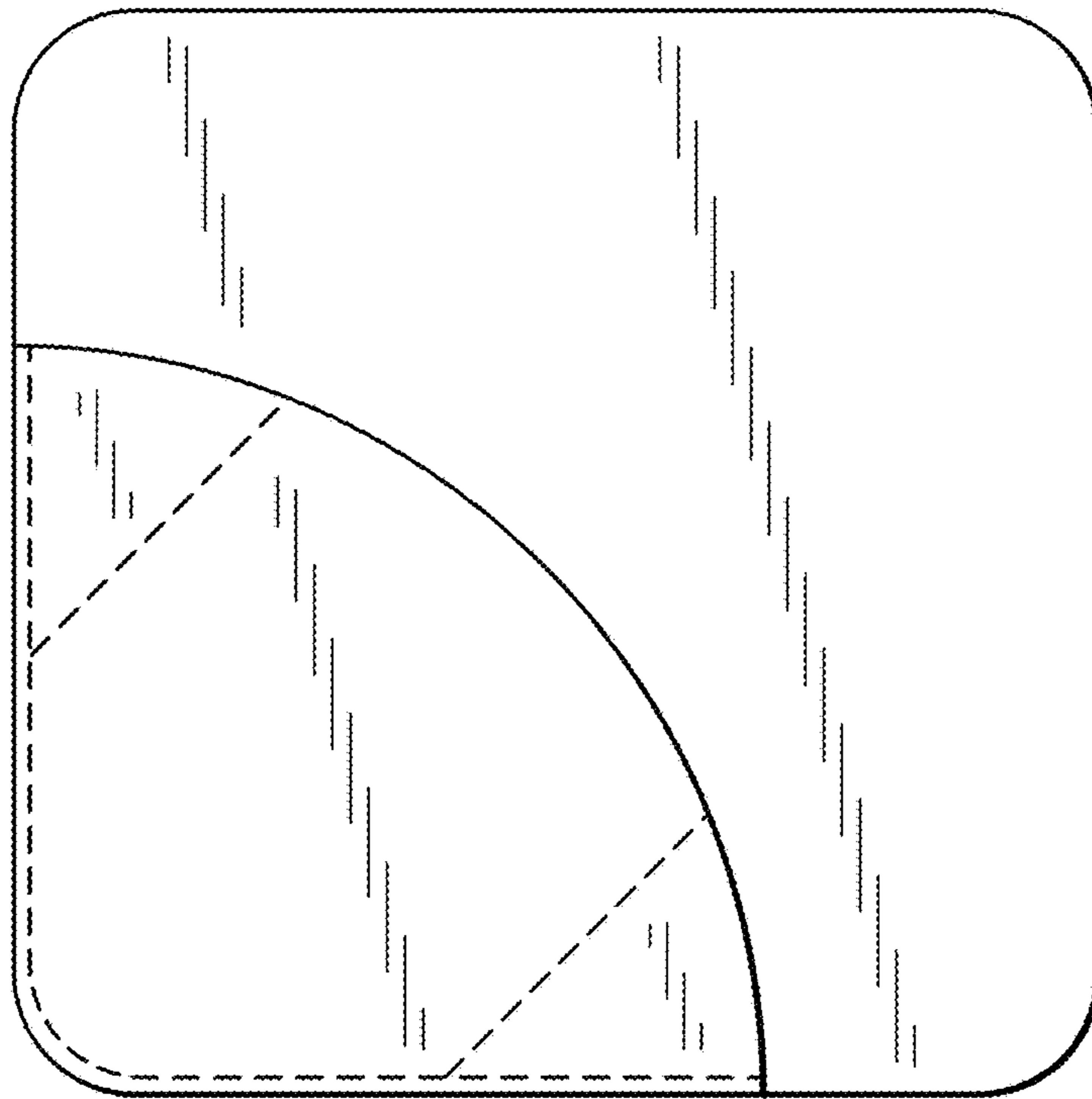


FIG. 2

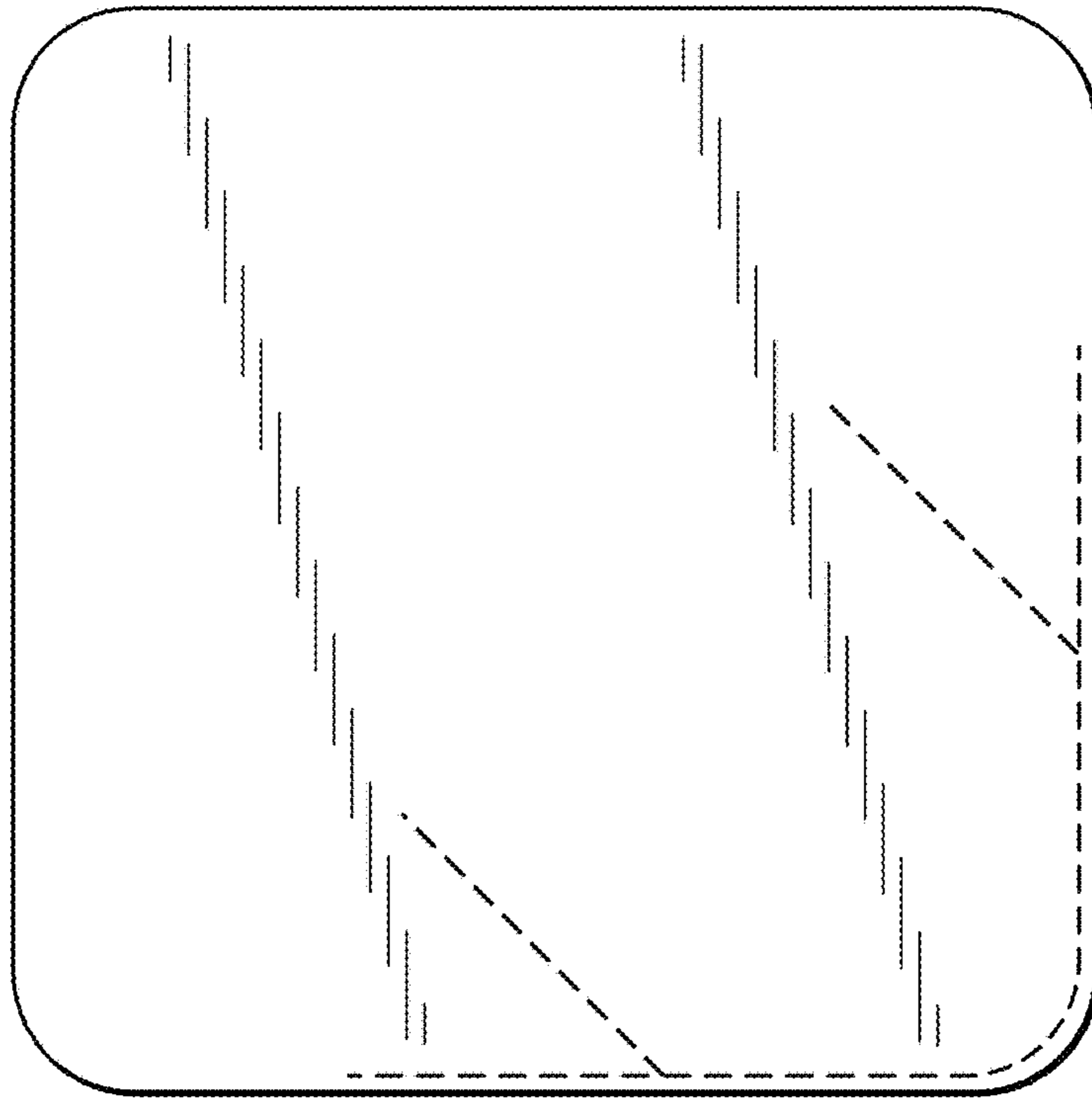


FIG. 3



FIG. 4



FIG. 5



FIG. 6



FIG. 7