



US00D779140S

(12) **United States Design Patent** (10) **Patent No.:** **US D779,140 S**
Lim et al. (45) **Date of Patent:** **** Feb. 14, 2017**

(54) **BRUSH CLEANSING MITT**

FOREIGN PATENT DOCUMENTS

(71) Applicant: **HCT Group Holdings Limited**, Santa Monica, CA (US)

CN 1196212 A 10/1998
CN 201192160 Y 2/2009

(Continued)

(72) Inventors: **Cindy Sean Yuei Lim**, Santa Monica, CA (US); **Michelle Wong**, Alhambra, CA (US); **Nadine Yiang**, Playa Del Rey, CA (US)

OTHER PUBLICATIONS

“Brush Cleaning Glove”, Sigma Spa, retrieved on Oct. 16, 2014 at <<http://www.sigmabeauty.com/Sigma_Spa_Brush_Cleaning_Glove_p/bc001.htm>>, 2 pages.

(Continued)

(73) Assignee: **HCT Group Holdings Limited**, Santa Monica, CA (US)

(**) Term: **14 Years**

Primary Examiner — Susan Bennett Hattan

(21) Appl. No.: **29/507,069**

Assistant Examiner — Rebecca Tsehaye

(22) Filed: **Oct. 23, 2014**

(74) *Attorney, Agent, or Firm* — Seager, Tufte & Wickhem LLP

(51) **LOC (10) Cl.** **08-99**

(52) **U.S. Cl.**
USPC **D32/35**

(57) **CLAIM**

The ornamental design for a brush cleansing mitt, as shown and described.

(58) **Field of Classification Search**
USPC D32/35, 40, 42; D28/63; 15/104.03, 15/104.94, 227; 2/158
CPC A41D 19/00; A41D 19/0058; A47L 17/00; A47L 13/18

DESCRIPTION

See application file for complete search history.

FIG. 1 is a perspective view of a brush cleansing mitt showing the new design;

FIG. 2 is a front elevation view of the brush cleansing mitt of FIG. 1;

FIG. 3 is a back view of the brush cleansing mitt of FIG. 1; FIG. 4 is a right side view of the brush cleansing mitt of FIG. 1, the left side view of the brush cleansing mitt being a mirror image of the right side view;

FIG. 5 is a top view of the brush cleansing mitt of FIG. 1; and,

FIG. 6 is a bottom view of the brush cleansing mitt of FIG. 1.

The broken lines in the drawing depict portions of the brush cleansing mitt that form no part of the claimed design.

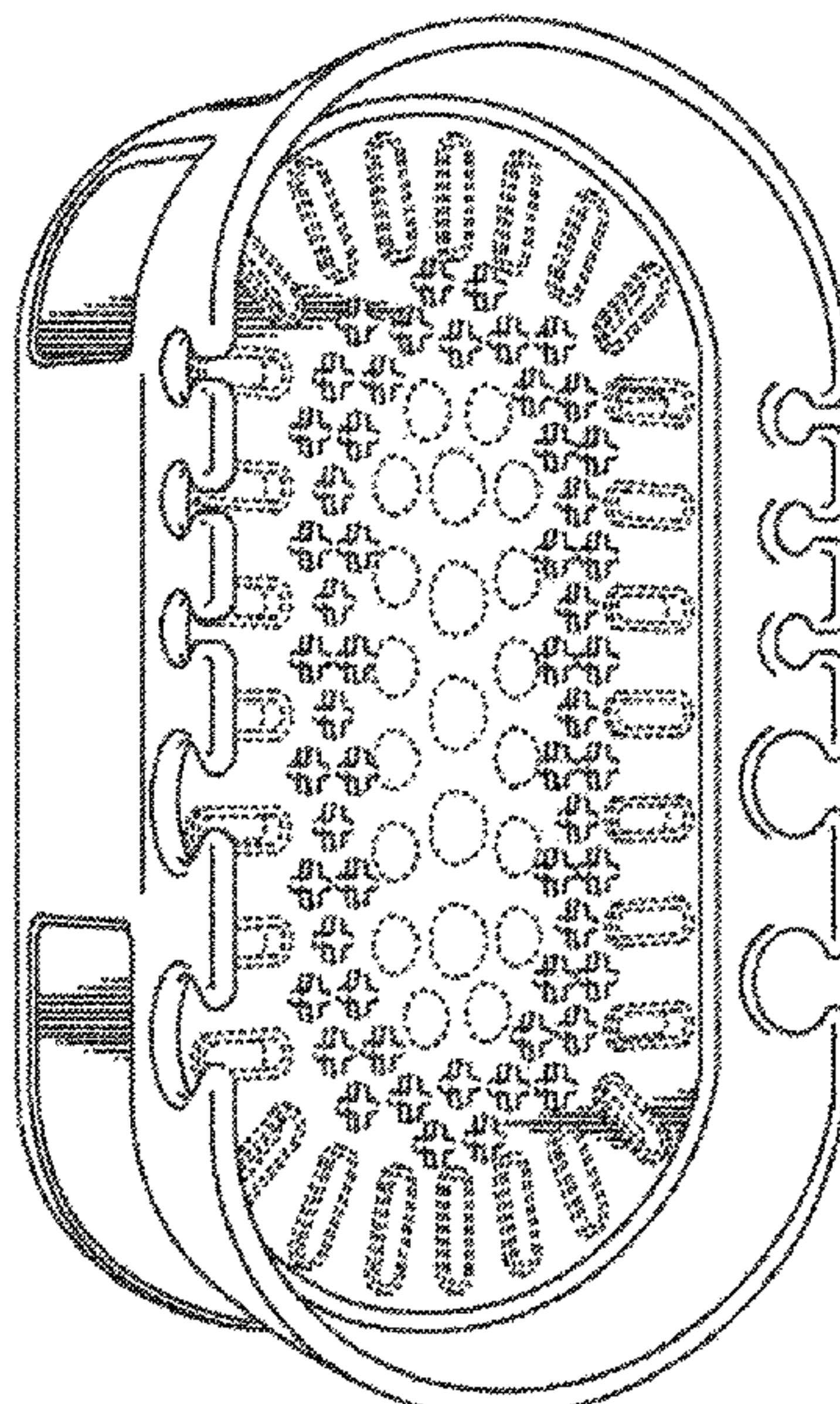
(56) **References Cited**

U.S. PATENT DOCUMENTS

544,452 A	8/1895	Young et al.
D27,690 S	9/1897	Waite
715,881 A	12/1902	Scott
783,937 A	2/1905	Edwards et al.
987,277 A	3/1911	Wright
1,142,698 A	6/1915	Grove et al.
1,185,617 A	6/1916	Blaha et al.
1,190,227 A	7/1916	Fesler
1,242,956 A	10/1917	Lewyt

(Continued)

1 Claim, 3 Drawing Sheets



(56)

References Cited

U.S. PATENT DOCUMENTS

1,261,502 A	4/1918	Farrows	4,203,431 A	5/1980	Abura
1,355,026 A	10/1920	Austin	4,204,294 A	5/1980	Halverson
1,429,823 A	9/1922	Allison	4,213,472 A	7/1980	Gueret et al.
1,457,615 A	6/1923	Bunker	D258,241 S	2/1981	Takada et al.
1,480,814 A	1/1924	Bright et al.	4,248,543 A	2/1981	Carrington et al.
1,486,957 A	3/1924	England	4,267,851 A	5/1981	Plaisted
1,501,835 A	7/1924	Bash	4,292,986 A	10/1981	Ergaver et al.
1,508,306 A	9/1924	Strulson	4,381,159 A	4/1983	Payne
1,510,898 A	10/1924	Nikicser	D269,481 S	6/1983	Souza
1,527,052 A	2/1925	McAndrews	4,396,238 A	8/1983	Torruella et al.
1,563,031 A	11/1925	Jones	4,479,047 A	10/1984	Khaja et al.
1,586,332 A	5/1926	Vinton	4,483,036 A	11/1984	Sayklay
1,651,355 A	12/1927	Alland	4,502,497 A	3/1985	Siahou et al.
1,666,116 A	4/1928	Bunnell	D278,951 S	5/1985	Kalinsky
1,748,491 A	2/1930	May	4,545,393 A	10/1985	Gueret et al.
1,748,895 A	2/1930	Jordan	4,600,328 A	7/1986	Clements
1,831,393 A	11/1931	Pierce, Jr.	4,617,948 A	10/1986	Gueret
1,864,874 A	6/1932	Voight	4,670,930 A *	6/1987	Lu A47L 13/18 15/118
1,889,496 A	11/1932	Priest	4,681,791 A	7/1987	Shibahashi et al.
1,899,242 A	2/1933	McNab	4,727,618 A	3/1988	Mahoney et al.
1,914,240 A	6/1933	Caldwell	4,734,953 A	4/1988	Dodson
1,938,442 A	12/1933	Stuart	D296,005 S	5/1988	Alkire
1,972,532 A	9/1934	McMillan	D297,889 S	10/1988	Ries et al.
2,104,651 A	1/1938	Hoffman, Jr.	4,776,456 A	10/1988	Lewis
2,132,943 A	10/1938	Frazier	4,778,300 A	10/1988	French et al.
2,141,531 A	12/1938	Graham	4,869,612 A	9/1989	Mooney et al.
2,199,154 A	4/1940	Frohnert	4,898,193 A	2/1990	Gueret et al.
2,262,753 A	11/1941	Brennan	4,917,132 A	4/1990	Tuchman
D134,797 S	1/1943	Lubkin	4,929,108 A	5/1990	Gueret
2,442,051 A	5/1948	Luscri	D311,455 S	10/1990	Snipes
2,485,822 A	10/1949	Goldrich	4,959,881 A *	10/1990	Murray A47L 13/18 15/104.94
2,533,838 A	12/1950	Ranft	4,987,911 A	1/1991	Powers
D165,691 S	1/1952	Macomic	5,007,442 A	4/1991	Hirzel et al.
2,584,735 A	2/1952	Pancoast	5,052,839 A	10/1991	Pettengill
2,590,329 A	3/1952	Kromray	5,056,179 A	10/1991	Capponi
2,591,537 A	4/1952	Gordon	D325,264 S	4/1992	Shinohara
2,622,256 A	12/1952	Vojacek	5,107,984 A	4/1992	Welschoff
2,637,060 A	5/1953	Cowan	5,109,877 A	5/1992	Takeda
2,637,868 A	5/1953	Hamilton	D328,366 S	7/1992	Villani
2,642,331 A	6/1953	Sprinkle	5,134,747 A	8/1992	Roesler et al.
2,701,378 A	2/1955	Reinbolt et al.	5,137,038 A	8/1992	Kingsford
2,736,051 A	2/1956	Boodakian	5,153,066 A	10/1992	Tanaka et al.
2,797,886 A	7/1957	Pinckney	5,176,754 A	1/1993	Hirzel
2,874,399 A	2/1959	Solomon	5,211,494 A	5/1993	Baijnath et al.
2,946,072 A	7/1960	Filler et al.	5,220,702 A	6/1993	Howell et al.
2,982,983 A	5/1961	Peterson	D339,235 S	9/1993	Hirzel
2,997,210 A	8/1961	Mackirdy	5,301,695 A	4/1994	Wong
3,007,188 A	11/1961	Dolan	5,316,513 A	5/1994	Nakagawa et al.
3,106,738 A	10/1963	Bohne	5,330,056 A	7/1994	De La Rocha
3,170,265 A	2/1965	Goldfarb	D349,792 S *	8/1994	Mulholland D32/35
3,193,863 A	7/1965	Myers et al.	5,333,343 A	8/1994	Nichols et al.
3,205,523 A	9/1965	Seaver	5,334,421 A	8/1994	McNutt
D205,127 S	6/1966	Dykes	5,339,483 A	8/1994	Byun et al.
3,291,130 A	12/1966	Whitehead	5,348,031 A	9/1994	Cloud
3,309,728 A	3/1967	Seaver	5,388,599 A	2/1995	Yen et al.
3,353,203 A	11/1967	Ginter	5,431,176 A	7/1995	Favre et al.
3,472,242 A	10/1969	Demner	5,447,167 A	9/1995	Fleischaker
3,495,858 A	2/1970	Kindel	5,480,027 A	1/1996	Leonard
3,505,700 A	4/1970	Rodriguez	5,480,038 A	1/1996	Collier
3,531,814 A	10/1970	Safalow	5,482,059 A	1/1996	Miraglia
3,577,582 A	5/1971	Aston	5,484,065 A	1/1996	Davoli
3,592,202 A	7/1971	Jones	5,491,865 A	2/1996	Gueret
3,712,749 A	1/1973	Roberts	5,507,063 A	4/1996	Hirsch
3,867,299 A	2/1975	Rohatgi et al.	5,535,474 A	7/1996	Salazar
3,884,635 A	5/1975	Sloan et al.	5,573,019 A	11/1996	Hempel
3,908,676 A	9/1975	Levine et al.	5,588,447 A	12/1996	Gueret
3,951,157 A	4/1976	Idec	D377,121 S	1/1997	Lee
3,955,670 A	5/1976	Buslik et al.	5,596,785 A	1/1997	Park
4,088,413 A	5/1978	Rossignol de la Ronde et al.	5,603,340 A	2/1997	Gueret
D249,600 S	9/1978	Bowman	5,617,884 A	4/1997	Allison
4,129,918 A	12/1978	Lee et al.	5,620,270 A	4/1997	Gueret
D251,159 S	2/1979	Tolliver	5,628,082 A	5/1997	Moskovich et al.
4,140,222 A	2/1979	Francavilla	5,630,505 A	5/1997	Garcia
4,165,942 A	8/1979	Johansson	D380,615 S	7/1997	Roberts
4,187,607 A	2/1980	Simuro et al.	5,713,471 A	2/1998	Gueret
			5,765,252 A	6/1998	Carr
			5,778,479 A	7/1998	Raia

(56)

References Cited

U.S. PATENT DOCUMENTS

5,799,910	A	9/1998	Dexter et al.	6,601,591	B1	8/2003	Carullo et al.
5,802,658	A	9/1998	Ward	D479,917	S	9/2003	Mink
5,839,626	A	11/1998	Gross et al.	D479,918	S	9/2003	Mink
5,881,742	A	3/1999	Hunsberger	D480,218	S	10/2003	Mink
D408,636	S	4/1999	Gadling	6,669,389	B2	12/2003	Gueret
5,896,614	A	4/1999	Flewitt et al.	D485,442	S	1/2004	Twigg
5,896,866	A	4/1999	Quennessen	6,706,775	B2	3/2004	Hermann et al.
5,941,254	A	8/1999	Heler	6,712,076	B2	3/2004	Alexander et al.
5,957,604	A	9/1999	Anderson	6,761,969	B2	7/2004	Li et al.
5,960,745	A	10/1999	Boyland	6,831,541	B1	12/2004	Seidler
5,960,802	A	10/1999	Sakai	6,832,405	B1	12/2004	Miller
5,970,989	A	10/1999	Litton et al.	6,866,046	B2	3/2005	Gueret
5,974,618	A	11/1999	Dumler et al.	6,880,197	B2	4/2005	Katz et al.
5,976,616	A	11/1999	Celia	6,890,115	B2	5/2005	Le Moing
D418,954	S	* 1/2000	Ferdenzi D28/63	6,895,628	B1	5/2005	Anderson
6,024,101	A	2/2000	Garner et al.	6,898,818	B2	5/2005	Lin
6,026,824	A	2/2000	Gueret	6,942,412	B2	9/2005	Gueret
D421,846	S	3/2000	Choe	6,957,468	B2	10/2005	Driesen et al.
6,039,051	A	3/2000	Dorf	7,004,913	B1	2/2006	Rutenberg et al.
D422,916	S	4/2000	Herrmann	7,007,797	B1	3/2006	Ruccolo
6,070,597	A	6/2000	Motherhead	7,073,902	B2	7/2006	Codos et al.
6,070,749	A	6/2000	Jouliia	7,096,598	B1	8/2006	Myatt
6,074,076	A	6/2000	Parrish	D527,529	S	9/2006	Ajluni et al.
6,119,891	A	9/2000	Favre	D528,305	S	9/2006	Langer
6,138,686	A	10/2000	Yuhara	7,107,645	B2	9/2006	Bressler et al.
6,145,151	A	11/2000	Herron et al.	7,111,354	B2	9/2006	Nennig et al.
6,158,443	A	12/2000	Leman et al.	D529,292	S	10/2006	Langer
6,173,719	B1	1/2001	Petit	7,127,770	B2	10/2006	Clegg et al.
6,180,741	B1	1/2001	Yamaguchi et al.	7,140,061	B2	11/2006	Baker et al.
6,186,324	B1	2/2001	Catterson	7,159,950	B2	1/2007	Young-Chul
6,189,697	B1	2/2001	Davis	7,228,864	B2	6/2007	Tahara
D439,415	S	3/2001	Mink et al.	7,234,474	B2	6/2007	Byun
6,199,694	B1	3/2001	Van Diest et al.	7,246,400	B2	7/2007	Ryan
6,202,242	B1	3/2001	Salmon et al.	7,261,483	B2	8/2007	Gueret
6,202,902	B1	3/2001	Starr	D549,964	S	9/2007	Roth et al.
6,224,287	B1	5/2001	Gieux	D550,562	S	9/2007	Yew
6,234,181	B1	5/2001	Lou	D551,569	S	9/2007	Tanaka
6,241,203	B1	6/2001	Cukrov	7,275,885	B2	10/2007	Byun
6,254,996	B1	7/2001	Fukuda et al.	D558,415	S	* 12/2007	Franco D32/40
6,264,147	B1	7/2001	Mitchell	7,316,045	B2	1/2008	Koke
6,268,040	B1	7/2001	McArthur	D562,005	S	2/2008	King
6,269,515	B1	8/2001	Varma	D562,566	S	2/2008	Mink
D448,178	S	9/2001	Tapley et al.	7,334,685	B2	2/2008	Mathiez
6,283,298	B1	9/2001	Seidler	7,337,787	B2	3/2008	Matsuoka
6,298,863	B1	10/2001	Byun	7,344,327	B2	3/2008	Gueret
6,309,124	B1	10/2001	Gueret	D566,969	S	4/2008	Sherman et al.
D450,189	S	11/2001	Mink et al.	D568,050	S	5/2008	Huang
D450,930	S	11/2001	Mink et al.	D568,740	S	5/2008	Williams
D450,931	S	11/2001	Mink et al.	D571,105	S	6/2008	Godin
6,311,358	B1	11/2001	Soetewey et al.	D572,585	S	7/2008	Perrin et al.
6,312,182	B1	11/2001	Dumler	7,416,358	B2	8/2008	Legendre
D451,681	S	12/2001	Mink et al.	D577,911	S	10/2008	Liebers
6,336,460	B2	1/2002	Yuhara	D578,773	S	10/2008	Sherman et al.
6,342,167	B1	1/2002	Kawano et al.	D580,177	S	11/2008	Louis-Jeune
D454,001	S	3/2002	Mink et al.	7,448,111	B2	11/2008	Bigio
6,354,308	B1	3/2002	Kuk	7,465,113	B2	12/2008	Gueret
6,357,944	B1	3/2002	Reed et al.	D584,513	S	1/2009	Sherman et al.
D456,575	S	* 4/2002	Celia D28/63	D584,897	S	1/2009	Belley
6,371,420	B1	4/2002	Strunk	7,494,030	B2	2/2009	Bennett
D458,134	S	6/2002	Berish et al.	D589,665	S	3/2009	Kwapis
6,401,290	B1	6/2002	Barton et al.	7,530,752	B2	5/2009	Gueret
6,405,402	B1	6/2002	Choi	D598,655	S	8/2009	Thorpe et al.
6,418,939	B1	7/2002	Byun	7,581,544	B2	9/2009	Gueret
6,438,784	B1	8/2002	Yu	D601,803	S	10/2009	Reishus et al.
6,497,236	B1	12/2002	Yates et al.	D601,804	S	10/2009	Hwang
6,505,402	B2	1/2003	Moriwake et al.	7,653,960	B2	2/2010	Lee
6,506,327	B2	1/2003	Weihrauch	D612,615	S	3/2010	Chitayat et al.
D471,018	S	3/2003	Mink	7,716,775	B2	5/2010	DiPietro et al.
6,532,970	B2	3/2003	Phue	D616,743	S	6/2010	Cresswell et al.
D472,462	S	4/2003	Atkin et al.	D616,744	S	6/2010	Cresswell et al.
6,546,937	B2	4/2003	Gueret	7,727,634	B2	6/2010	Yacovone
D474,342	S	5/2003	Silvestri	D619,774	S	* 7/2010	Gionet D28/63
D475,536	S	6/2003	Vaes	D620,798	S	8/2010	Cresswell et al.
6,588,958	B1	7/2003	Seidler	D621,258	S	8/2010	Gullickson et al.
6,596,203	B1	7/2003	Au et al.	7,766,440	B2	8/2010	Kusunoki
				D623,371	S	9/2010	Li
				D626,338	S	11/2010	Ajootian
				7,823,244	B2	* 11/2010	Knopow A47L 13/18

(56)

References Cited

U.S. PATENT DOCUMENTS

7,824,124 B2	11/2010	Francavilla et al.	2005/0198759 A1	9/2005	Segrea
7,832,564 B2	11/2010	Kim	2005/0249539 A1	11/2005	Habatjou
7,854,562 B2	12/2010	Peterson et al.	2005/0273962 A1	12/2005	Dillon
7,866,758 B2	1/2011	Jang	2006/0000729 A1	1/2006	Ceballos
D632,488 S	2/2011	Twigg	2006/0075570 A1	4/2006	Gelfand
7,882,949 B1	2/2011	Singh	2006/0150355 A1	7/2006	Mason et al.
7,895,696 B2	3/2011	Belmonte	2006/0162736 A1	7/2006	Gray
7,895,698 B2	3/2011	Mink	2006/0223024 A1	10/2006	Hochman
7,918,620 B2	4/2011	Del Ponte	2006/0260078 A1	11/2006	Ranks
D637,404 S	5/2011	Wang	2007/0080094 A1	4/2007	Moon
7,950,402 B1	5/2011	Cole	2007/0113364 A1	5/2007	Zen
7,955,014 B2	6/2011	Thorpe et al.	2007/0124882 A1	6/2007	Lee
7,996,947 B2	8/2011	Gueret	2007/0151061 A1	7/2007	Mink et al.
D646,487 S	10/2011	Leppla et al.	2007/0151571 A1	7/2007	Byun
8,032,972 B2	10/2011	Cherry	2007/0206986 A1	9/2007	Gueret
8,061,518 B2	11/2011	Shaughness	2007/0261710 A1	11/2007	Son et al.
8,074,666 B2	12/2011	Piao	2007/0295351 A1	12/2007	Germer
8,074,796 B1	12/2011	Andrews	2008/0060665 A1	3/2008	Umeno et al.
D651,409 S	1/2012	Papenfu	2008/0078419 A1	4/2008	Hirst
8,104,132 B2	1/2012	Mink	2008/0213719 A1	9/2008	Giniger et al.
D654,375 S	2/2012	Kuboshima	2008/0243179 A1	10/2008	Ziv
8,117,707 B1	2/2012	Ruh, II	2008/0256725 A1	10/2008	Emge
8,132,285 B2	3/2012	Piao	2008/0256733 A1	10/2008	Brown
8,132,541 B1	3/2012	Baer, Jr.	2008/0276396 A1	11/2008	Lucero
8,136,536 B2	3/2012	Bickford	2008/0309017 A1	12/2008	Mattice
8,141,561 B2	3/2012	Thorpe et al.	2009/0003917 A1	1/2009	Duncan
D658,385 S	5/2012	Lim et al.	2009/0039995 A1	2/2009	Kipp et al.
D658,389 S	5/2012	Salgatar	2009/0044357 A1	2/2009	Chan et al.
8,184,998 B2	5/2012	Morikuni	2009/0054925 A1	2/2009	Cho
8,185,993 B2	5/2012	Fischer et al.	2009/0071499 A1	3/2009	Wyatt et al.
8,185,998 B2	5/2012	Xu	2009/0071502 A1	3/2009	Dugeon
8,220,100 B2	7/2012	Diamond	2009/0089949 A1	4/2009	Mink et al.
8,220,469 B1	7/2012	Spagnuolo	2009/0090375 A1	4/2009	Tran
8,226,319 B2	7/2012	Francavilla et al.	2009/0097899 A1	4/2009	Carroll
8,230,543 B2	7/2012	Shrier et al.	2009/0119863 A1	5/2009	Gallegos
8,256,058 B2	9/2012	Telwar	2009/0131977 A1	5/2009	Ross
D669,213 S	10/2012	Celia	2009/0183328 A1	7/2009	King
8,286,790 B1	10/2012	McBryar	2009/0194127 A1	8/2009	Pires et al.
8,292,529 B2	10/2012	Francavilla	2009/0194129 A1	8/2009	Junemann
8,321,987 B2	12/2012	Bagley	2009/0200184 A1	8/2009	Cullen
8,360,078 B2	1/2013	Lim et al.	2009/0211939 A1	8/2009	Cho
D675,829 S	2/2013	Jakubow	2009/0260172 A1	10/2009	Weiss
8,371,549 B1	2/2013	Paquette	2009/0272399 A1	11/2009	Kim
8,393,037 B2	3/2013	Iwahori et al.	2010/0001541 A1	1/2010	Sugiyama
8,402,592 B2	3/2013	Byrne et al.	2010/0017990 A1	1/2010	Piao
D681,342 S	5/2013	Brower	2010/0037407 A1	2/2010	Telwar
D688,432 S *	8/2013	Clark D32/40	2010/0043815 A1	2/2010	Levy et al.
8,522,973 B2	9/2013	Joseph	2010/0059080 A1	3/2010	Gueret
8,595,886 B2	12/2013	Edelstein et al.	2010/0095973 A1	4/2010	Shrier et al.
8,657,107 B2	2/2014	Gabbard	2010/0163071 A1	7/2010	Everett, Jr. et al.
8,678,693 B2	3/2014	Sturgis et al.	2010/0324594 A1	12/2010	Mercanti
D707,390 S	6/2014	Bunkley	2011/0056505 A1	3/2011	Parkinson et al.
8,752,559 B1	6/2014	Tsai	2011/0083690 A1	4/2011	Cardenas et al.
D717,548 S	11/2014	Lim	2011/0116857 A1	5/2011	Carroll et al.
D727,034 S	4/2015	Lewis	2011/0174823 A1	7/2011	Silva
D727,567 S	4/2015	Bunkley	2011/0198453 A1	8/2011	Volk
2001/0003600 A1	6/2001	Guay	2011/0198454 A1	8/2011	Volk
2002/0040720 A1	4/2002	Byun	2011/0266297 A1	11/2011	Thorpe et al.
2002/0078902 A1	6/2002	Ehrmann	2011/0315161 A1	12/2011	Lim et al.
2002/0148058 A1	10/2002	Greenwood et al.	2012/0017930 A1	1/2012	Nance
2002/0162565 A1	11/2002	Sebban	2012/0054971 A1	3/2012	Dugan
2002/0164192 A1	11/2002	Gueret	2012/0159731 A1	6/2012	Liu et al.
2003/0005533 A1	1/2003	Woodnorth et al.	2012/0204899 A1	8/2012	Uehara et al.
2003/0035953 A1	2/2003	Weihrauch	2012/0260931 A1	10/2012	Martin et al.
2003/0066151 A1	4/2003	Chang	2012/0272982 A1	11/2012	Telwar et al.
2003/0089673 A1	5/2003	Herren	2012/0294666 A1	11/2012	Jang
2003/0110585 A1	6/2003	Rechelbacher	2012/0295216 A1	11/2012	Dykes et al.
2003/0135945 A1	7/2003	Nordstrom	2012/0312315 A1	12/2012	Gueret
2004/0050732 A1	3/2004	Baker	2013/0017010 A1	1/2013	Liu
2004/0129580 A1	7/2004	Cochran	2013/0111683 A1	5/2013	Lim et al.
2004/0134009 A1	7/2004	Sander et al.	2013/0199556 A1	8/2013	Lim
2004/0163193 A1	8/2004	Stafford	2014/0014659 A1	1/2014	Thorpe et al.
2004/0237996 A1	12/2004	Fischer	2014/0023689 A1	1/2014	Kim et al.
2005/0011030 A1	1/2005	Gonzalez	2014/0154295 A1	6/2014	Sim et al.
2005/0138747 A1	6/2005	Su et al.	2014/0219701 A1	8/2014	Eberlein
			2014/0259489 A1	9/2014	Dale
			2014/0325775 A1	11/2014	Nakamura et al.

(56)

References Cited

U.S. PATENT DOCUMENTS

2014/0331422 A1 11/2014 Lim
2014/0332027 A1 11/2014 Lim

FOREIGN PATENT DOCUMENTS

CN	201308219	Y	9/2009
CN	201399985	Y	2/2010
CN	301313366	S	8/2010
CN	201610006	U	10/2010
CN	101884463	A	11/2010
CN	301542018	S	5/2011
CN	202588745	U	12/2012
CN	302457092	S	6/2013
DE	2111893	A1	9/1972
DE	3232227	A1	3/1984
DE	4215896	C1	11/1993
DE	29713124	U1	9/1997
DE	29807245	U1	6/1998
DE	10038850	A1	2/2002
EP	2084986	A2	8/2009
EP	2301379	A1	3/2011
FR	2464674	A	3/1981
FR	2642283	A1	8/1990
FR	2976463	A	12/2012
JP	2003033228	A	2/2003
JP	2003135140	A	5/2003
JP	2004041260	A	2/2004
JP	1218834	S	10/2004
JP	2007068945	A	3/2007
JP	1343552	S	11/2008
JP	2009172300	A	8/2009
KR	200262437	A	3/2002
KR	300365471	S	10/2004
KR	300404554	S	1/2006
KR	200432010	Y1	11/2006
KR	300525977	S	9/2008
KR	30-0607863	S	8/2011
KR	30-0672266	S	3/2012
KR	30-0681633	S	11/2012
WO	9211785	A1	7/1992
WO	2007117091	A1	10/2007
WO	2009031851	A2	3/2009
WO	2010098997	A1	9/2010

OTHER PUBLICATIONS

“Brushegg”, retrieved on Oct. 23, 2014 at <<<http://brushegg.bigcartel.com/product/brushegg>>>, 2 pages.

“Furbuster 3 in 1 Dog Grooming Glove”, Petmate 89801, retrieved on Oct. 16, 2014 at <<[Furbuster 3 in 1 Dog Grooming](http://www.petmate.com/furbuster-3-in-1-dog-grooming-glove)>>, 6 pages.

“All for One, Full Magnetic Travel Brush Set”, Sephora, retrieved on Feb. 26, 2015 at <<<http://www.sephora.com/aa-for-one-full-magnetic-travel-brush-set-P387815>>>, 3 pages.

Amazon: L’Oreal Brow Stylist Professional 3-in-1 brow tool; retrieved on Jun. 27, 2013 at: <http://www.amazon.com/Loreal-Brow-Stylist-Professional-Blonde/dp/B001KY07AY>, 5 pages.

Benjabelle, “Mini Brush Tree” retrieved on Sep. 1, 2014 at <<http://www.benjabelle.com/collections/brush-trees/product/mini-brush-tree>>>, 3 pages.

“Car Wash Brushes,” Martin Cox Chamois Ltd, retrieved on Oct. 16, 2014 at <<http://www.martincoxchamois.com/flow_through_car_wash_brushes.html>>, 8 pages.

“Clarisonic” retrieved on Dec. 19, 2013 at <<<http://www.clarisonic.com/>>>5 pages.

CN 3412782 Registered Design, (Tianjin Samsung Brushes Ltd.) Dec. 22, 2004 [online], [retrieved on Oct. 3, 2014] Retrieved from the Questel Intellectual Property Portal Design Database Using the Internet: <URL; <http://www.orbit.com>>.

CN 3412783 Registered Design, (Tianjin Samsung Brushes Ltd.) Dec. 22, 2004 [online], [retrieved on Oct. 3, 2014] Retrieved from

the Questel Intellectual Property Portal Design Database Using the Internet: <URL; <http://www.orbit.com>>.

CN 3412785 Registered Design, (Tianjin Samsun Brushes Ltd.) Dec. 22, 2004, [online], [retrieved on Oct. 3, 2014] Retrieved from the Questel Intellectual Property Portal Design Database using the Internet: <URL: <http://www.orbit.com>>.

CN 3417893 Registered Design, (Tianjin Samsun Brushes Ltd.) Jan. 12, 2005, [online], [retrieved on Oct. 3, 2014] Retrieved from the Questel Intellectual Property Portal Design Database using the Internet: <URL: <http://www.orbit.com>>.

CN 3466155 Registered Design, (Tianjin Samsung Brushes Ltd.) Aug. 10, 2005 [online], [retrieved on Aug. 26, 2014] Retrieved from the Questel Intellectual Property Portal Design Database Using the Internet: <URL; <http://www.orbit.com>>.

Da Vinci Catalog, Novelties 2005-2008, © Jan. 2008 [online], Top-point Mix B series 5535 Brushes, [retrieved on Mar. 13, 2015]. Retrieved from the internet: <URL: <http://www.davinci-defect.com>>.

“Dual Interchangeable Brush Set”, Global Market, retrieved on Mar. 18, 2015 at <<<http://www.globalmarket.com/product-info/dual-interchangeable-brush-set-468011.html>>>, 2 pages.

Ebay: L’Oreal Brow Stylist Professional 3-in-1 brow tool; retrieved on Jun. 27, 2013 at: <http://www.ebay.com/itm/Loreal-Brow-Stylist-3-in-1-Tool-Tweezer-Pencil-Brush-/360388299897>; 3 pages.

Everbluec Singapore Beauty Makeup and Skincare Blog, May 14, 2011 [online], Elizabeth Arden makeup blender, [retrieved on Mar. 14, 2015] Retrieved from the Internet: <http://everbluec.com/2011/05/ceramide-colors-exclusive-launch-at.html>.

“Fingermax Creative Finger Painting Paint Brush”, retrieved on Oct. 9, 2014 at <<<http://thesotre.com/fingermax-creative-finger-painting-paint-brush/TSHVY6X6YF>>>, 5 Pages.

Foam Finger Wax Applicator, retrieved on Nov. 6, 2014 at <<http://www.cleanyourcar.co.uk/accessories/foam-finger-waxapplicators-pkg/2/prod_633.html>>, 2 pages.

“Givenchy Demesure Audacious Lashes Mascara,” May 17, 2011, retrieved from the internet at <<<http://www.fashionizers.com/perfumes-makeup/givenchu-demesure-audacious-lashes-mascara/>>>, 9 pages.

Givenchy Parfums Maquillage, Soins, Parfums, retrieved on May 14, 2010 at <<http://www.parfumsivenchy.com/make_up/collections/2010_summer_collection/products_in_this_collection/le-prisme_yeux_island_camaieu_limited_edition/product_5_183_1128_214.html>> 1 page.

Givenchy Summer Makeup Collection 2010 Review and Swatches, retrieved on May 14, 2010 at <<<http://www.musingsofamuse.com/2010/04/givenchy-summer-makeup-collection-2010-review-and-swatches.html>>> 20 pages.

Indeutsch May 2003 [online], Hobby & Craft Brushes, Series HCS: Squirrel Mop, p. 2, [retrieved on Jun. 30, 2014] Retrieved from the internet using Web Archive: URL:<http://web.archive.org/web/*/http://www.indeutsch.com>.

“iTech Magnetic & Tourmaline Boar and Nylon Bristle Brush 3 ¼ Inch”, Beauty Encounter Inc.[retrieved on Sep. 9, 2010] <<http://www.beautyencounter.com/727428765006.html>>.

Lady Zona, “Choosing the Right Make Up Brush”, Retrieved on Feb. 24, 2015 at <<<http://www.ladyzona.com/choosing-the-right-make-up-brush/>>>, 3 pages.

“Latest design double end kabuki blush brush”, Alibaba.com, retrieved on Mar. 18, 2015 at <<http://www.alibaba.com/product-detail/Latest-design-double-end-kabuki-blush_668701458.html>>, 3 pages.

“Launch Pad Mojo Magpro Professional Magnetic Brush Set”, Beauty and the Blog, retrieved on Feb. 26, 2015 at <<<http://www.beautyandblog.com/2012/01/launch-pad-mojo-magpro-professional.html>>>, 4 pages.

LeKeux, “My Cosmetic Range”LeKeux HQ, retrieved on Feb. 24, 2015 at <<<http://lekeuxhq.blogspot.com/2014/11/my-cosmetics-range.html>>>, 6 Pages.

Little Blue Chairs, “My first Giveaway at Little Blue Chairs!” Retrieved on Apr. 10, 2013 at <<<http://www.littlebluechairs.com/2011/02/my-first-giveaway-at-little-blue-chairs.html>>>8 pages.

(56)

References Cited

OTHER PUBLICATIONS

“Makeup Brushes Buying Guide”, Ebay, Jun. 9, 2014, retrieved on Mar. 18, 2015 at <<<http://www.ebay.com/gds/Makeup-Brushes-Buying-Guide-/100000000177404992/g.html>>>, 6 pages.

“MelodySusie”, retrieved on Oct. 9, 2014 at <<http://amazon.com/MelodySusie-Appliator-Multi-Functional-Vibration-Foundation/dp/B00B4QGM1A/ref=aag_m_pw_dpie=UTF8&m=A24IL96TV4XLBY>>, 4 pages.

Moddea, retrieved on Oct. 16, 2014 at <<<http://moddea.com/2012/10/>>>, 15 pages.

Nixon, “Optometric Office”, retrieved on Oct. 9, 2014 at <<<http://www.optometricoffice.com?OO/OO-Archive/BIGGER-IS-BETTER-3436.aspx>>>, 2 pages.

“Non Optional UK Beauty and Lifestyle Blog”, posted by Nicola Surrey, retrieved on Jan. 9, 2015 at <<http://non-optional.blogspot.com/2012_08_01_archive.html>>, Aug. 2012 {2012}, Sephora classic Mineral Powder Brush, p. 16, 24 pages.

“Popcorn Yubi-fude Finger Brush”, Japan Trend Shop, retrieved on Oct. 8, 2014 at <<<http://www.japantrendshop.com/popcorn-yubifude-finger-brush-p-939.html>>>, 3 pages.

“Series of innovations for makeup brushes”, Premium Beauty Media, retrieved on Feb. 26, 2015 at <<<http://www.premiumbeautynews.com/en/Series-of-innovations-for-make-up,3232>>>, 2 pages.

“Silicone Blackhead Cleanser Nose Pore Brush Cleaner Remover Finger Tool”, retrieved on Oct. 9, 2014 at <<[Silicone Blackhead cleanser Nose Pore Brush cleaner Remover Finger Tool](http://www.alibaba.com/product-detail/Silicone-Nose_Pore-Clean-Finger-Brush_900763337.html)>>, 2 pages.

“Silicone Nose Pore Clean Finger Brush Blackhead Extractor Remover Facial Scrub Pad Tool”, retrieved on Oct. 9, 2014 at <<http://www.alibaba.com/product-detail/Silicone-Nose_Pore-Clean-Finger-Brush_900763337.html>>.9 pages.

“Teeth Brushing for cats and dogs”, retrieved on Oct. 9, 2014 at <<[Teeth Brushing for cats and dogs](http://www.thebrushguard.com/)>>, 7 pages.

The Brush Guard; <http://www.thebrushguard.com/> retrieved Oct. 25, 2011, 1 page.

“The Makeup Bullet” retrieved on Oct. 9, 2014 at <<<http://themakeupbullet.com/>>>, 1 pages.

Wholesale-mn-2 Pcs Portable Cosmetics Telescopic Lip, retrieved on Oct. 16, 2014 at <<<http://www.dhgate.com/product/wholesale-mn-2-pcs-portable-cosmetics-telescopic/200881505.html#s1-2-1|2462569649>>>, 7 pages.

“Why Didn’t We Think of That: Magnetic Makeup Brush”, Gloss Daily, retrieved on Feb. 26, 2015 at <<<http://www.glossdaily.com/blogs/glossdaily/2012/05/31/magnetic-makeup-brush/>>>, 2 pages.

* cited by examiner

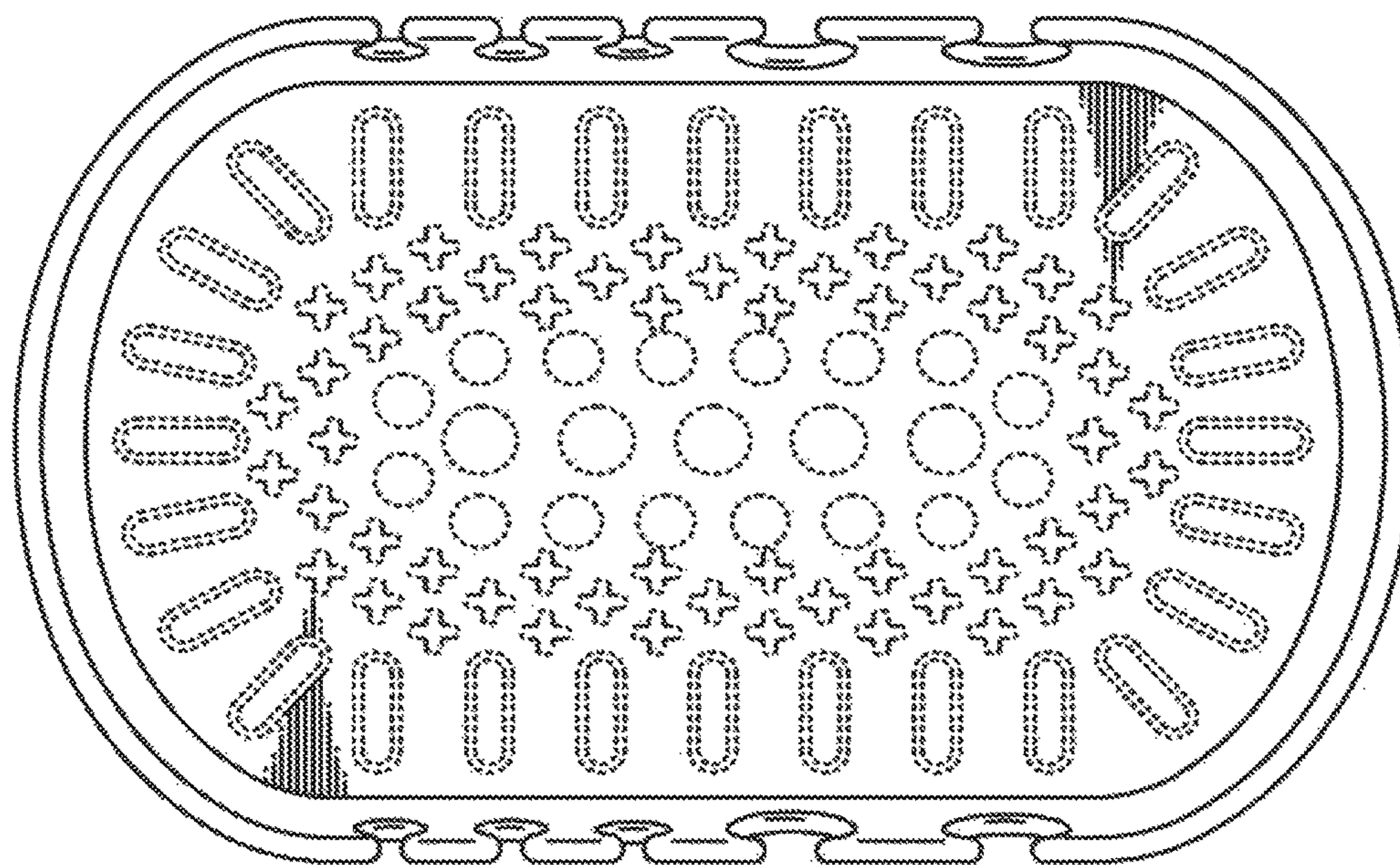


FIG. 2

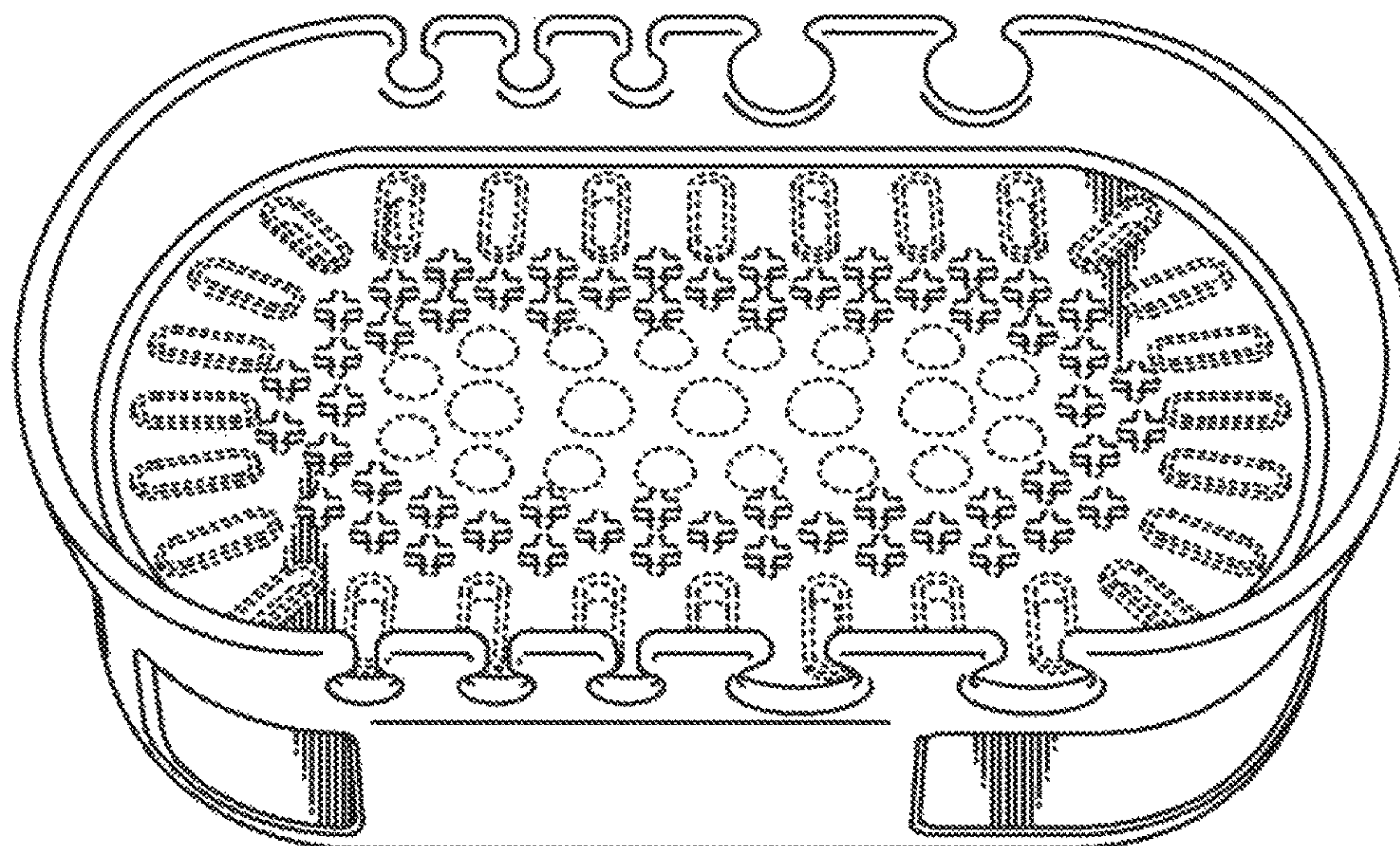


FIG. 1

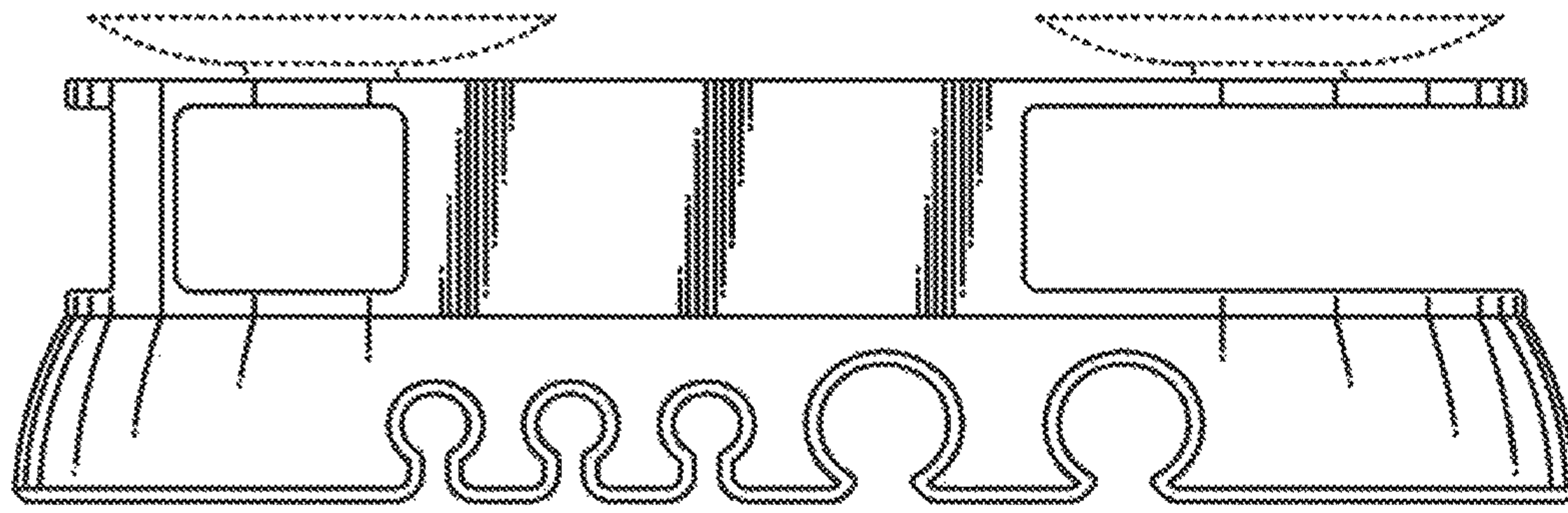


FIG. 4

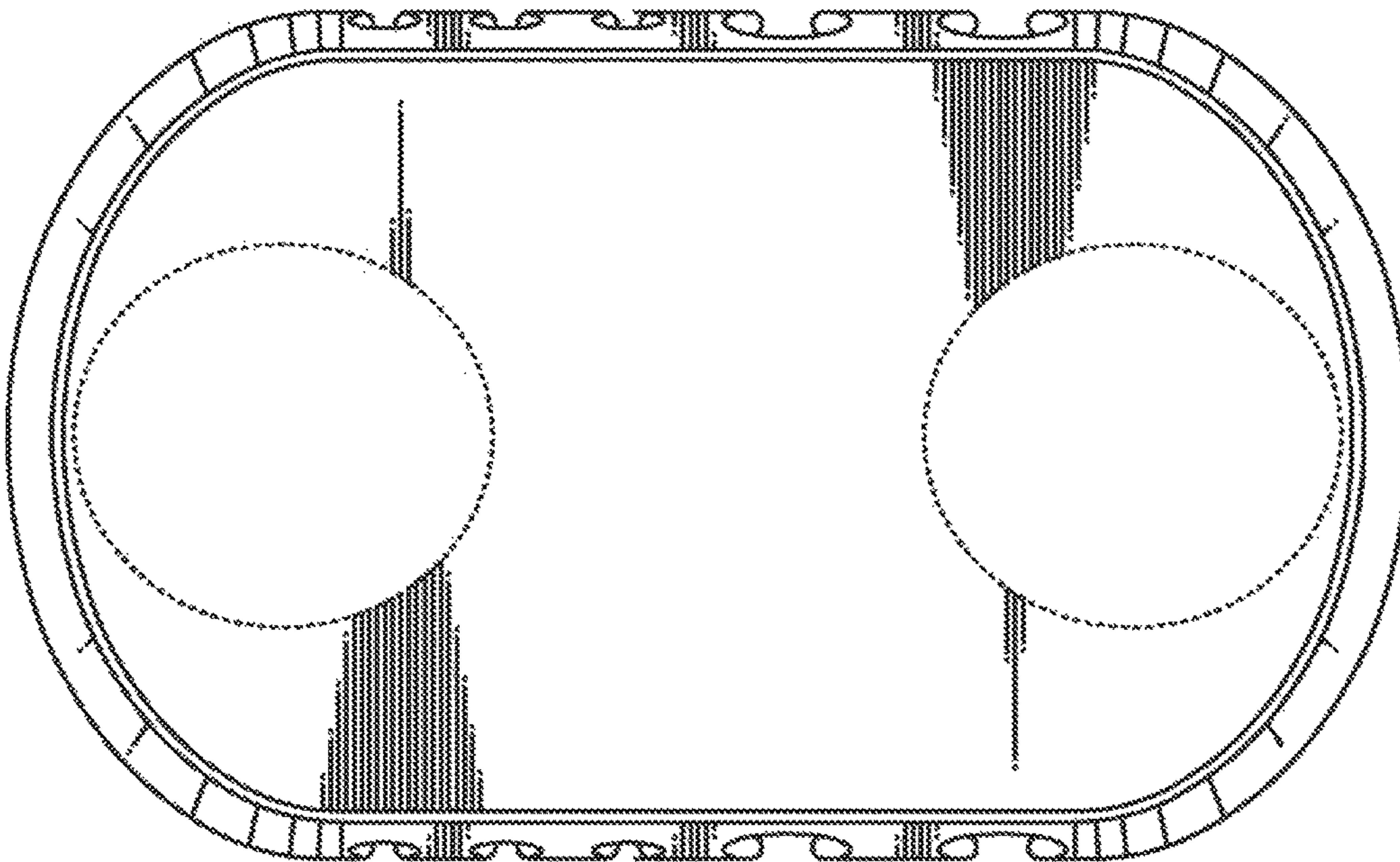


FIG. 3

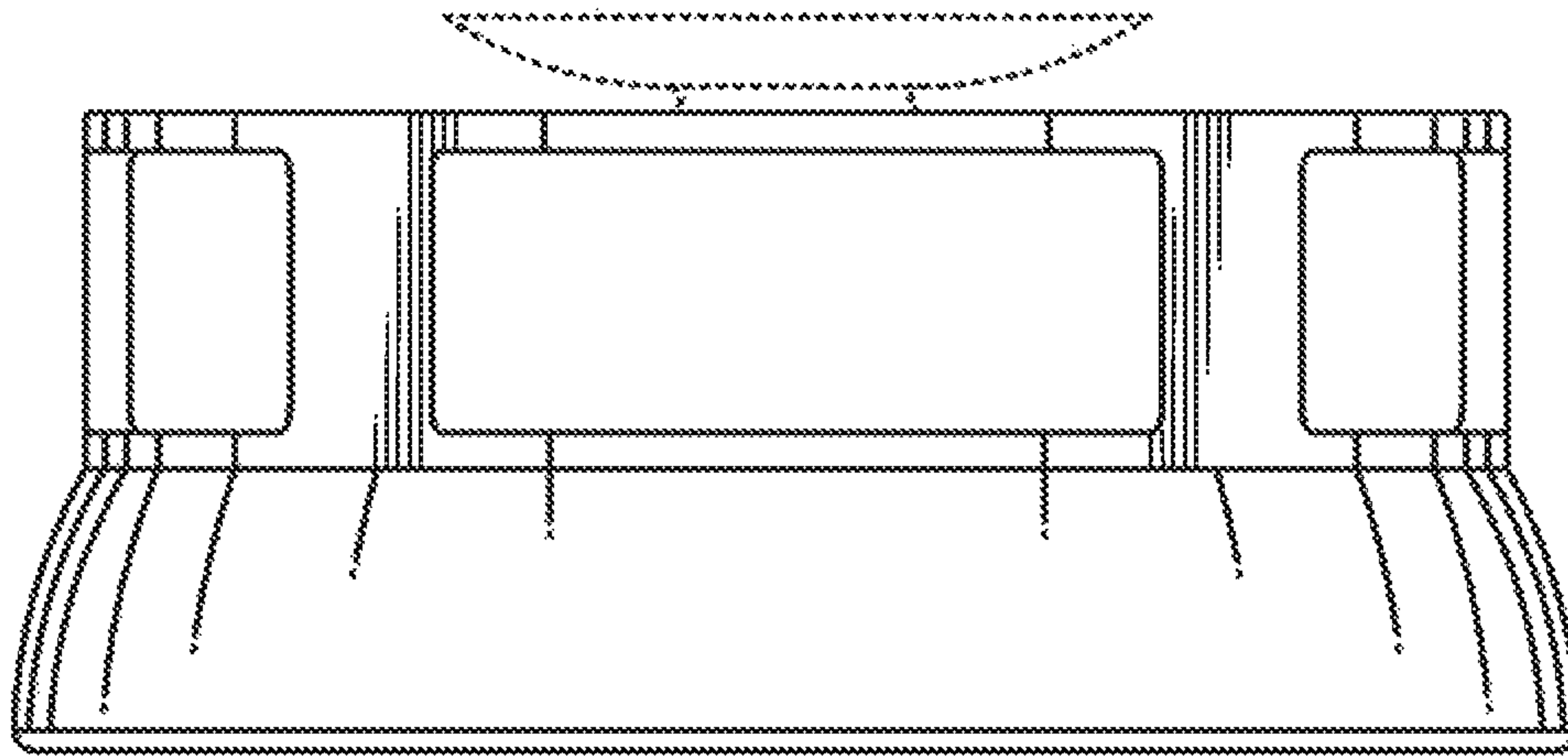


FIG. 5

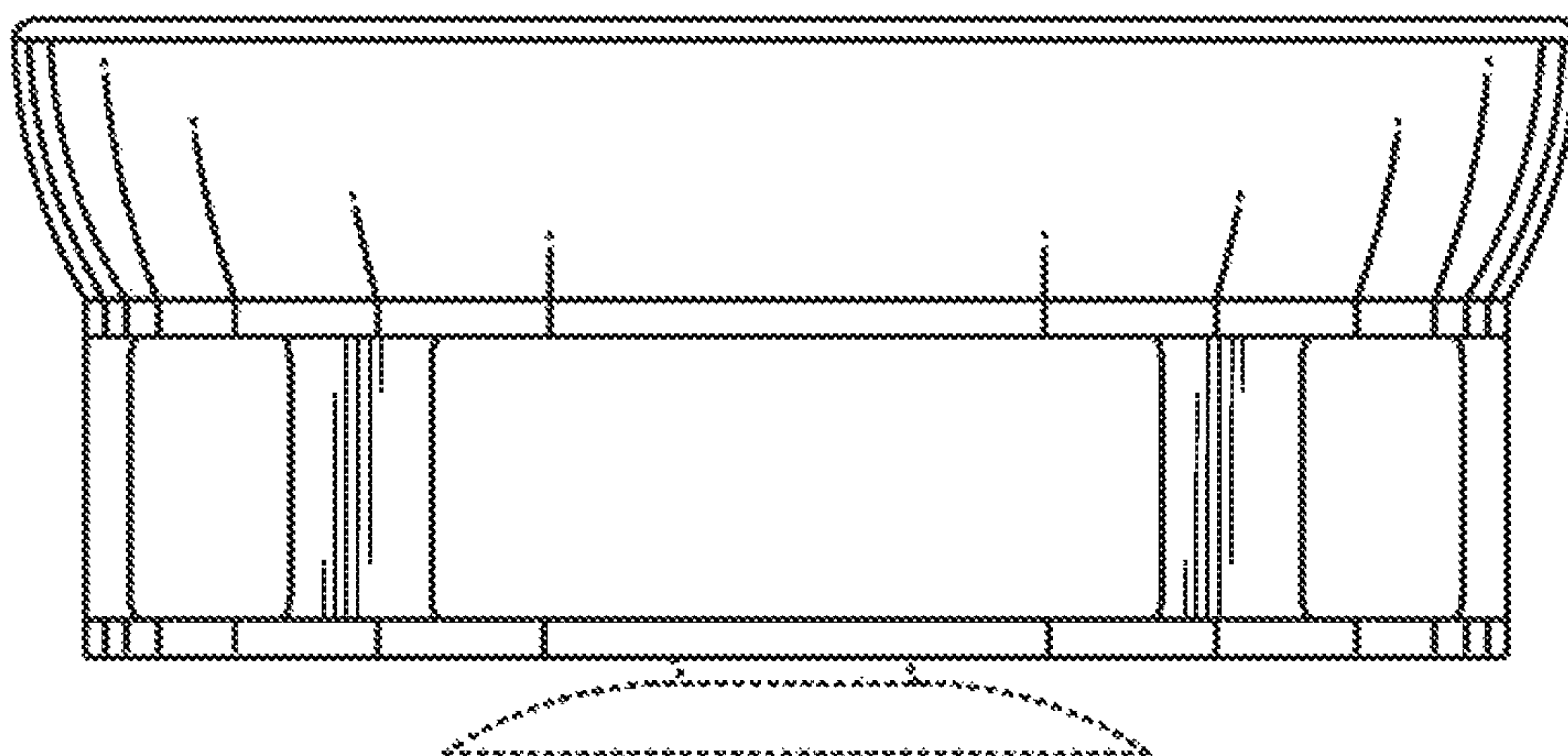


FIG. 6