



US00D779139S

(12) **United States Design Patent**
Yoneda et al.

(10) **Patent No.:** **US D779,139 S**
(45) **Date of Patent:** **** Feb. 14, 2017**

(54) **BRUSH FOR VACUUM CLEANER**

(71) Applicant: **Samsung Electronics Co., Ltd.**,
Suwon-si, Gyeonggi-do (KR)

(72) Inventors: **Atsuhiko Yoneda**, Warabi (JP);
Hirohisa Miyazaki, Tokyo (JP); **Norio Okada**,
Yokohama (JP); **Mitsuhiro Shigeri**,
Yokohama (JP); **Masato Suzuki**,
Saitama (JP)

(73) Assignee: **SAMSUNG ELECTRONICS CO., LTD.**,
Suwon-si, Gyeonggi-Do (KR)

(**) Term: **15 Years**

(21) Appl. No.: **29/528,081**

(22) Filed: **May 26, 2015**

(30) **Foreign Application Priority Data**

Dec. 3, 2014 (KR) 30-2014-0058679

(51) **LOC (10) Cl.** **15-05**

(52) **U.S. Cl.**
USPC **D32/32**

(58) **Field of Classification Search**
USPC D32/25, 31-33
CPC A47L 9/02; A47L 9/06; A47L 5/28;
A47L 5/24; A47L 11/4044; E04H 4/1654;
E04H 4/34
See application file for complete search history.

(56) **References Cited**

U.S. PATENT DOCUMENTS

D507,854 S * 7/2005 Kim D32/32
D518,932 S * 4/2006 Maruyama D32/32

D554,814 S * 11/2007 Grey D32/32
D564,720 S * 3/2008 Dyson D32/32
D580,611 S * 11/2008 Roschi D32/33
D643,168 S * 8/2011 Dyson D32/32
D649,725 S * 11/2011 Fjellman D32/32
D680,699 S * 4/2013 Okabe D32/33
D686,379 S * 7/2013 Kim D32/32
D698,510 S * 1/2014 Chu D32/32
D706,504 S * 6/2014 Park D32/33
D752,303 S * 3/2016 Kerr D32/32

FOREIGN PATENT DOCUMENTS

CN 302190758 S 11/2012
EM 000195656-0005 9/2004
EM 002495978-0004 7/2014

* cited by examiner

Primary Examiner — Ruth McInroy

(74) *Attorney, Agent, or Firm* — Ladas & Parry LLP

(57) **CLAIM**

We claim the ornamental design for the brush for vacuum cleaner, as shown and described.

DESCRIPTION

FIG. 1 is the front perspective view of the brush for vacuum cleaner showing our new design;
FIG. 2 is the front view thereof;
FIG. 3 is the rear view thereof;
FIG. 4 is the left-side view thereof;
FIG. 5 is the right-side view thereof;
FIG. 6 is the top plan view thereof; and,
FIG. 7 is the bottom plan view thereof.
The broken lines in the drawing show unclaimed environment only and form no part of the claimed design.

1 Claim, 7 Drawing Sheets

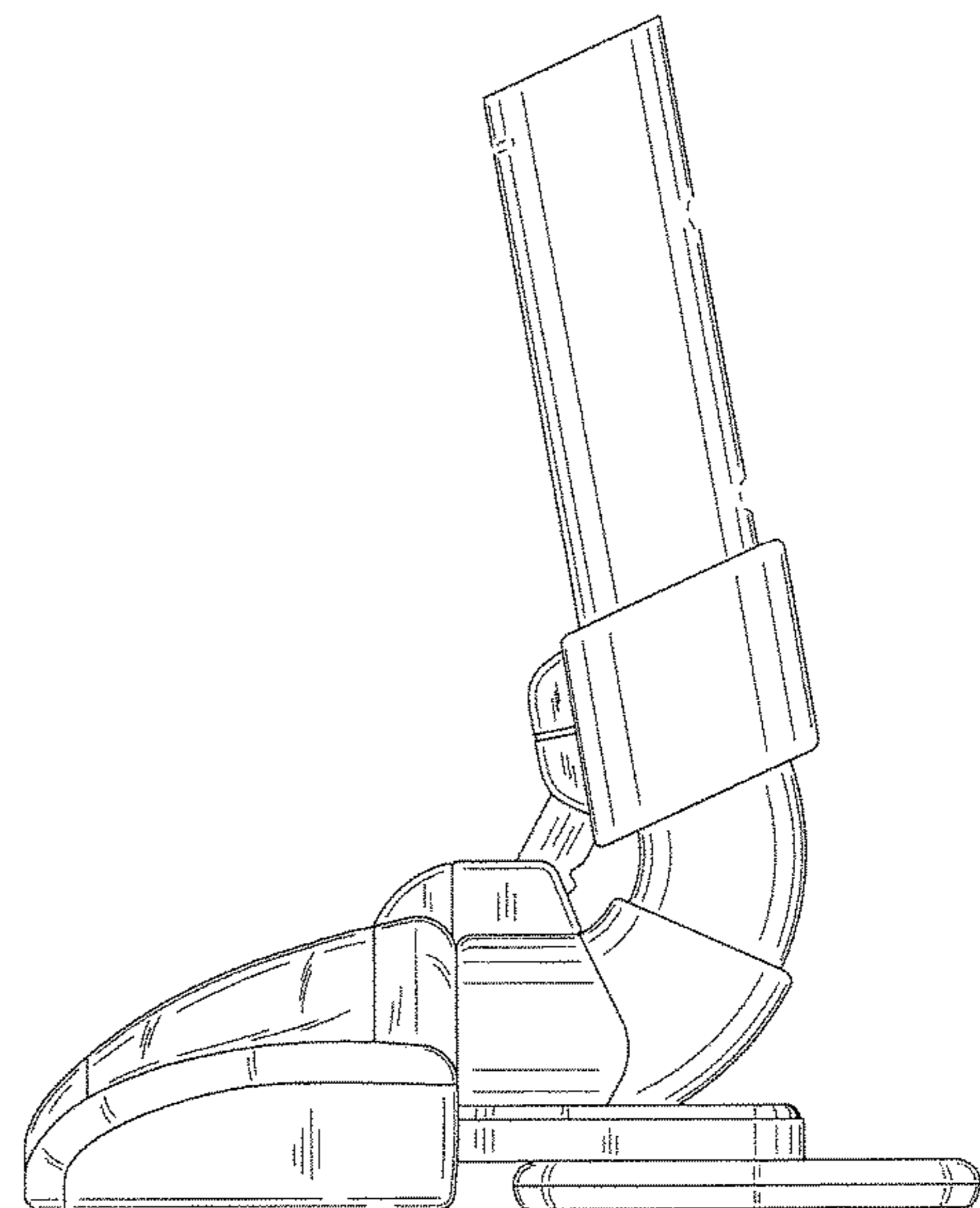
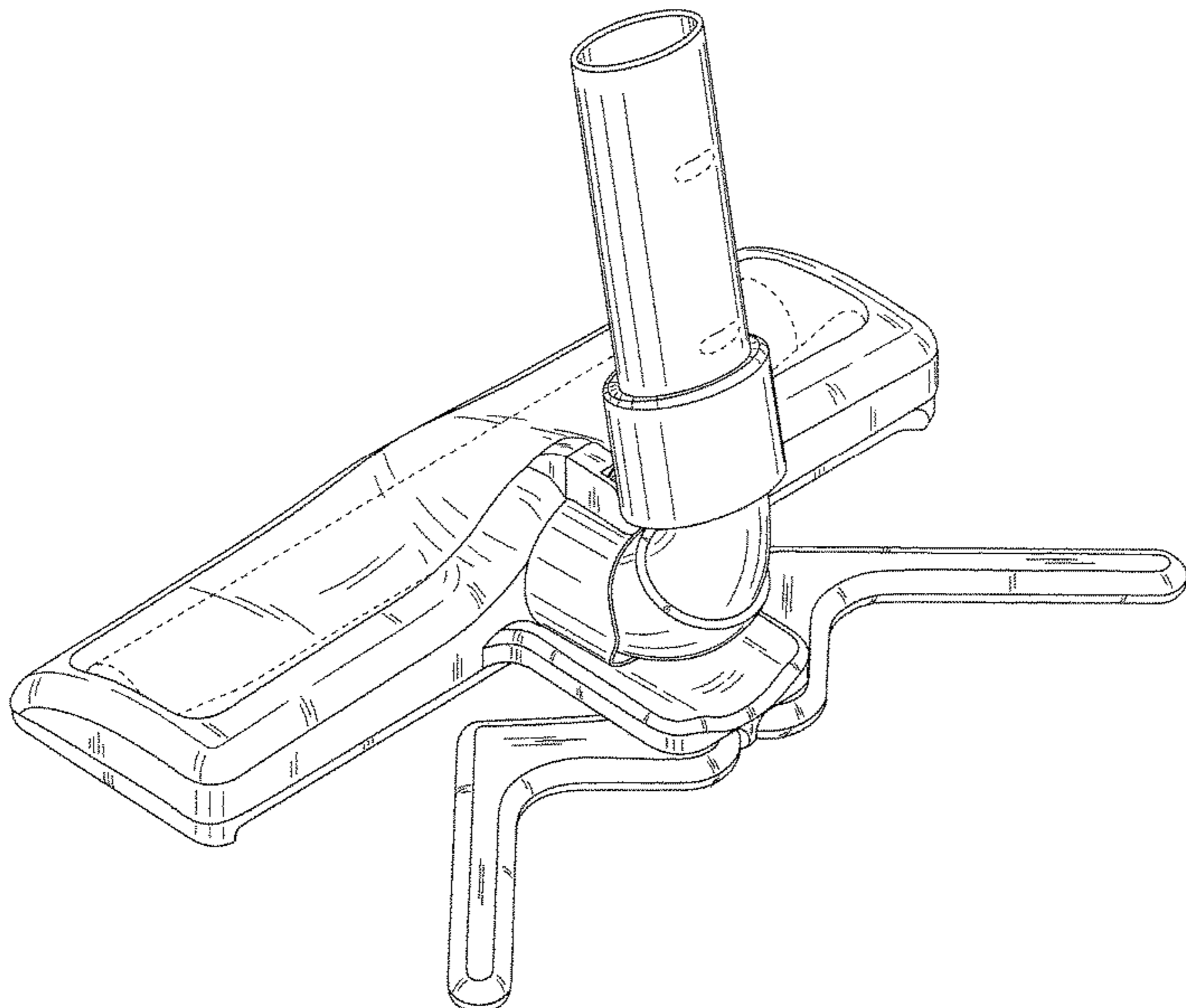


FIG. 1

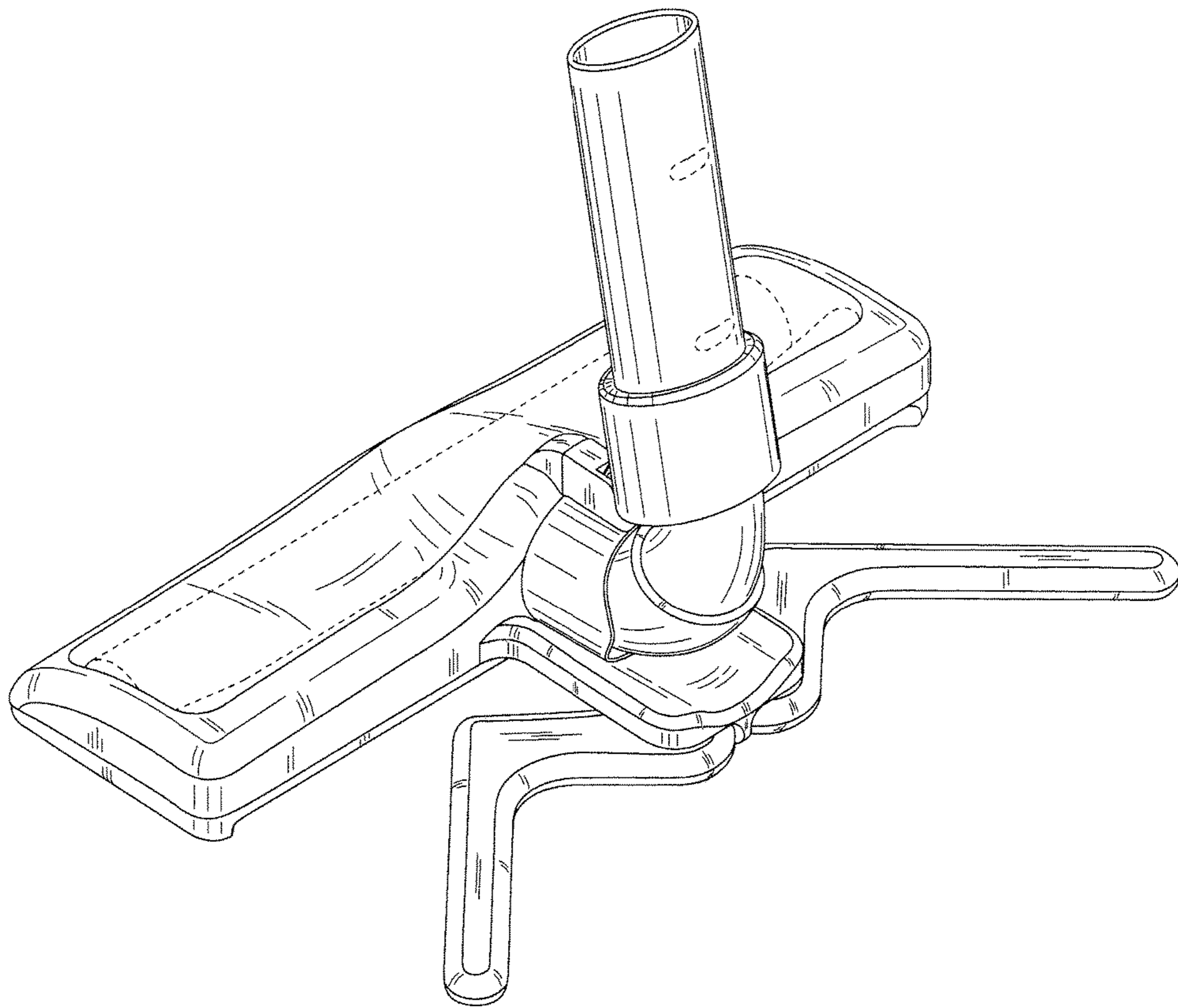


FIG. 2

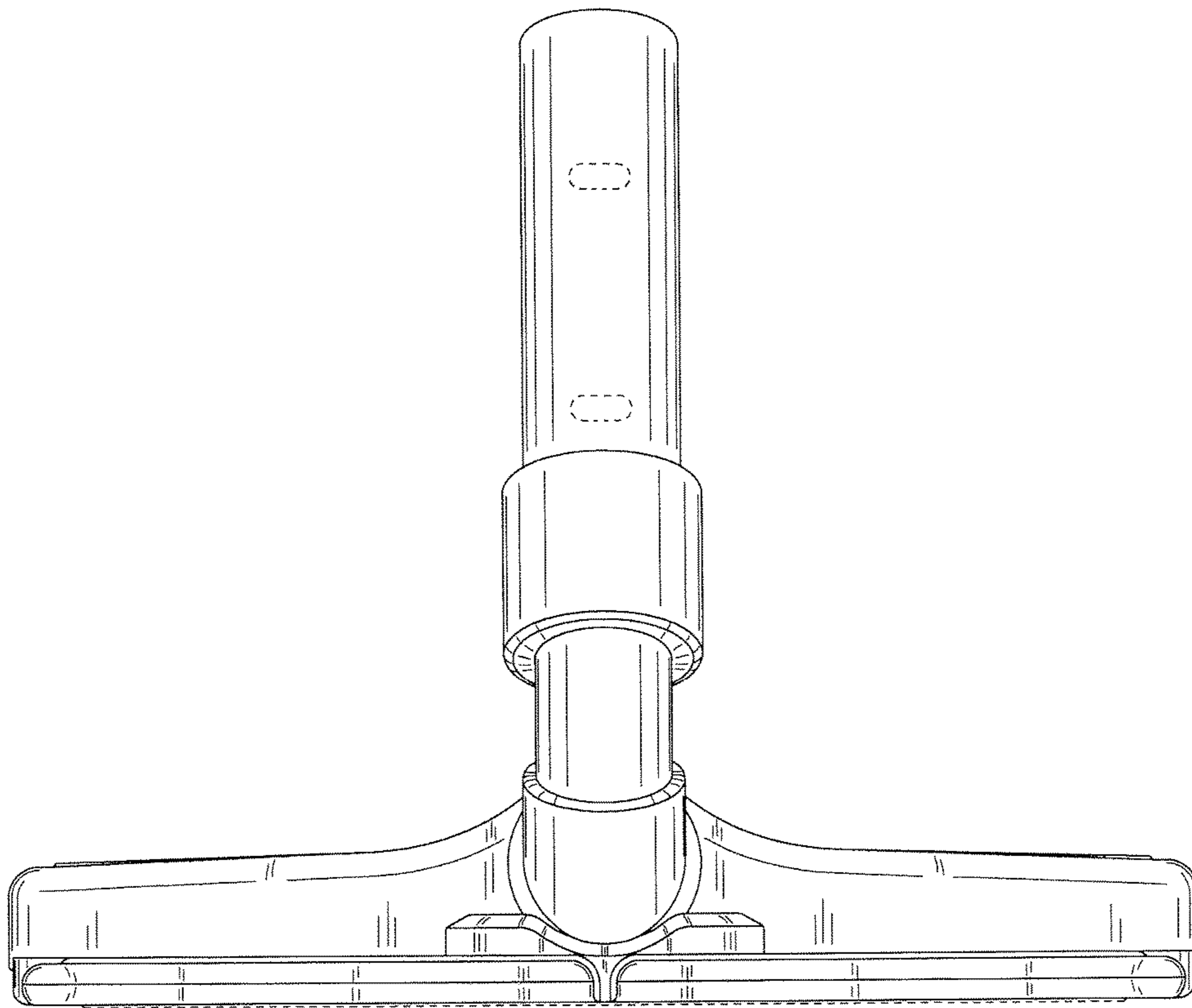


FIG. 3

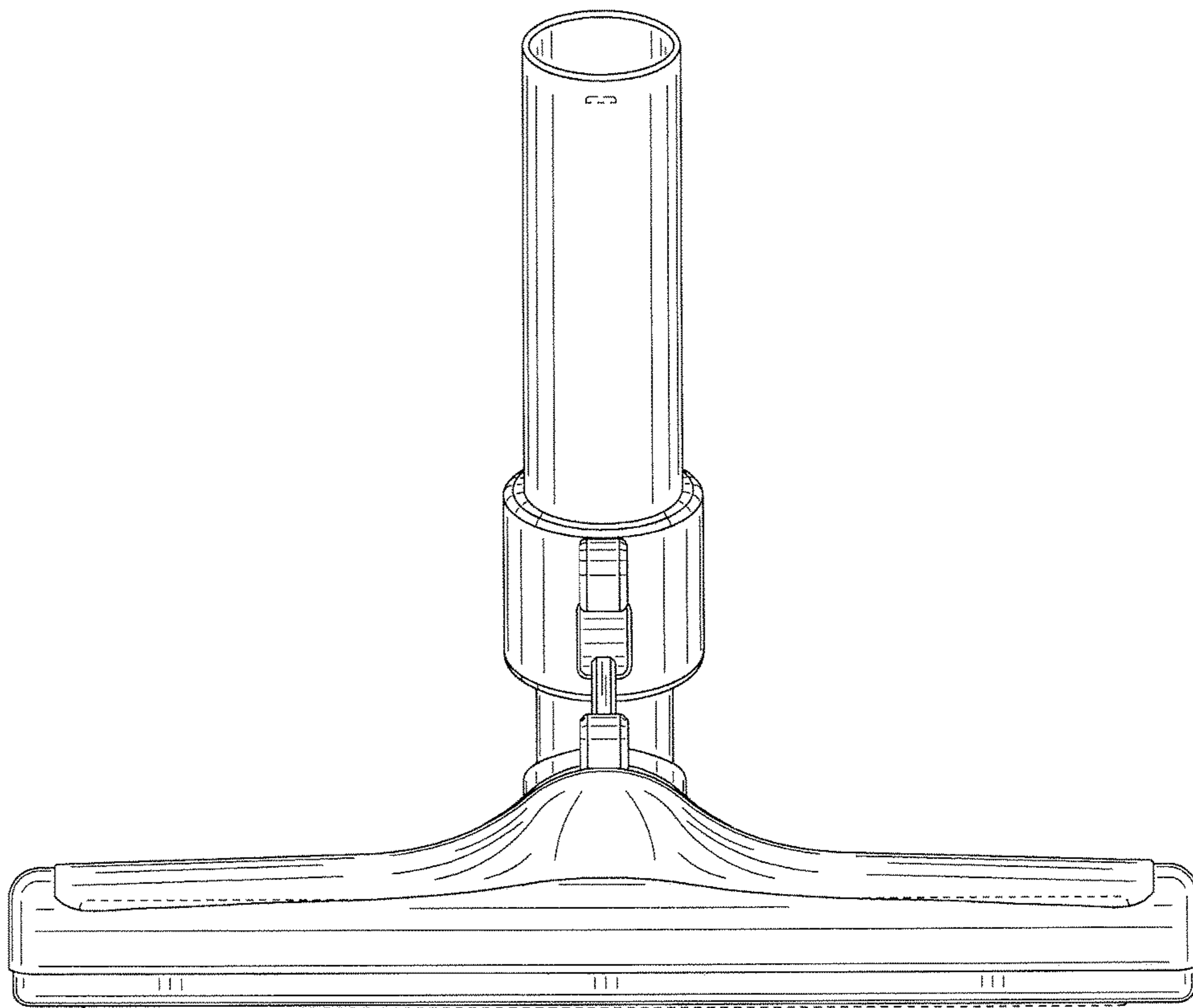


FIG. 4

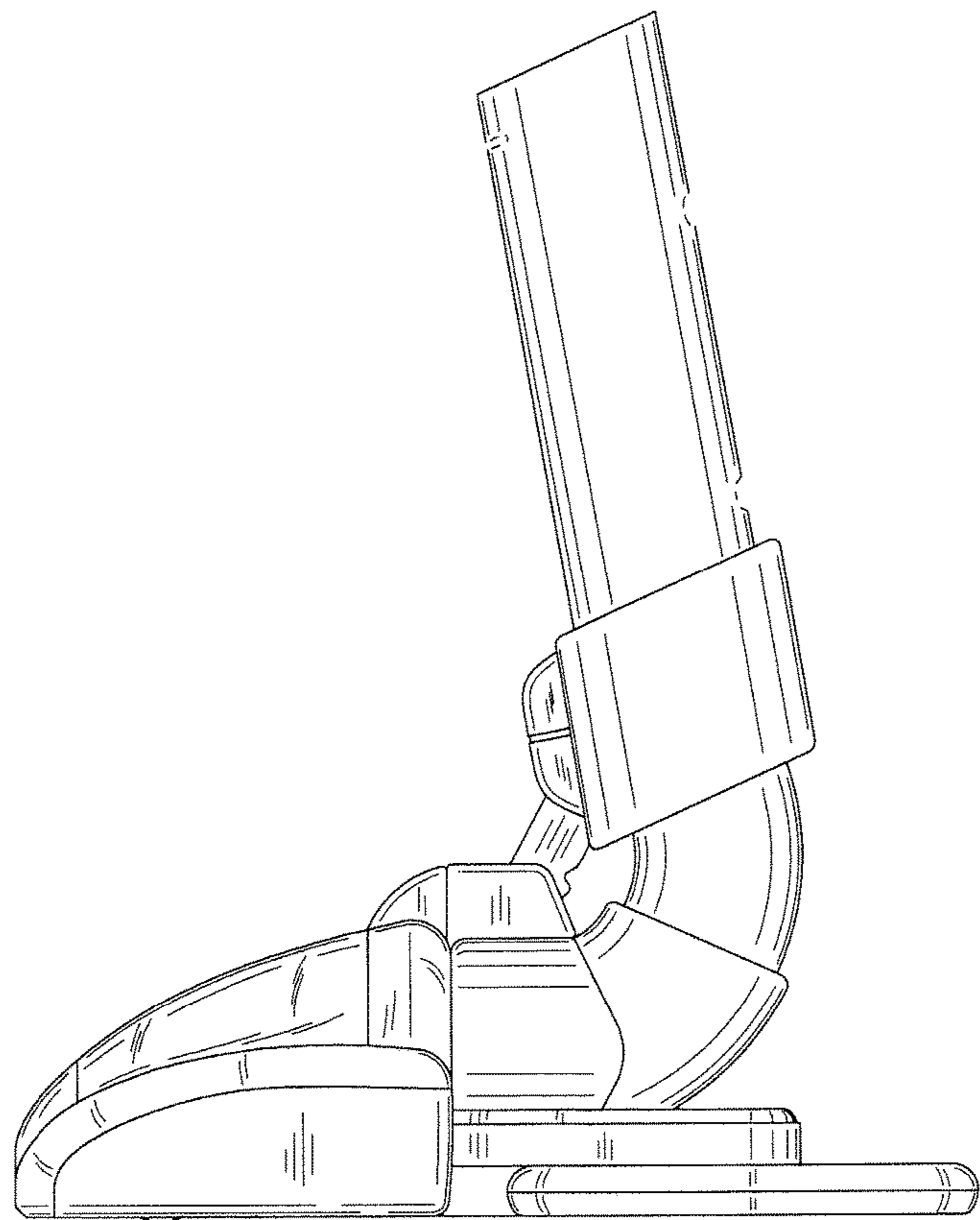


FIG. 5

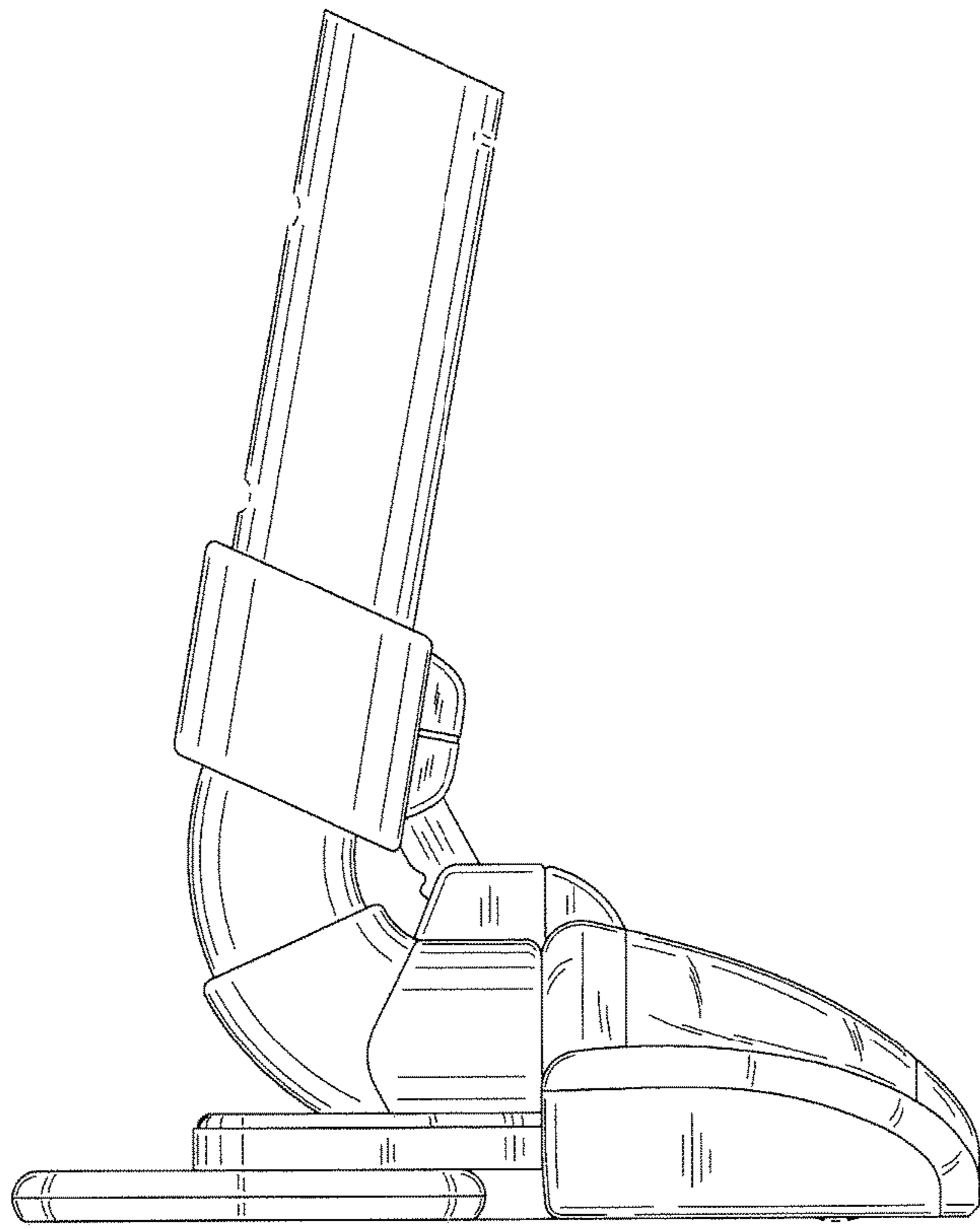


FIG. 6

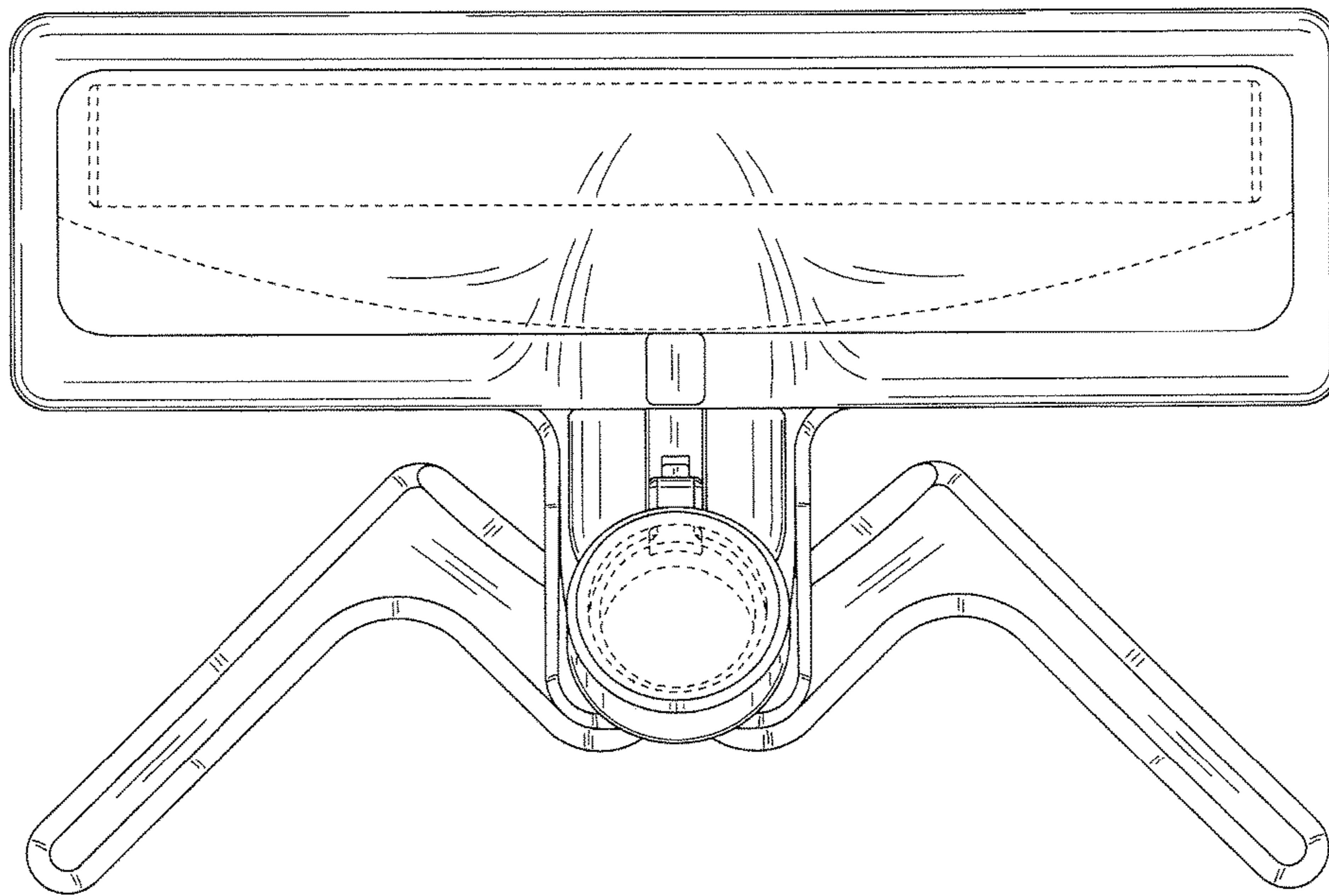


FIG. 7

