



US00D779138S

(12) **United States Design Patent**
Jin et al.

(10) **Patent No.:** **US D779,138 S**

(45) **Date of Patent:** **** Feb. 14, 2017**

(54) **MACHINE FOR CLEANING FLOORS**

(71) Applicant: **Alfred Kaercher GmbH & Co. KG,**
Winnenden (DE)

(72) Inventors: **Zheyi Jin,** Schwaikheim (DE); **Denis Dammkoehler,** Backnang (DE)

(73) Assignee: **Alfred Kaercher GmbH & Co. KG,**
Winnenden (DE)

(**) Term: **15 Years**

(21) Appl. No.: **29/531,197**

(22) Filed: **Jun. 24, 2015**

(30) **Foreign Application Priority Data**

Jan. 9, 2015 (WO) 864880001

(51) **LOC (10) Cl.** **15-05**

(52) **U.S. Cl.**
USPC **D32/16**

(58) **Field of Classification Search**
USPC . D32/1, 2, 6, 12, 15-16; D15/199; D24/217
CPC .. A46B 13/001; A47L 11/4038; A47L 11/305;
A47L 11/30; A47L 11/4055
See application file for complete search history.

(56) **References Cited**

U.S. PATENT DOCUMENTS

D202,170 S * 9/1965 Little et al. 15/320
D206,576 S * 1/1967 Knapp et al. D32/16
4,667,364 A * 5/1987 Meili A47L 11/293
15/319
4,759,094 A * 7/1988 Palmer A47L 11/30
15/320
D332,158 S * 12/1992 Bothun D32/15
D417,045 S * 11/1999 Dzierzk D32/16

D510,896 S * 10/2005 Hoelzel D12/175
D533,320 S * 12/2006 Pedlar D32/16
D542,988 S * 5/2007 Dammkoehler D32/16
D544,659 S * 6/2007 Auerswald D32/16
D549,405 S * 8/2007 Dammkoehler D32/16
D569,057 S * 5/2008 Goff D32/16
D571,512 S * 6/2008 Dammkoehler D32/15
D659,308 S * 5/2012 Dammkoehler D32/16
D661,853 S * 6/2012 Dammkoehler D32/16

(Continued)

OTHER PUBLICATIONS

Extract from catalog of Alfred Kaercher GmbH & Co. KG, "Programme 2010 Kaercher Professional (Professional, Commercial, Industrial)", cover, pp. 146, 159, 166-177 and last page (Nov. 2009).

(Continued)

Primary Examiner — Michael A. Pratt

Assistant Examiner — Michelle E Wilson

(74) *Attorney, Agent, or Firm* — Lipsitz & McAllister, LLC

(57) **CLAIM**

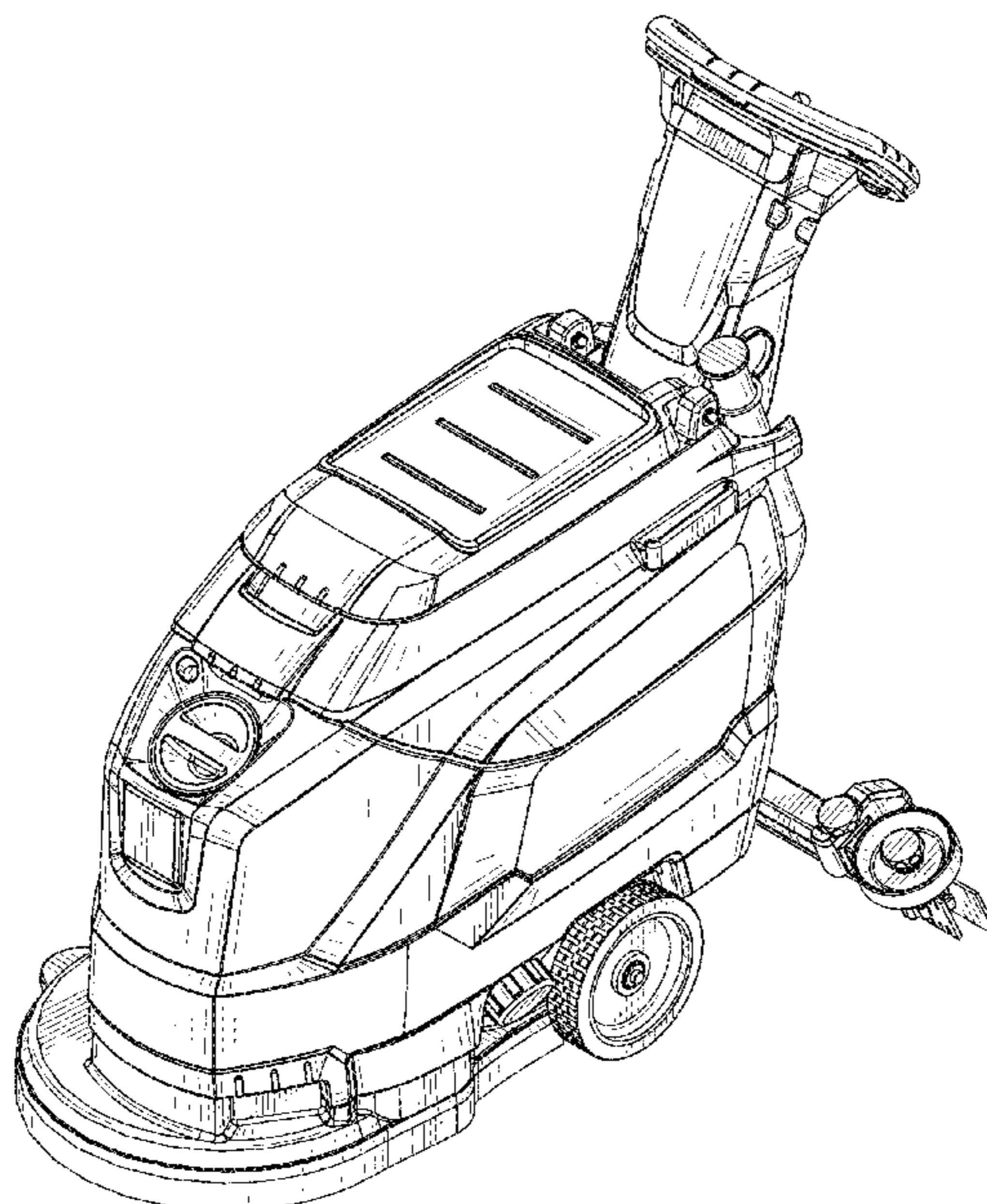
The ornamental design for a machine for cleaning floors, as shown and described.

DESCRIPTION

FIG. 1 is a front, top and left side perspective view of a machine for cleaning floors showing the new design; FIG. 2 is a front, top and right side perspective view thereof; FIG. 3 is a front elevational view thereof; FIG. 4 is a left side elevational view thereof; FIG. 5 is a rear elevational view thereof; FIG. 6 is a right side elevational view thereof; and, FIG. 7 is a top plan view thereof.

The broken line showing of various elements in FIG. 5 forms no part of the claimed design.

1 Claim, 7 Drawing Sheets



(56)

References Cited

U.S. PATENT DOCUMENTS

2008/0276414 A1* 11/2008 Wood A46B 13/001
15/383
2010/0212690 A1* 8/2010 Linden A47L 11/4038
134/6
2011/0047730 A1* 3/2011 Krausnick A47L 11/305
15/49.1
2011/0197916 A1* 8/2011 Oberhaensli A47L 11/30
134/6
2014/0144467 A1* 5/2014 Merz A47L 11/4055
134/6

OTHER PUBLICATIONS

Extract from catalog of Alfred Kaercher GmbH & Co. KG, "Programme 2011 Kaercher Professional (Commercial)", cover, pp. 12-19, 24, 26, 27, 203, 204, 206, 208, 210, 211 and last page (Nov. 2010).

Extract from catalog of Alfred Kaercher GmbH & Co. KG, "Programme 2011 Kaercher Professional (Professional, Industrial)", cover, pp. 51-53, 64, 65, 73-76, 78, 80-82 and last page (Nov. 2010).

Extract from catalog of Alfred Kaercher GmbH & Co. KG, "Programme 2012 Kaercher Professional (Professional)", cover, pp. 219, 220 and last page (Nov. 2011).

Extract from catalog of Alfred Kaercher GmbH & Co. KG, "Programme 2012 Kaercher Professional (Professional, Industrial)", cover, pp. 16, 26, 30, 36 and last page (Nov. 2011).

Extract from catalog of Alfred Kaercher GmbH & Co. KG, "Programme 2013/2014 Kaercher Professional (60 Hz)", cover, pp. 3-6, 172-176, 186, 188, 189, 192, 196, 198-202, 204, 206, 208-210 and last page (Aug. 2013).

Extract from catalog of Alfred Kaercher GmbH & Co. KG, "Programme 2014/2015 Kaercher Professional (60 Hz)", cover, pp. 13, 258, 262-264, 266, 267, 270, 271, 274, 276-280, 284, 285, 288, 289, 292, 294, 296-306, 375-377 and last page (May 2014).

* cited by examiner

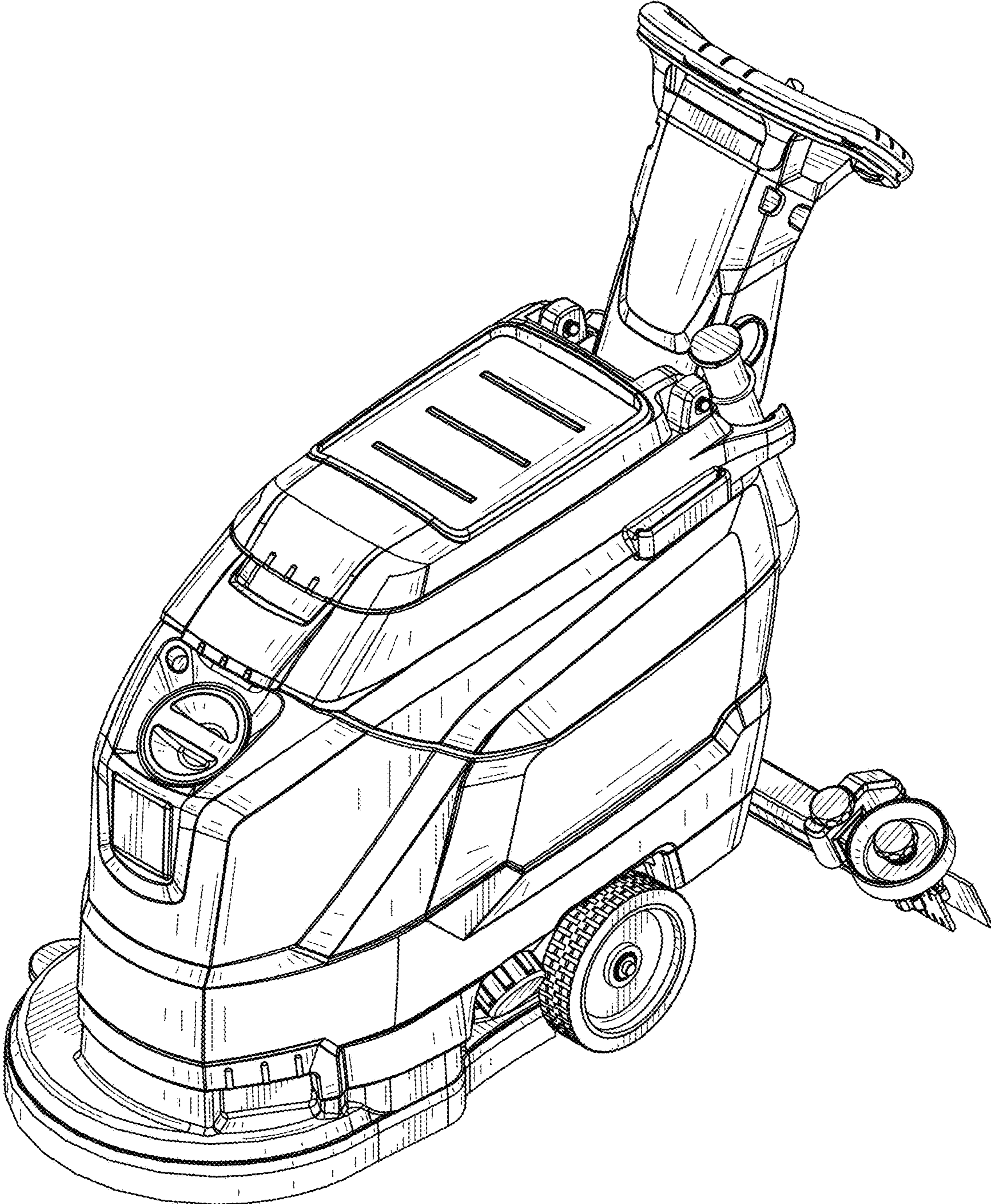


FIG.1

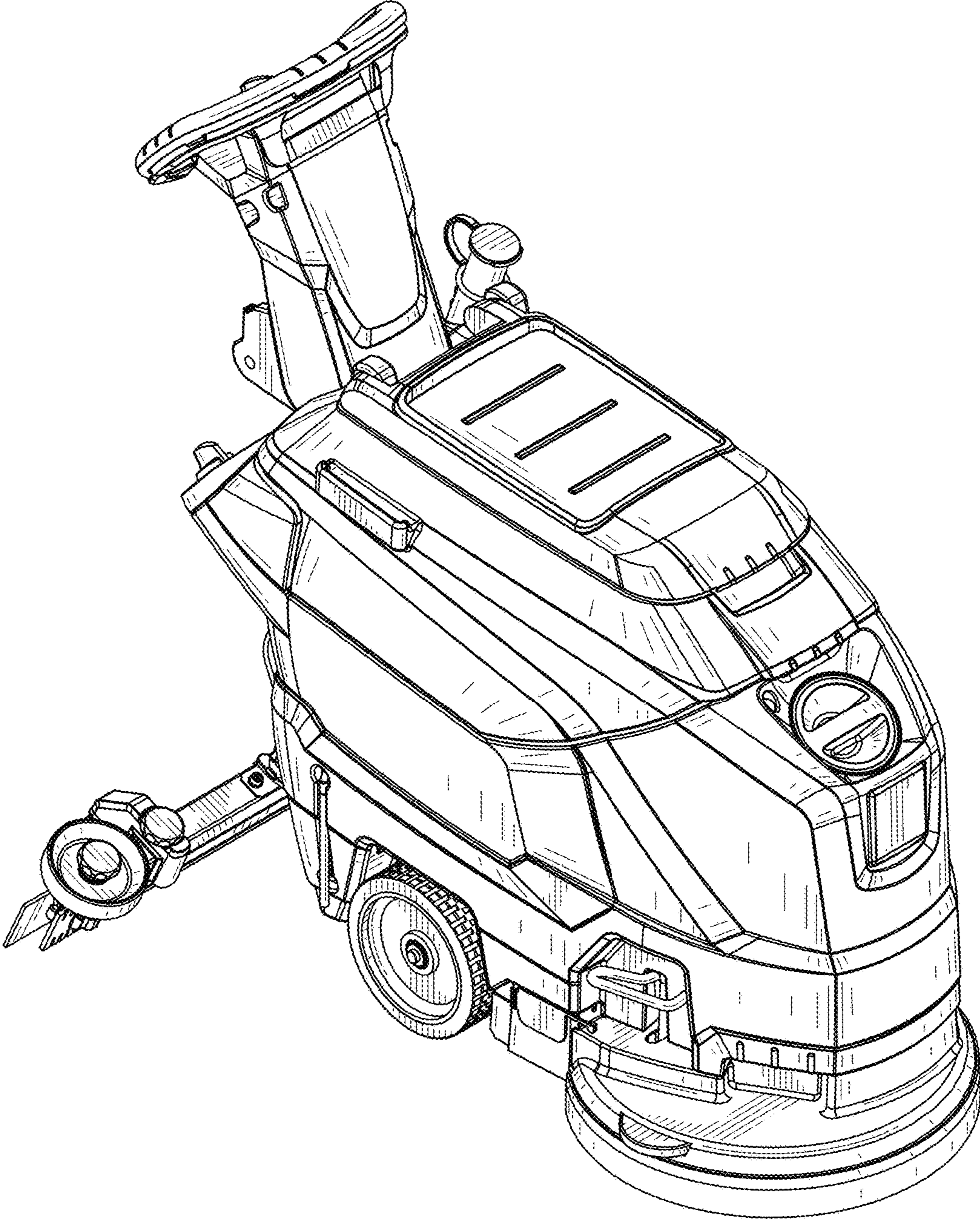


FIG.2

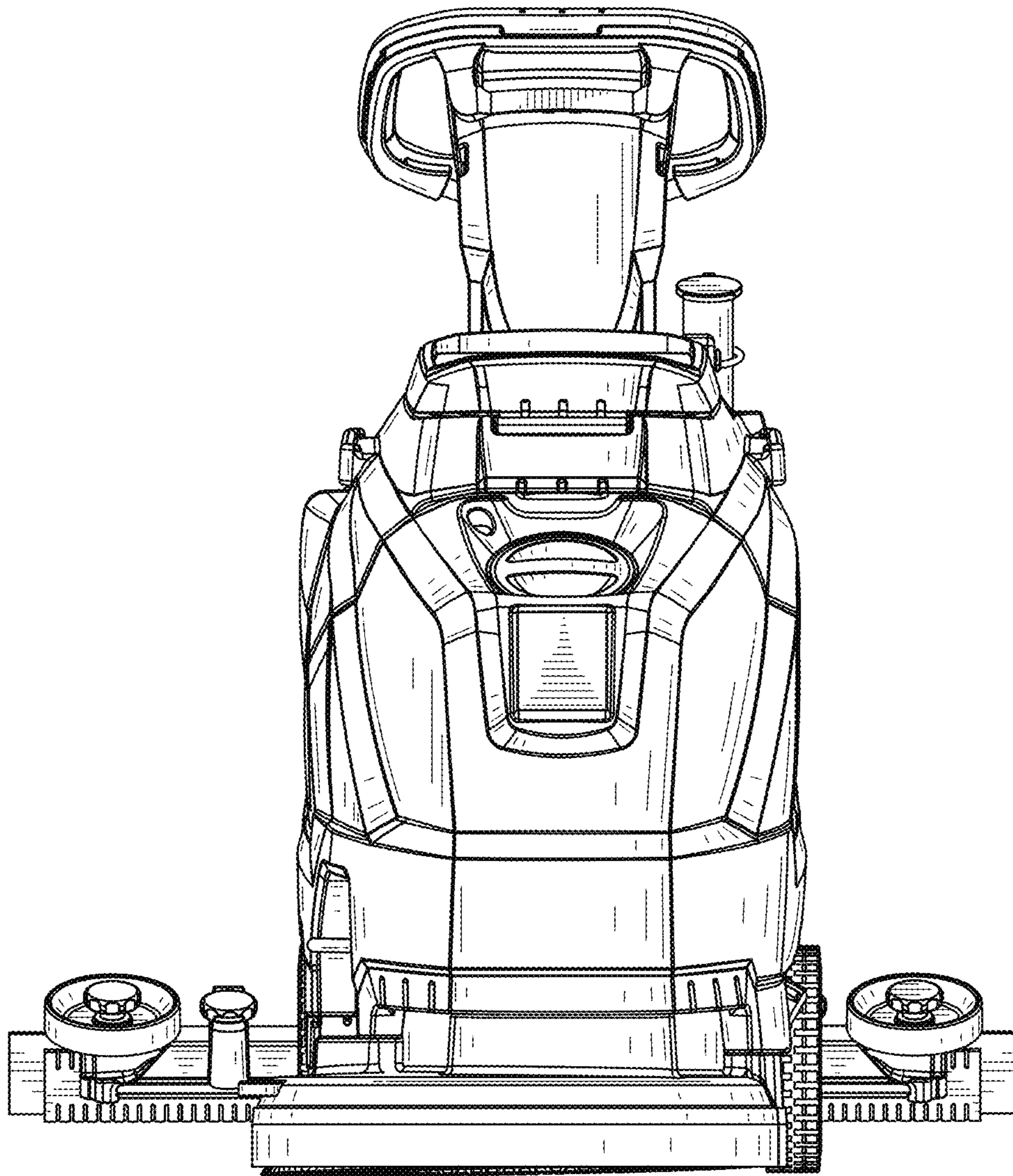


FIG.3

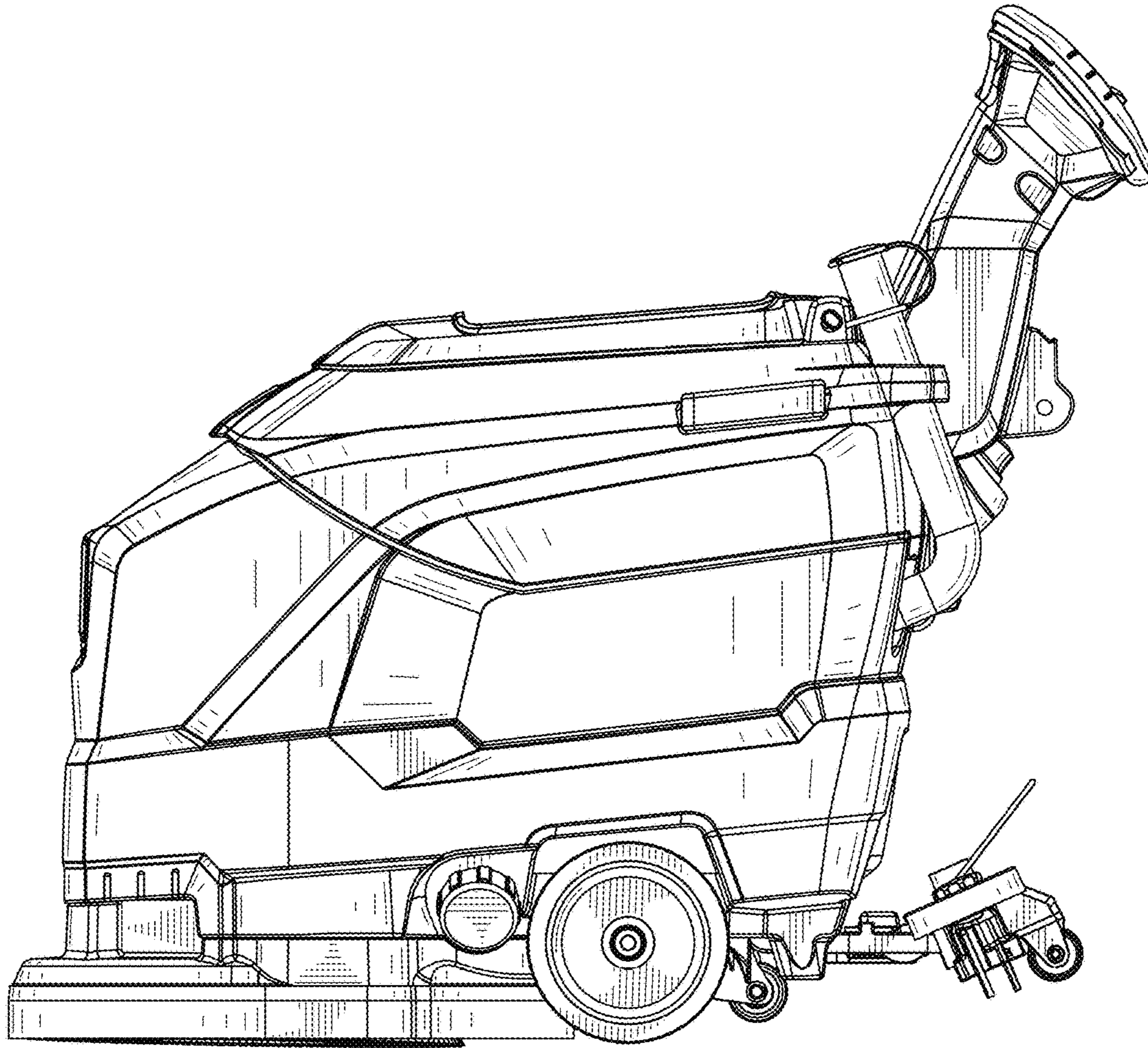


FIG.4

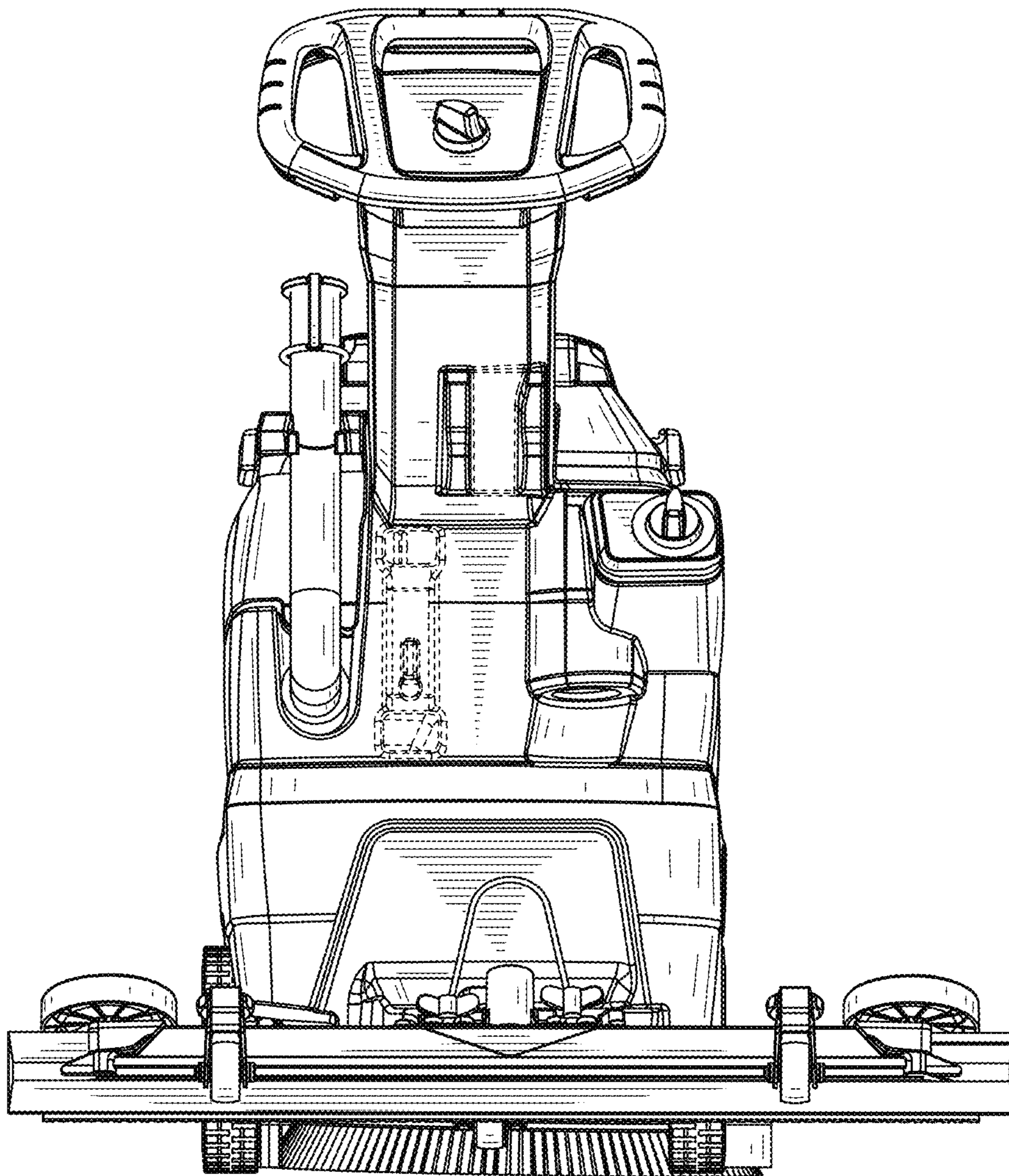


FIG.5

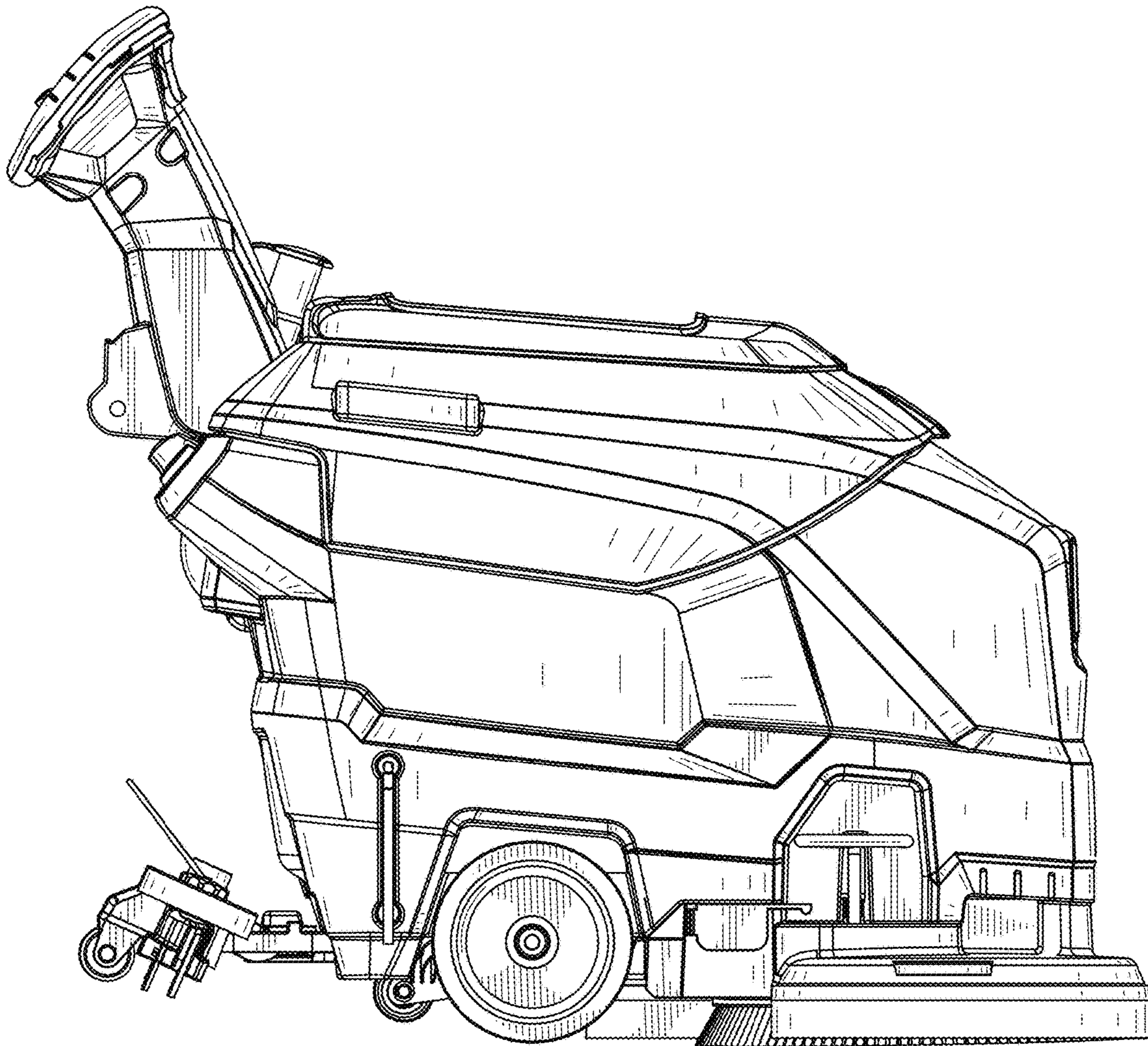


FIG.6

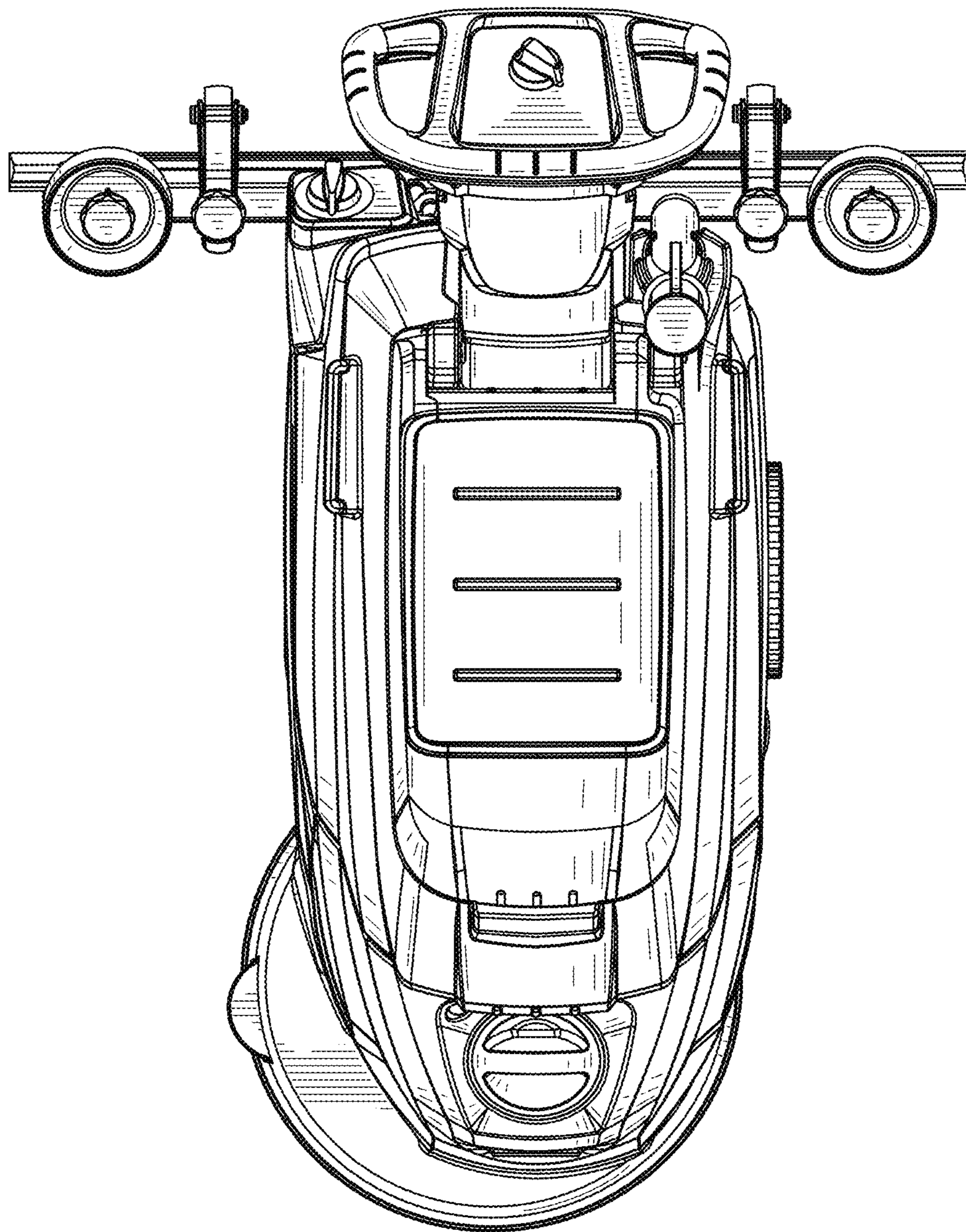


FIG.7