



US00D779135S

(12) **United States Design Patent** (10) **Patent No.:** **US D779,135 S**  
**Chang** (45) **Date of Patent:** **\*\* Feb. 14, 2017**

(54) **HAIR RAKE FOR PETS**

- (71) Applicant: **Shao-Peng Chang**, Taichung (TW)
- (72) Inventor: **Shao-Peng Chang**, Taichung (TW)
- (\*\*) Term: **14 Years**
- (21) Appl. No.: **29/518,723**
- (22) Filed: **Feb. 26, 2015**
- (51) **LOC (10) Cl.** ..... **30-99**
- (52) **U.S. Cl.**  
USPC ..... **D30/159; D30/158**
- (58) **Field of Classification Search**  
USPC ..... D30/158, 159, 199, 162, 106; 119/625, 119/633, 600, 617, 628, 632, 631, 613, 119/618, 619, 620, 611; 132/126, 142; 30/114, 130, 301, 305, 315, 316, 299, 30/303, 306, 169, 322, 31, 30, 279.2, 30/280, 287, 294, 199, 329-344, 346.56, 30/346.61, 355, 357; D7/672-676, 687, D7/686, 634, 619, 688, 653; 425/298; 426/503; D4/136, 127, 124-126, D4/116-118, 199, 194; D32/42, 25; D23/261; 2/160; 172/379, 380; D6/415, D6/410, 411; 294/1.3, 1.5, 55, 99.1, 49, 294/7, 9, 99.2, 118, 119, 19.2, 52; 209/418; D24/211, 147; D21/532, 398; D19/36; 34/381, 103, 104, 107; D11/104, D11/86; 56/400.01, 400.1, 400.17, 56/400.21, 400.05, 400.04, 330; 403/329, 403/326, 361; 15/402, 142, 236.07, 15/236.08, 236.05; 601/137, 136, 80, 93, 601/95, 97, 101, 103, 138, 143-147; D28/91.2, 63, 52, 31; D8/13, 6, 10, 11, D8/12, 1; 126/173, 214 C, 25 R; 99/450  
CPC ..... A01K 13/00; A01K 13/002; B26B 19/24; B26B 19/063; B26B 21/16; B26B 21/18; B26B 21/521; B26B 21/4075; B26B 21/522; A45D 24/30; A45D 24/00; A45D 24/04; A45D 24/10; A45D 24/36; A45D 24/02; A46B 5/02; A46B 5/021; A46B 5/028; A46B 2200/1093; A46B 2200/10  
See application file for complete search history.

(56) **References Cited**

U.S. PATENT DOCUMENTS

D613,003	S	*	3/2010	Miller	.....	D30/158
D739,986	S	*	9/2015	Sullivan	.....	D30/159
9,301,500	B1	*	4/2016	Murphy	.....	A01K 13/002
2007/0193529	A1	*	8/2007	Vandervoet	.....	A01K 13/002
						119/617
2011/0067644	A1	*	3/2011	Prochaska	.....	A01K 13/002
						119/628
2012/0304938	A1	*	12/2012	Wang	.....	A01K 13/002
						119/618
2013/0125829	A1	*	5/2013	Wang	.....	A01K 13/002
						119/611
2014/0026821	A1	*	1/2014	Tu	.....	A01K 13/002
						119/600
2016/0073612	A1	*	3/2016	Cafasso	.....	A45D 24/10
						119/601

OTHER PUBLICATIONS

Best GoPets Dematting Tool, <http://www.bestgopets.com/products/dematting-tool.html> , 2015 1 page.\*

Unhairing Pet Dematting Comb w/Rounded Steel Rake, [https://www.amazon.com/UNHAIRING-Dematting-Grooming-Rounded-Steel/dp/B01G2V065O/ref=sr\\_1\\_1?s=pets-supplies&ie=UTF8&qid=1475890105&sr=1-1&keywords=The+UNHAIRING+Pet+Dematting+Comb+and+Grooming+Tool+For+Dogs+And3+Cats+With+Rounded+Steel+Rake, 2016, 1 page.\\*](https://www.amazon.com/UNHAIRING-Dematting-Grooming-Rounded-Steel/dp/B01G2V065O/ref=sr_1_1?s=pets-supplies&ie=UTF8&qid=1475890105&sr=1-1&keywords=The+UNHAIRING+Pet+Dematting+Comb+and+Grooming+Tool+For+Dogs+And3+Cats+With+Rounded+Steel+Rake, 2016, 1 page.*)

Pet Republique Professional Dog Dematting Comb Rake, [https://www.amazon.com/Pet-Republic-Professional-Dematting-Splitter/dp/B018PU7TDM/ref=cm\\_cr\\_arp\\_d\\_pdt\\_img\\_sims?ie=UTF8, 2015, 1 page.\\*](https://www.amazon.com/Pet-Republic-Professional-Dematting-Splitter/dp/B018PU7TDM/ref=cm_cr_arp_d_pdt_img_sims?ie=UTF8, 2015, 1 page.*)

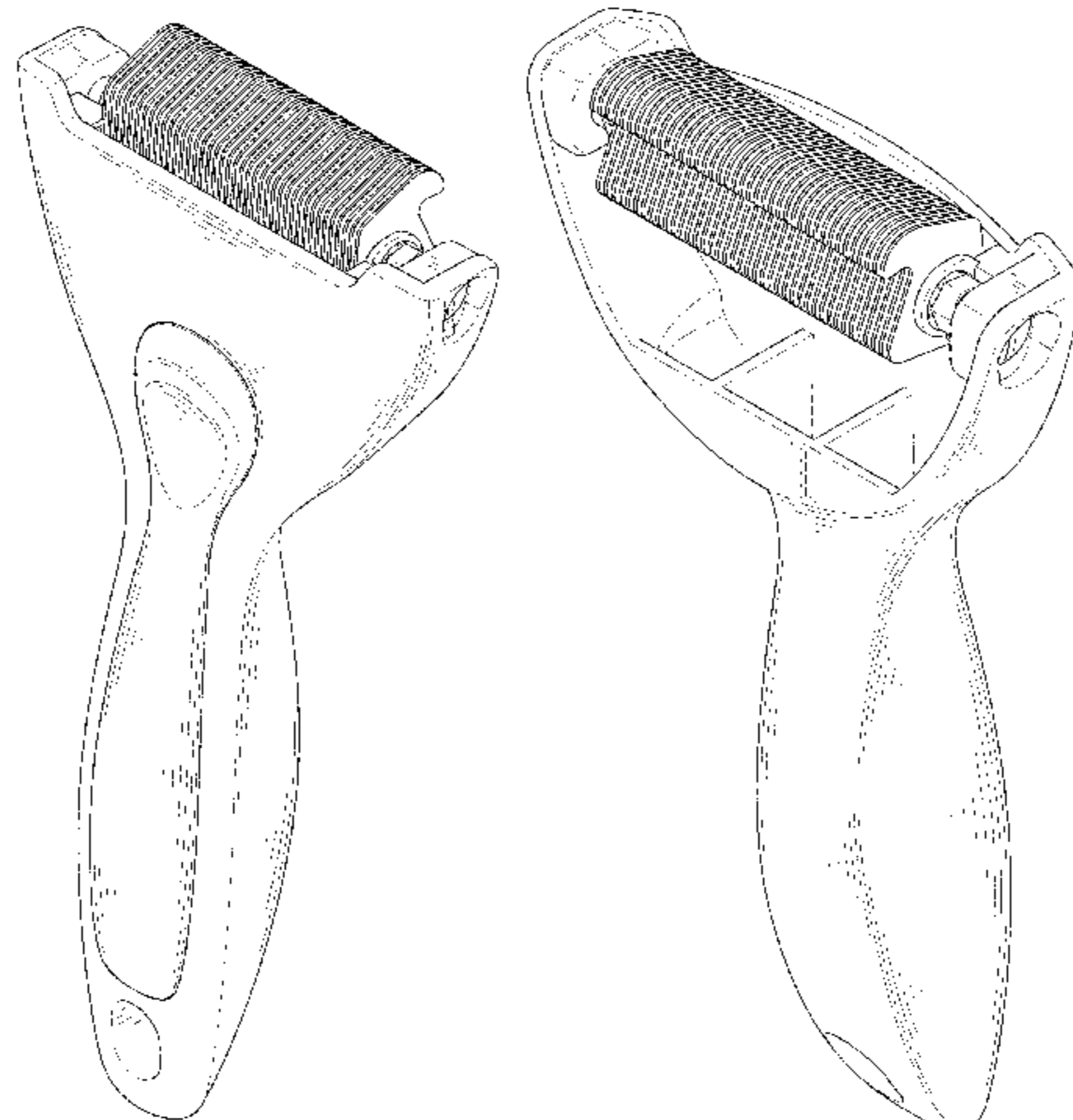
K9 Connection Dematting Comb w/Stainless Steel Pet Safe Blades, [https://www.amazon.com/dp/B01B8Y1Y24?psc=1 2016, 1 page.\\*](https://www.amazon.com/dp/B01B8Y1Y24?psc=1 2016, 1 page.*)

Green Street Pet Basics Undercoat Rake, [https://www.amazon.com/dp/B01EEUVVRM?psc=1 2016, 1 page.\\*](https://www.amazon.com/dp/B01EEUVVRM?psc=1 2016, 1 page.*)

\* cited by examiner

Primary Examiner — Susan Moon Lee

(74) Attorney, Agent, or Firm — patenttm.us



(57)

**CLAIM**

The ornamental design for a hair rake for pets, as shown.

**DESCRIPTION**

FIG. 1 is a perspective view of a hair rake for pets, showing my new design;  
FIG. 2 is a front view thereof;

FIG. 3 is a rear view thereof;  
FIG. 4 is a left side view thereof;  
FIG. 5 is a right side view thereof;  
FIG. 6 is a top view thereof;  
FIG. 7 is a bottom view thereof; and,  
FIG. 8 is another perspective view thereof.

**1 Claim, 8 Drawing Sheets**

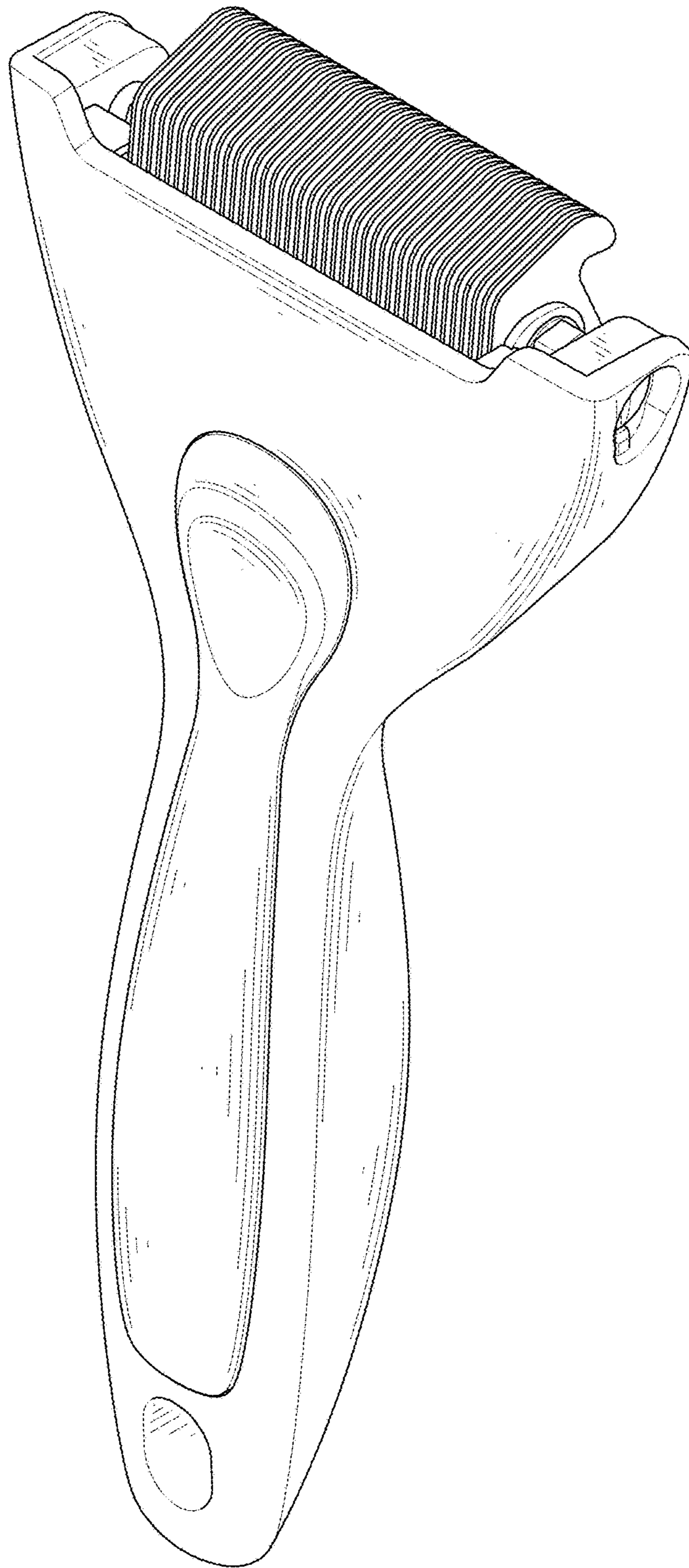


FIG.1

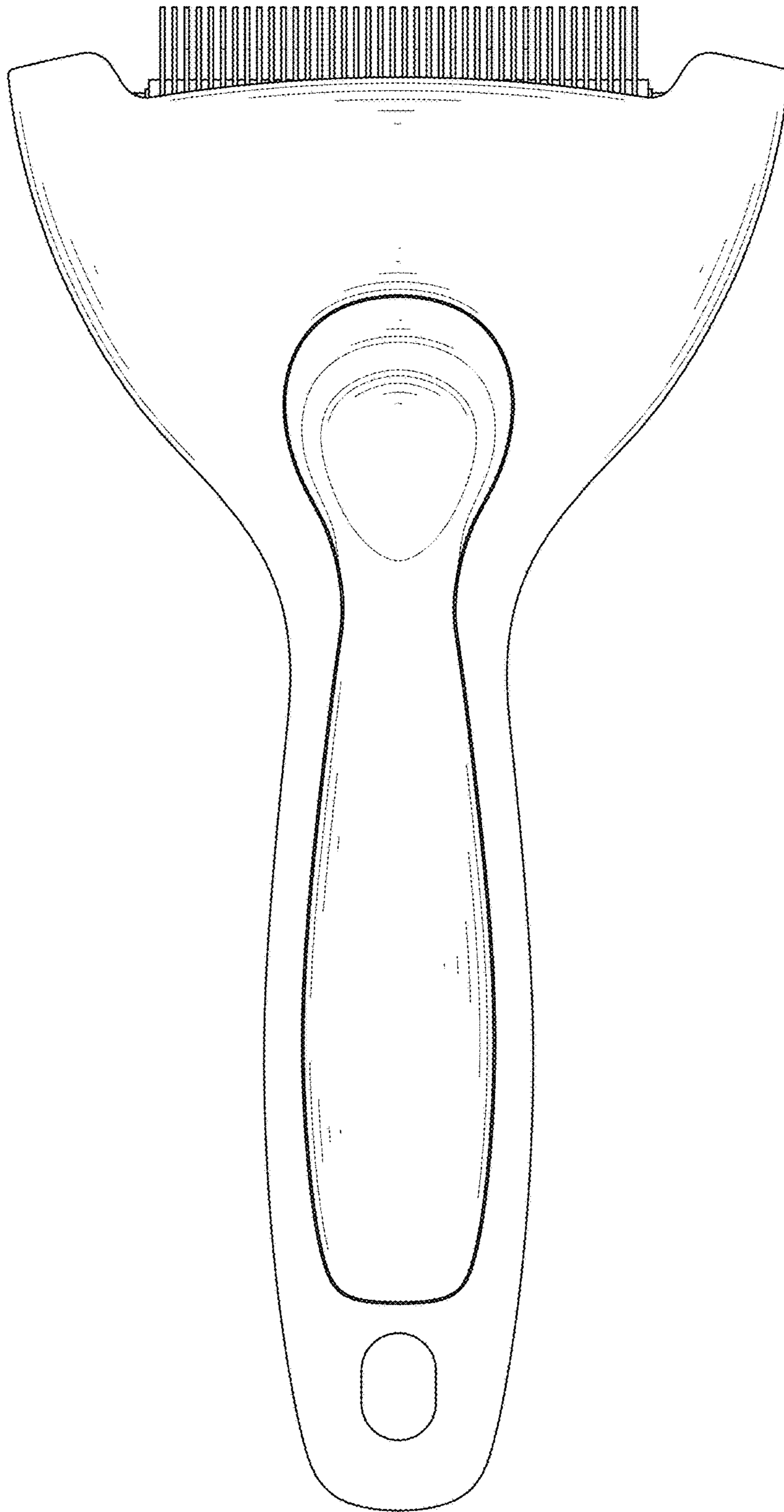


FIG.2



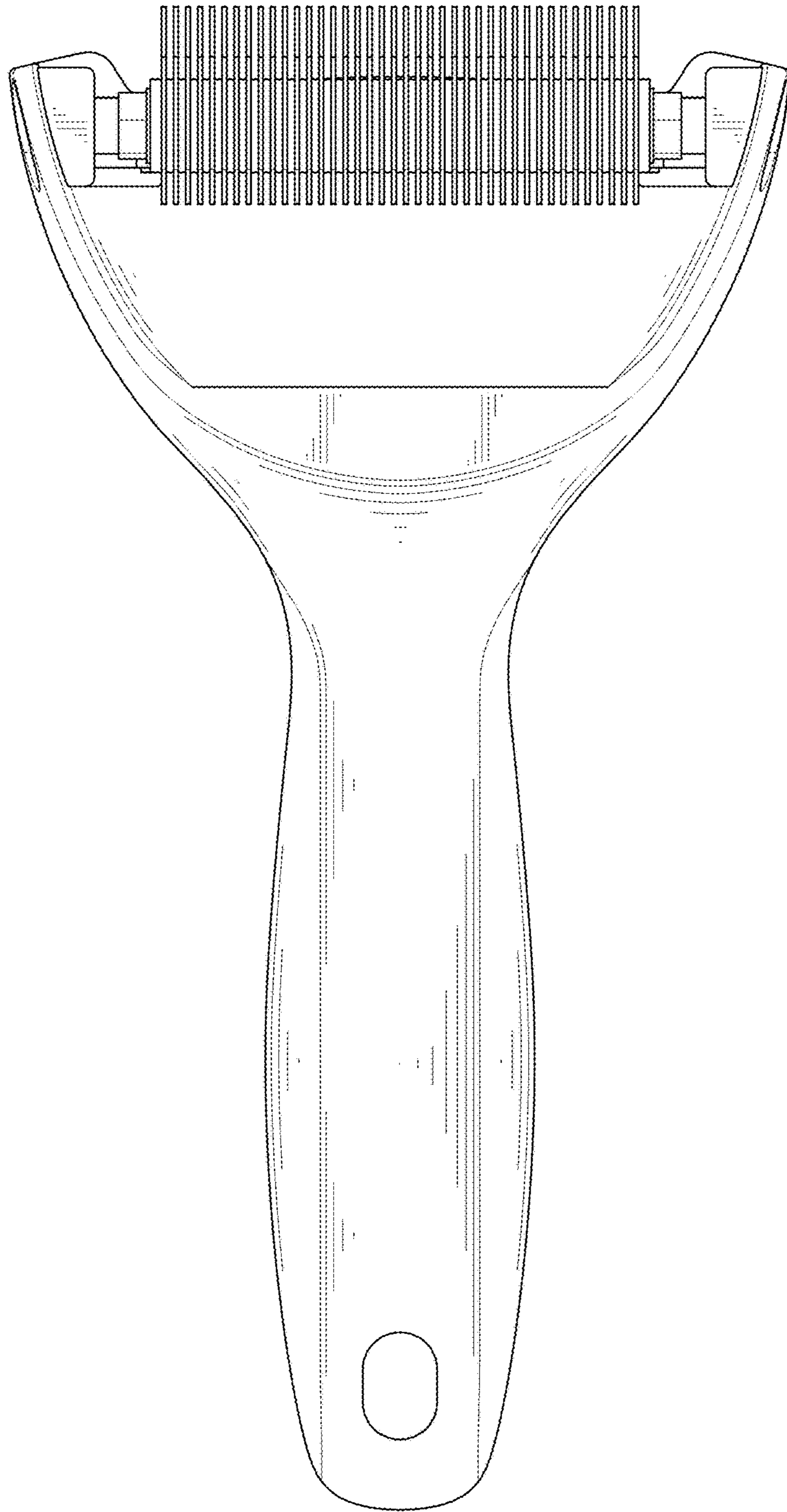


FIG.3

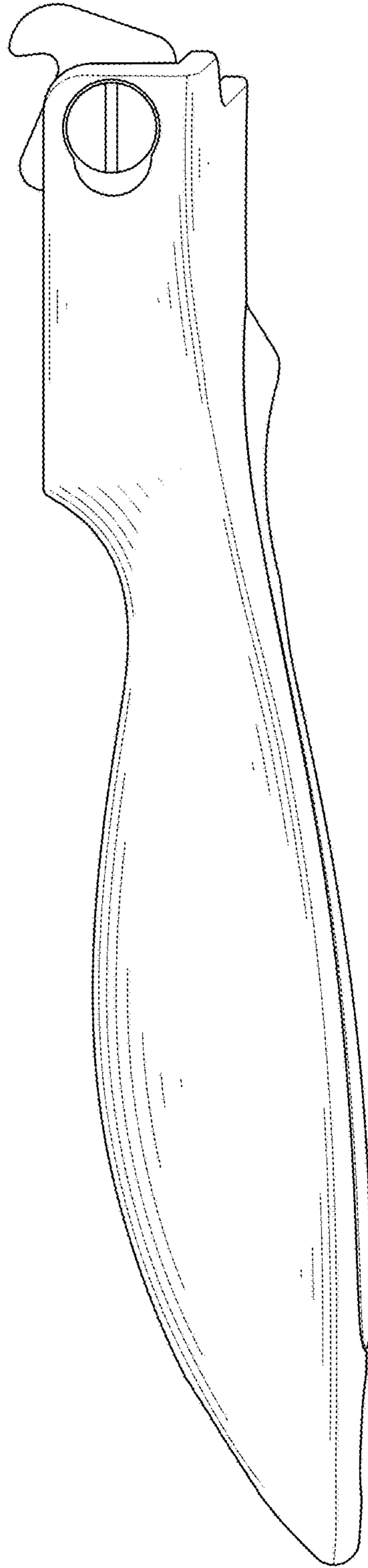


FIG.4

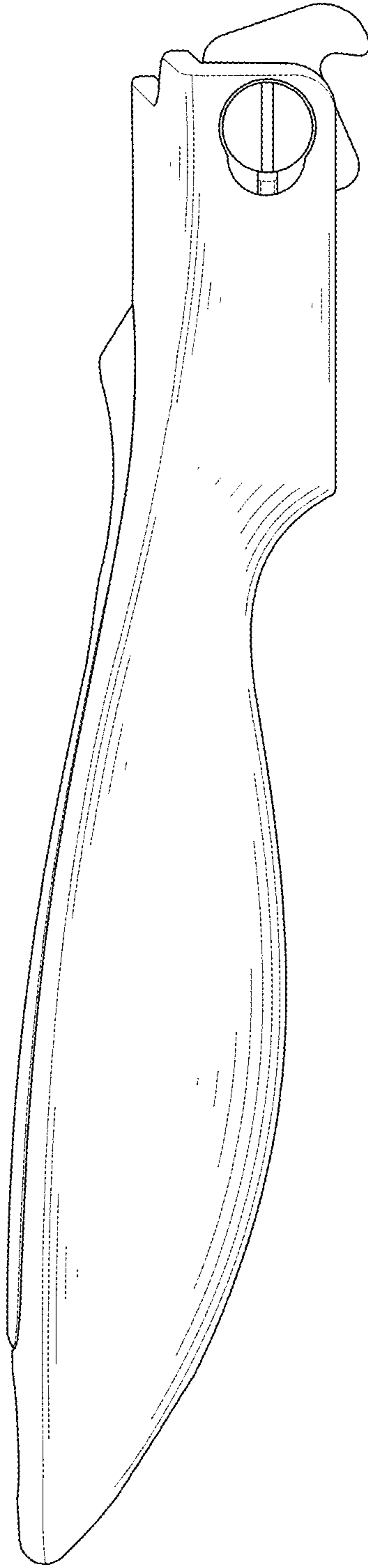


FIG.5

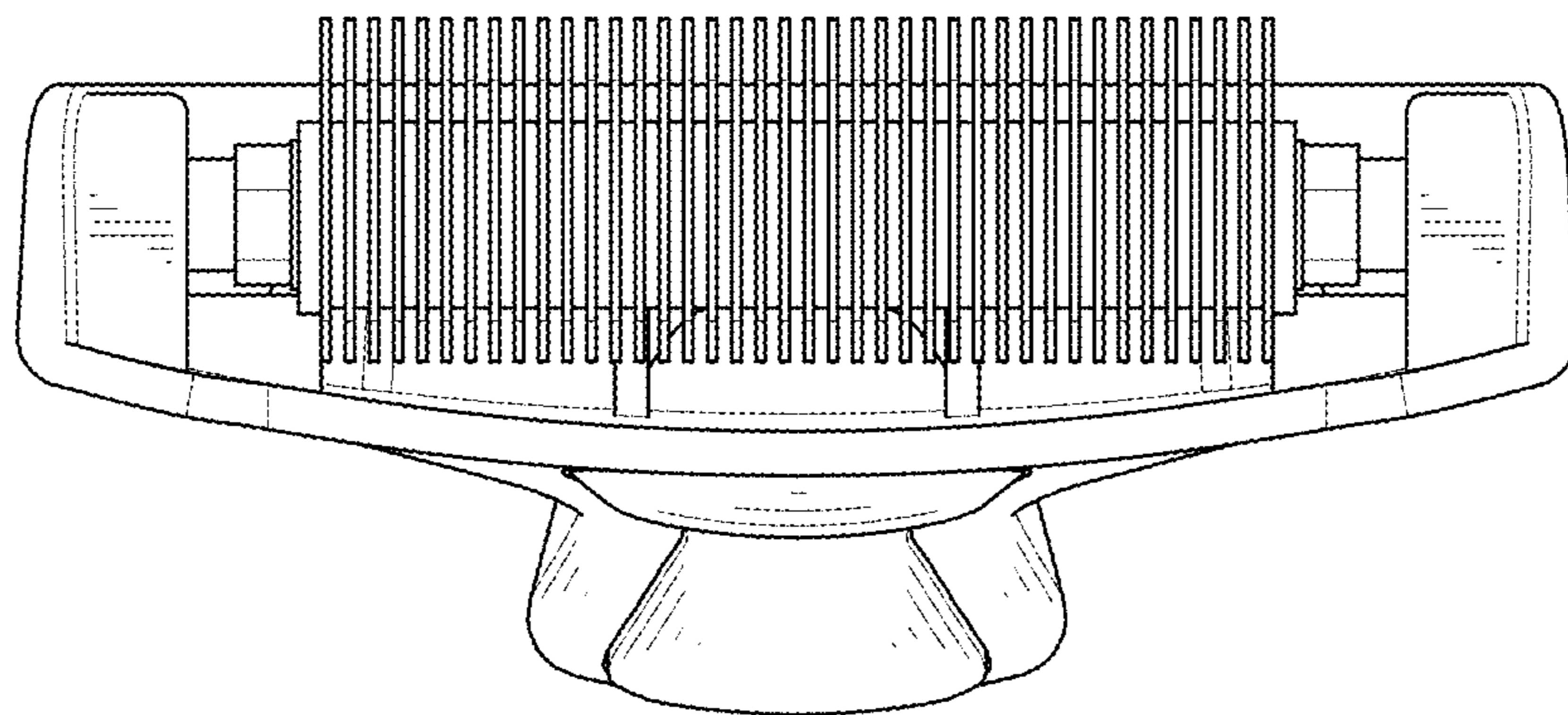


FIG.6



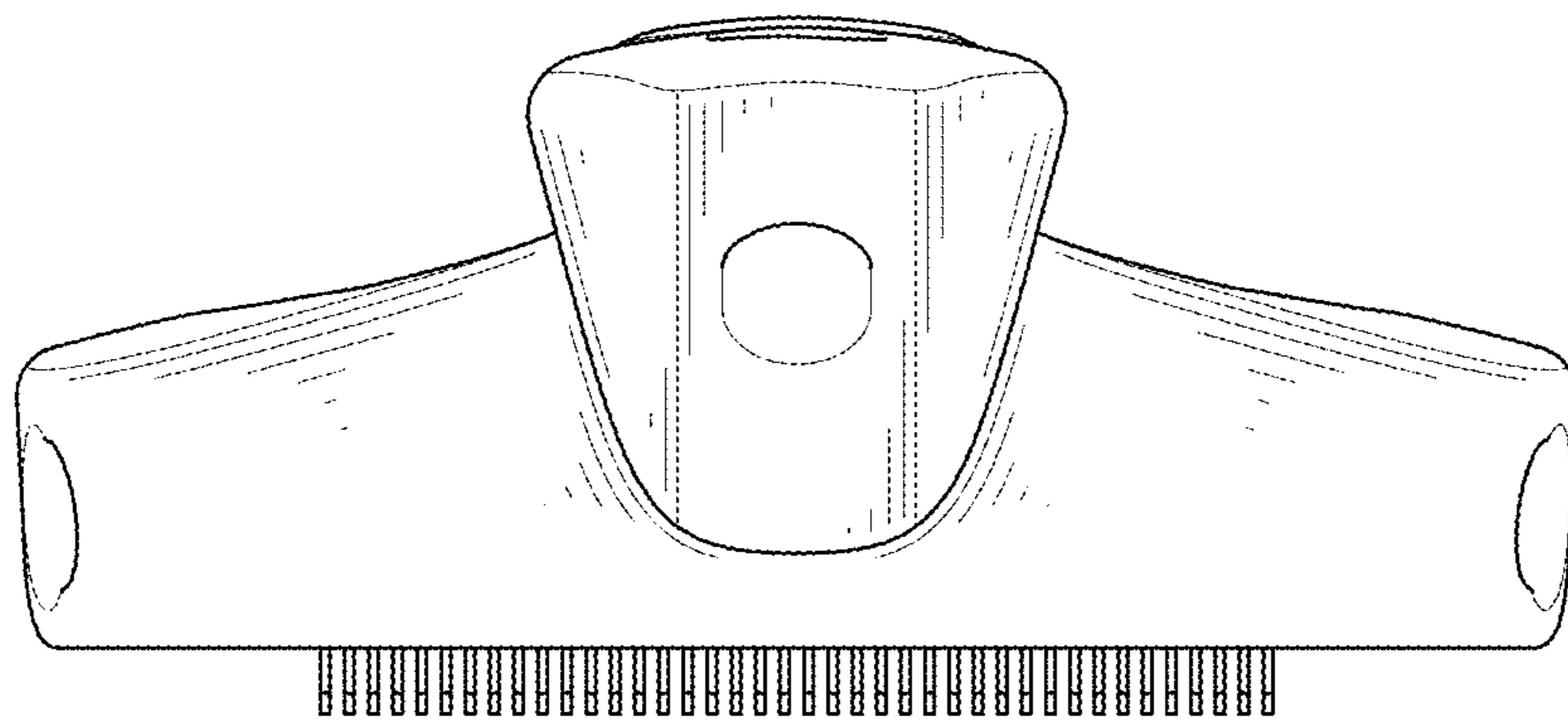


FIG. 7

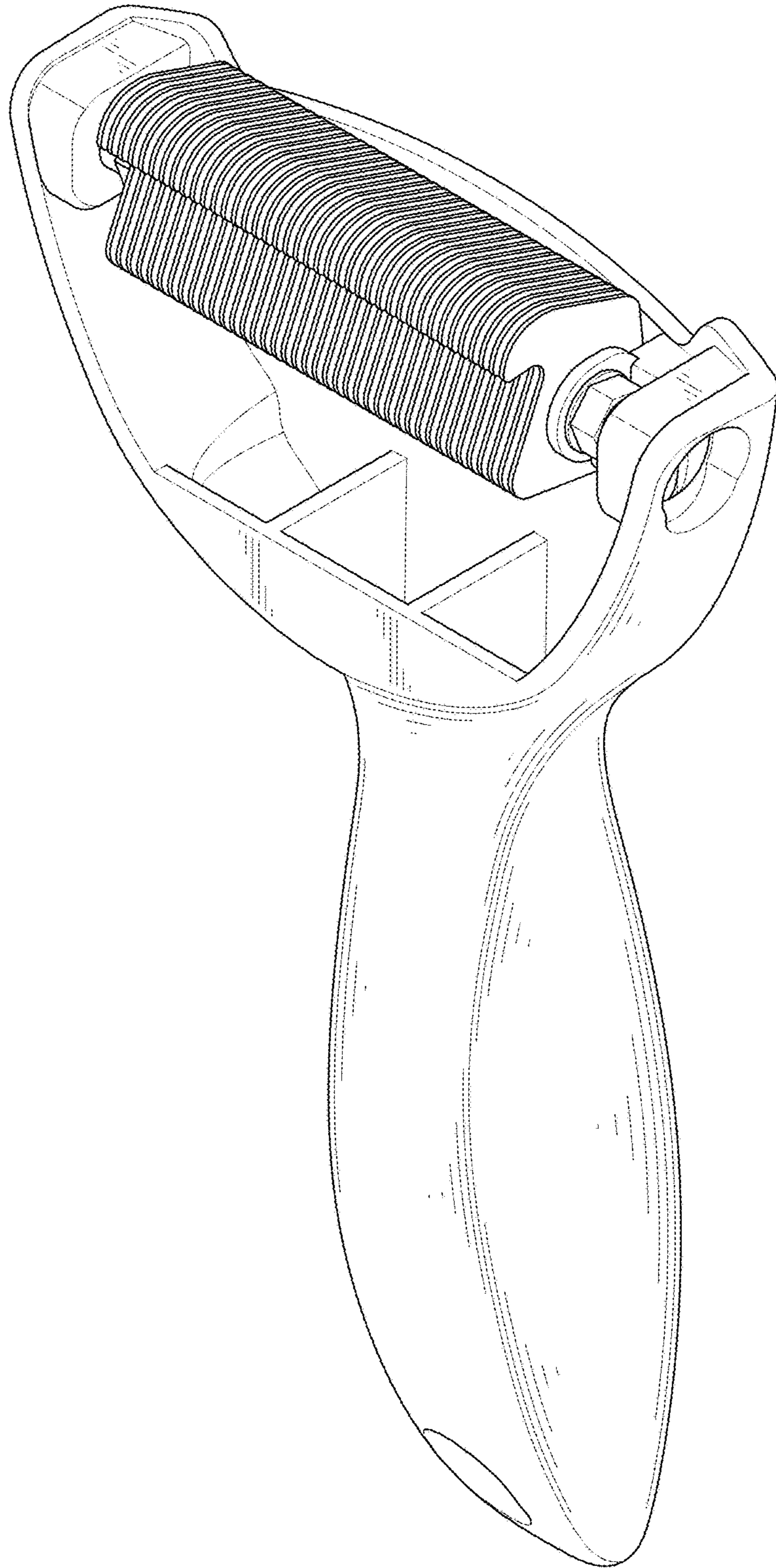


FIG.8