



US00D779133S

(12) **United States Design Patent** (10) **Patent No.:** **US D779,133 S**
Willows et al. (45) **Date of Patent:** **** Feb. 14, 2017**

(54) **REFLECTIVE STRIP**
(71) Applicant: **Amphipod, Inc.**, Seattle, WA (US)
(72) Inventors: **Keith S. Willows**, Seattle, WA (US);
June A. Angus, Seattle, WA (US);
Antonio Del Rosario, Bellevue, WA (US)
(73) Assignee: **Amphipod, Inc.**, Seattle, WA (US)
(**) Term: **15 Years**

Primary Examiner — George D Kirschbaum
(74) *Attorney, Agent, or Firm* — Lowe Graham Jones, PLLC

(21) Appl. No.: **29/528,957**
(22) Filed: **Jun. 2, 2015**
(51) **LOC (10) Cl.** **29-02**
(52) **U.S. Cl.**
USPC **D29/122; D10/109.1**
(58) **Field of Classification Search**
USPC D29/122; D10/109.1; D20/10
CPC A41D 13/01; A41D 27/08; B60Q 7/00;
A01K 13/003; A45F 3/14; B62J 27/00
See application file for complete search history.

(57) **CLAIM**

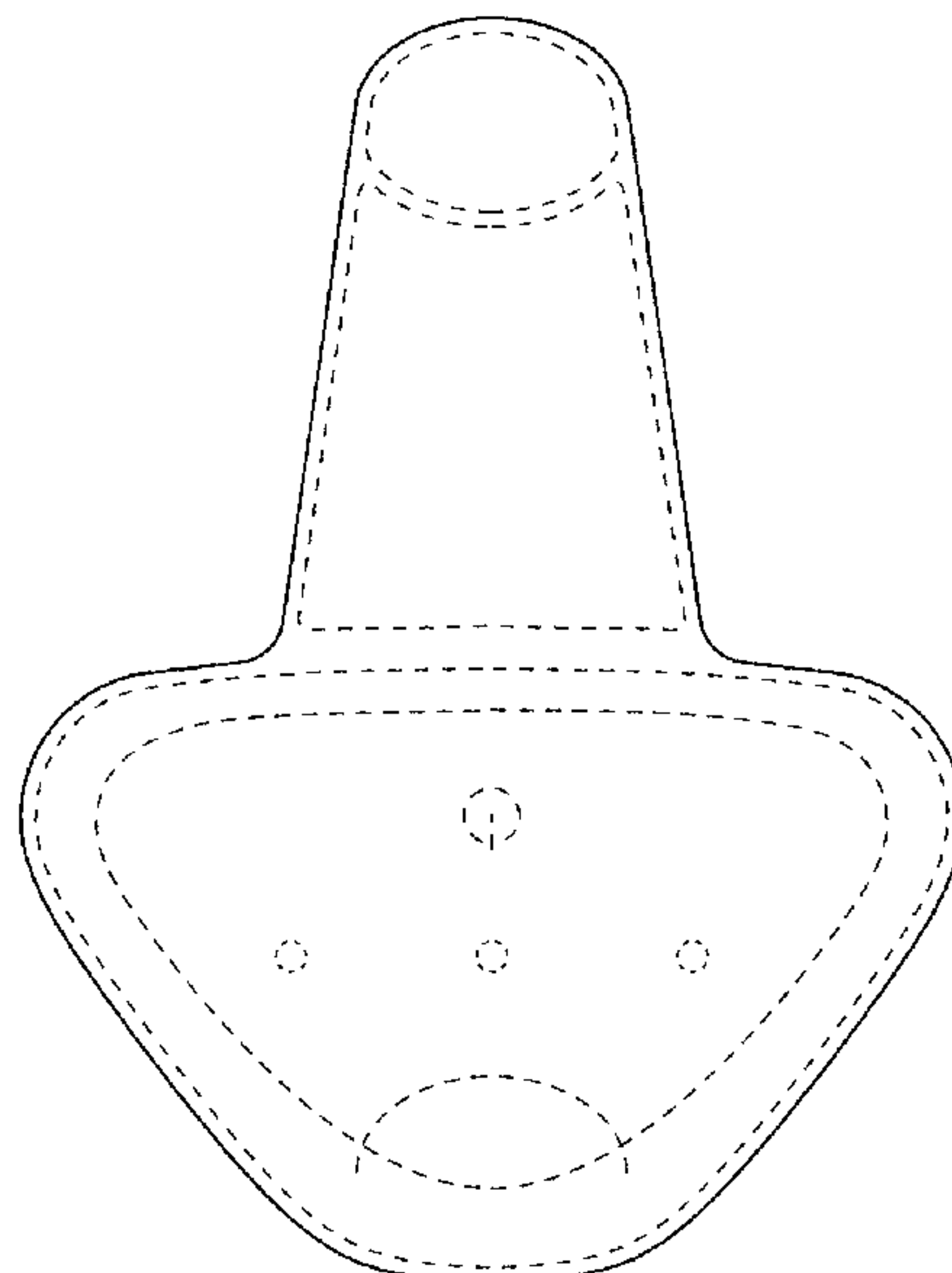
We claim the ornamental design for the reflective strip, as shown and described.

DESCRIPTION

FIGS. 1-7 are views of a first embodiment of a reflective strip, showing our new design.
FIG. 1 is a front view of the reflective strip.
FIG. 2 is a top view of the reflective strip.
FIG. 3 is a left side view of the reflective strip.
FIG. 4 is a right side view of the reflective strip.
FIG. 5 is a bottom view of the reflective strip.
FIG. 6 is a rear view of the reflective strip.
FIG. 7 is a perspective view of the reflective strip, shown in a folded position and attached to a representative pocket illustrated in broken lines.
FIGS. 8-14 illustrate a second embodiment of the reflective strip.
FIG. 8 is a front view of the reflective strip.
FIG. 9 is a top view of the reflective strip.
FIG. 10 is a left side view of the reflective strip.
FIG. 11 is a right side view of the reflective strip.
FIG. 12 is a bottom view of the reflective strip.
FIG. 13 is a rear view of the reflective strip; and,
FIG. 14 is a perspective view of the reflective strip, shown in a folded position and attached to a representative pocket illustrated in broken lines.
The broken lines shown in the drawings show unclaimed subject matter and form no part of the claimed design.

(56) **References Cited**
U.S. PATENT DOCUMENTS
3,363,293 A 1/1968 Nemrod
3,849,804 A 11/1974 Rakow
3,894,790 A 7/1975 Golden
3,901,554 A 8/1975 Kennedy
4,517,685 A * 5/1985 Lesley A41D 13/01
2/170
4,571,025 A 2/1986 Stephen
5,088,439 A 2/1992 Anderson
5,169,702 A 12/1992 Schell
5,193,026 A 3/1993 Purvis
5,285,312 A 2/1994 Mastro
5,358,461 A 10/1994 Bailey
(Continued)

1 Claim, 4 Drawing Sheets



(56)

References Cited

U.S. PATENT DOCUMENTS

D356,675 S 3/1995 Gamm
 D369,237 S 4/1996 Gamm
 D369,568 S 5/1996 Sloom
 5,624,065 A * 4/1997 Steffe A41D 13/01
 2/312
 5,677,790 A 10/1997 Taglieri
 5,768,041 A 6/1998 Rudolph
 5,923,483 A 7/1999 Sloom
 D418,267 S 12/1999 Lin
 6,000,111 A 12/1999 Deskins
 6,086,213 A 7/2000 Holce
 6,106,130 A 8/2000 Harding
 6,170,959 B1 1/2001 Richardson, III
 D442,506 S 5/2001 Allen
 6,224,234 B1 5/2001 Demmery
 6,267,482 B1 * 7/2001 Miller A41D 13/01
 362/103
 6,506,465 B1 1/2003 Sloom
 D469,709 S 2/2003 Sloom
 6,590,145 B2 7/2003 Doiron

6,928,951 B2 * 8/2005 Huang B60Q 7/00
 116/28 R
 6,988,298 B2 1/2006 Ternasky
 D624,247 S 9/2010 Thind
 7,841,741 B2 11/2010 Chan
 D639,345 S * 6/2011 Jedlicka D20/10
 D666,833 S 9/2012 Robinson
 8,408,730 B2 * 4/2013 Hurwitz A01K 13/003
 362/108
 8,425,072 B2 * 4/2013 Hurwitz A41D 27/08
 362/103
 D699,007 S 2/2014 Willows
 D699,399 S 2/2014 Willows
 D699,898 S 2/2014 Willows
 D699,899 S 2/2014 Willows
 8,998,052 B1 * 4/2015 Mitchell A45F 3/14
 224/250
 D745,221 S * 12/2015 Willows D29/122
 D745,223 S * 12/2015 Willows D29/122
 D754,931 S * 4/2016 Willows D29/122
 D754,932 S * 4/2016 Willows D29/122
 9,310,068 B1 * 4/2016 Mason B62J 27/00
 D755,444 S * 5/2016 Willows D29/122

* cited by examiner



Fig. 2

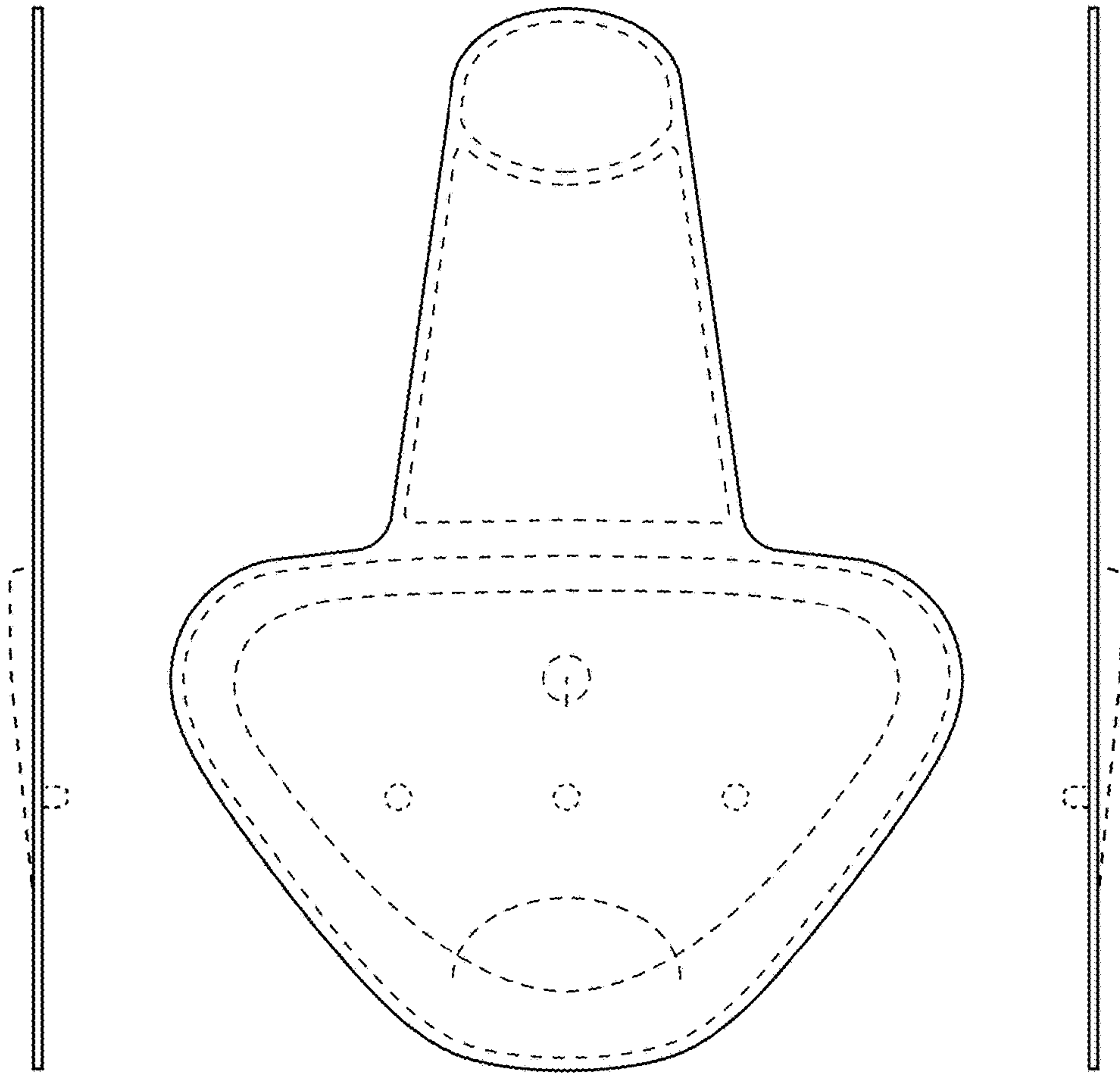


Fig. 3

Fig. 1

Fig. 4

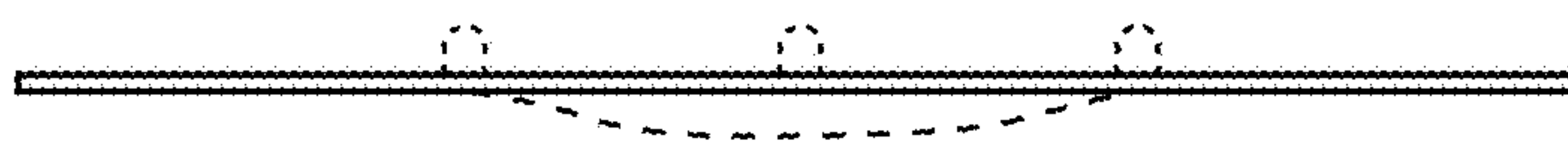


Fig. 5

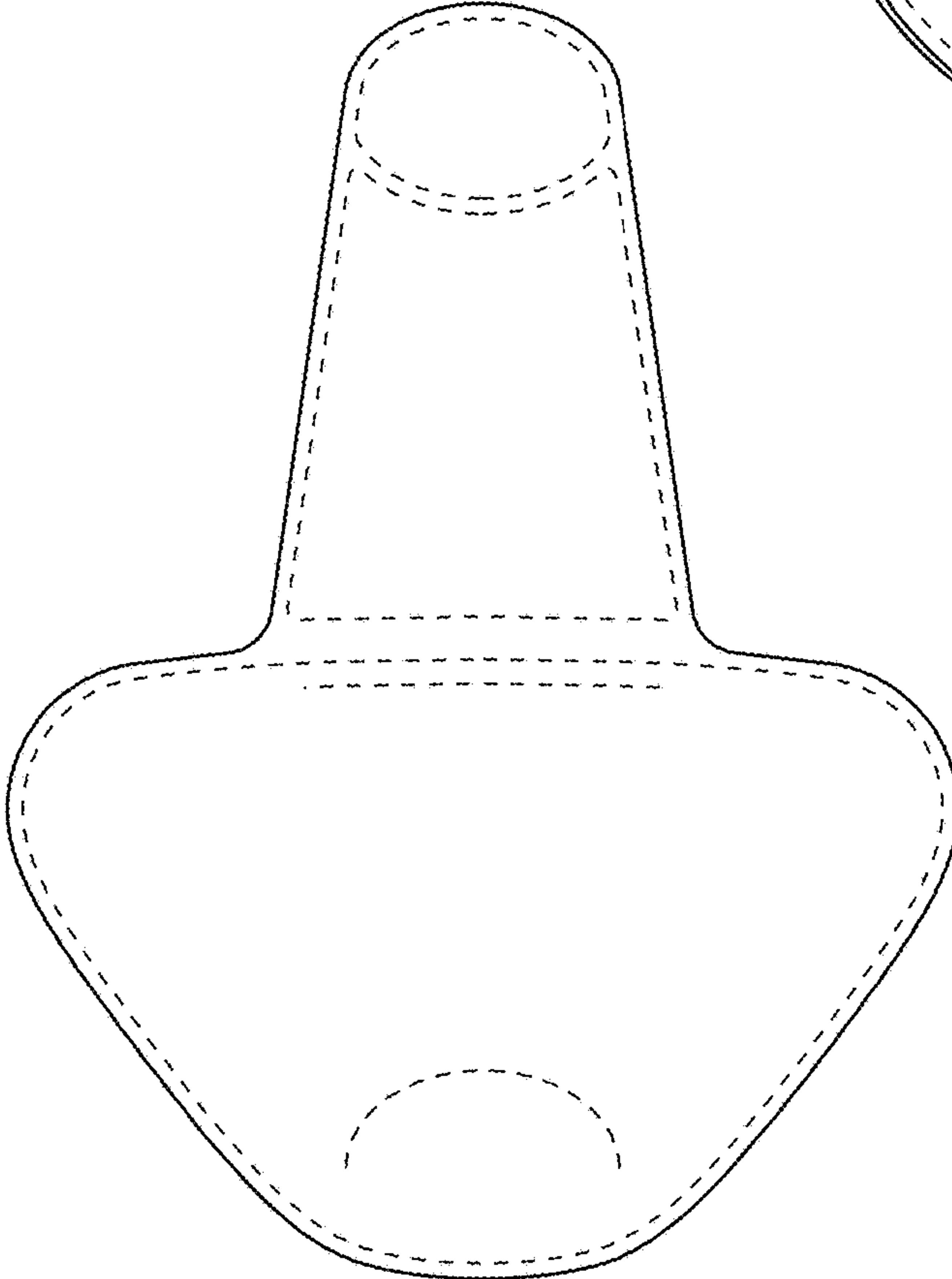


Fig. 6

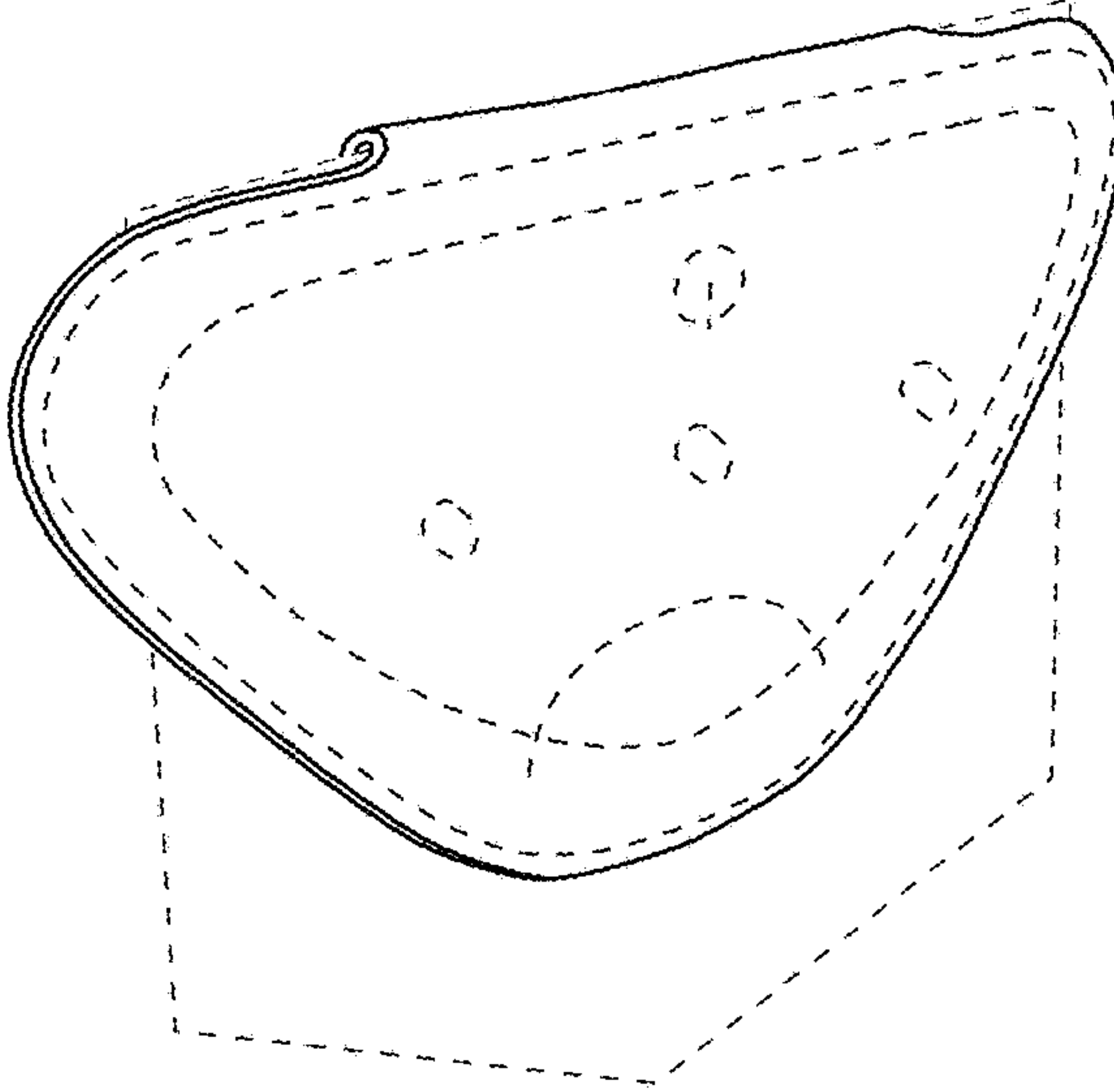


Fig. 7



Fig. 9

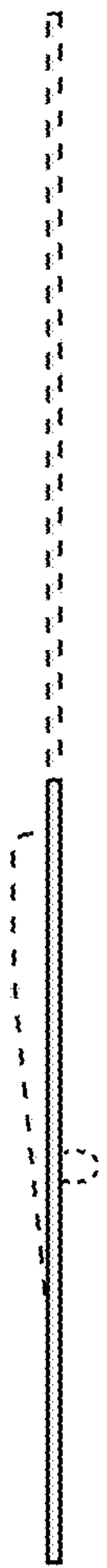


Fig. 10

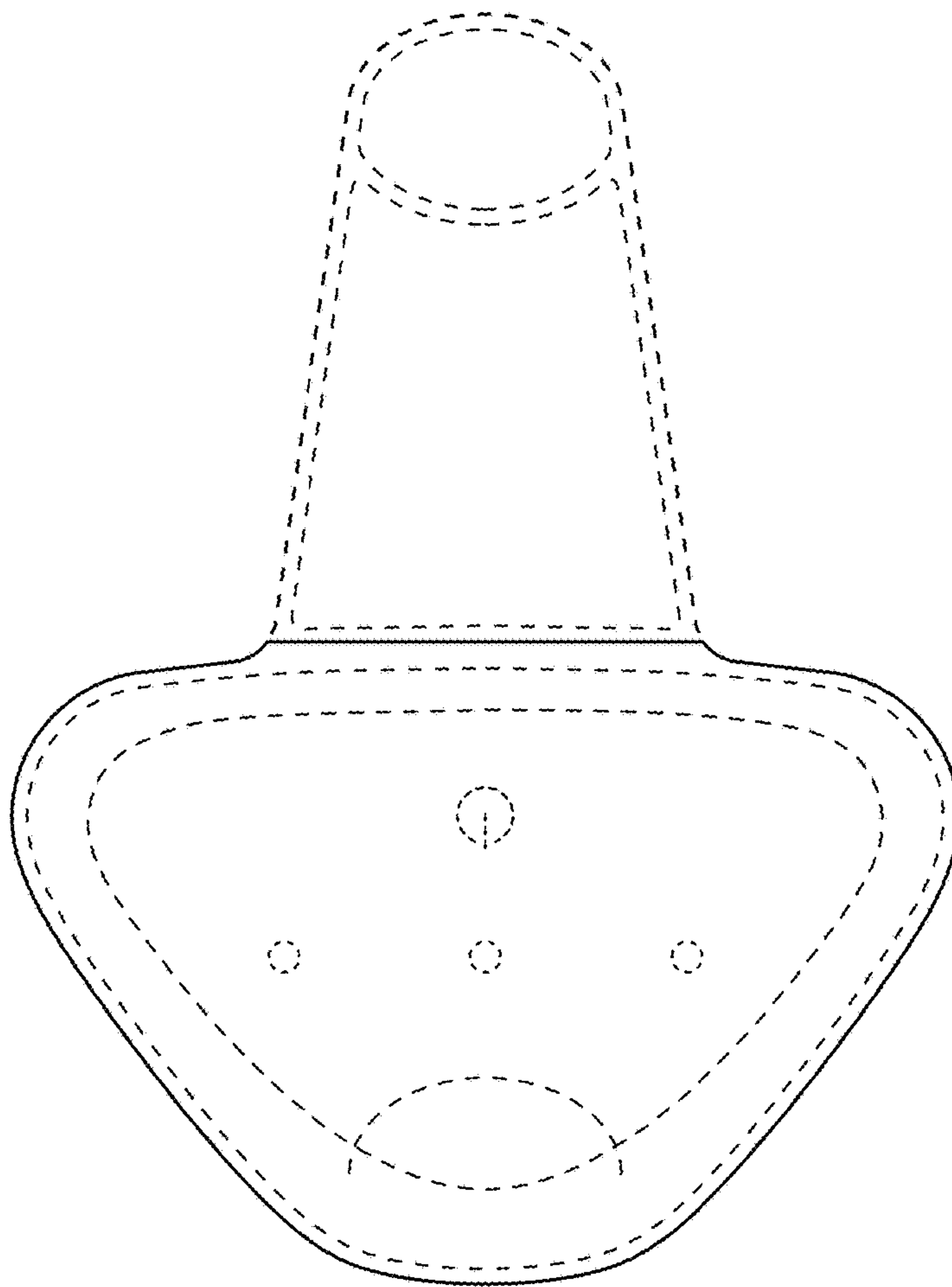


Fig. 8



Fig. 11



Fig. 12

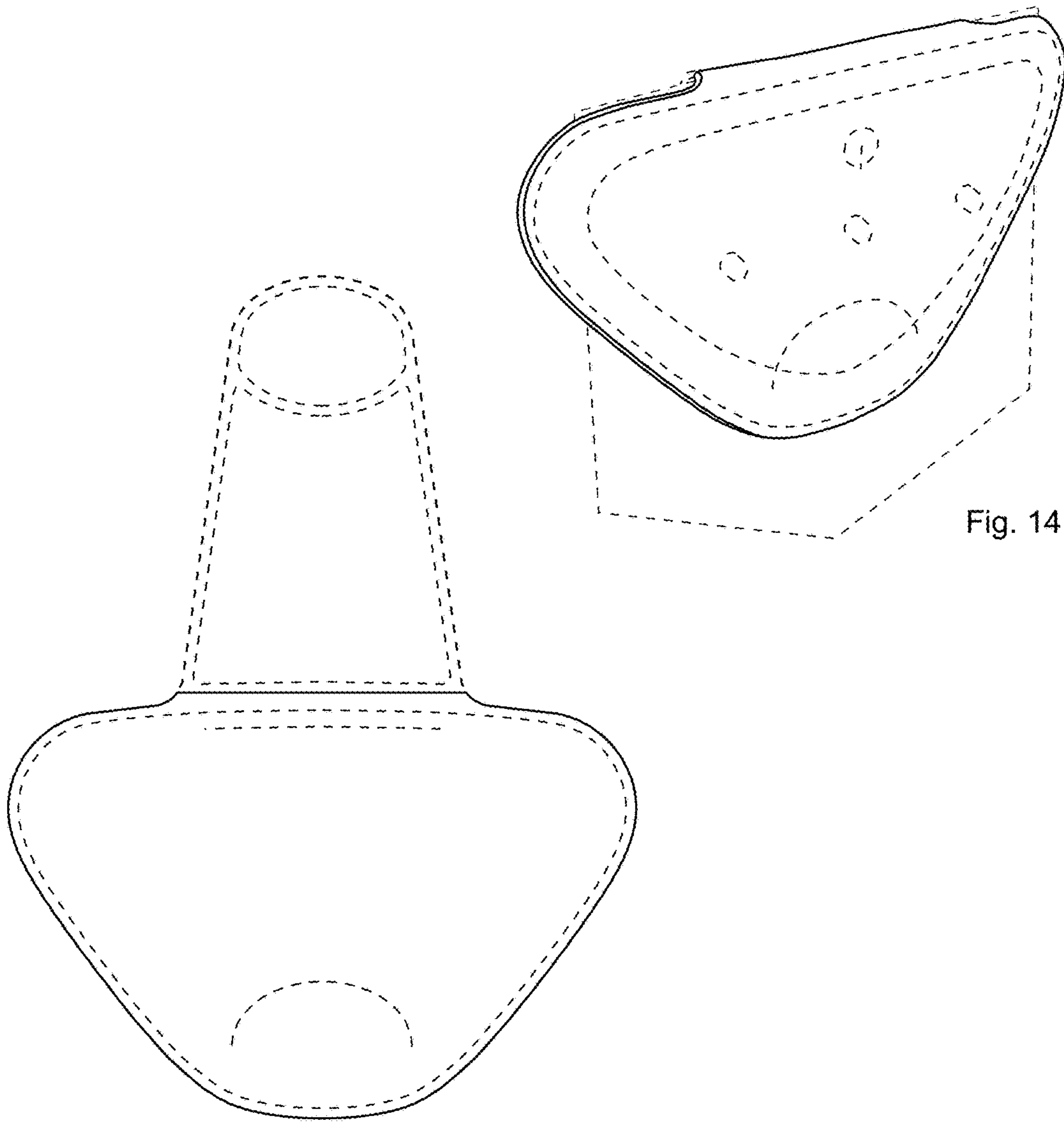


Fig. 13

Fig. 14