



US00D779122S

(12) **United States Design Patent** (10) **Patent No.:** **US D779,122 S**
Dubin et al. (45) **Date of Patent:** **** Feb. 14, 2017**

- (54) **RAZOR HANDLE**
- (71) Applicant: **Dollar Shave Club, Inc.**, Venice, CA (US)
- (72) Inventors: **Michael Dubin**, Venice, CA (US);
Javier Hall, Venice, CA (US)
- (73) Assignee: **Dollar Shave Club, Inc.**, Marina Del Rey, CA (US)
- (**) Term: **15 Years**
- (21) Appl. No.: **29/544,420**
- (22) Filed: **Nov. 3, 2015**
- (51) **LOC (10) Cl.** **28-03**
- (52) **U.S. Cl.**
USPC **D28/48**
- (58) **Field of Classification Search**
USPC D28/46–48
CPC B26B 21/52–21/528; B26B 21/14–21/38;
B26B 21/00; B26B 21/08
See application file for complete search history.

(56) **References Cited**
U.S. PATENT DOCUMENTS

| | | |
|------------|---------|--------------|
| D242,661 S | 12/1976 | Gray |
| D245,460 S | 8/1977 | Poisson |
| D255,160 S | 5/1980 | Gray |
| D255,164 S | 5/1980 | Byrne |
| D255,165 S | 5/1980 | Byrne |
| D256,059 S | 7/1980 | Poisson |
| D257,793 S | 1/1981 | Gray |
| D259,065 S | 4/1981 | Byrne |
| D260,191 S | 8/1981 | Chase et al. |
| D260,944 S | 9/1981 | Gray |
| D261,564 S | 10/1981 | Poisson |
| D262,239 S | 12/1981 | Gray |
| D266,960 S | 11/1982 | Gray et al. |
| D267,438 S | 12/1982 | Jacobson |

| | | |
|------------|---------|-----------------|
| D269,724 S | 7/1983 | Chase et al. |
| D269,915 S | 7/1983 | Iten et al. |
| D270,195 S | 8/1983 | Gray |
| D270,196 S | 8/1983 | Gray et al. |
| D270,197 S | 8/1983 | Gray |
| D270,382 S | 8/1983 | Poisson |
| D270,384 S | 8/1983 | Gray |
| D271,625 S | 11/1983 | Gray |
| D271,813 S | 12/1983 | Gray |
| D277,987 S | 3/1985 | Jacobson et al. |

(Continued)

Primary Examiner — Jennifer Rivard
(74) *Attorney, Agent, or Firm* — DLA Piper LLP

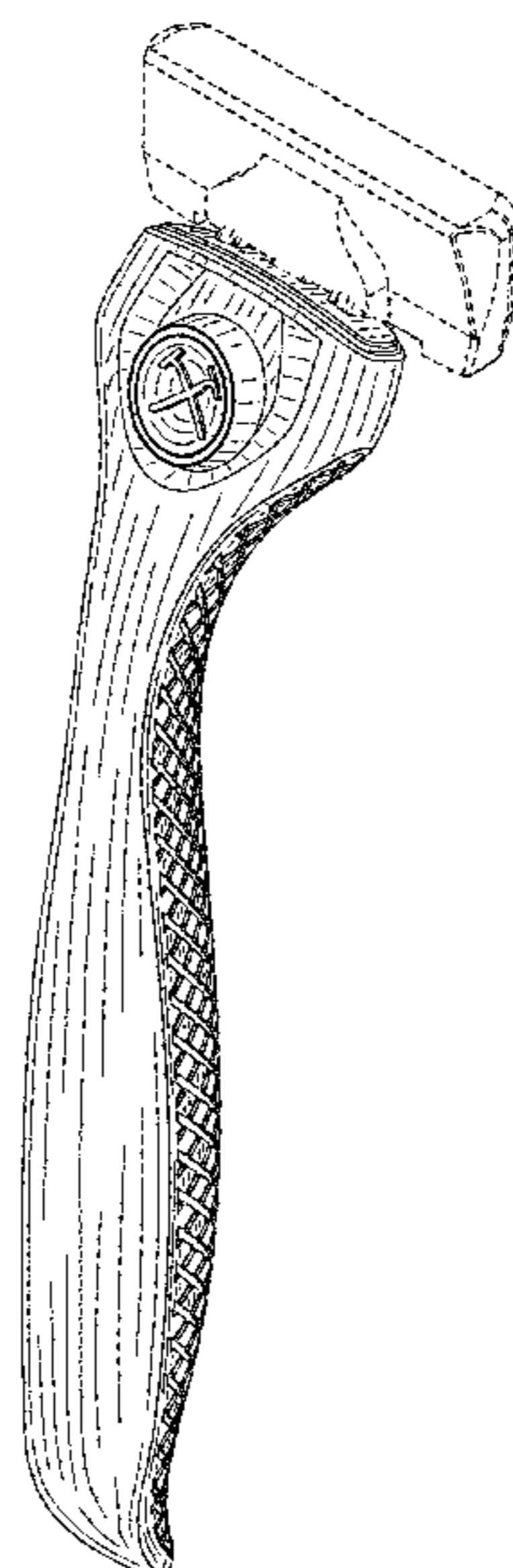
(57) **CLAIM**

We claim the ornamental design for a razor handle thereof, as shown and described.

DESCRIPTION

FIG. 1 is a front perspective of a razor handle, according to an embodiment of our new design;
FIG. 2 is a bottom perspective of a razor handle, according to an embodiment of our new design;
FIG. 3 is a front elevational view of a razor handle, according to an embodiment of our new design;
FIG. 4 is a rear elevational view of a razor handle, according to an embodiment of our new design;
FIG. 5 is a left elevational view of a razor handle, according to an embodiment of our new design;
FIG. 6 is a right elevational view of a razor handle, according to an embodiment of our new design;
FIG. 7 is a top plan view of a razor handle, according to an embodiment of our new design; and,
FIG. 8 is a bottom plan view of a razor handle, according to an embodiment of our new design.
The broken lines showing a razor cartridge in the figures are for illustrative purposes only and form no part of the claimed design.

1 Claim, 8 Drawing Sheets



(56)

References Cited

U.S. PATENT DOCUMENTS

| | | | | | |
|--------------|---------|------------------------|--------------|---------|---------------------|
| D293,036 S | 12/1987 | Iten et al. | D482,131 S | 11/2003 | Fine et al. |
| D305,265 S | 12/1989 | Motta et al. | D483,526 S | 12/2003 | Efthimiadis et al. |
| D305,805 S | 1/1990 | Gray | D491,311 S * | 6/2004 | Follo D28/48 |
| D308,427 S | 6/1990 | Gyllerstrom | D491,690 S | 6/2004 | Yamashita |
| D309,355 S | 7/1990 | Shurtleff | D495,826 S | 9/2004 | Ham et al. |
| D309,958 S | 8/1990 | Iten et al. | D495,828 S | 9/2004 | Ham et al. |
| D321,953 S | 11/1991 | Gray | D499,210 S | 11/2004 | Shepperson et al. |
| D325,653 S | 4/1992 | Tilley et al. | D500,170 S | 12/2004 | Jung |
| D327,139 S | 6/1992 | Tilley et al. | D500,171 S | 12/2004 | Lee |
| D327,550 S | 6/1992 | Chen et al. | D500,173 S | 12/2004 | Wakayama |
| D335,722 S | 5/1993 | Gray | D500,174 S | 12/2004 | Gray |
| D345,232 S | 3/1994 | Gray | D500,390 S | 12/2004 | Gray |
| D345,441 S | 3/1994 | Gray | D500,888 S | 1/2005 | Gray |
| D345,821 S | 4/1994 | Wonderley | D506,035 S | 6/2005 | Dombrowski et al. |
| D354,586 S | 1/1995 | Grange | D509,321 S | 9/2005 | Gray |
| D355,049 S | 1/1995 | Yasui | D510,643 S | 10/2005 | Gray |
| D363,141 S | 10/1995 | Burout et al. | D511,024 S | 10/2005 | Dombrowski et al. |
| D366,728 S | 1/1996 | Ryu | D511,223 S | 11/2005 | Miyazaki et al. |
| D370,305 S | 5/1996 | Wonderley | D513,442 S | 1/2006 | Miyazaki et al. |
| D370,741 S | 6/1996 | Wonderley | D515,740 S | 2/2006 | Provost et al. |
| D377,238 S | 1/1997 | Byrne | D516,244 S | 2/2006 | Efthimiadis et al. |
| D378,623 S | 3/1997 | Wonderley | D524,984 S | 7/2006 | Ramm et al. |
| D380,866 S | 7/1997 | Wonderley | D526,090 S | 8/2006 | Bartschi et al. |
| D386,821 S | 11/1997 | Shurtleff et al. | D533,964 S | 12/2006 | Ham |
| D389,272 S | 1/1998 | Ryu | D534,313 S | 12/2006 | Provost et al. |
| D389,955 S | 1/1998 | Wonderley | D534,314 S | 12/2006 | Lee |
| D392,416 S | 3/1998 | Wonderley | D534,316 S | 12/2006 | Bozikis et al. |
| D392,417 S | 3/1998 | Gray | D534,685 S | 1/2007 | Ciccone et al. |
| D392,418 S | 3/1998 | Gray | D534,686 S | 1/2007 | Provost et al. |
| D393,330 S | 4/1998 | Gray | D534,687 S | 1/2007 | Dombrowski et al. |
| D396,129 S | 7/1998 | Gray | D535,056 S | 1/2007 | Wonderley et al. |
| D397,512 S | 8/1998 | Gray | D536,133 S | 1/2007 | Bozikis et al. |
| D397,829 S | 9/1998 | Gray | D536,485 S | 2/2007 | Wonderley et al. |
| D397,830 S | 9/1998 | Gray | D536,829 S | 2/2007 | Dombrowski et al. |
| D398,718 S | 9/1998 | Gray | D536,830 S | 2/2007 | Ramm et al. |
| D402,403 S | 12/1998 | Motta et al. | D537,203 S | 2/2007 | Provost et al. |
| D403,113 S | 12/1998 | Kohring et al. | D537,204 S | 2/2007 | Ramm et al. |
| D403,114 S | 12/1998 | Shurtleff | D540,985 S | 4/2007 | Rhoad et al. |
| D404,527 S | 1/1999 | Gray | D541,474 S | 4/2007 | Psimadas et al. |
| D406,393 S | 3/1999 | Gray | D541,476 S | 4/2007 | Rhoad et al. |
| D407,850 S | 4/1999 | Shurtleff | D541,477 S | 4/2007 | Rhoad et al. |
| D407,851 S | 4/1999 | Shurtleff | D542,470 S | 5/2007 | Bunnell et al. |
| D408,101 S | 4/1999 | Shurtleff | D542,471 S | 5/2007 | Bunnell et al. |
| D414,298 S | 9/1999 | Pennella et al. | D542,472 S | 5/2007 | Sakurai |
| D414,898 S | 10/1999 | Grange | D547,904 S | 7/2007 | Wonderley et al. |
| D415,316 S | 10/1999 | Prochaska | D550,401 S | 9/2007 | Rhoad et al. |
| D415,317 S | 10/1999 | Aiston | D555,834 S | 11/2007 | Rhoad et al. |
| D416,108 S | 11/1999 | Shurtleff et al. | D555,958 S | 11/2007 | Takeshita |
| D416,109 S | 11/1999 | Wonderley | D558,398 S | 12/2007 | Park |
| D419,265 S | 1/2000 | Gray | D559,455 S * | 1/2008 | Padain D28/48 |
| D422,117 S | 3/2000 | Motta | D560,031 S | 1/2008 | Fischer et al. |
| D425,250 S | 5/2000 | Gray | D560,033 S | 1/2008 | Rhoad et al. |
| D425,251 S | 5/2000 | Gray | D560,851 S | 1/2008 | Rhoad et al. |
| D428,203 S | 7/2000 | Zwonitzer et al. | D563,045 S | 2/2008 | Provost et al. |
| D429,543 S | 8/2000 | Garland et al. | D563,046 S | 2/2008 | Provost et al. |
| D435,144 S | 12/2000 | Chenvainu et al. | D563,047 S | 2/2008 | Ramm et al. |
| D435,315 S | 12/2000 | Coffin et al. | D565,245 S | 3/2008 | Wonderley |
| D435,316 S | 12/2000 | Chenvainu et al. | D566,896 S | 4/2008 | Jung |
| D438,342 S | 2/2001 | Gray | D566,897 S | 4/2008 | Lee |
| D439,015 S | 3/2001 | Wonderley | D568,000 S | 4/2008 | Wonderley et al. |
| D441,910 S | 5/2001 | Prochaska | D568,535 S | 5/2008 | Rhoad et al. |
| D444,267 S | 6/2001 | Gray | D568,536 S | 5/2008 | Rhoad et al. |
| D445,958 S | 7/2001 | Dansreau et al. | D568,538 S | 5/2008 | Rhoad et al. |
| D446,884 S | 8/2001 | Kohring et al. | D569,038 S | 5/2008 | Rhoad |
| D452,348 S | 12/2001 | Wonderley | D569,039 S | 5/2008 | Rhoad |
| D457,684 S | 5/2002 | Wonderley | D569,040 S | 5/2008 | Micinilio et al. |
| D458,410 S | 6/2002 | Shepperson | D569,551 S | 5/2008 | Micinilio et al. |
| D458,709 S | 6/2002 | Wonderley | D571,955 S | 6/2008 | Wonderley et al. |
| D464,172 S | 10/2002 | Shepperson | D575,903 S | 8/2008 | Wakayama |
| D466,649 S | 12/2002 | Wonderley et al. | D581,593 S | 11/2008 | Rhoad |
| D467,388 S | 12/2002 | Prochaska et al. | D581,594 S | 11/2008 | Micinilio et al. |
| D475,484 S | 6/2003 | Wonderley | D581,595 S | 11/2008 | Micinilio et al. |
| D476,113 S | 6/2003 | Wonderley | D587,403 S | 2/2009 | Wonderley |
| D476,772 S * | 7/2003 | Wonderley D28/48 | D587,846 S | 3/2009 | Wonderley et al. |
| D478,687 S | 8/2003 | Provost | D587,847 S | 3/2009 | Sakurai |
| | | | D588,308 S | 3/2009 | Wonderley |
| | | | D589,209 S | 3/2009 | Jung |
| | | | D589,210 S | 3/2009 | Wonderley et al. |
| | | | D590,996 S | 4/2009 | Nakasuka |

(56)

References Cited

U.S. PATENT DOCUMENTS

| | | | | | |
|--------------|---------|-----------------------|--------------|---------|-------------------------|
| D593,711 S | 6/2009 | Yamamoto | D650,528 S | 12/2011 | Andersen et al. |
| D598,606 S | 8/2009 | Watson | D650,943 S | 12/2011 | Micinilio |
| D598,999 S | 8/2009 | Hidalgo | D650,946 S | 12/2011 | Andersen et al. |
| D599,955 S | 9/2009 | Provost | D651,345 S | 12/2011 | Micinilio |
| D602,634 S | 10/2009 | Cataudella et al. | D655,042 S | 2/2012 | Watson et al. |
| D602,635 S | 10/2009 | Watson | D655,861 S | 3/2012 | Watson |
| D603,097 S | 10/2009 | Cataudella | D656,676 S | 3/2012 | Cavazos Jimenez et al. |
| D603,098 S | 10/2009 | Cataudella | D656,677 S | 3/2012 | Cavazos Jimenez et al. |
| D603,556 S | 11/2009 | Rhoad | D657,092 S | 4/2012 | Watson et al. |
| D603,557 S | 11/2009 | Rhoad | D659,285 S | 5/2012 | Lukan et al. |
| D603,558 S | 11/2009 | Micinilio | D659,286 S | 5/2012 | Lukan et al. |
| D603,559 S | 11/2009 | Micinilio | D659,287 S | 5/2012 | Psimadas et al. |
| D603,560 S | 11/2009 | Micinilio | D661,020 S | 5/2012 | Wain et al. |
| D604,012 S | 11/2009 | Jung | D661,425 S | 6/2012 | Cataudella et al. |
| D604,456 S | 11/2009 | Jung | D661,427 S | 6/2012 | Christie et al. |
| D604,906 S | 11/2009 | Stowers et al. | D662,663 S * | 6/2012 | Haba D28/48 |
| D605,815 S | 12/2009 | Furuta | D662,664 S | 6/2012 | Hasegawa |
| D607,150 S | 12/2009 | Furuta | D662,665 S | 6/2012 | Christie |
| D611,654 S | 3/2010 | Nakasuka | D662,666 S | 6/2012 | Christie et al. |
| D612,102 S | 3/2010 | Kling et al. | D663,071 S | 7/2012 | Watson |
| D612,991 S | 3/2010 | Cataudella | D663,480 S | 7/2012 | Watson et al. |
| D614,352 S | 4/2010 | Haba | D663,481 S | 7/2012 | Christie et al. |
| D614,353 S | 4/2010 | Christie et al. | D664,712 S | 7/2012 | Christie et al. |
| D614,354 S | 4/2010 | Christie et al. | D664,713 S | 7/2012 | Christie et al. |
| D614,809 S | 4/2010 | Bae | D664,714 S | 7/2012 | Christie et al. |
| D614,810 S | 4/2010 | Rhoad | D664,715 S | 7/2012 | Wain et al. |
| D614,811 S | 4/2010 | Rhoad | D665,129 S | 8/2012 | Wilby |
| D615,245 S | 5/2010 | Lukan | D668,816 S | 10/2012 | Psimadas et al. |
| D615,246 S | 5/2010 | Rhoad | D668,817 S | 10/2012 | Psimadas et al. |
| D615,247 S | 5/2010 | Lukan | D669,219 S | 10/2012 | Otsuka |
| D615,248 S | 5/2010 | Rhoad | D669,220 S | 10/2012 | Otsuka |
| D615,704 S | 5/2010 | Wonderley et al. | D669,221 S | 10/2012 | Otsuka |
| D615,705 S | 5/2010 | Ramm | D670,028 S | 10/2012 | Watson et al. |
| D615,706 S | 5/2010 | Lukan | D670,029 S | 10/2012 | Hasegawa |
| D615,707 S | 5/2010 | Lukan | D671,684 S | 11/2012 | Wilby et al. |
| D615,708 S * | 5/2010 | Lukan D28/48 | D673,730 S | 1/2013 | Watson et al. |
| D616,607 S | 5/2010 | Ramm et al. | D674,137 S | 1/2013 | Wilby et al. |
| D617,950 S | 6/2010 | Christie et al. | D674,138 S | 1/2013 | Watson et al. |
| D618,851 S | 6/2010 | Christie et al. | D674,139 S | 1/2013 | Watson et al. |
| D618,852 S | 6/2010 | Christie et al. | D674,140 S | 1/2013 | Watson et al. |
| D618,853 S | 6/2010 | Christie et al. | D674,141 S | 1/2013 | Watson et al. |
| D619,302 S | 7/2010 | Ramm | D674,142 S | 1/2013 | Watson et al. |
| D619,764 S | 7/2010 | Rhoad | D674,545 S | 1/2013 | Barrow et al. |
| D619,765 S | 7/2010 | Rhoad | D674,546 S | 1/2013 | Barrow et al. |
| D620,197 S | 7/2010 | Micinilio | D674,547 S * | 1/2013 | Barrow D28/46 |
| D621,095 S | 8/2010 | Cataudella | D674,548 S | 1/2013 | Barrow et al. |
| D622,905 S | 8/2010 | Wain | D674,549 S | 1/2013 | Barrow et al. |
| D624,243 S | 9/2010 | Rhoad | D674,551 S | 1/2013 | Barrow et al. |
| D624,699 S | 9/2010 | Micinilio | D674,552 S * | 1/2013 | Barrow D28/48 |
| D624,700 S | 9/2010 | Jung | D674,553 S | 1/2013 | Barrow et al. |
| D624,701 S | 9/2010 | Jung | D679,054 S | 3/2013 | Christie et al. |
| D625,468 S | 10/2010 | Rhoad | D686,368 S | 7/2013 | Christie et al. |
| D625,882 S | 10/2010 | Wonderley et al. | D694,469 S | 11/2013 | Floyd et al. |
| D627,929 S * | 11/2010 | Haba D28/46 | D694,470 S | 11/2013 | Floyd et al. |
| D632,433 S | 2/2011 | Nakasuka | D694,471 S | 11/2013 | Floyd et al. |
| D633,252 S | 2/2011 | Wonderley | D695,457 S | 12/2013 | Watson |
| D634,894 S | 3/2011 | Cataudella | D695,458 S | 12/2013 | Ramm |
| D635,302 S | 3/2011 | Psimadas et al. | D699,000 S | 2/2014 | Bae |
| D635,716 S | 4/2011 | Rhoad | D699,394 S | 2/2014 | Woon |
| D635,718 S | 4/2011 | White, Jr. et al. | D699,395 S | 2/2014 | Bae |
| D636,533 S * | 4/2011 | Andersen D28/48 | D699,396 S | 2/2014 | Hasegawa |
| D636,937 S | 4/2011 | Furuta | D703,377 S | 4/2014 | Christie et al. |
| D636,938 S | 4/2011 | White, Jr. et al. | D704,887 S | 5/2014 | Wilby et al. |
| D638,580 S | 5/2011 | Adams et al. | D708,786 S | 7/2014 | Micinilio |
| D640,004 S | 6/2011 | Wonderley et al. | D714,492 S | 9/2014 | Cataudella et al. |
| D640,414 S | 6/2011 | Wonderley et al. | D724,269 S | 3/2015 | Szczepanowski et al. |
| D640,416 S | 6/2011 | Watson | D724,270 S | 3/2015 | Sims et al. |
| D640,830 S | 6/2011 | Watson et al. | D725,824 S | 3/2015 | Sims et al. |
| D640,831 S | 6/2011 | Watson | D728,857 S | 5/2015 | Nish |
| D641,104 S | 7/2011 | Watson et al. | D729,452 S | 5/2015 | Griffin et al. |
| D644,789 S | 9/2011 | Lukan et al. | D729,453 S | 5/2015 | Provost et al. |
| D644,790 S | 9/2011 | Lukan et al. | D729,454 S | 5/2015 | Provost et al. |
| D645,205 S | 9/2011 | Lukan et al. | D729,545 S | 5/2015 | Blumenthal |
| D646,436 S | 10/2011 | Furuta | D730,577 S | 5/2015 | Mahony et al. |
| D650,527 S | 12/2011 | Andersen et al. | D730,579 S | 5/2015 | Han |
| | | | D731,119 S | 6/2015 | Daniel et al. |
| | | | D731,120 S | 6/2015 | Otsuka |
| | | | D731,709 S | 6/2015 | Provost et al. |
| | | | D736,466 S * | 8/2015 | Cataudella D28/48 |

(56)

References Cited

U.S. PATENT DOCUMENTS

| | | | |
|-------------------|---------|-------------------|-----------------------|
| D738,041 S | 9/2015 | Ochiai | |
| D739,604 S | 9/2015 | Christie et al. | |
| D739,605 S | 9/2015 | Christie et al. | |
| D739,980 S | 9/2015 | Psimadas et al. | |
| D745,215 S | 12/2015 | Go | |
| D749,264 S | 2/2016 | Leatherman et al. | |
| D749,266 S | 2/2016 | Go | |
| D749,267 S | 2/2016 | Leatherman | |
| D749,784 S | 2/2016 | Go | |
| D750,324 S | 2/2016 | Bae | |
| 2006/0218804 A1 * | 10/2006 | Noble | B26B 21/526 30/440 |
| 2006/0260131 A1 * | 11/2006 | Follo | B26B 21/225 30/50 |
| 2013/0081291 A1 * | 4/2013 | Wain | B26B 21/225 30/531 |

* cited by examiner

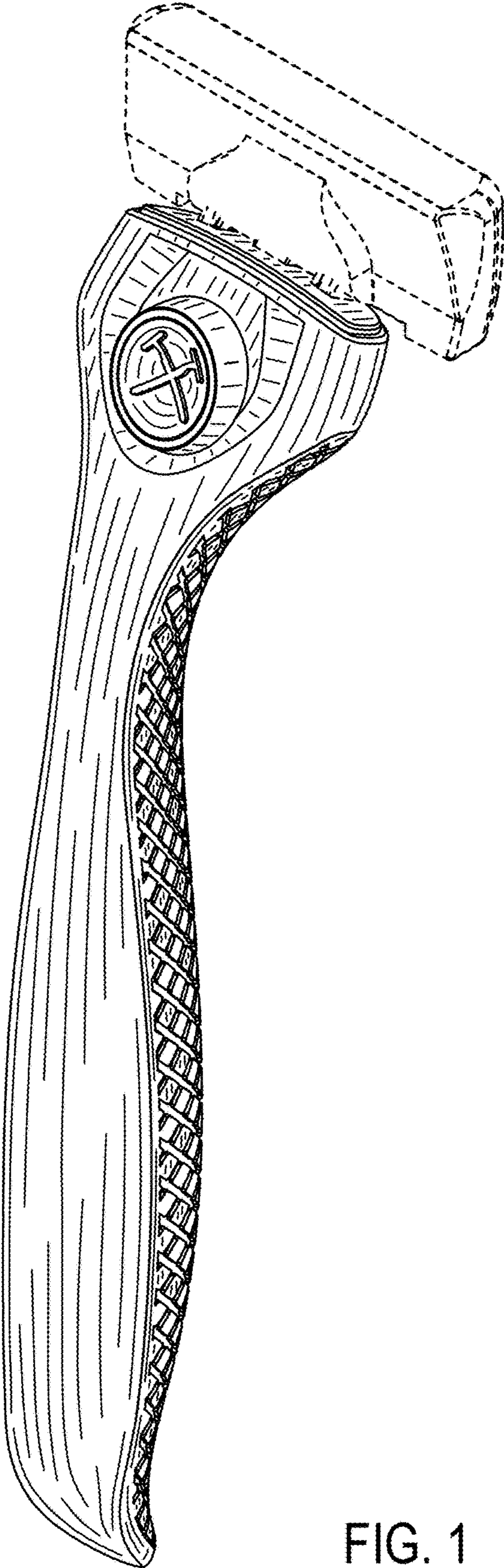


FIG. 1

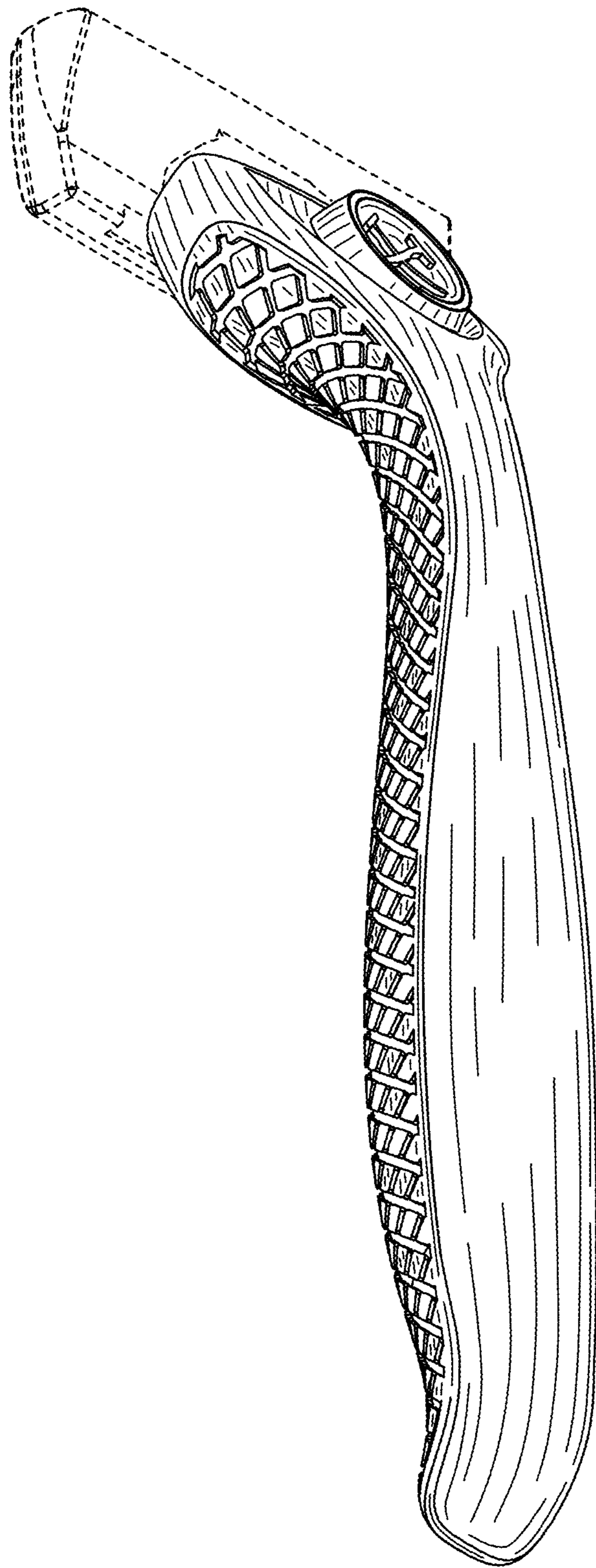


FIG. 2

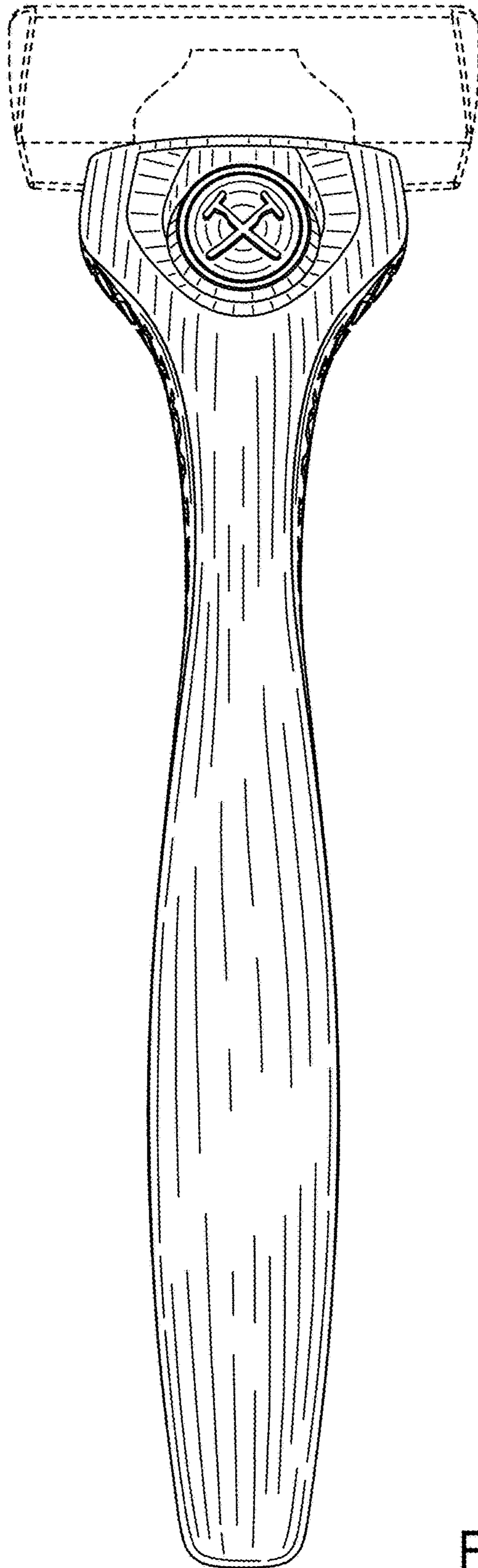


FIG. 3

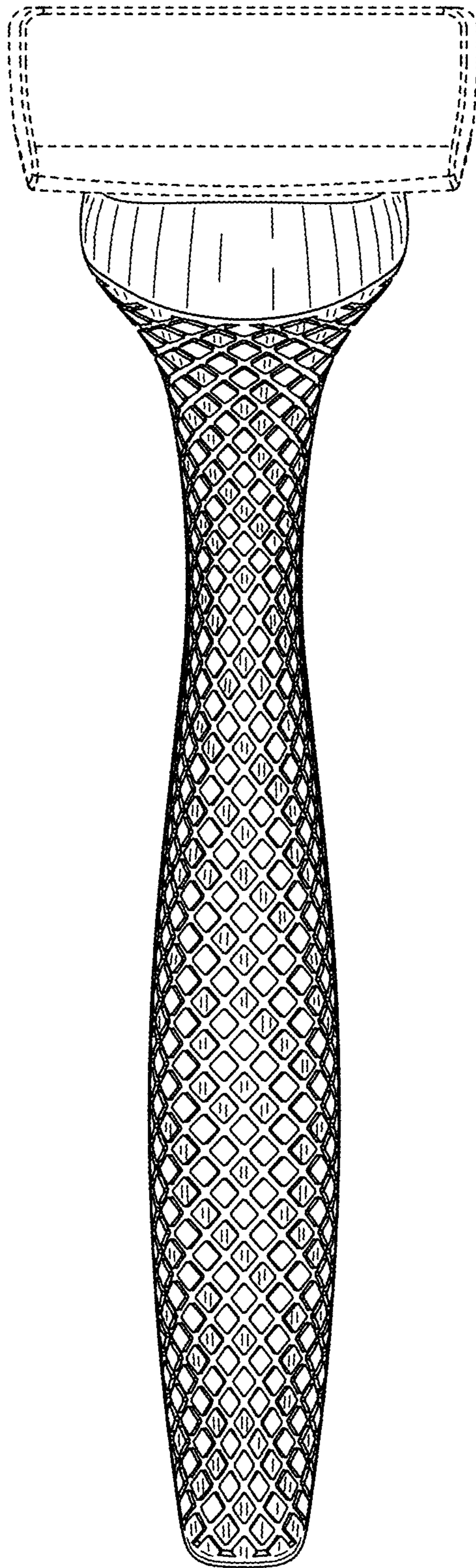


FIG. 4

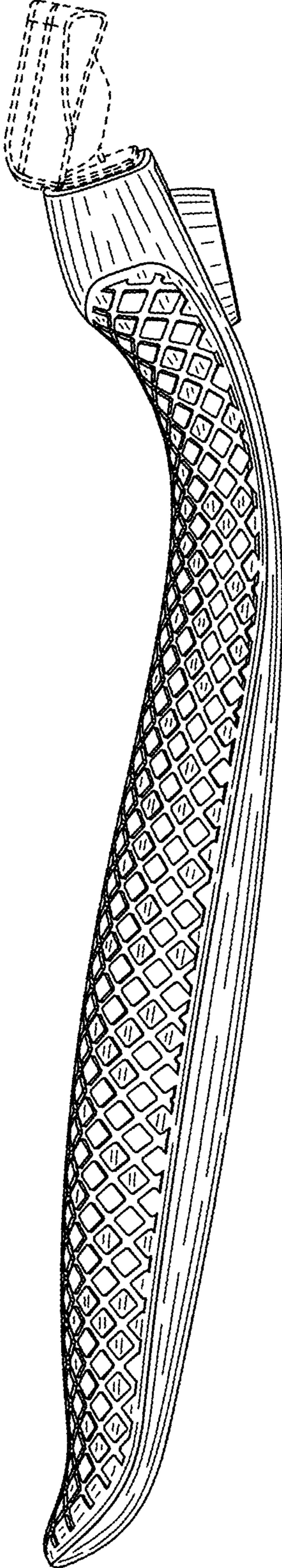


FIG. 5

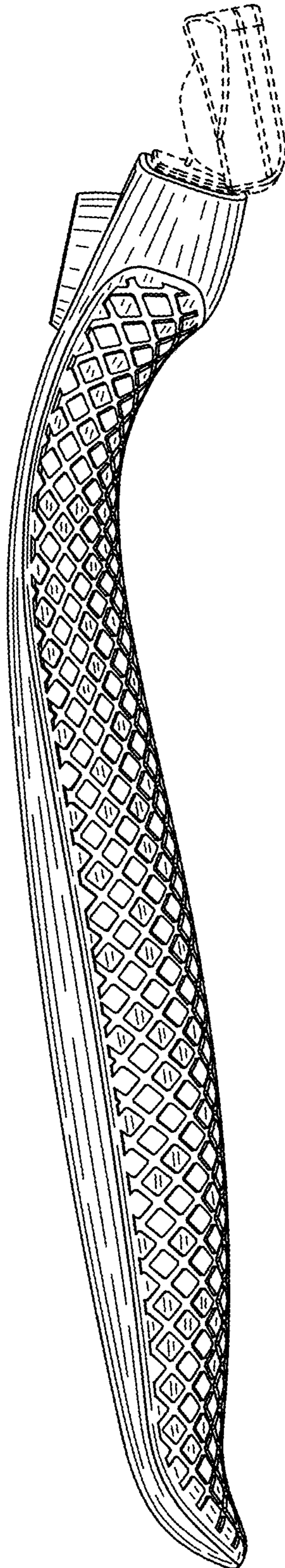


FIG. 6

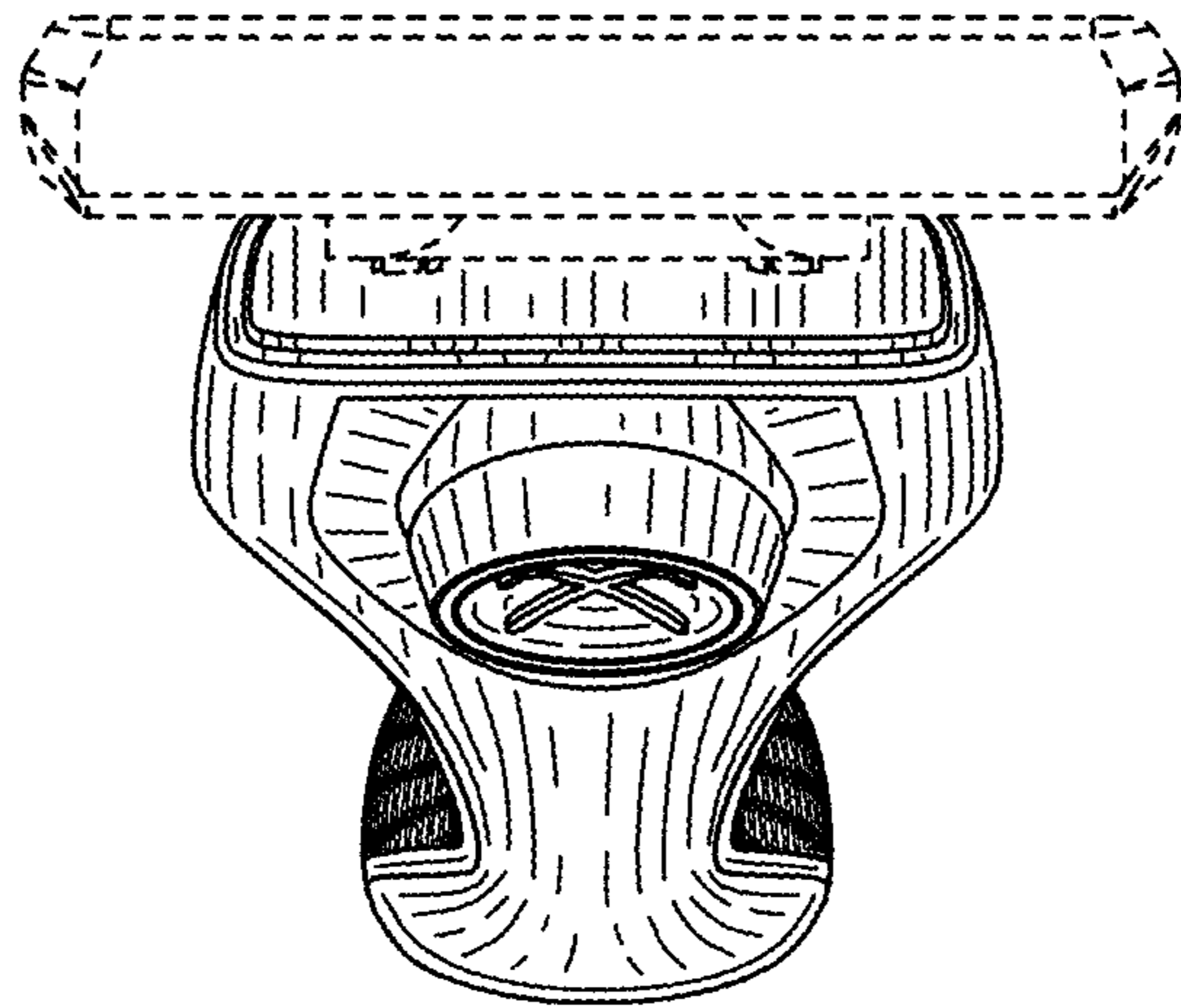


FIG. 7

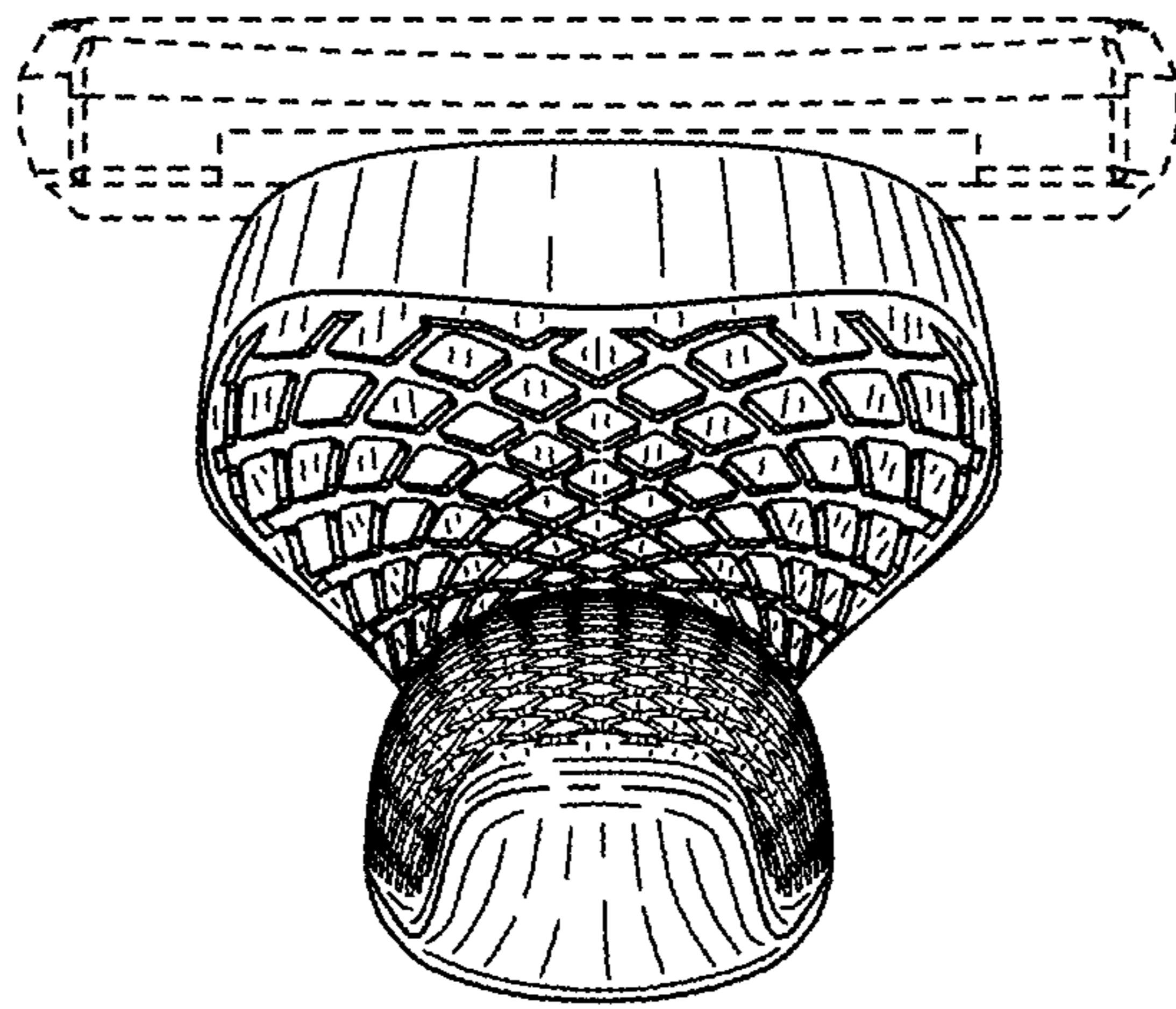


FIG. 8