



US00D779121S

(12) **United States Design Patent** (10) **Patent No.:** **US D779,121 S**
Bruno et al. (45) **Date of Patent:** **** *Feb. 14, 2017**

(54) **RAZOR CARTRIDGE**

- (71) Applicant: **The Gillette Company**, Boston, MA (US)
- (72) Inventors: **Michael Hal Bruno**, Burlington, MA (US); **Matthew Michael Long**, Methuen, MA (US); **Christopher Ramm**, North Attleboro, MA (US); **Alexander Stephen Forti**, Dedham, MA (US); **Jessy Lee Cusack**, Newton, MA (US); **Neil Lettenberger**, Boston, MA (US); **Shrikant Prasad Pattnaik**, Quincy, MA (US)
- (73) Assignee: **The Gillette Company**, Boston, MA (US)
- (*) Notice: This patent is subject to a terminal disclaimer.
- (**) Term: **14 Years**
- (21) Appl. No.: **29/525,155**
- (22) Filed: **Apr. 27, 2015**
- (51) **LOC (10) Cl.** **28-03**
- (52) **U.S. Cl.**
USPC **D28/47**
- (58) **Field of Classification Search**
USPC D28/46-48
CPC B62B 21/00-21/12; B62B 21/14; B62B 21/165; B62B 21/18; B62B 21/24; B62B 21/30; B62B 21/32; B62B 21/40; B62B 21/4062; B62B 21/4068; B62B 21/4075; B62B 21/52-21/528; B26B 21/16; B26B 21/185; B26B 21/20-21/227; B26B 21/28; B26B 21/4012-21/4025; B26B 21/4081-21/4093; B26B 21/443
See application file for complete search history.

(56) **References Cited**

U.S. PATENT DOCUMENTS

- 8,286,354 B2 * 10/2012 Walker, Jr. B26B 21/225 30/32
- 8,448,338 B2 * 5/2013 Sherman B26B 21/4018 30/34.05
- 8,448,339 B2 * 5/2013 Walker, Jr. B26B 21/4031 30/47
- 8,726,518 B2 * 5/2014 Bruno B26B 21/222 30/34.2
- D737,511 S * 8/2015 Lettenberger D28/47
- D737,513 S * 8/2015 Lettenberger D28/47

(Continued)

OTHER PUBLICATIONS

Google image search blue razor cartridge, 1 page, downloaded May 16, 2016, Date restricted before Apr. 26, 2015.*

Primary Examiner — Jennifer Rivard

(74) *Attorney, Agent, or Firm* — Joanne N. Pappas; Kevin C. Johnson; Steven W. Miller

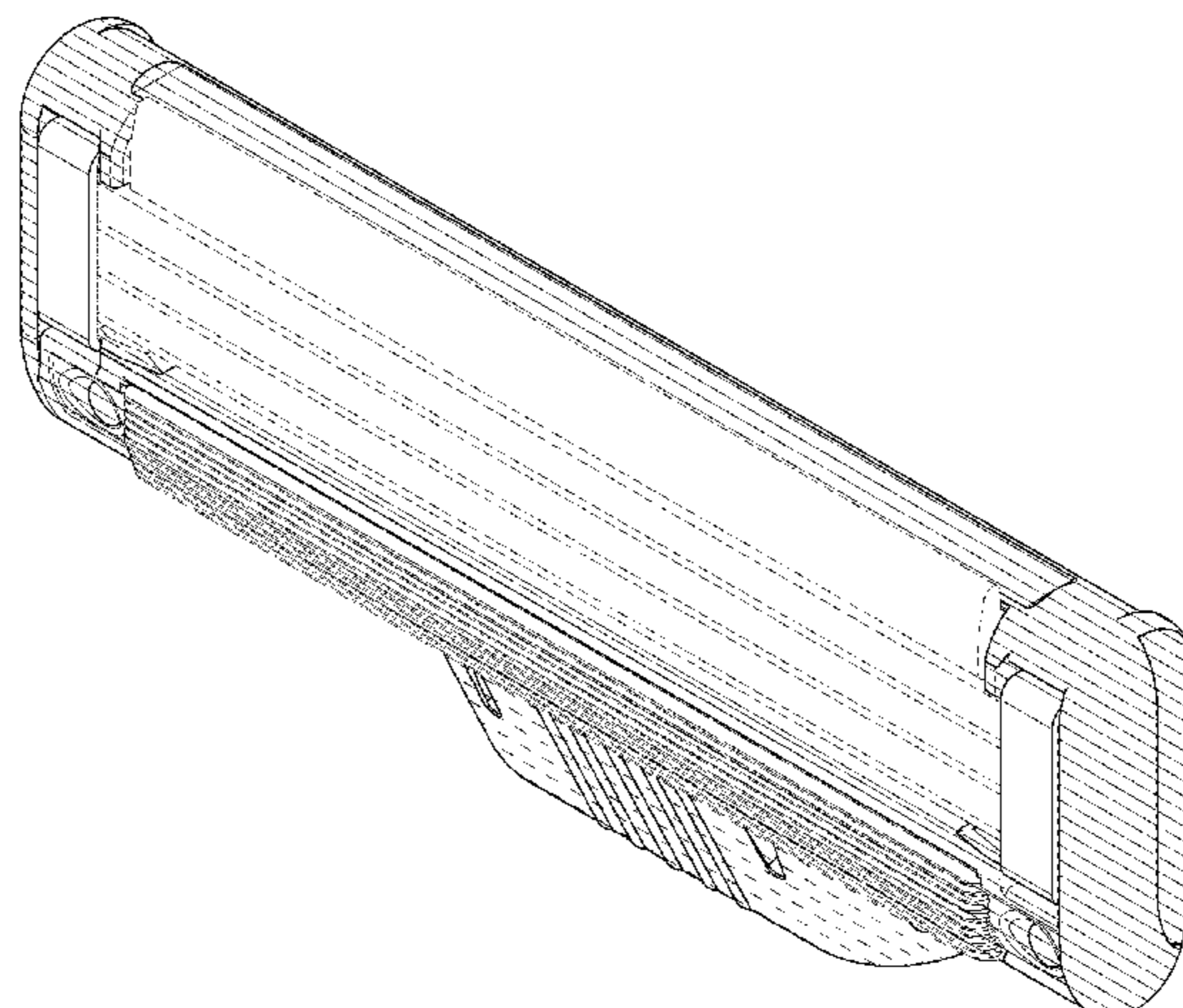
(57) **CLAIM**

The ornamental design for a razor cartridge, as shown and described.

DESCRIPTION

FIG. 1 is a perspective view of a design for a razor cartridge of the present invention;
 FIG. 2 is a front view thereof;
 FIG. 3 is a back view thereof;
 FIG. 4 is a top view thereof;
 FIG. 5 is a bottom view thereof;
 FIG. 6 is a left side view thereof;
 FIG. 7 is a right side view thereof; and,
 FIG. 8 is another perspective view thereof.
 The razor cartridge is lined for the color blue and the interconnect member is lined for the color grey.

(Continued)



The broken lines illustrate portions of the razor cartridge and form no part of the claimed design.

1 Claim, 6 Drawing Sheets

(56)

References Cited

U.S. PATENT DOCUMENTS

D741,008 S *	10/2015	Bruno	D28/47
D741,009 S *	10/2015	Bruno	D28/47
D741,011 S *	10/2015	Forti	D28/47
D741,013 S *	10/2015	Witkus	D28/47
D741,546 S *	10/2015	Witkus	D28/47
9,308,657 B2 *	4/2016	Bruno	B26B 21/222

* cited by examiner

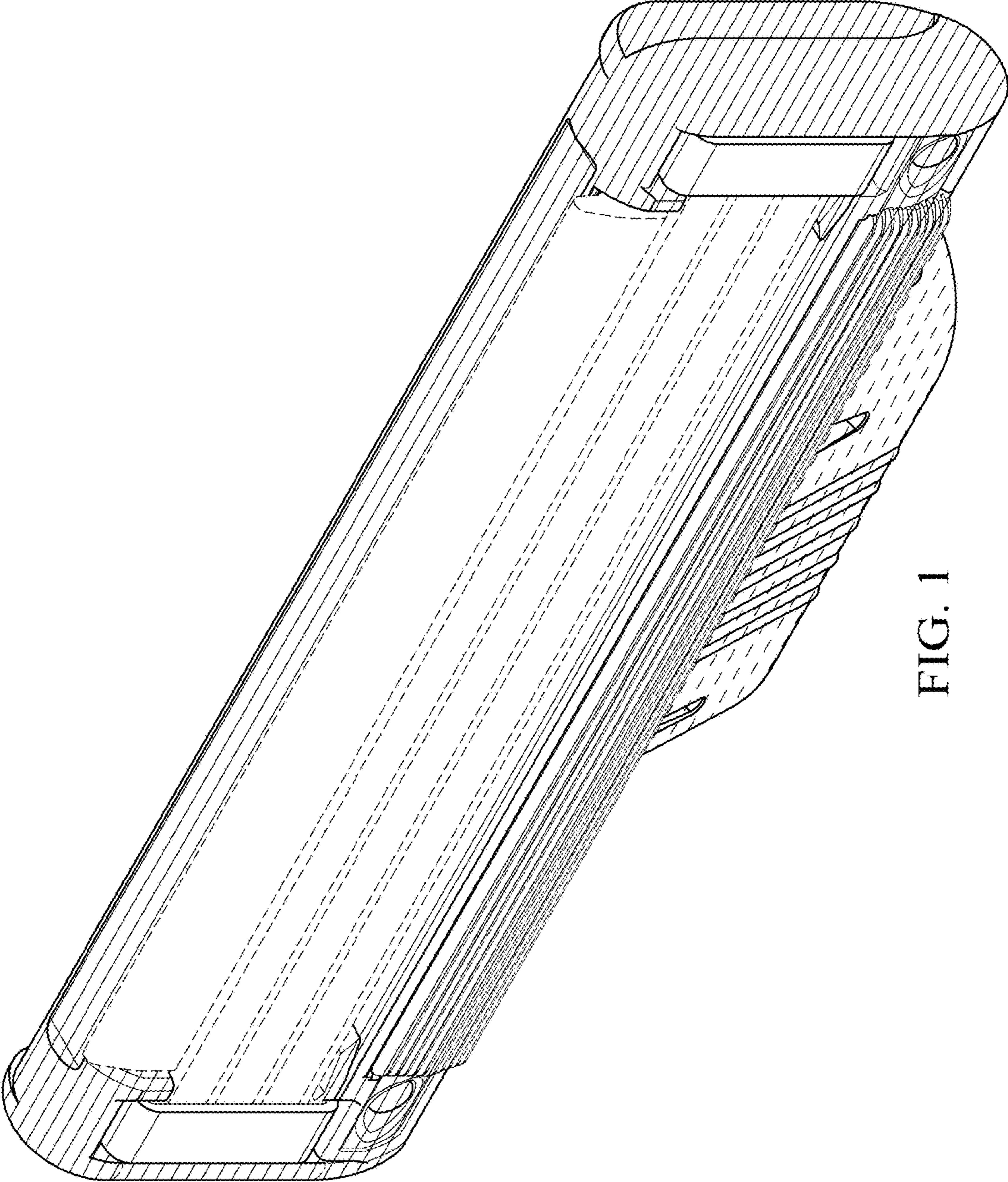


FIG. 1

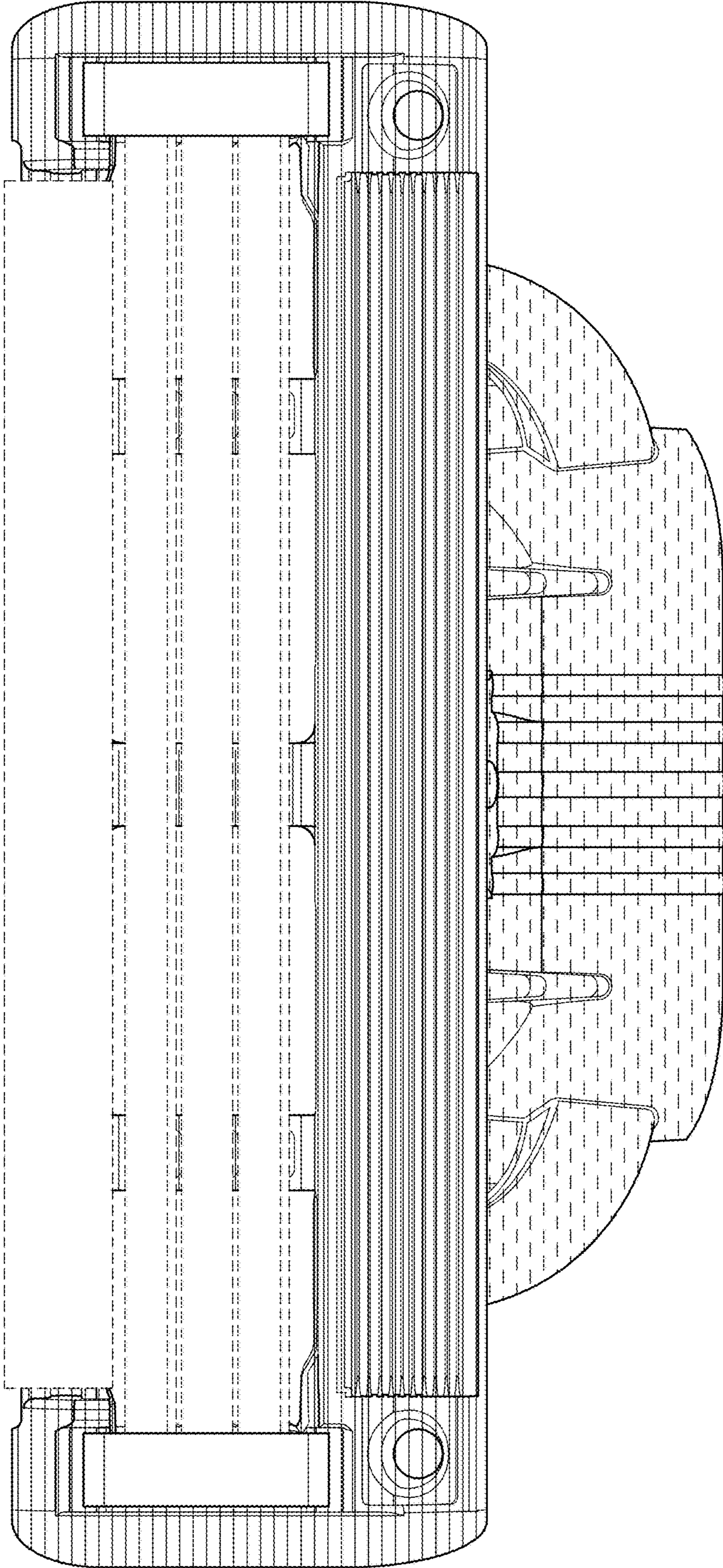


FIG. 2

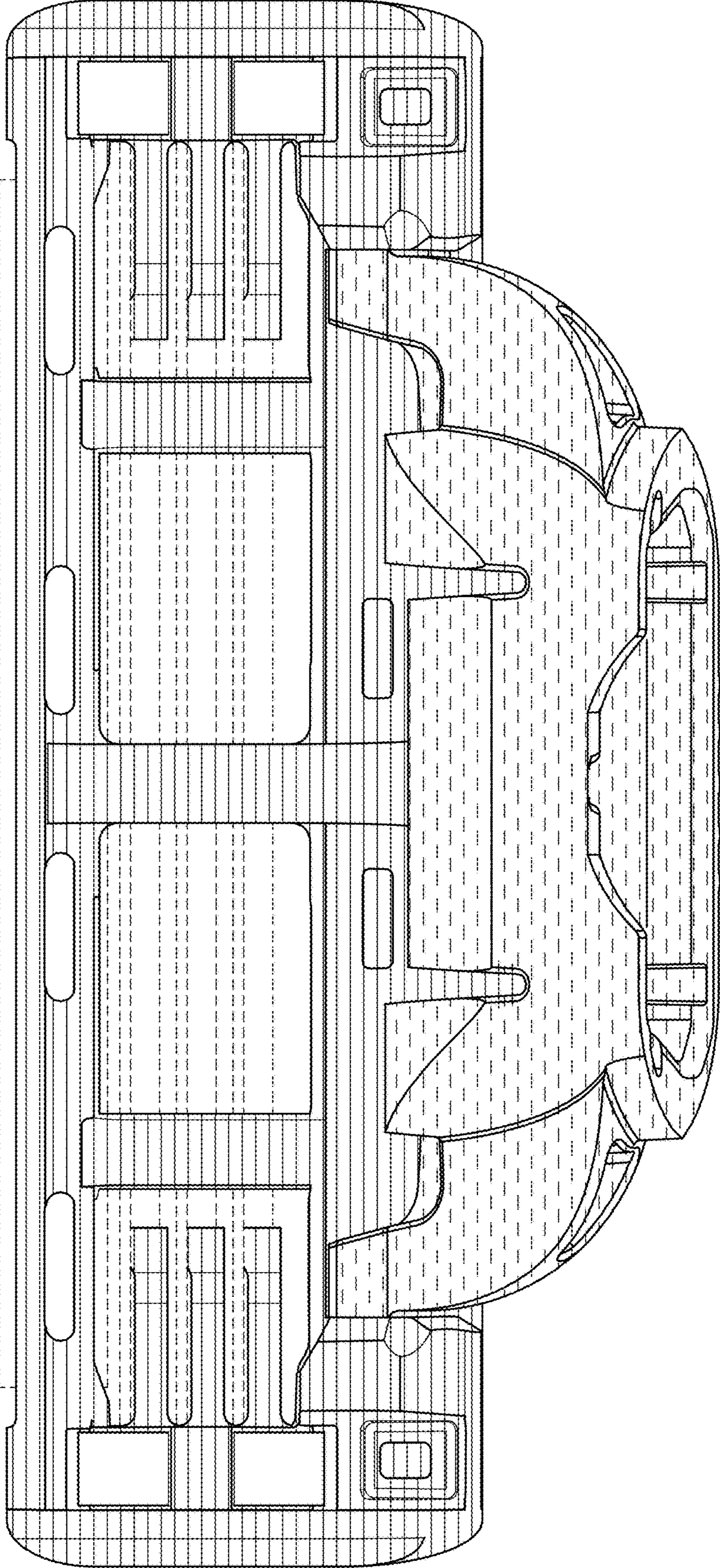


FIG. 3

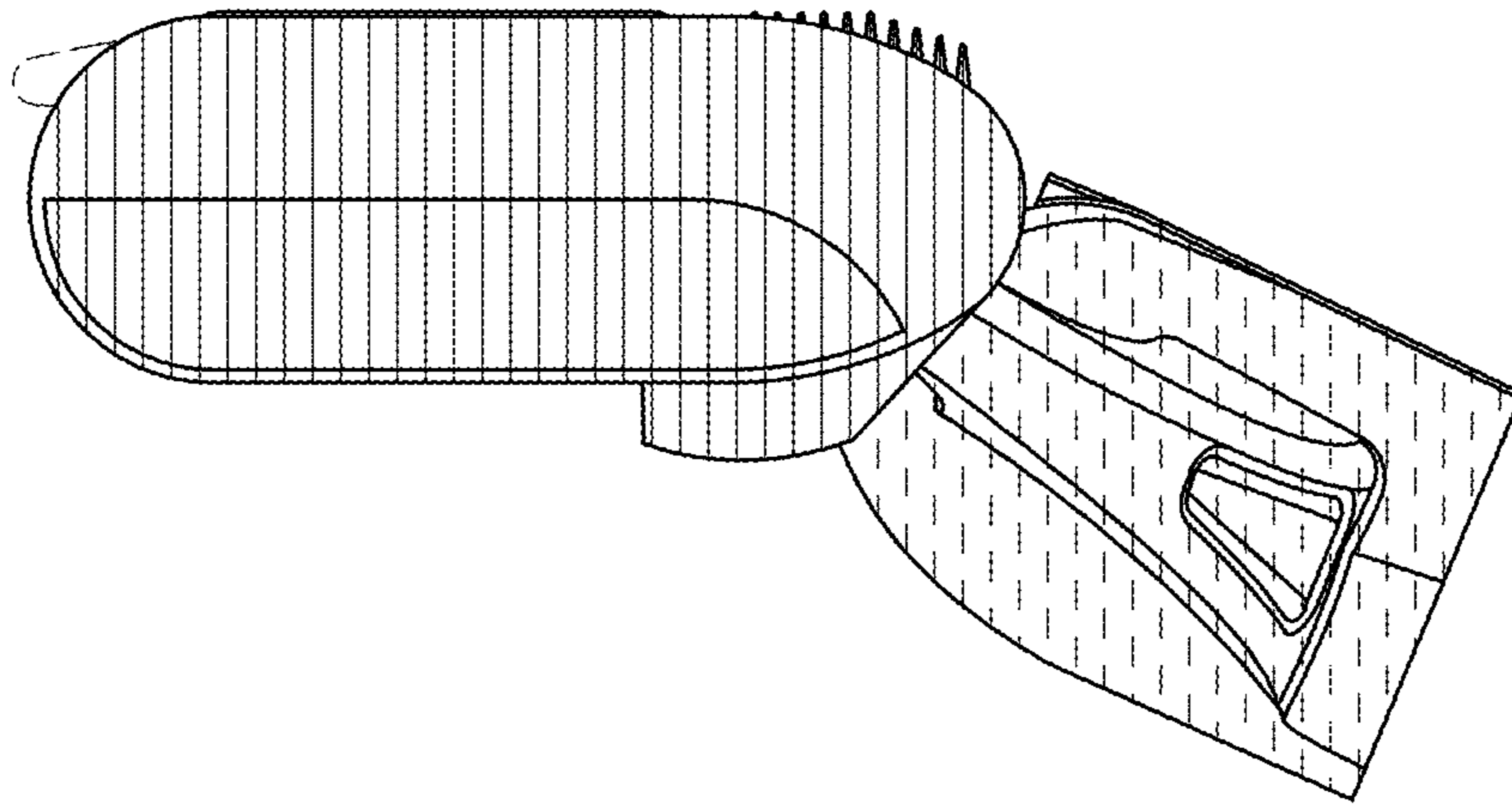


FIG. 5

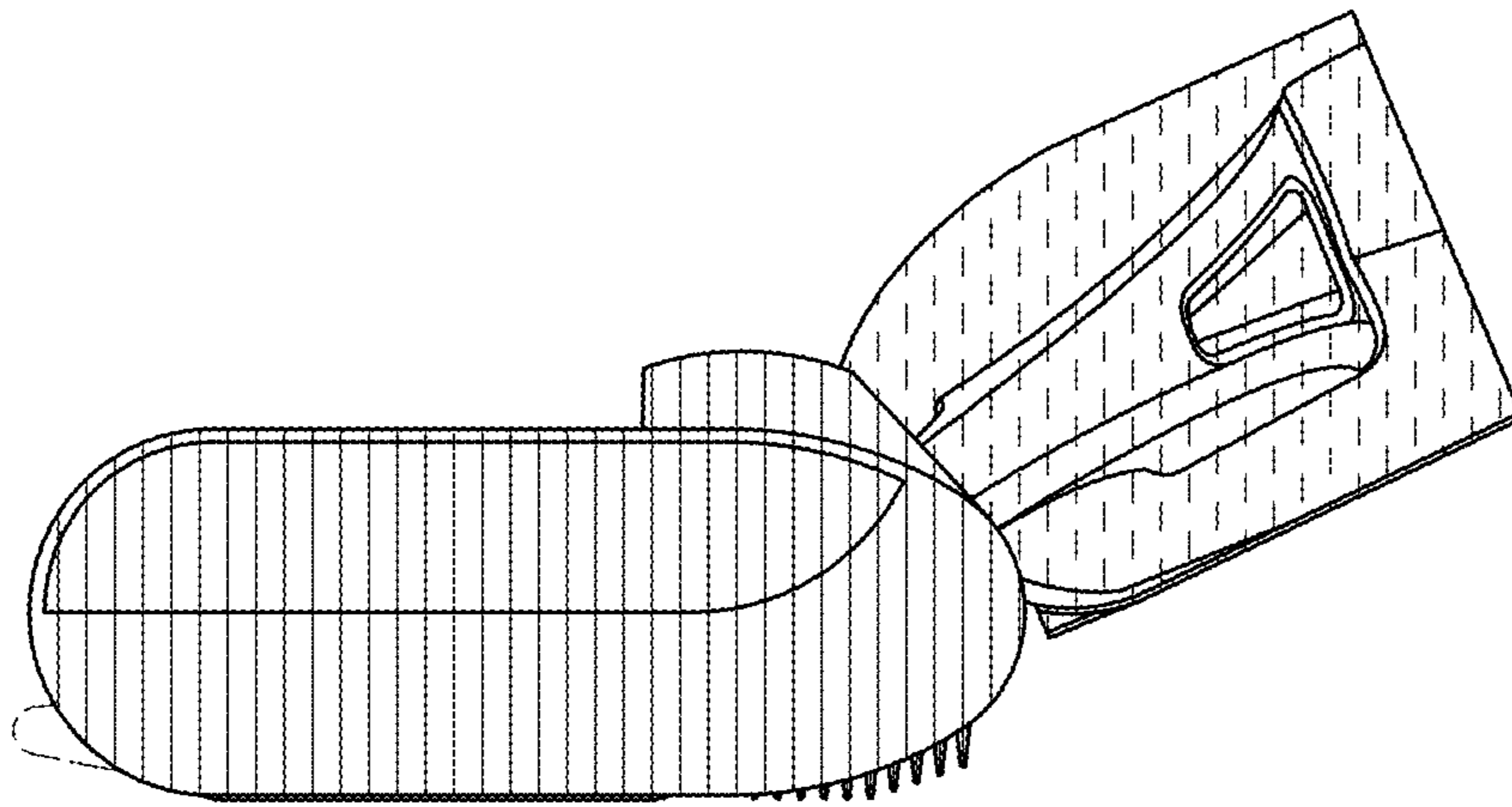


FIG. 4

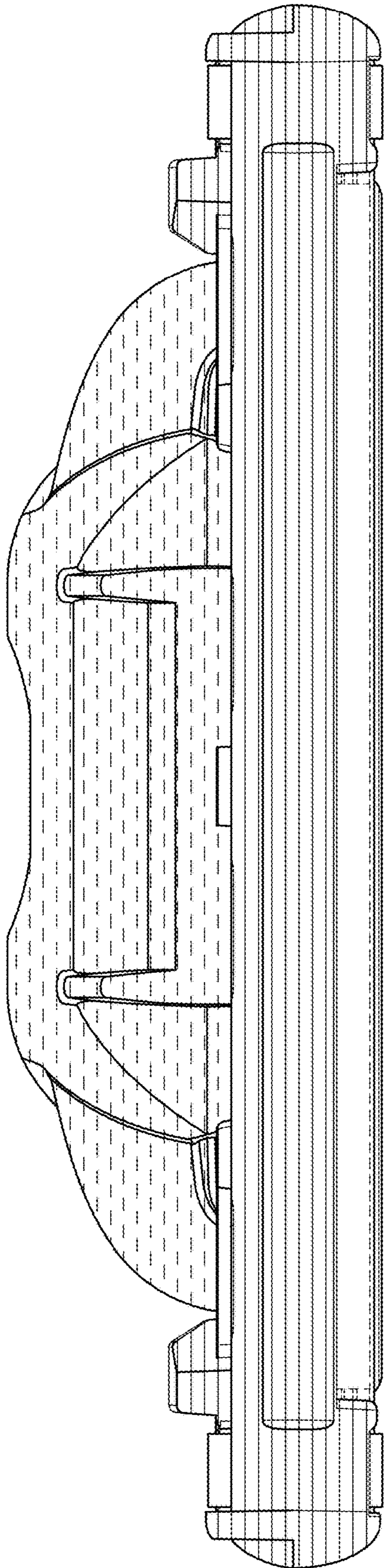


FIG. 6

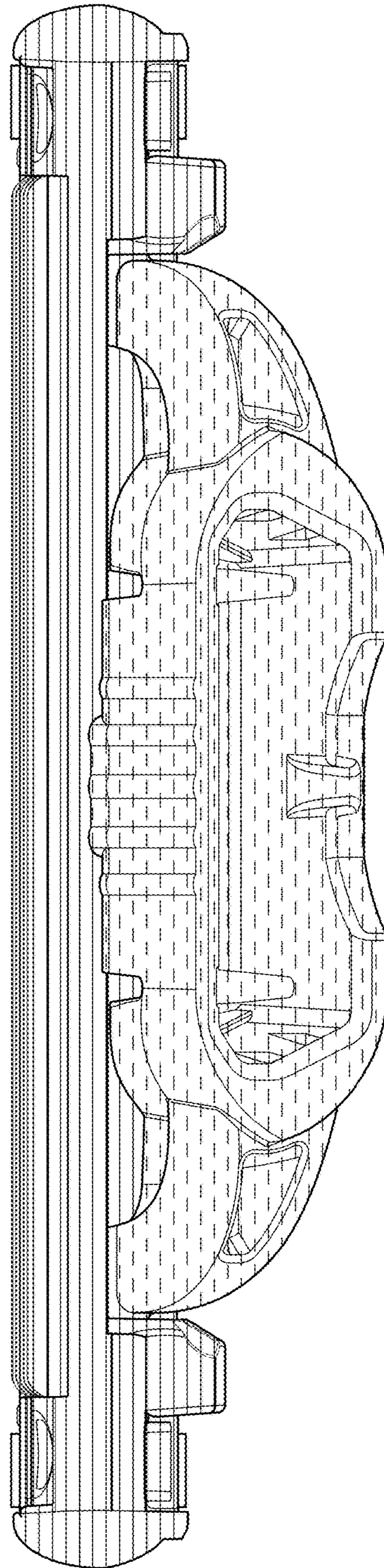


FIG. 7

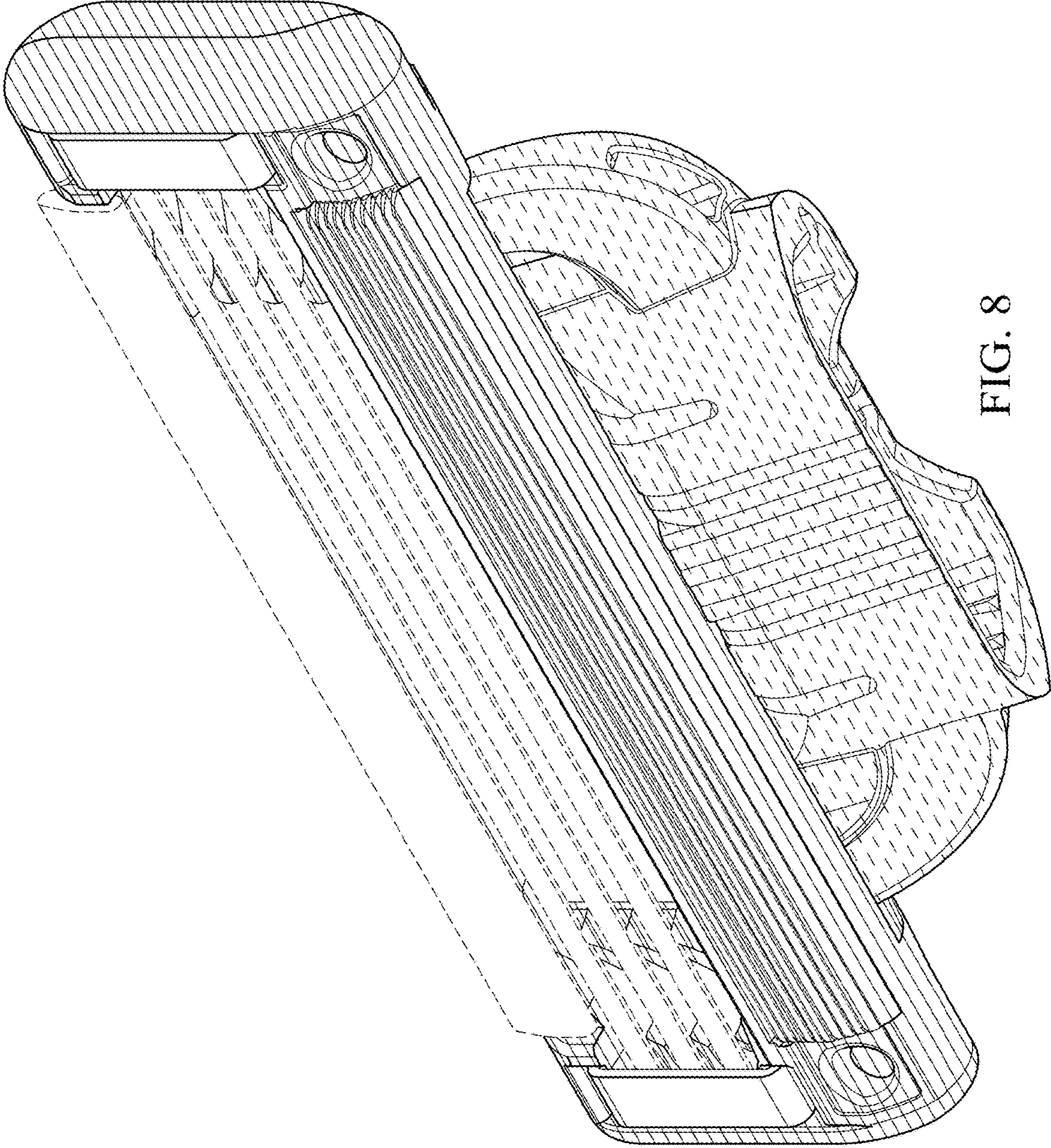


FIG. 8