

US00D779114S

(12) **United States Design Patent** (10) **Patent No.:** **US D779,114 S**
Stolte et al. (45) **Date of Patent:** **** Feb. 14, 2017**

(54) **LIGHTING FIXTURE**

(71) Applicant: **KENALL MANUFACTURING COMPANY**, Kenosha, WI (US)

(72) Inventors: **Brandon Stolte**, Lindenhurst, IL (US);
Kevin Dahlen, Lindenhurst, IL (US);
James Hawkins, Lake Bluff, IL (US)

(73) Assignee: **KENALL MANUFACTURING COMPANY**, Kenosha, WI (US)

(**) Term: **15 Years**

(21) Appl. No.: **29/542,324**

(22) Filed: **Oct. 13, 2015**

Related U.S. Application Data

(60) Division of application No. 29/487,609, filed on Apr. 10, 2014, now Pat. No. Des. 747,824, which is a division of application No. 29/464,699, filed on Aug. 20, 2013, now Pat. No. Des. 707,387, which is a continuation of application No. 13/005,288, filed on Jan. 12, 2011, now Pat. No. 8,905,589.

(51) **LOC (10) Cl.** **26-99**

(52) **U.S. Cl.**
USPC **D26/152**

(58) **Field of Classification Search**
USPC D26/72, 85, 89, 119, 128-137, 142, 152
CPC F21S 8/022; F21S 8/03; F21S 8/033;
F21S 8/04; F21S 8/043; F21V
29/506; F21V 21/03; F21V 3/04; F21V
3/0418; F21V 3/0427; F21V
3/0436; F21V 3/0445; F21V 21/14
See application file for complete search history.

(56) **References Cited**

U.S. PATENT DOCUMENTS

D30,094 S *	1/1899	Busch	D26/152
4,729,076 A	3/1988	Masami et al.	
D393,093 S *	3/1998	Fiorato	D26/85
D443,713 S *	6/2001	Benensohn	D26/72
D464,164 S *	10/2002	Thompson	D26/89
D465,599 S *	11/2002	Thompson	D26/89
D469,916 S *	2/2003	Caferro	D26/123

(Continued)

OTHER PUBLICATIONS

From eurostylelighting.com visited Aug. 5, 2010: Murray-Feiss Essential Ceiling light.*

(Continued)

Primary Examiner — Clare E Heflin

(74) *Attorney, Agent, or Firm* — Marshall, Gerstein & Borun LLP

(57) **CLAIM**

The ornamental design for a lighting fixture, as shown and described.

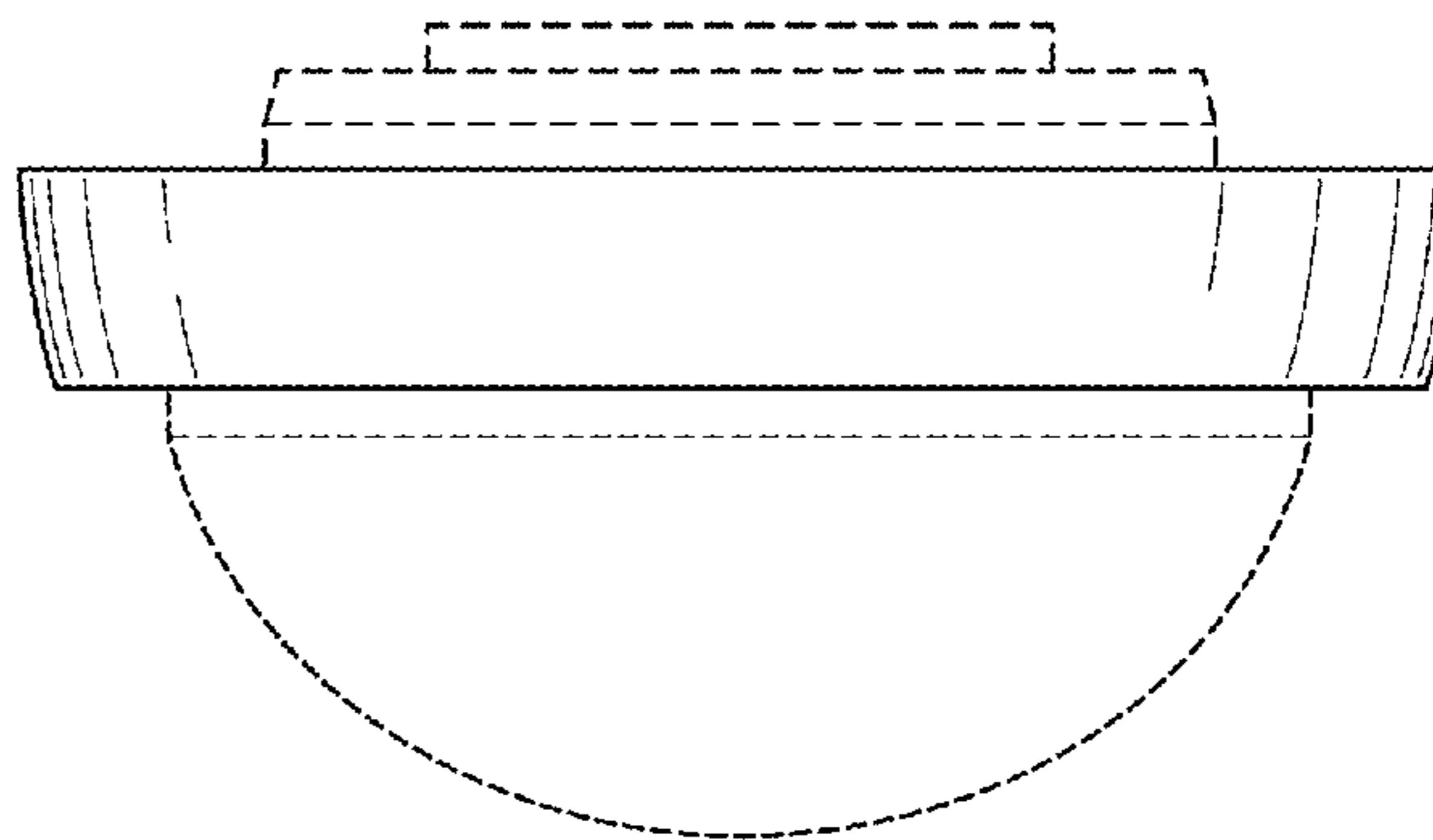
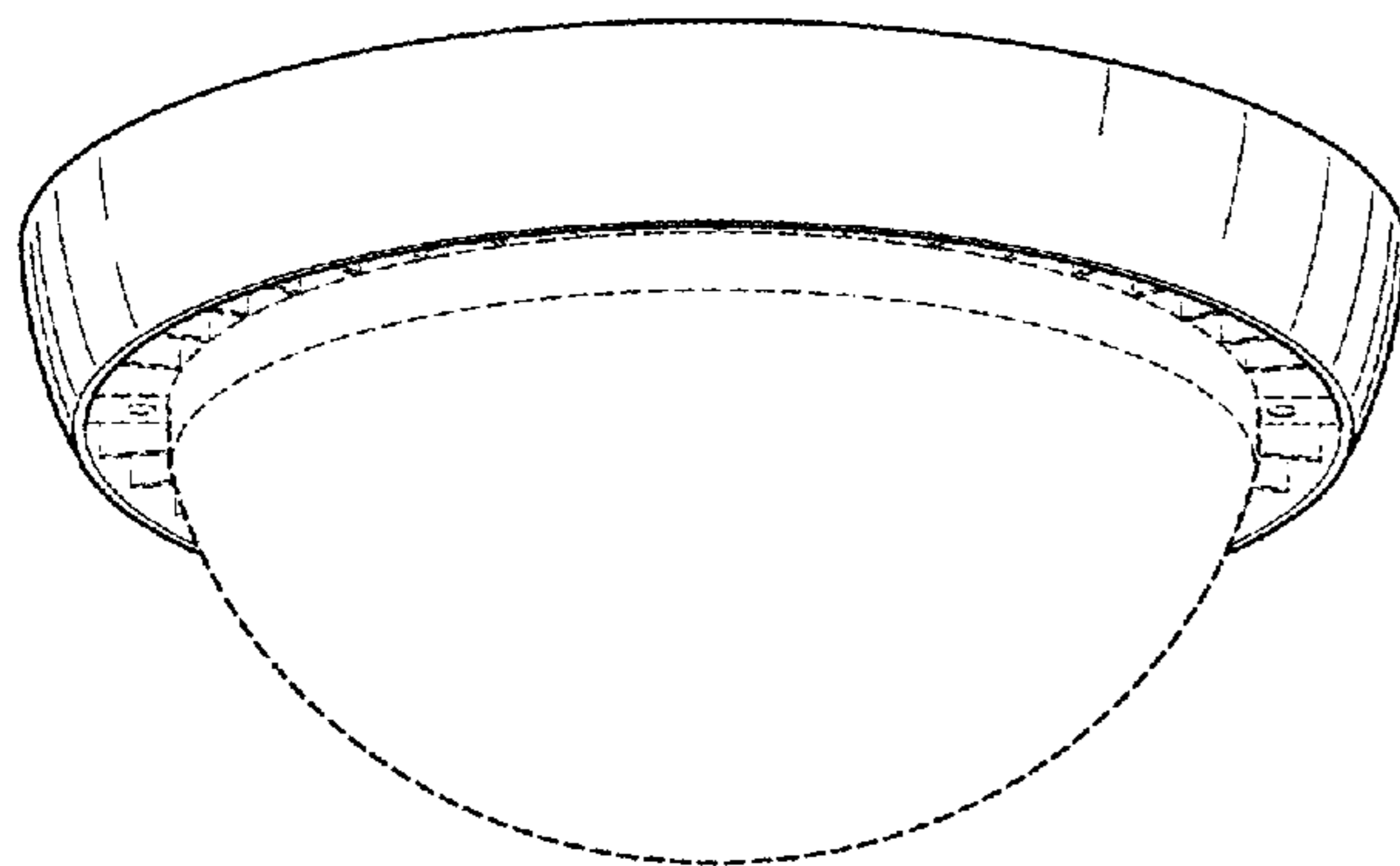
DESCRIPTION

FIG. 1 is a perspective view showing a new design for a lighting fixture angled rearward approximately 15 degrees from vertical;

FIG. 2 is a front view of the lighting fixture of FIG. 1; FIG. 3 is a bottom view of the lighting fixture of FIG. 1; FIG. 4 is a perspective view of the lighting fixture of FIG. 1 angled rearward approximately 30 degrees from vertical; and,

FIG. 5 is a perspective view of the lighting fixture of FIG. 1 angled rearward approximately 45 degrees from vertical. The broken lines shown on the drawings depict portions of the light fixture that form no part of the claimed design.

1 Claim, 3 Drawing Sheets



(56)

References Cited

U.S. PATENT DOCUMENTS

D483,903 S * 12/2003 Skradski D26/118
 D535,051 S * 1/2007 Stauffer D26/128
 D571,034 S * 6/2008 Goetz-Schaefer D26/85
 D583,091 S * 12/2008 Benensohn D26/89
 7,593,229 B2 9/2009 Shuy
 7,604,380 B2 10/2009 Burton et al.
 7,611,264 B1 * 11/2009 Chang F21K 9/00
 362/249.02
 D607,600 S * 1/2010 Keith D26/104
 7,682,055 B2 3/2010 Shuai et al.
 7,712,925 B2 5/2010 Russell
 7,775,692 B2 8/2010 Li
 7,810,965 B2 10/2010 Weaver
 7,828,465 B2 11/2010 Roberge et al.
 7,832,898 B2 11/2010 Li
 D628,738 S * 12/2010 Chen D26/89
 7,857,497 B2 12/2010 Koike et al.
 7,862,210 B2 1/2011 Zhang et al.
 7,866,847 B2 1/2011 Zheng
 7,874,700 B2 1/2011 Patrick
 7,959,329 B2 6/2011 Van De Ven
 7,972,036 B1 7/2011 Schach et al.
 7,979,197 B2 7/2011 Finn et al.
 8,157,422 B2 4/2012 Paik et al.
 8,164,237 B2 4/2012 Wen
 8,226,273 B2 7/2012 Lai
 8,235,097 B2 8/2012 Scordino et al.
 8,272,765 B2 9/2012 Ter-Hovhannisyan
 D707,387 S * 6/2014 Stolte D26/142
 D747,824 S * 1/2016 Stolte D26/89
 D768,907 S * 10/2016 Stolte D26/152

2009/0046473 A1 2/2009 Tsai et al.
 2009/0296387 A1 12/2009 Reisenauer et al.
 2010/0091487 A1 4/2010 Shin
 2010/0124058 A1 5/2010 Miller
 2010/0172143 A1 7/2010 Cunius
 2011/0110095 A1 5/2011 Li et al.

OTHER PUBLICATIONS

From eurostylelighting.com visited Aug. 5, 2010: Sonneman Vienna Polished nickel 17" ceiling light.*
 From eurostylelighting.com visited Aug. 5, 2010: Forecast Presto Collection 10" wide ceiling light.*
 From eurostylelighting.com visited Aug. 5, 2010: 1) Sonneman Trumpet 21" surface ceiling light; and 2) Sonneman Rialto 17" ceiling light.*
 American Electric Lighting, LEDR LED Roadway, Advertising Brochure, before Dec. 20, 2010, 12 pages.
 Dialight Corporation, DuroSite, LED Low Bay Fixture, unknown publication date, 2 pages, Dialight Website.
 Dialight Corporation, DuroSite_highbay_dlc, Press Release, Aug. 25, 2010, 1 page, Dialight Website.
 Dialight Corporation, DuroSite_LED_Lowboy, Press Release, Apr. 5, 2011, 1 page, Dialight Website.
 Dialight, DuraSite LED High Bay, Advertising Brochure, before Dec. 20, 2010, 8 pages.
 Electromatic Products, High Light Low Energy LED Lighting, Advertising Brochure, before Dec. 20, 2010, 2 pages.
 Philips Corporation, Canlyte product brochure, unknown date, 16 pages—reference p. 7, Canlyte a Philips Group Brand, Printed in Canada.

* cited by examiner

FIG. 1

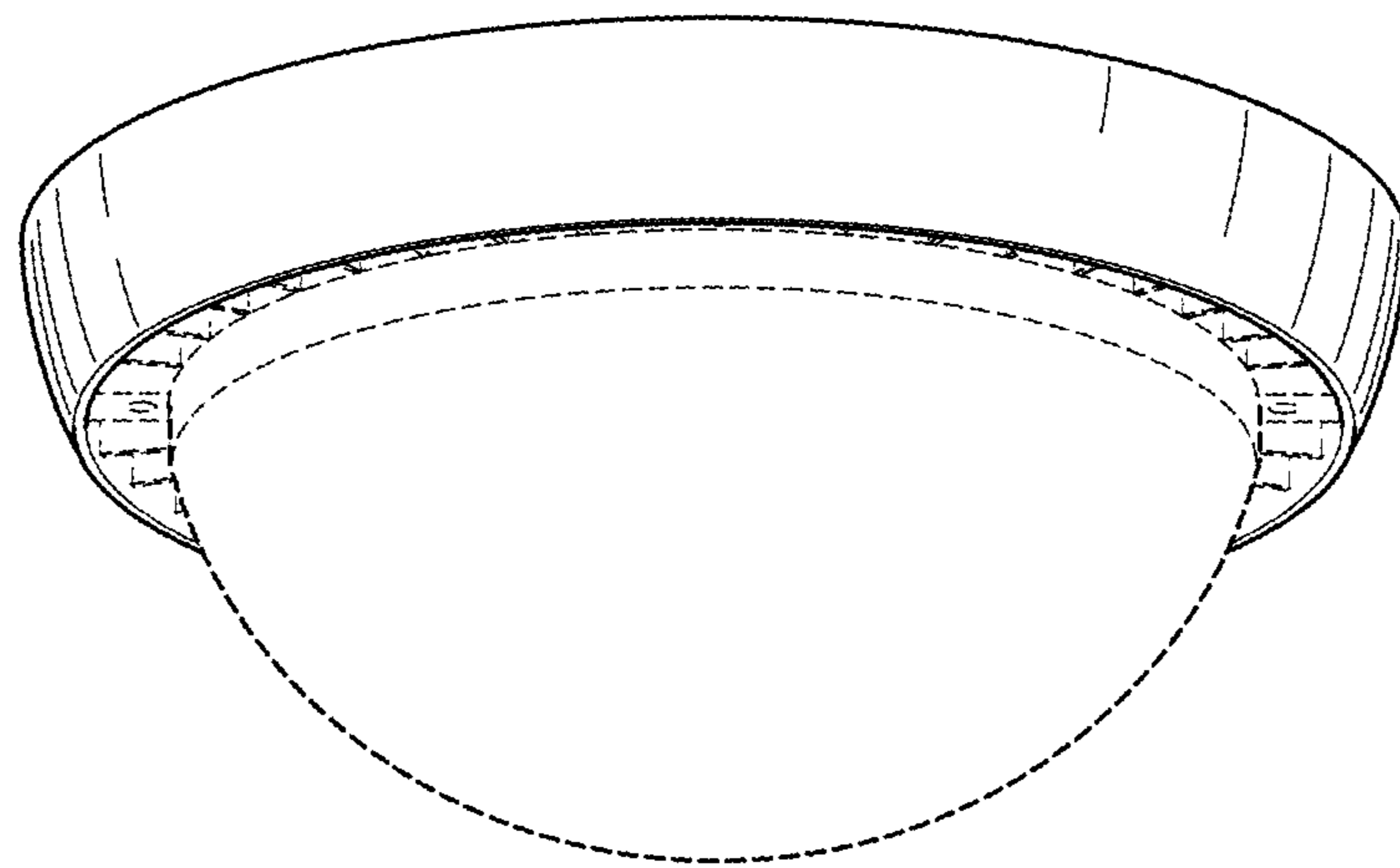


FIG. 2

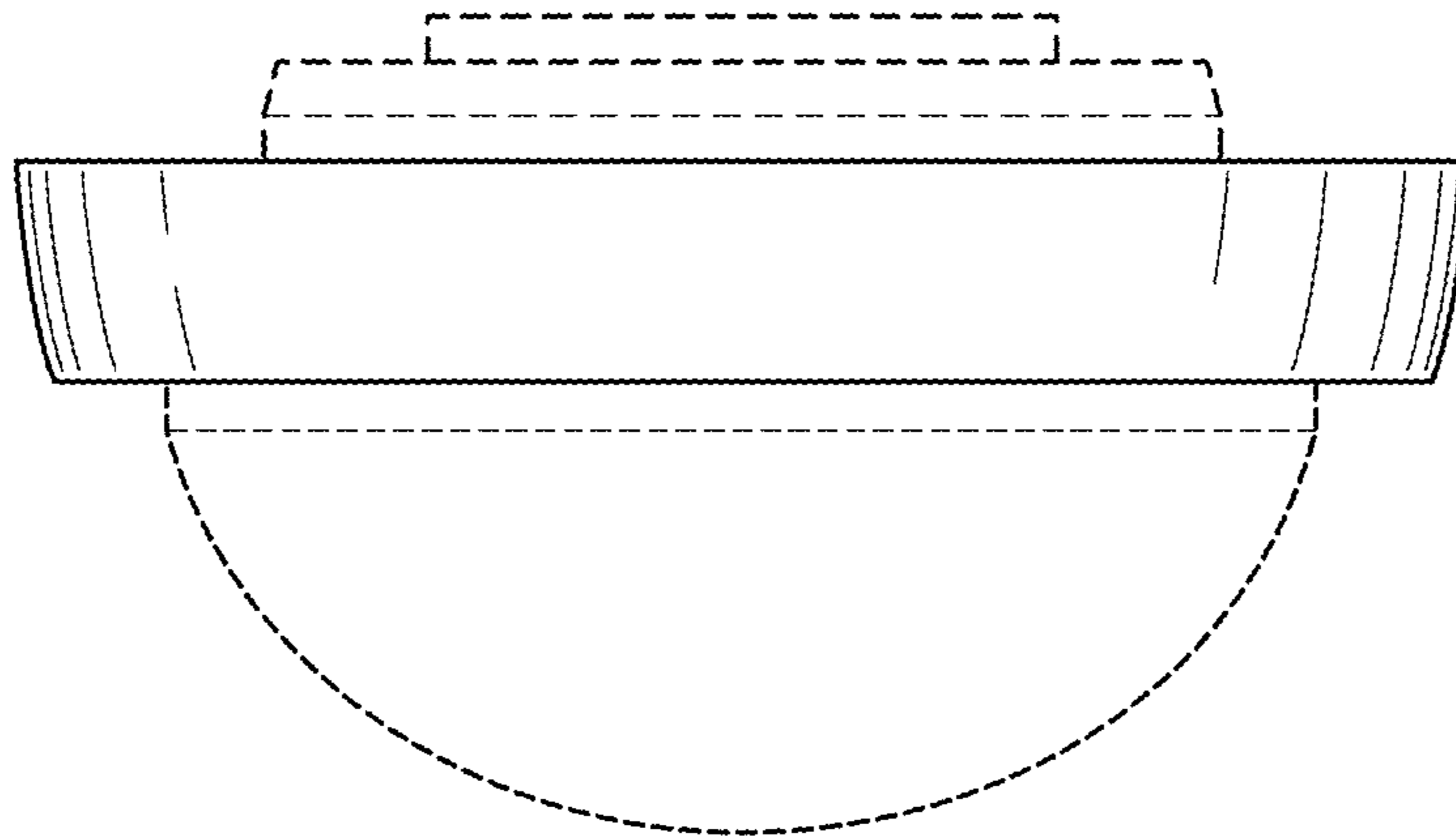
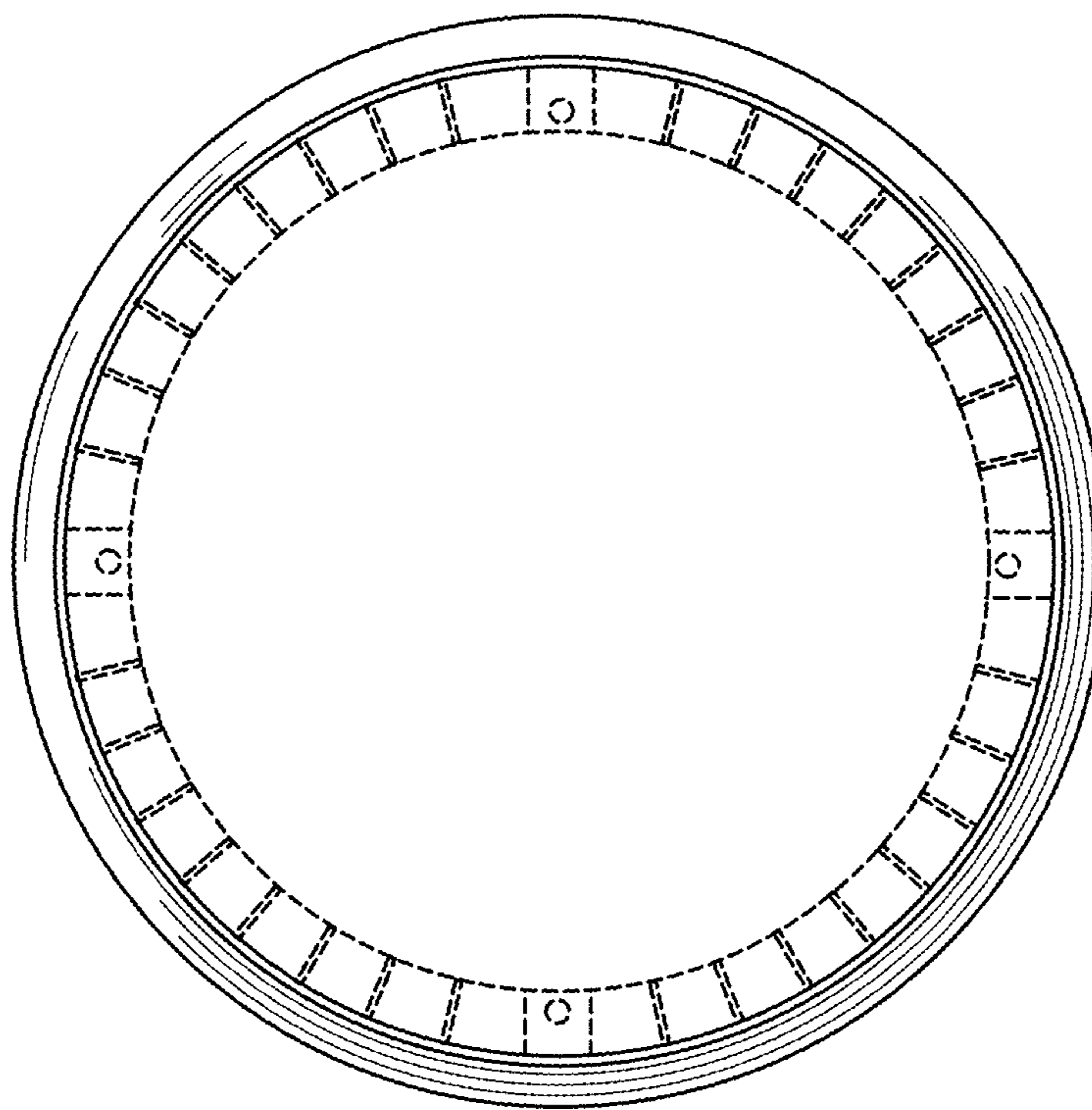


FIG. 3



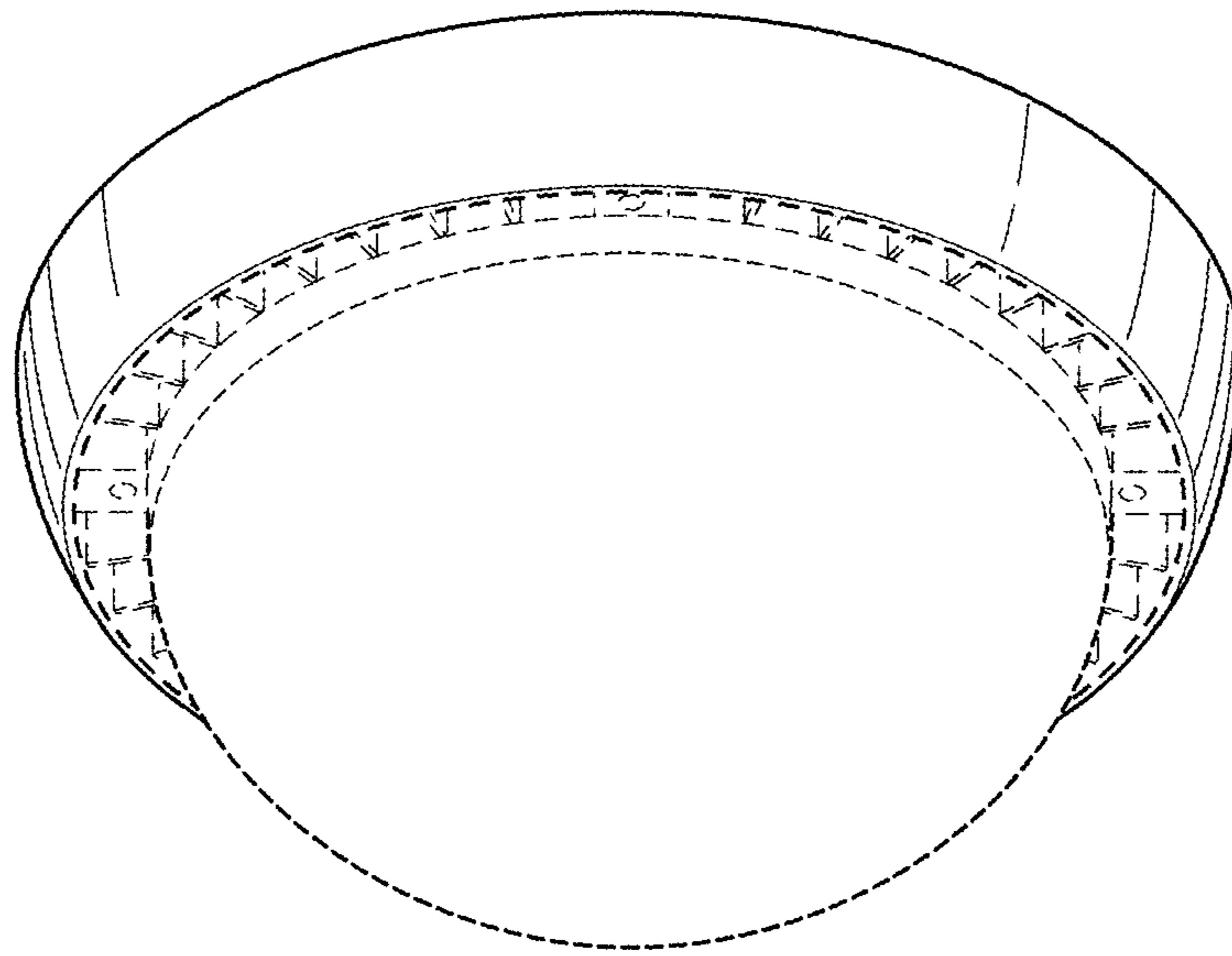


FIG. 4

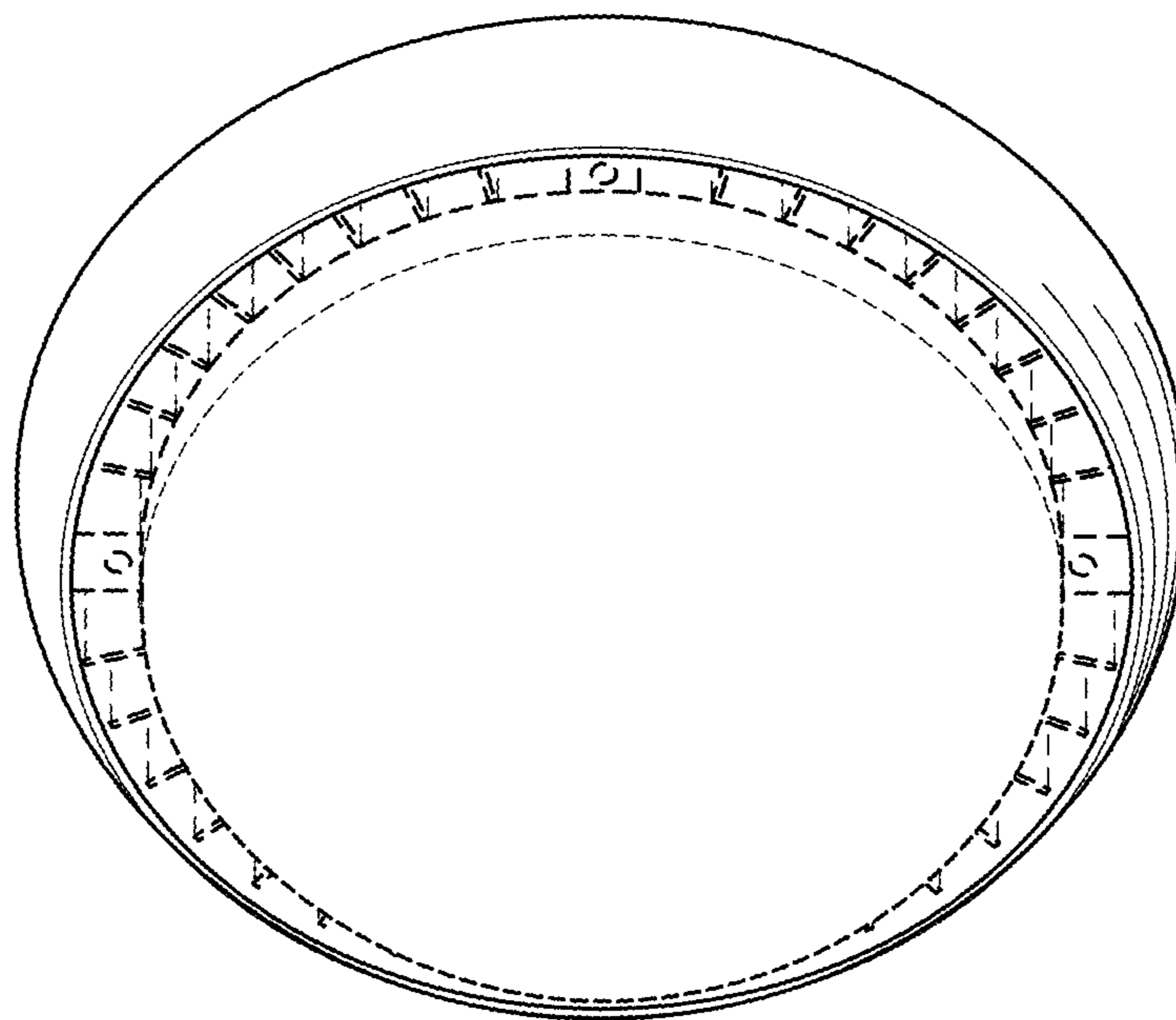


FIG. 5