



US00D779113S

(12) **United States Design Patent** (10) **Patent No.:** **US D779,113 S**
Sonneman (45) **Date of Patent:** **** Feb. 14, 2017**

(54) **PARALLEL POWER BAR SUSPENDER FOR A LIGHTING SYSTEM**

(71) Applicant: **Robert A. Sonneman**, Mamaroneck, NY (US)

(72) Inventor: **Robert A. Sonneman**, Mamaroneck, NY (US)

(**) Term: **15 Years**

(21) Appl. No.: **29/575,568**

(22) Filed: **Aug. 26, 2016**

(51) **LOC (10) Cl.** **26-99**

(52) **U.S. Cl.**
USPC **D26/138**

(58) **Field of Classification Search**
USPC D26/76, 78, 79, 80, 81, 82, 83, 85, 88,
D26/90, 93, 110, 118, 119, 120, 121, 122,
D26/138, 140-142
CPC F21S 4/00; F21S 4/003; F21S 4/006;
F21S 4/007; F21S 4/008; F21S
6/004; F21S 6/005; F21K 9/54; F21V
15/01; F21V 15/013
See application file for complete search history.

(56) **References Cited**

U.S. PATENT DOCUMENTS

2,292,395	A	*	8/1942	O'Brien	H01R 31/00 174/101
D301,304	S	*	5/1989	Will	D25/119
D355,582	S	*	2/1995	Sleight	D8/354
D430,699	S	*	9/2000	Coleman, Jr.	D26/138
D440,005	S	*	4/2001	Blanton	D26/138

D443,198	S	*	6/2001	Snyder	D25/164
D598,603	S	*	8/2009	Cunius	D26/138
D662,653	S	*	6/2012	Hochman	D26/138
D669,392	S	*	10/2012	Dunn	D11/184
D731,275	S	*	6/2015	Hochman	D8/65
D747,636	S	*	1/2016	Maher	D8/72
D753,605	S	*	4/2016	McPherson	D13/155

* cited by examiner

Primary Examiner — George D Kirschbaum

Assistant Examiner — Natasha Vujcic

(74) *Attorney, Agent, or Firm* — Gottlieb, Rackman & Reisman P.C.

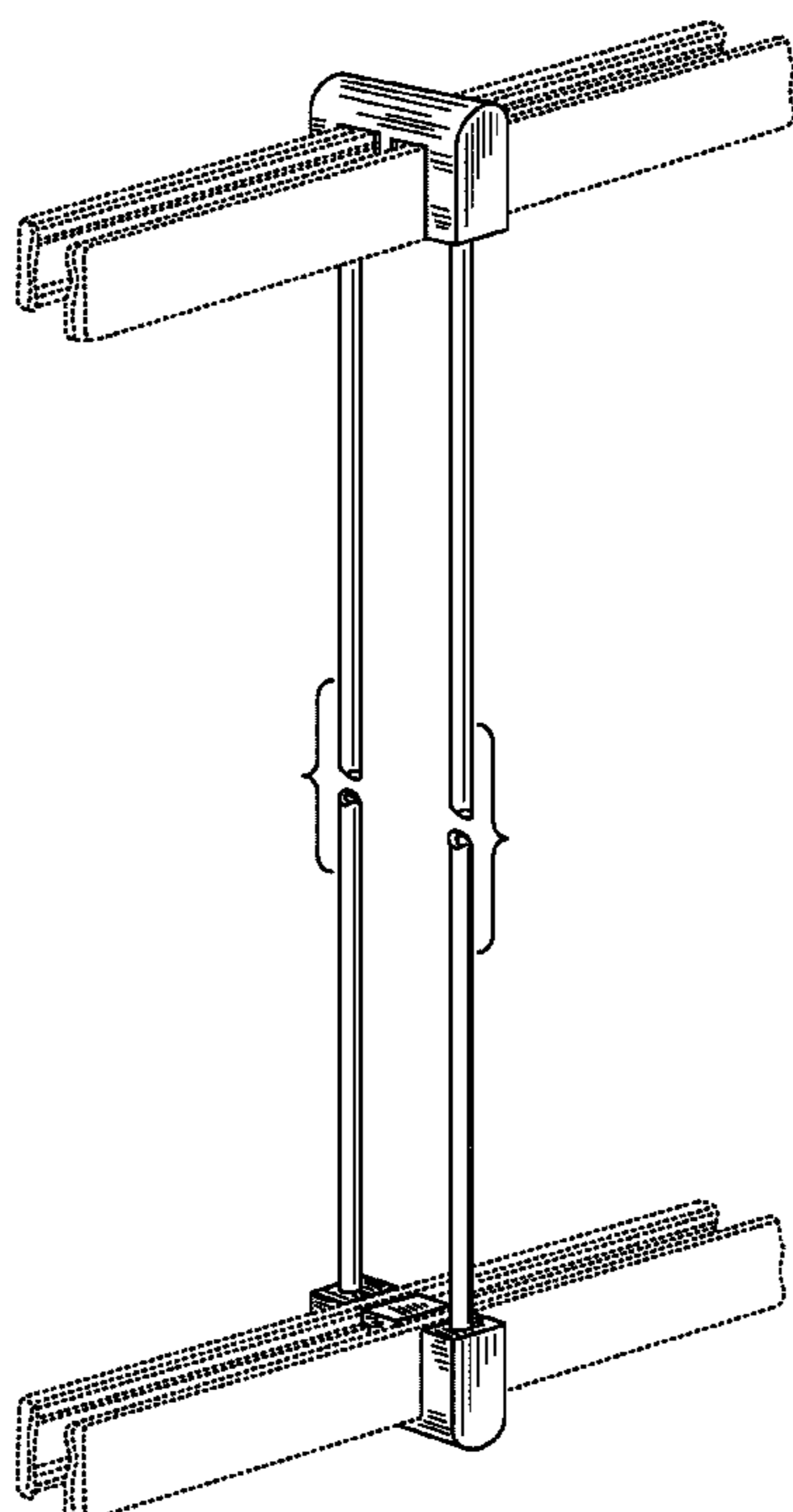
(57) **CLAIM**

The ornamental design for a parallel power bar suspender for a lighting system, as shown and described.

DESCRIPTION

FIG. 1 is a perspective view of the parallel power bar suspender for a lighting system showing my new design; FIG. 2 is top plan view thereof, the bottom plan view being a mirror image; FIG. 3 is front elevational view thereof; the rear elevational view being a mirror image; and, FIG. 4 is a right side elevational view thereof, the left side elevational view being a mirror image. The break lines in FIGS. 1, 3 and 4 are to indicate that the appearance of any portion of the parallel power bar suspender between break lines forms no part of the claimed design. The remaining broken lines in the drawings are included for the purpose of illustrating portions of the article that form no part of the claimed design.

1 Claim, 2 Drawing Sheets



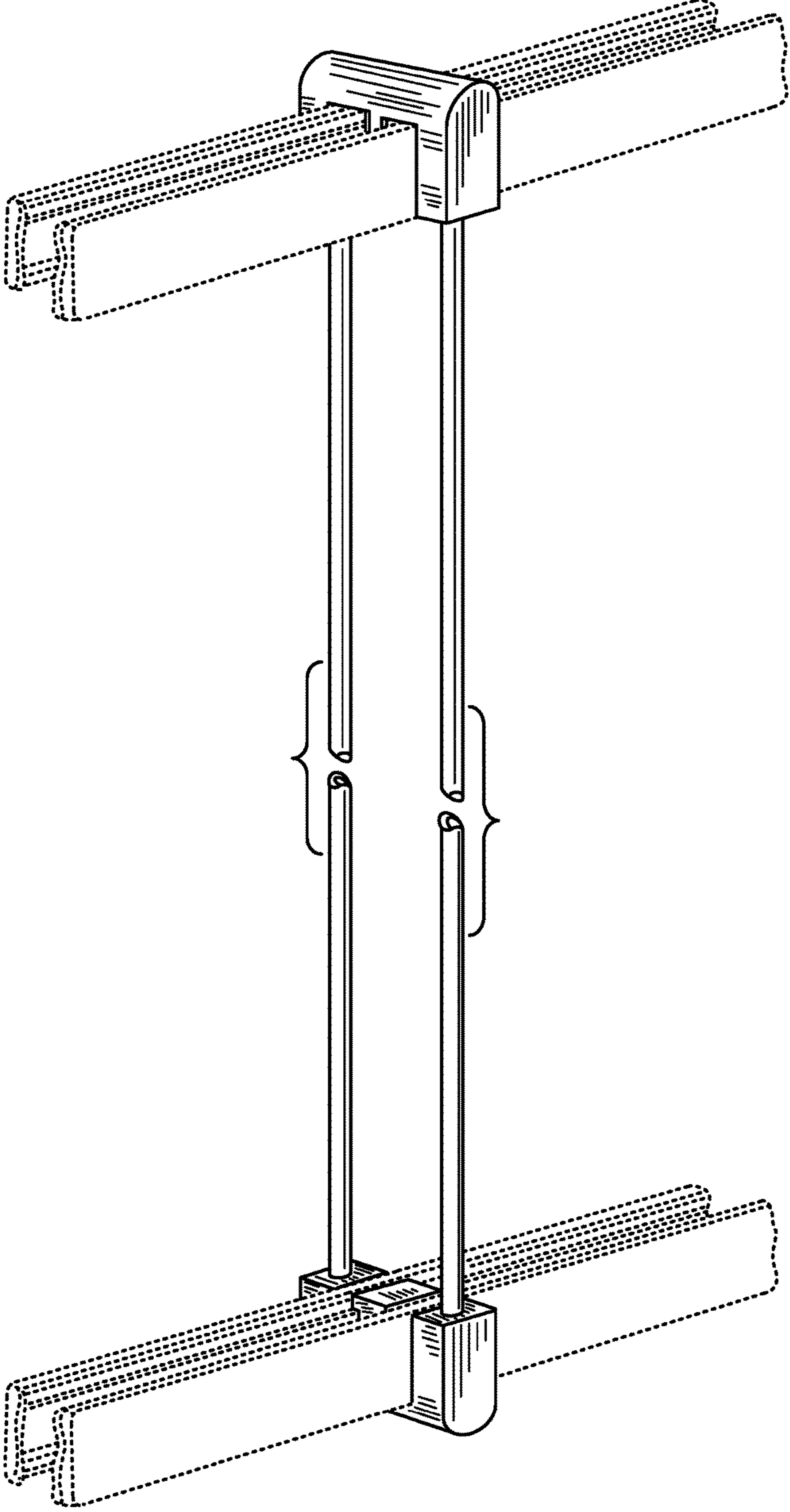


FIG. 1

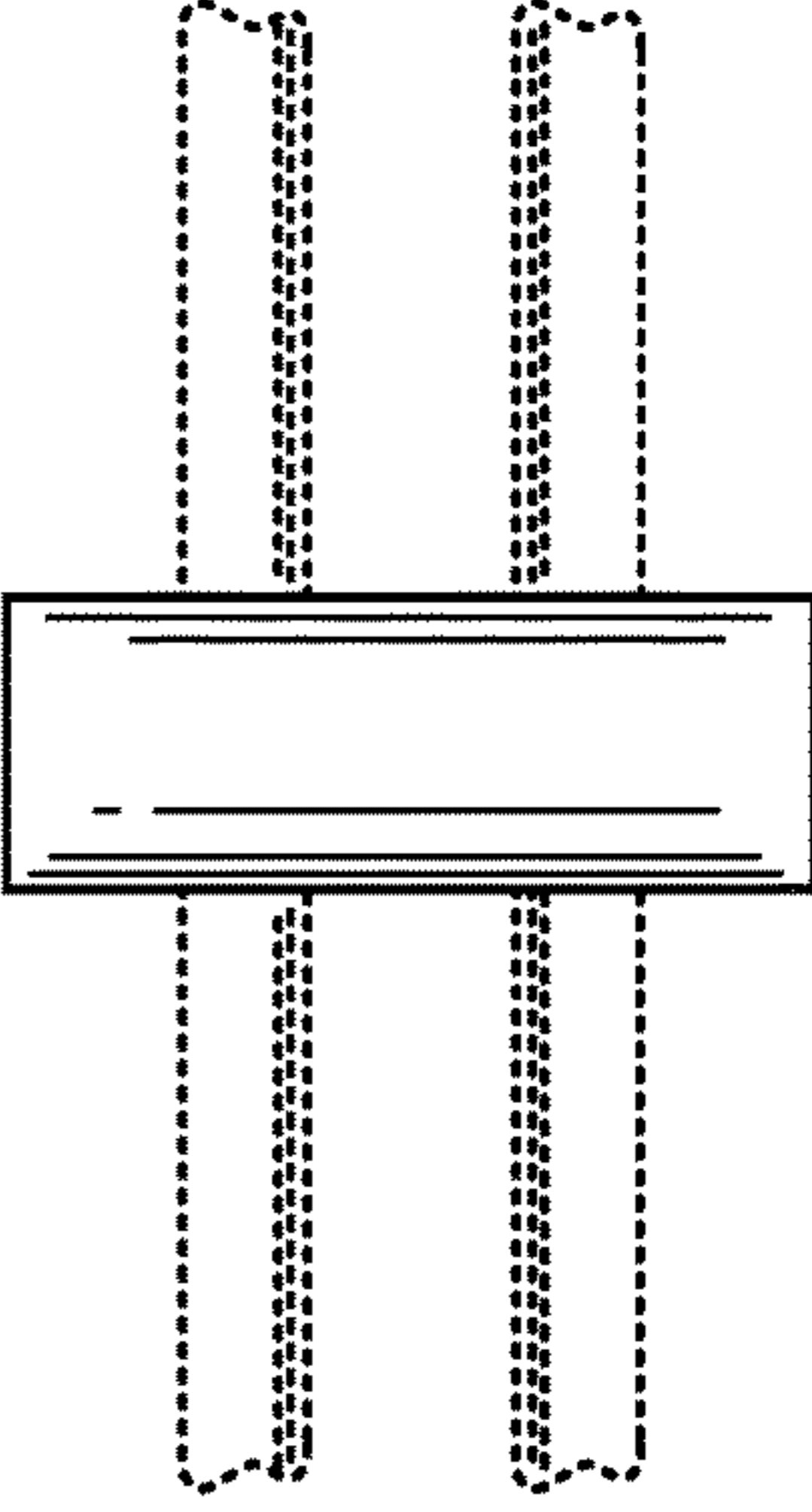


FIG. 2

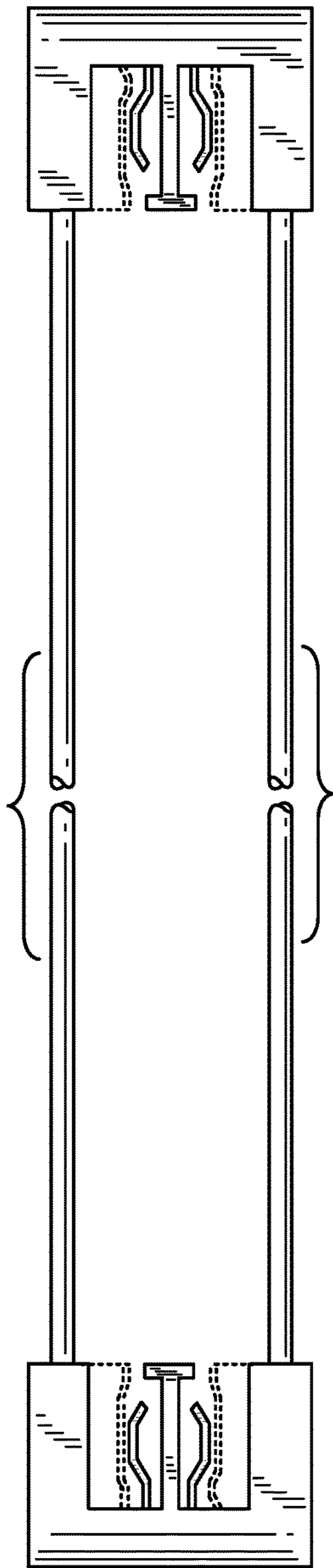


FIG. 3

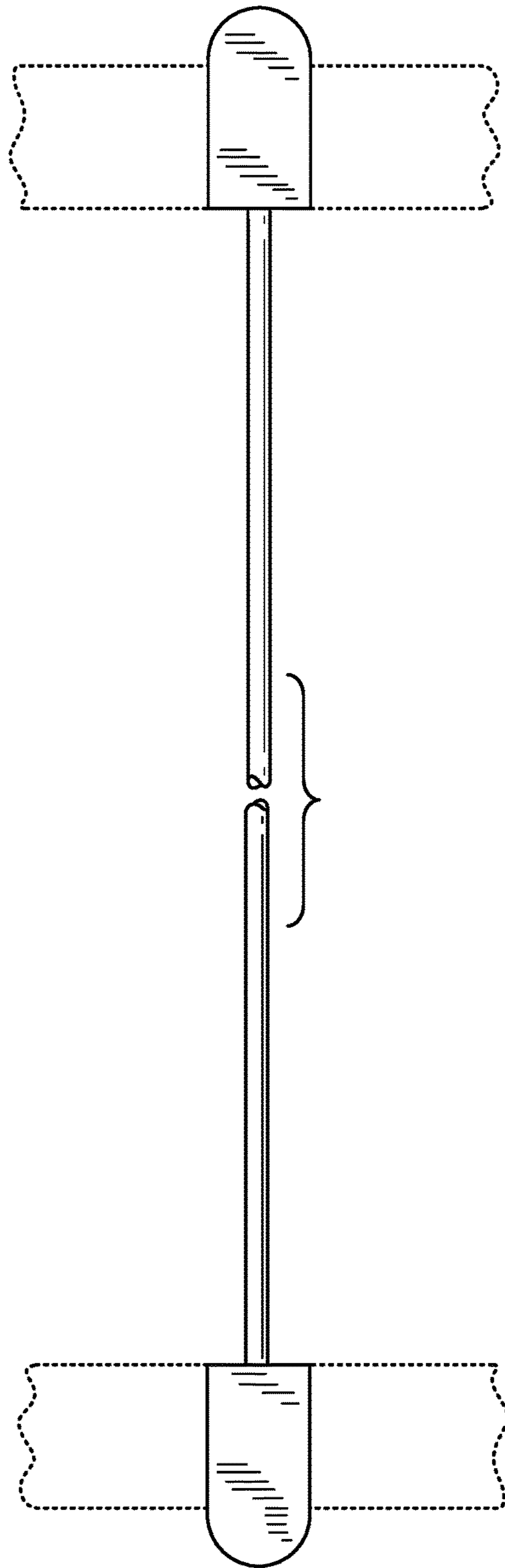


FIG. 4