



US00D779112S

(12) **United States Design Patent** (10) **Patent No.:** **US D779,112 S**
McCanless (45) **Date of Patent:** **** Feb. 14, 2017**

(54) **TRI-LOBE LIGHT FIXTURE OPTIC**

(71) Applicant: **ABL IP HOLDING LLC**, Conyers, GA (US)

(72) Inventor: **Forrest Starnes McCanless**, Oxford, GA (US)

(73) Assignee: **ABL IP Holding LLC**, Decatur, GA (US)

(**) Term: **14 Years**

(21) Appl. No.: **29/524,980**

(22) Filed: **Apr. 24, 2015**

(51) **LOC (10) Cl.** **26-99**

(52) **U.S. Cl.**
USPC **D26/138**

(58) **Field of Classification Search**
USPC D13/110, 107, 108, 123, 133, 135, 137, D13/138, 199; D26/60-66, 138-139, D26/26-28, 72, 74, 75, 76, 81, 82, 106, D26/109, 113, 118; 174/53, 54; 362/269, 362/274; D8/377; D25/119-122
CPC H01R 25/14; H01R 25/142; H01R 25/00; F16J 1/16; H01L 27/14618; H01L 27/14601; H01L 27/14634; G06F 1/1637; E04C 2003/0408; E04C 2003/0421; E04C 2003/043; E04C 2003/0434; E04C 2003/0465
See application file for complete search history.

(56) **References Cited**

U.S. PATENT DOCUMENTS

2,356,654 A * 8/1944 Cullman F21V 5/04
200/84 C
D141,068 S * 5/1945 Maurette D26/76
4,734,836 A 3/1988 Negishi

D418,626 S * 1/2000 Herst D26/118
7,111,964 B2 9/2006 Suehiro et al.
D567,425 S * 4/2008 Yates D26/76
D577,852 S * 9/2008 Miyairi D26/120
7,422,347 B2 9/2008 Miyairi et al.
7,461,960 B2 12/2008 Opolka et al.
7,582,913 B2 9/2009 Huang et al.
7,621,657 B2 11/2009 Ohkawa et al.
D605,329 S * 12/2009 Watt D26/118
D617,935 S * 6/2010 Miletich D26/76
7,819,557 B2 10/2010 Schubert et al.
D627,095 S * 11/2010 Miyairi D26/120
7,922,370 B2 4/2011 Zhang et al.
7,985,009 B2 7/2011 Ho et al.
D646,421 S * 10/2011 Chung D26/75
8,052,307 B2 11/2011 Bak et al.

(Continued)

Primary Examiner — Eric Goodman

Assistant Examiner — Christopher J Matthews

(74) *Attorney, Agent, or Firm* — Kilpatrick Townsend & Stockton, LLP

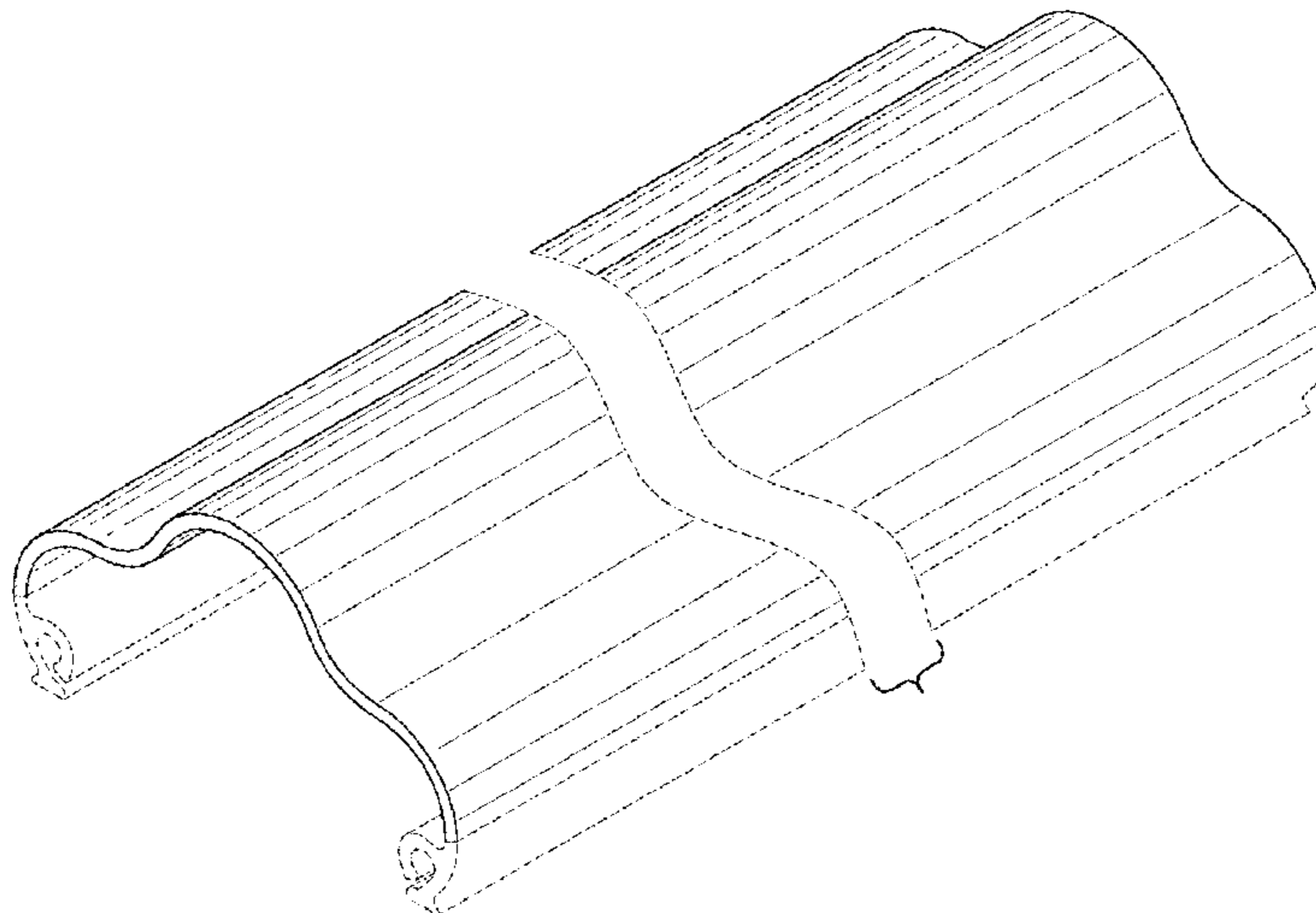
(57) **CLAIM**

The ornamental design for a tri-lobe light fixture optic, as shown and described.

DESCRIPTION

FIG. 1 is an isometric view of the tri-lobe light fixture optic; FIG. 2 is a bottom view of the tri-lobe light fixture optic; FIG. 3 is a top view of the tri-lobe light fixture optic; FIG. 4 is a side view of the tri-lobe light fixture optic, an opposing side view of the tri-lobe light fixture optic being a mirror image thereof; and, FIG. 5 is an end view of the tri-lobe light fixture optic. In FIGS. 1-5, the broken lines indicate portions of the light fixture optic that form no part of the claimed design. In FIGS. 1-4, the broken line symbolic breaks and accompanying bracket indicate that the appearance of the article between the break lines forms no part of the claimed design.

1 Claim, 5 Drawing Sheets



(56)

References Cited

U.S. PATENT DOCUMENTS

8,070,326 B2 12/2011 Lee et al.
 8,075,157 B2 12/2011 Zhang et al.
 8,106,859 B2 1/2012 Ohkawa et al.
 8,147,100 B2 4/2012 Yamaguchi et al.
 8,172,433 B2 5/2012 Muschaweck et al.
 8,177,391 B2 5/2012 Ryu et al.
 8,210,722 B2 7/2012 Holder et al.
 D670,020 S * 10/2012 Herremans D26/88
 D677,818 S * 3/2013 Steele D26/74
 8,395,183 B2 * 3/2013 Lee H01L 33/58
 257/102
 8,425,088 B2 4/2013 Matsuki et al.
 8,430,538 B2 4/2013 Holder et al.
 8,434,911 B2 5/2013 Matsuki et al.
 8,449,150 B2 5/2013 Allen et al.
 8,506,122 B2 8/2013 Bak et al.
 8,585,252 B2 11/2013 Wanninger et al.
 8,602,605 B2 12/2013 Park et al.
 8,613,532 B2 12/2013 Fujii et al.
 8,632,225 B2 1/2014 Koo et al.
 8,777,457 B2 7/2014 Holder et al.
 D712,081 S * 8/2014 Murata D26/72
 8,845,142 B2 9/2014 de Lamberterie
 D717,483 S * 11/2014 Barnes D26/72
 D725,307 S * 3/2015 Guercio D26/89
 D730,568 S * 5/2015 Mahowald D26/118

D738,026 S * 9/2015 Dungan D26/76
 9,134,476 B2 * 9/2015 Chen G02B 6/005
 D744,146 S * 11/2015 Martins D26/74
 D757,332 S * 5/2016 Sieczkowski D26/76
 9,328,893 B2 * 5/2016 Strotmann F21V 3/00
 2006/0091418 A1 * 5/2006 Chew H01L 33/54
 257/100
 2006/0198144 A1 * 9/2006 Miyairi A47F 3/001
 362/257
 2007/0070530 A1 3/2007 Seo et al.
 2011/0228528 A1 9/2011 Yang et al.
 2011/0286214 A1 * 11/2011 Quinlan F21S 8/04
 362/235
 2012/0155073 A1 * 6/2012 McCanless F21S 8/04
 362/218
 2013/0051031 A1 2/2013 Sun et al.
 2013/0094218 A1 4/2013 Wang et al.
 2013/0114022 A1 5/2013 Iiyama et al.
 2013/0229810 A1 9/2013 Pelka et al.
 2013/0258676 A1 10/2013 Hyun et al.
 2014/0071696 A1 3/2014 Park, II et al.
 2014/0126217 A1 5/2014 Hand
 2014/0160766 A1 6/2014 Chinniah et al.
 2014/0177233 A1 6/2014 Tseng
 2014/0254134 A1 9/2014 Pelka et al.
 2014/0254172 A1 9/2014 Wang et al.
 2016/0033088 A1 * 2/2016 Mayfield, III F21K 9/17
 362/225

* cited by examiner

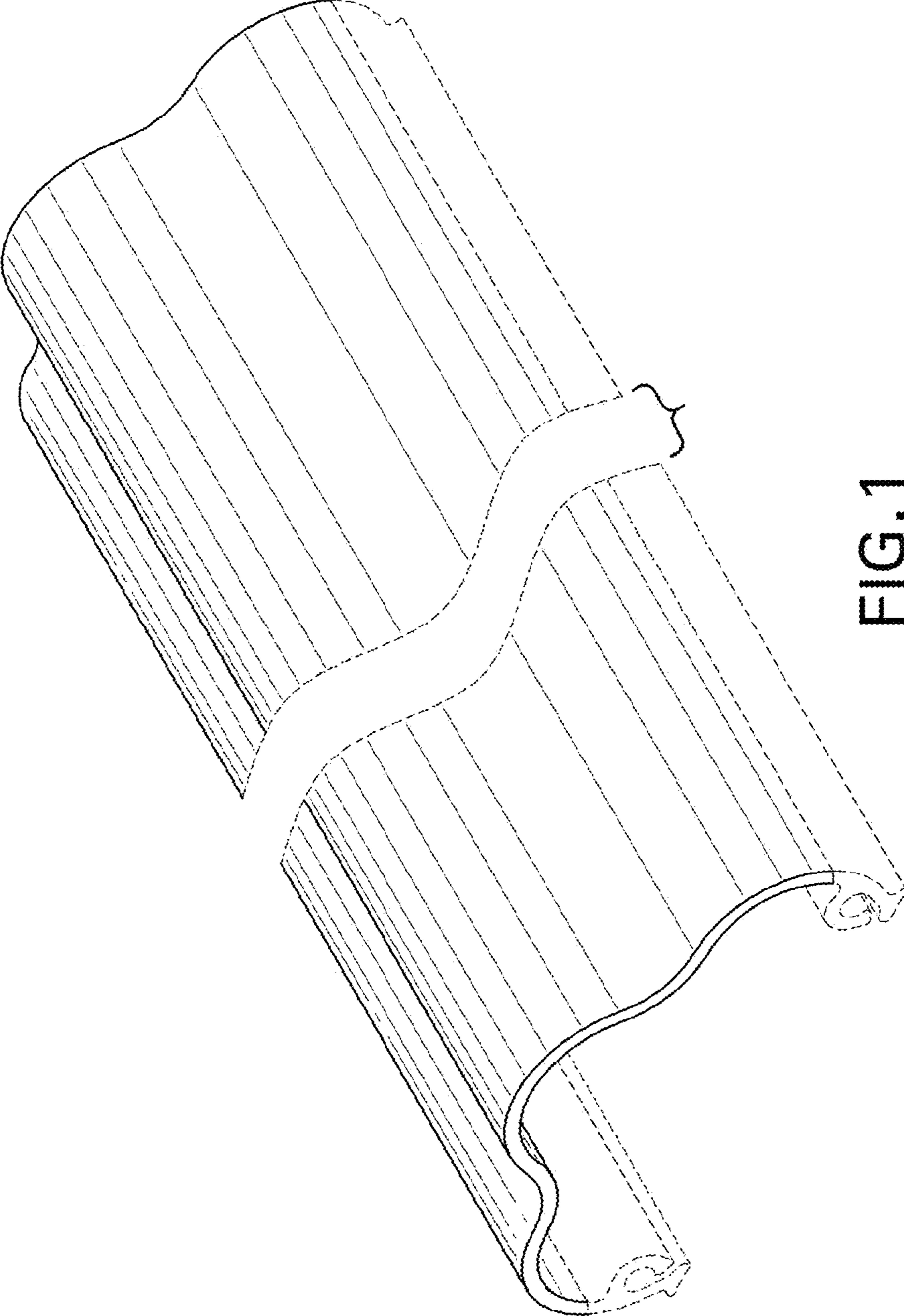


FIG.1

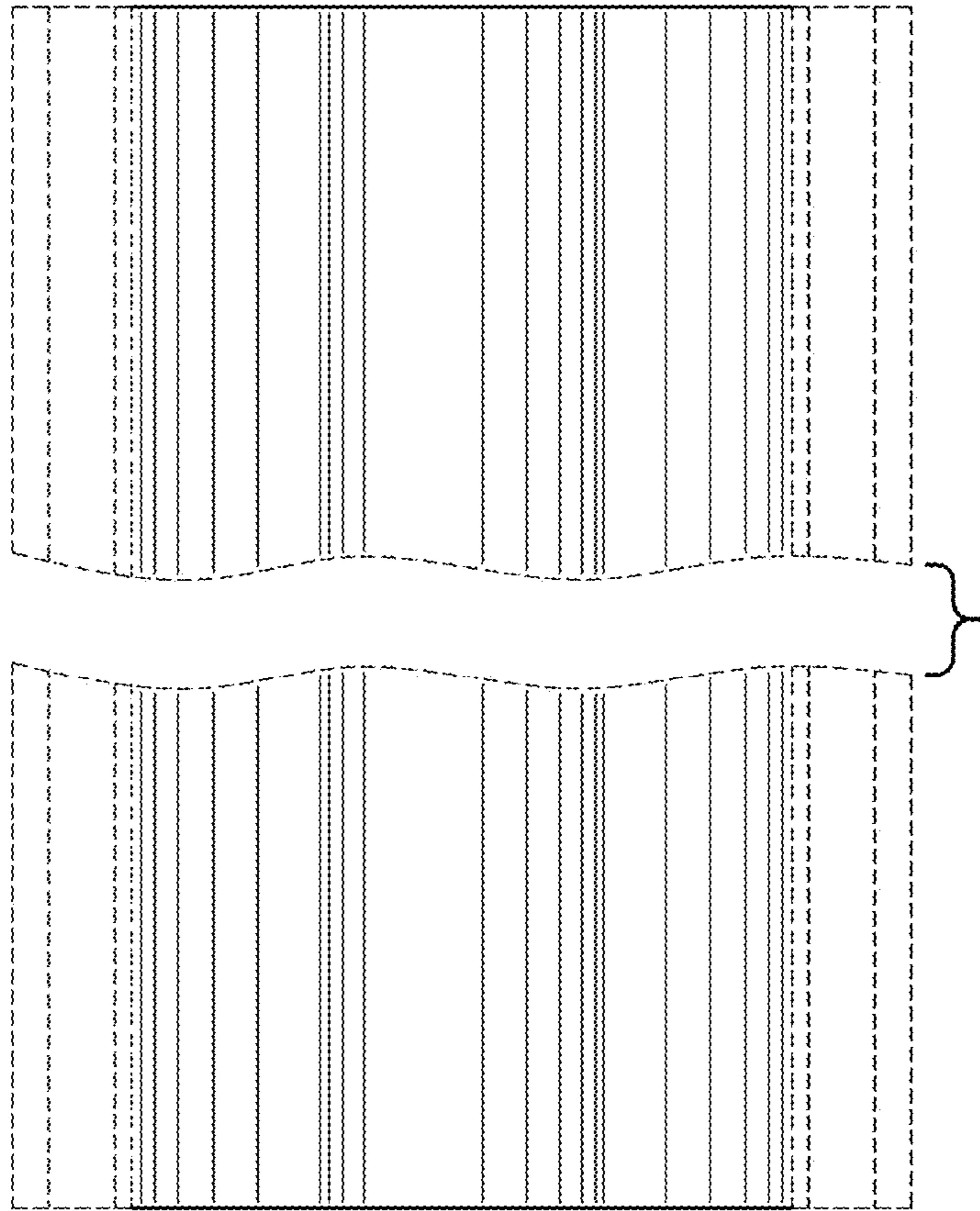


FIG.2

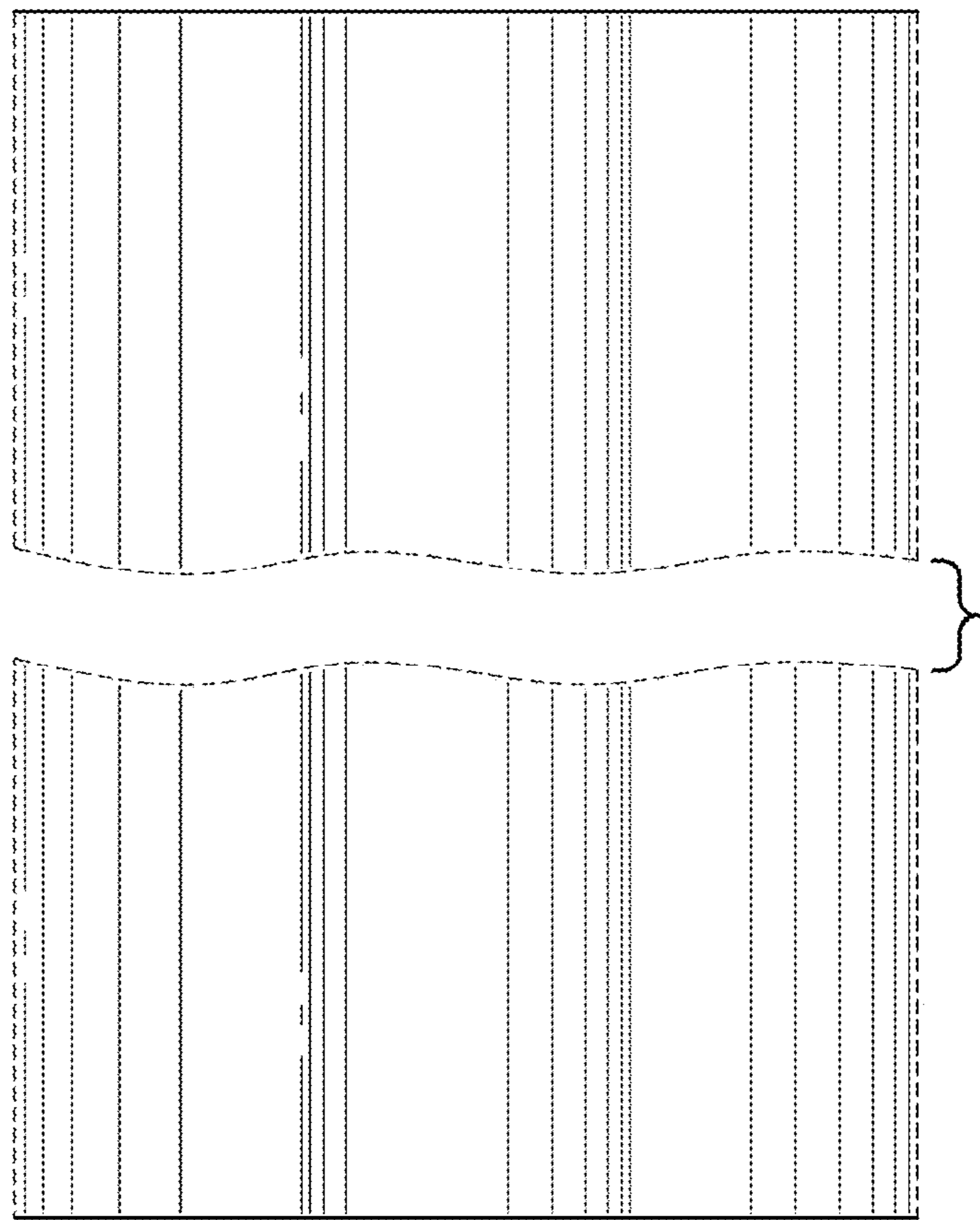


FIG. 3

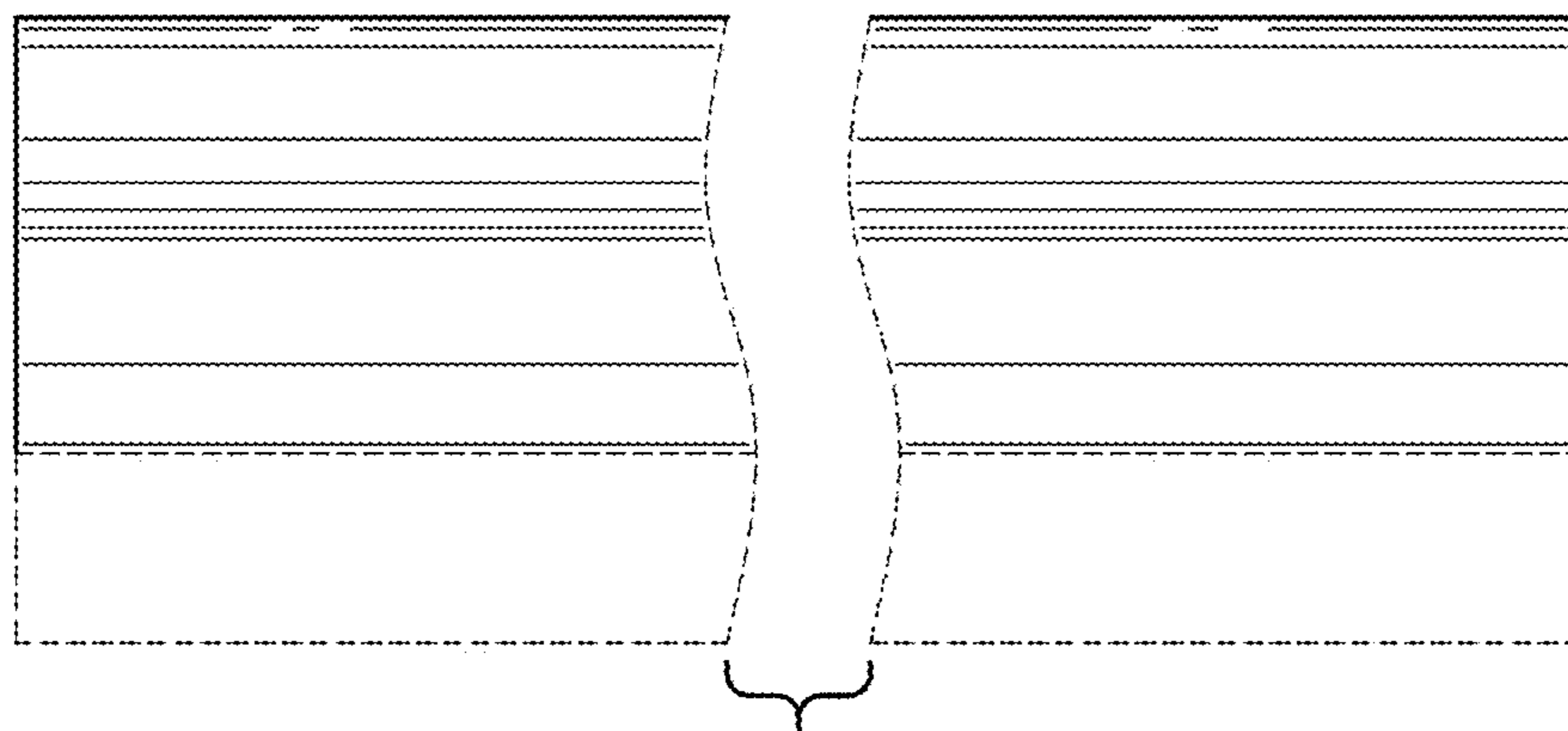


FIG. 4

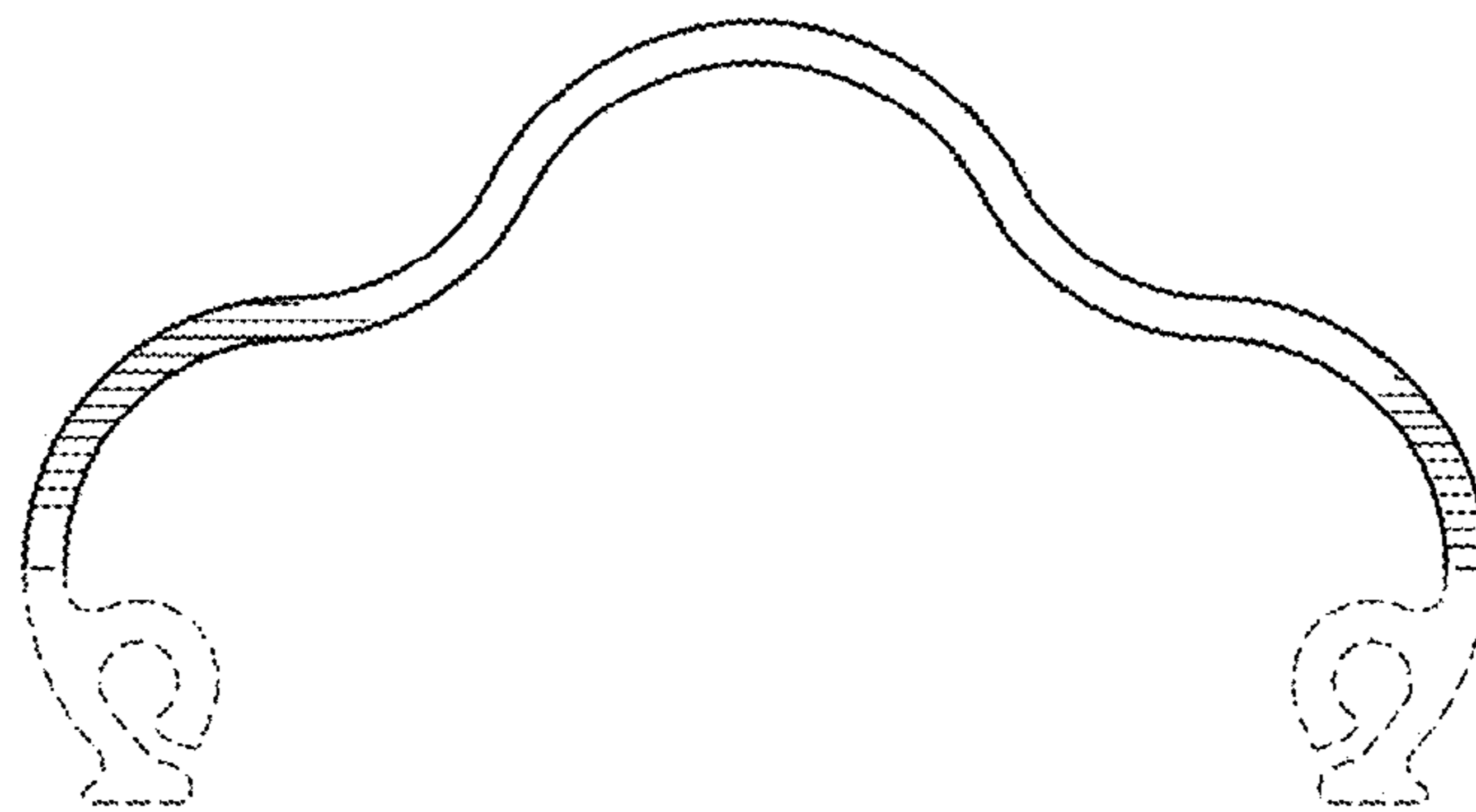


FIG.5