



US00D779109S

(12) **United States Design Patent**
Wallach

(10) **Patent No.:** **US D779,109 S**

(45) **Date of Patent:** **** Feb. 14, 2017**

(54) **LAMP SIMULATING A UFO**

(71) Applicant: **Capstone Industries, Inc.**, Deerfield Beach, FL (US)

(72) Inventor: **Stewart Wallach**, Deerfield Beach, FL (US)

(73) Assignee: **CAPSTONE INDUSTRIES, INC.**, Deerfield Beach, FL (US)

(**) Term: **15 Years**

(21) Appl. No.: **29/562,593**

(22) Filed: **Apr. 27, 2016**

(51) **LOC (10) Cl.** **26-03**

(52) **U.S. Cl.**
USPC **D26/97**

(58) **Field of Classification Search**
USPC D26/97; D21/447; D12/325
CPC F21S 6/00; F21S 6/002; F21V 1/00;
F21V 3/00; F21W 2131/30
See application file for complete search history.

(56) **References Cited**

U.S. PATENT DOCUMENTS

D276,750 S * 12/1984 Beaver D26/97
D309,887 S * 8/1990 Ninkovich D12/325

D326,873 S * 6/1992 Chang D12/325
D386,255 S * 11/1997 Ying-teng D26/97
D392,696 S * 3/1998 Johnson D12/325
D397,488 S * 8/1998 Ball D26/97
D408,466 S * 4/1999 Mintchenko D21/447
D678,422 S * 3/2013 Thompson D12/325

* cited by examiner

Primary Examiner — Brian N Vinson

(74) *Attorney, Agent, or Firm* — Ladas & Parry LLP

(57) **CLAIM**

I claim the ornamental design for a lamp simulating a UFO, as shown and described.

DESCRIPTION

FIG. 1 is a front elevational view of a lamp simulating a UFO showing my new design;
FIG. 2 is a top plan view thereof;
FIG. 3 is a bottom plan view thereof;
FIG. 4 is a top perspective view thereof; and,
FIG. 5 is a bottom perspective view thereof.

1 Claim, 5 Drawing Sheets

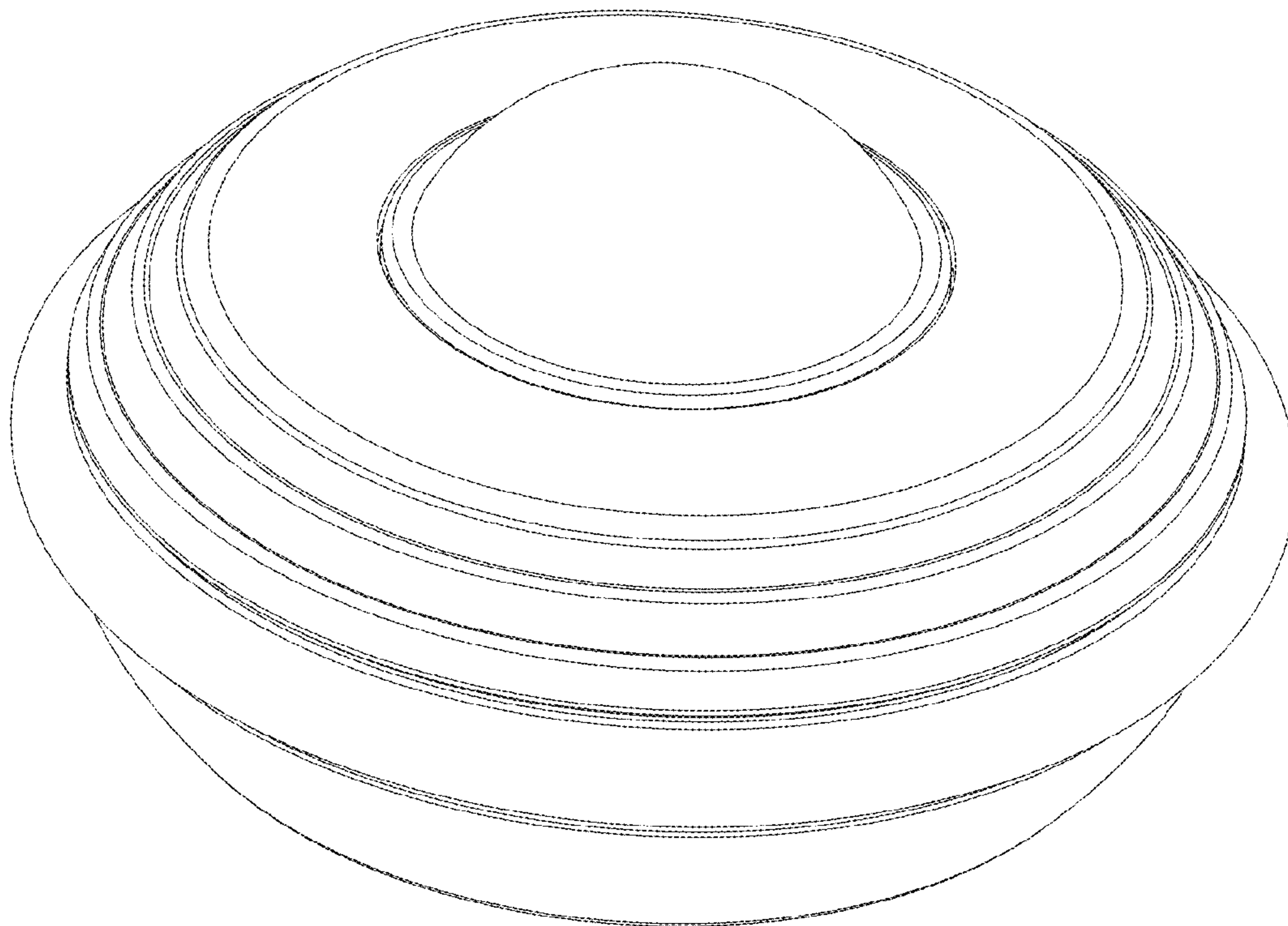


FIGURE 1

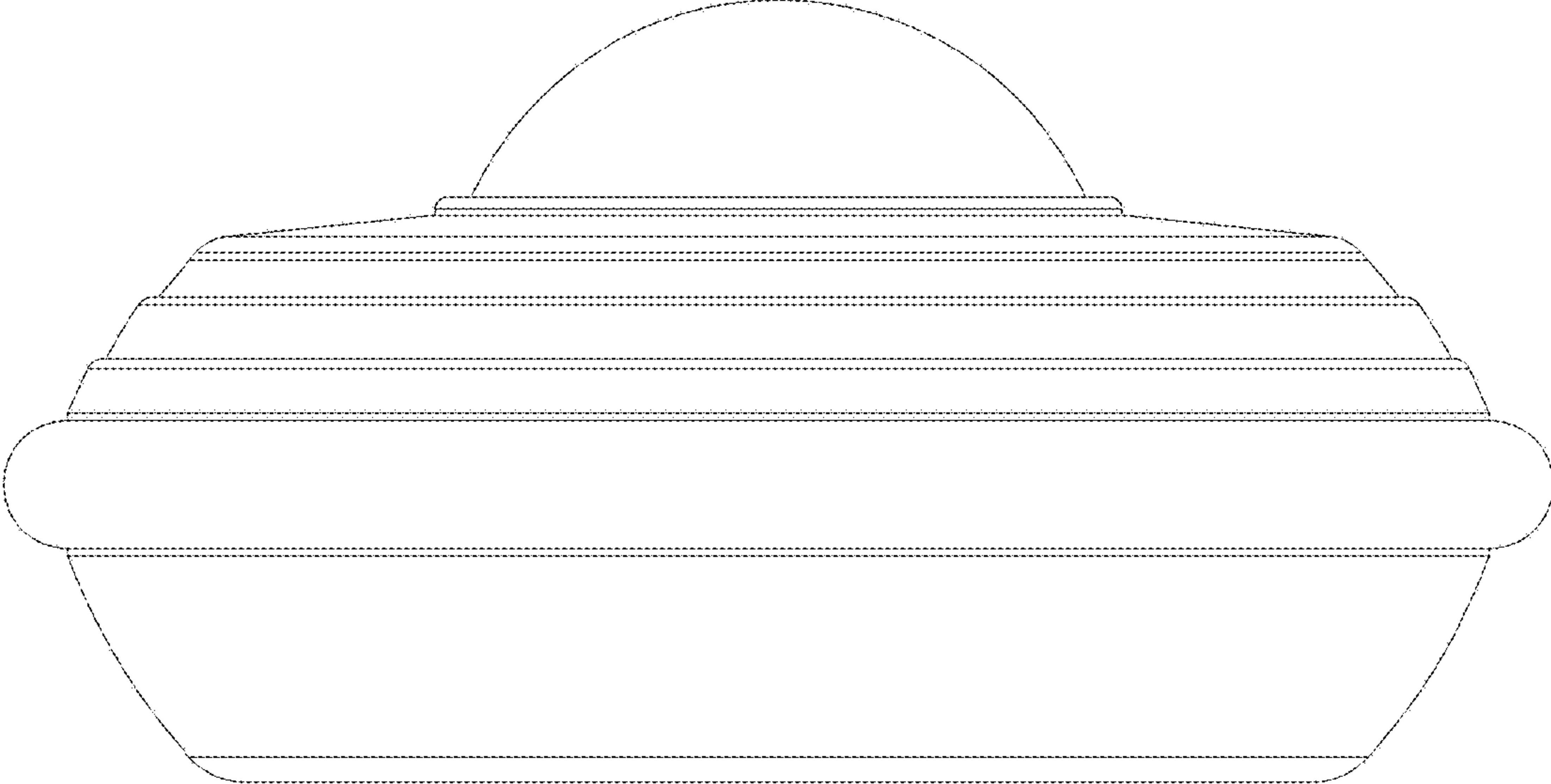


FIGURE 2

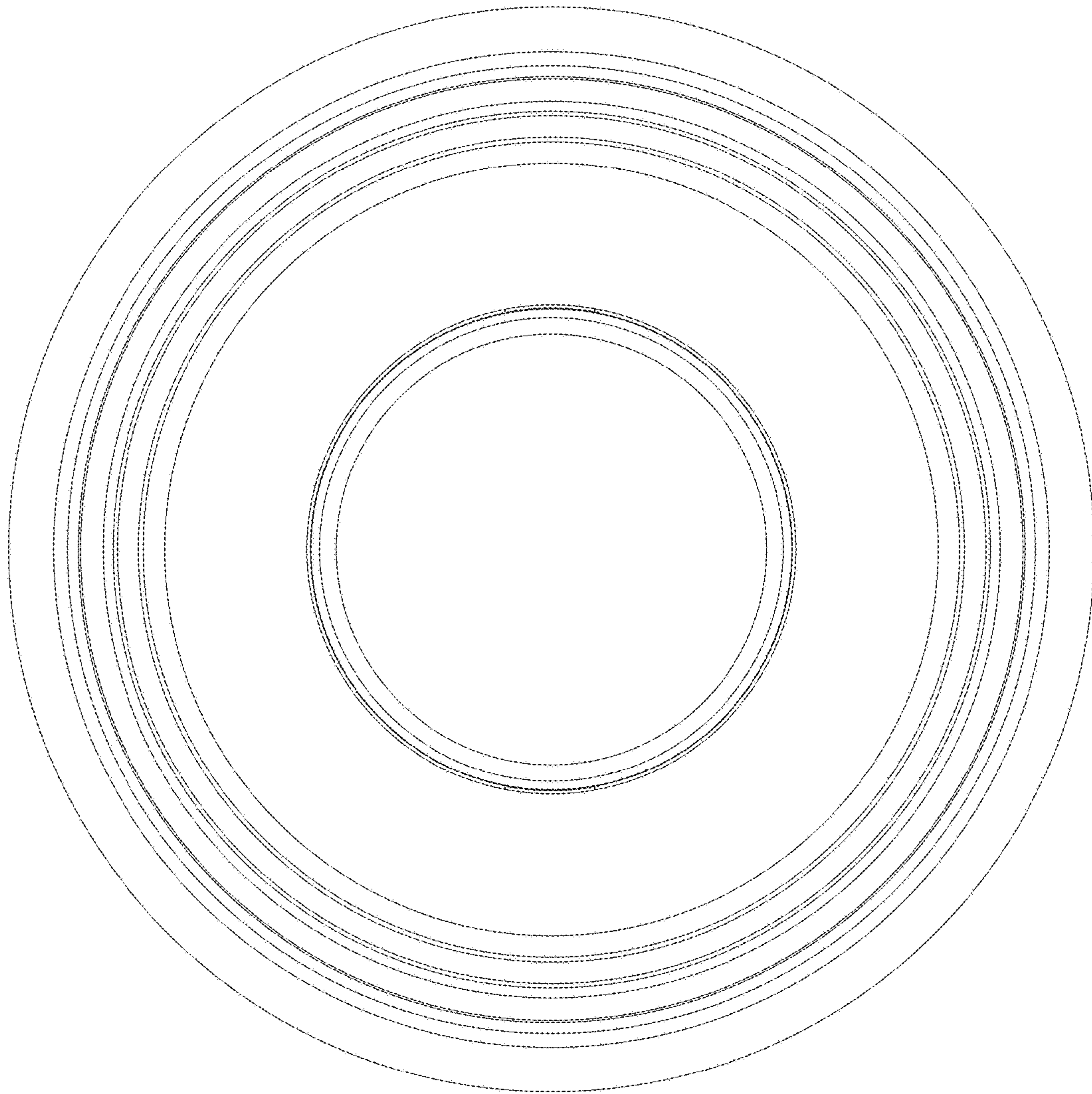


FIGURE 3

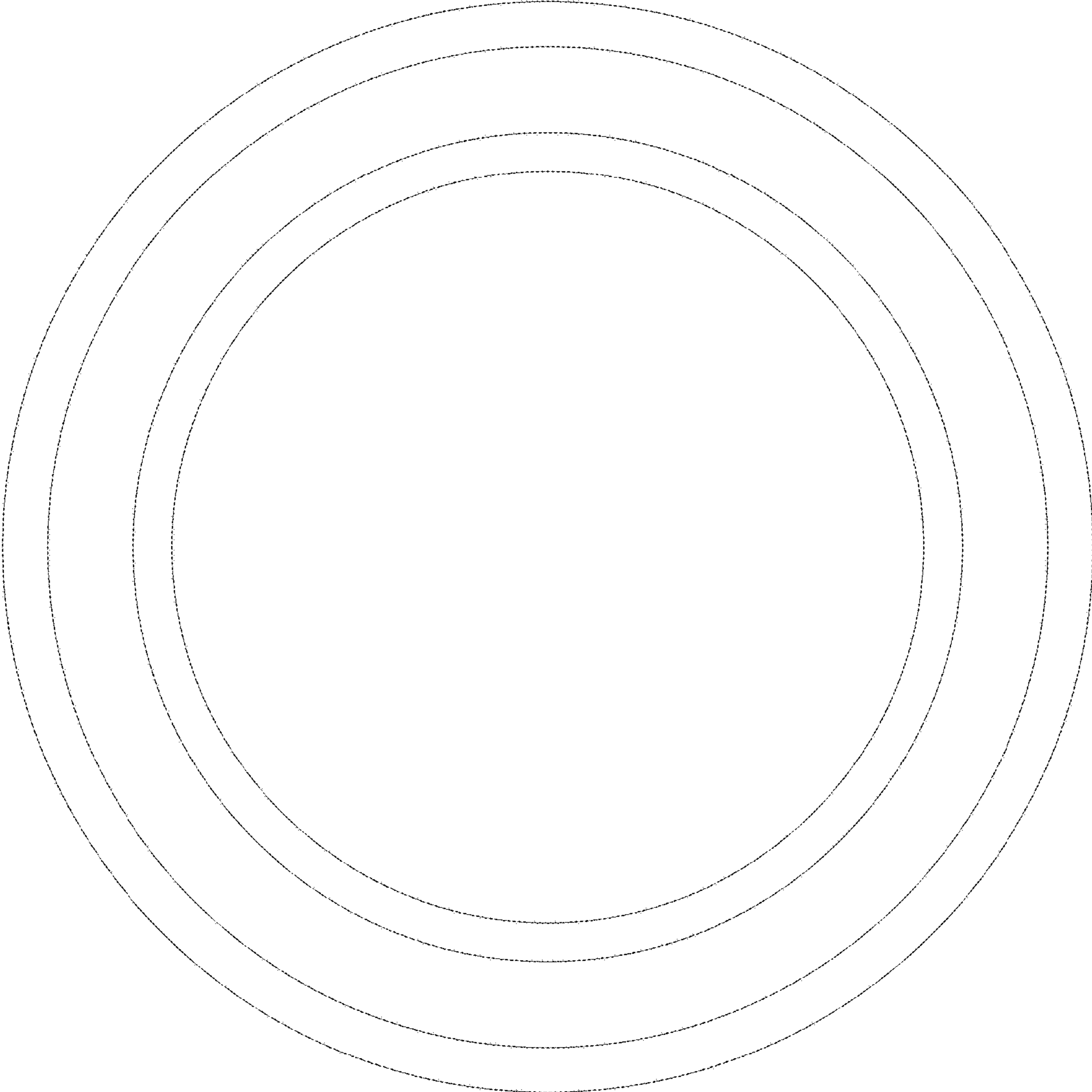


FIGURE 4

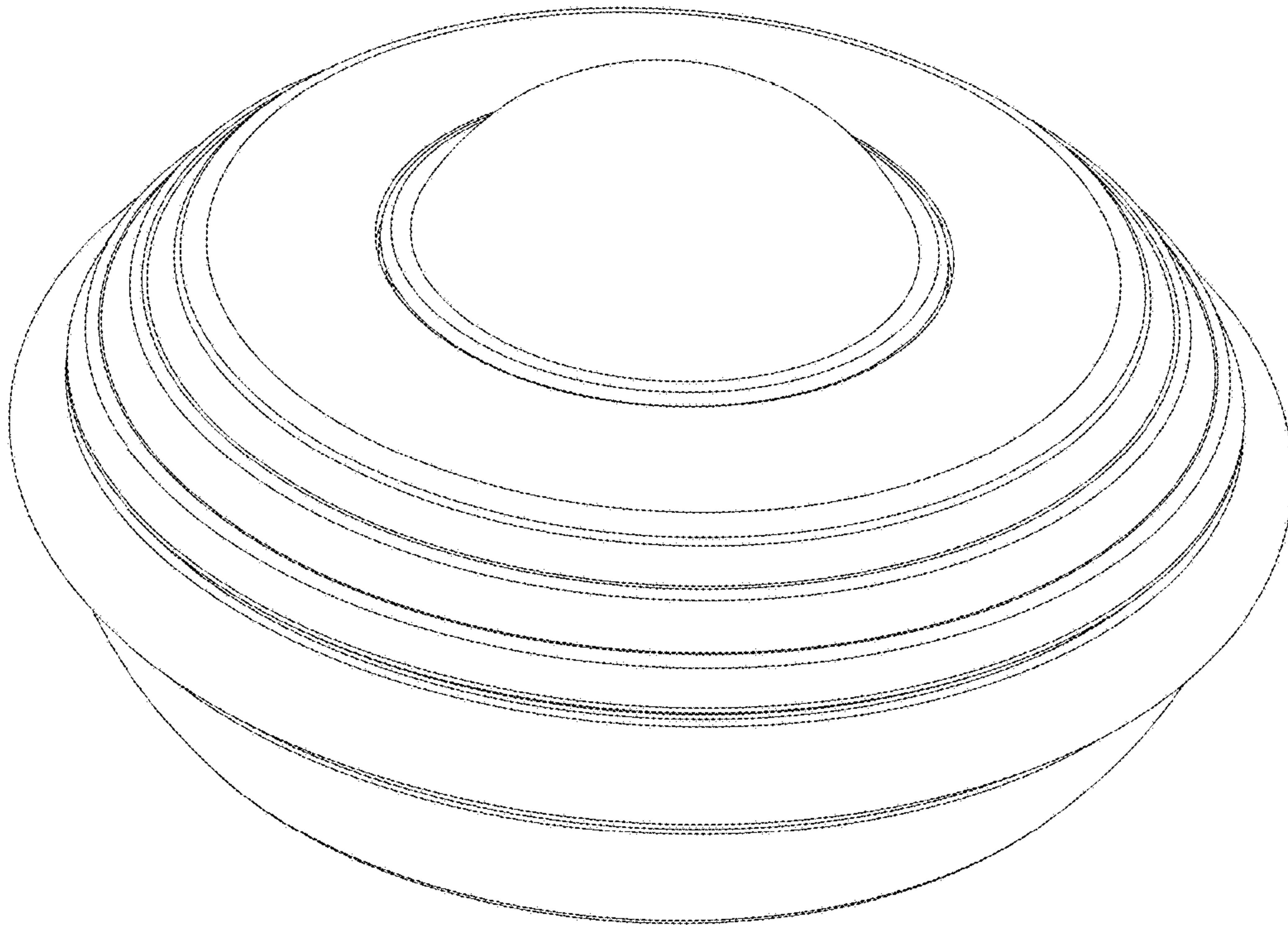


FIGURE 5

