



US00D779108S

(12) **United States Design Patent** (10) **Patent No.:** **US D779,108 S**  
**Olsen et al.** (45) **Date of Patent:** **\*\* Feb. 14, 2017**

(54) **ELECTRIC CANDLE**

(71) Applicant: **II Bere, LLC**, Vancouver, WA (US)

(72) Inventors: **Christina Olsen**, Vancouver, WA (US);  
**Brian Olsen**, Vancouver, WA (US);  
**Marnette Wilcox**, Vancouver, WA  
(US); **Scott Wilcox**, Vancouver, WA  
(US)

(\*\*) Term: **15 Years**

(21) Appl. No.: **29/540,556**

(22) Filed: **Sep. 25, 2015**

(51) **LOC (10) Cl.** ..... **26-03**

(52) **U.S. Cl.**  
USPC ..... **D26/96**

(58) **Field of Classification Search**  
USPC ..... D26/4, 5, 6, 7, 9, 96  
CPC ..... F21S 6/00; F21S 6/001; F21S 10/04;  
F21S 10/10; F21S 10/043; F21S  
8/08; F21S 48/115; F21V 21/00; F21V  
35/00; F21V 21/088; F21W  
2121/00; C11C 5/002; C11C 5/004

See application file for complete search history.

(56) **References Cited**

U.S. PATENT DOCUMENTS

|               |         |            |       |                        |
|---------------|---------|------------|-------|------------------------|
| D299,556 S *  | 1/1989  | Marshbanks | ..... | D26/96                 |
| 5,199,781 A * | 4/1993  | Sweeny     | ..... | F21V 21/088<br>362/145 |
| D406,379 S *  | 3/1999  | Andrews    | ..... | D26/96                 |
| D432,258 S *  | 10/2000 | Fussell    | ..... | D26/96                 |
| D757,335 S *  | 5/2016  | Li         | ..... | D26/96                 |

\* cited by examiner

*Primary Examiner* — Brian N Vinson  
(74) *Attorney, Agent, or Firm* — Baumgartner Patent  
Law; Marc Baumgartner

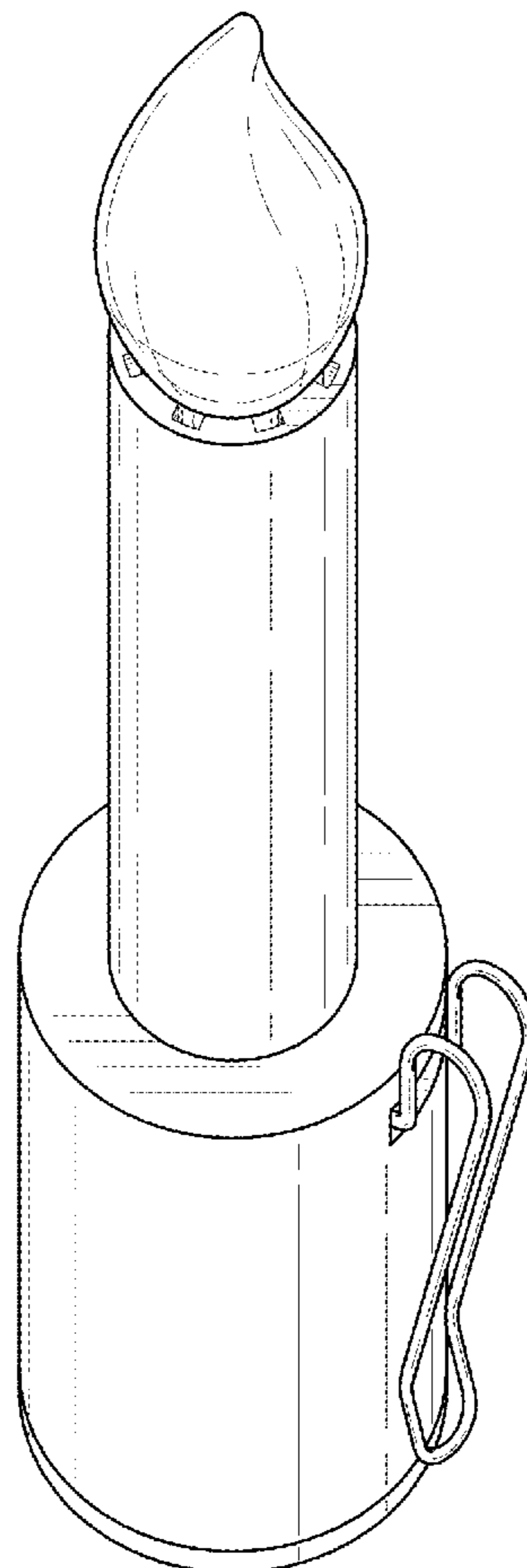
(57) **CLAIM**

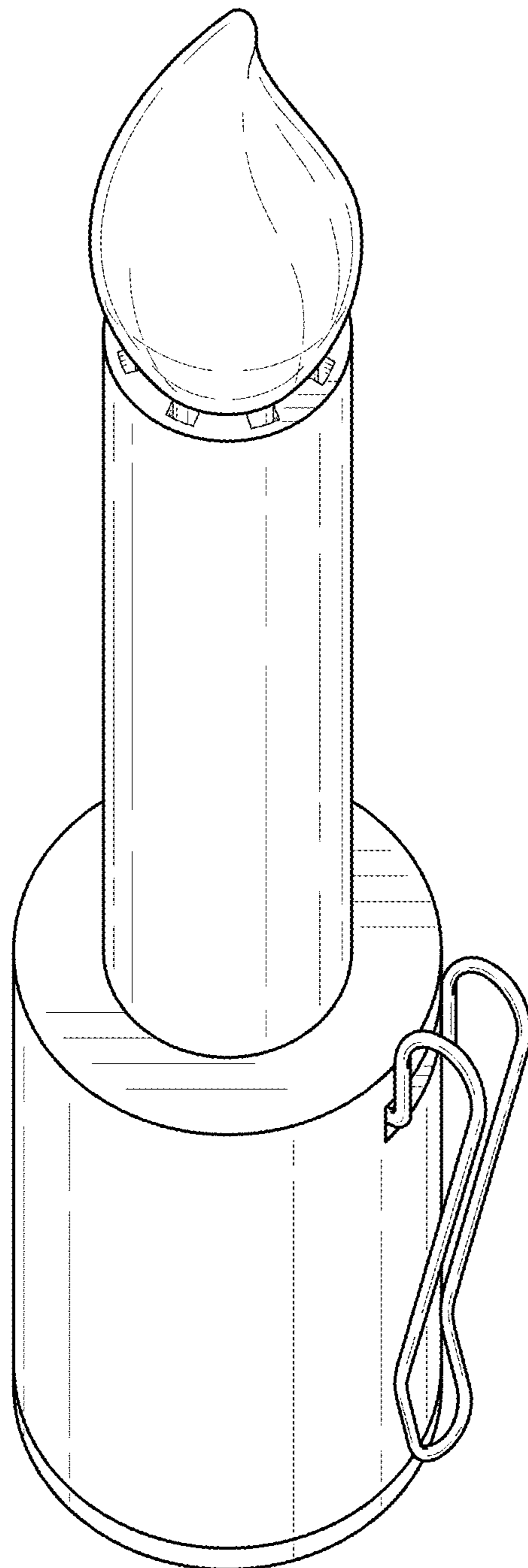
The ornamental design for an electric candle, as shown and described.

**DESCRIPTION**

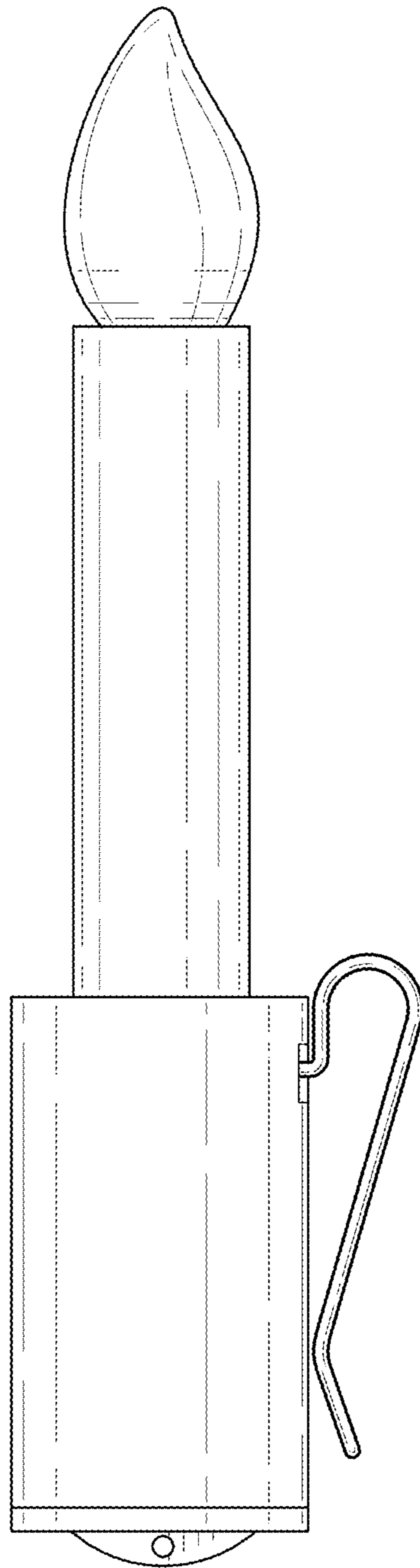
FIG. 1 is a perspective view of the electric candle.  
FIG. 2 is a left-side view of the electric candle (the right-side is a mirror image of this side).  
FIG. 3 is a front view of the electric candle.  
FIG. 4 is a rear view of the electric candle.  
FIG. 5 is a top view of the electric candle; and,  
FIG. 6 is a bottom view of the electric candle.

**1 Claim, 4 Drawing Sheets**

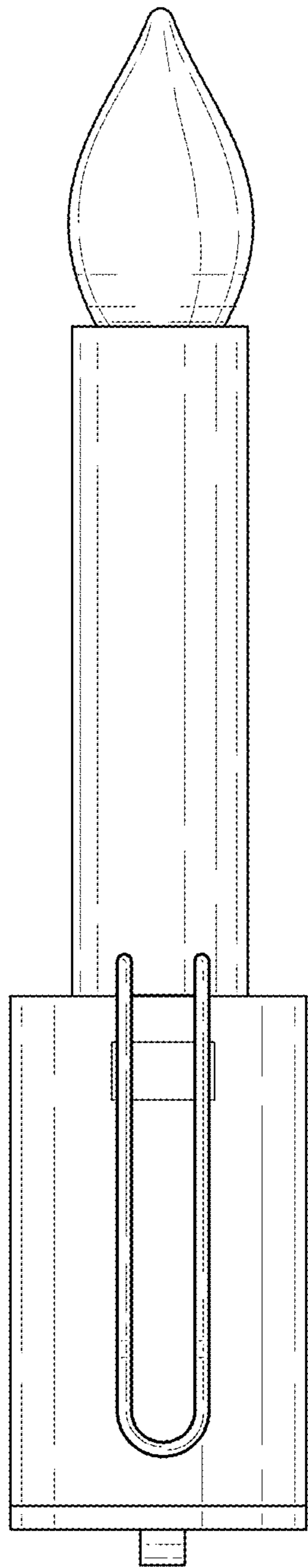




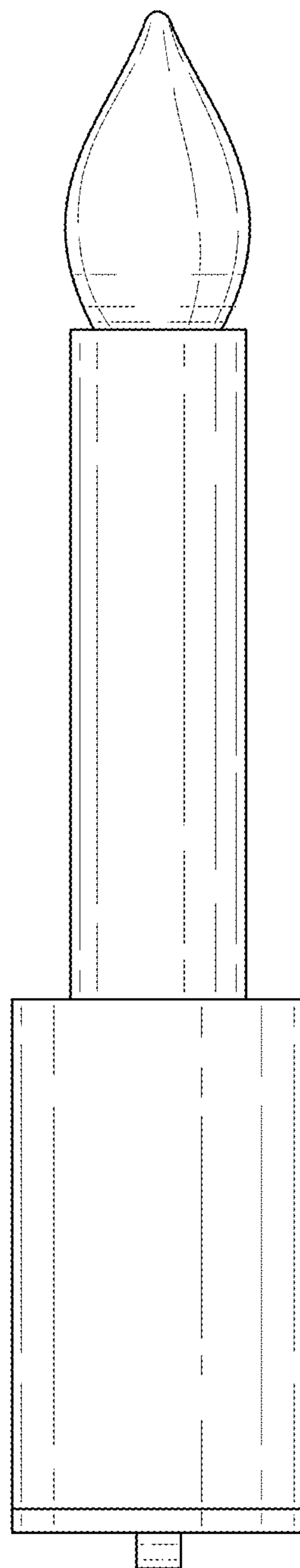
**FIG. 1**



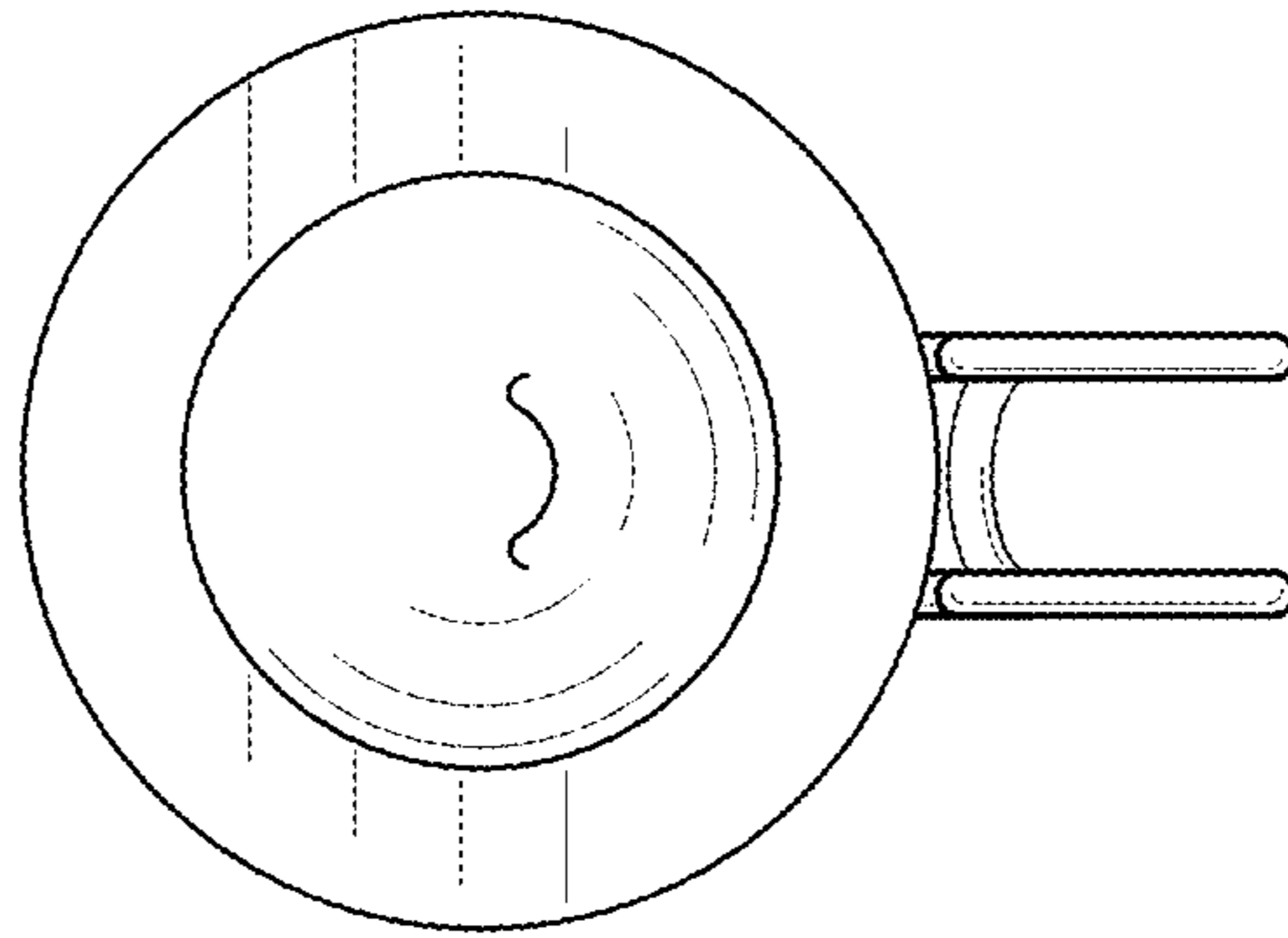
*FIG. 2*



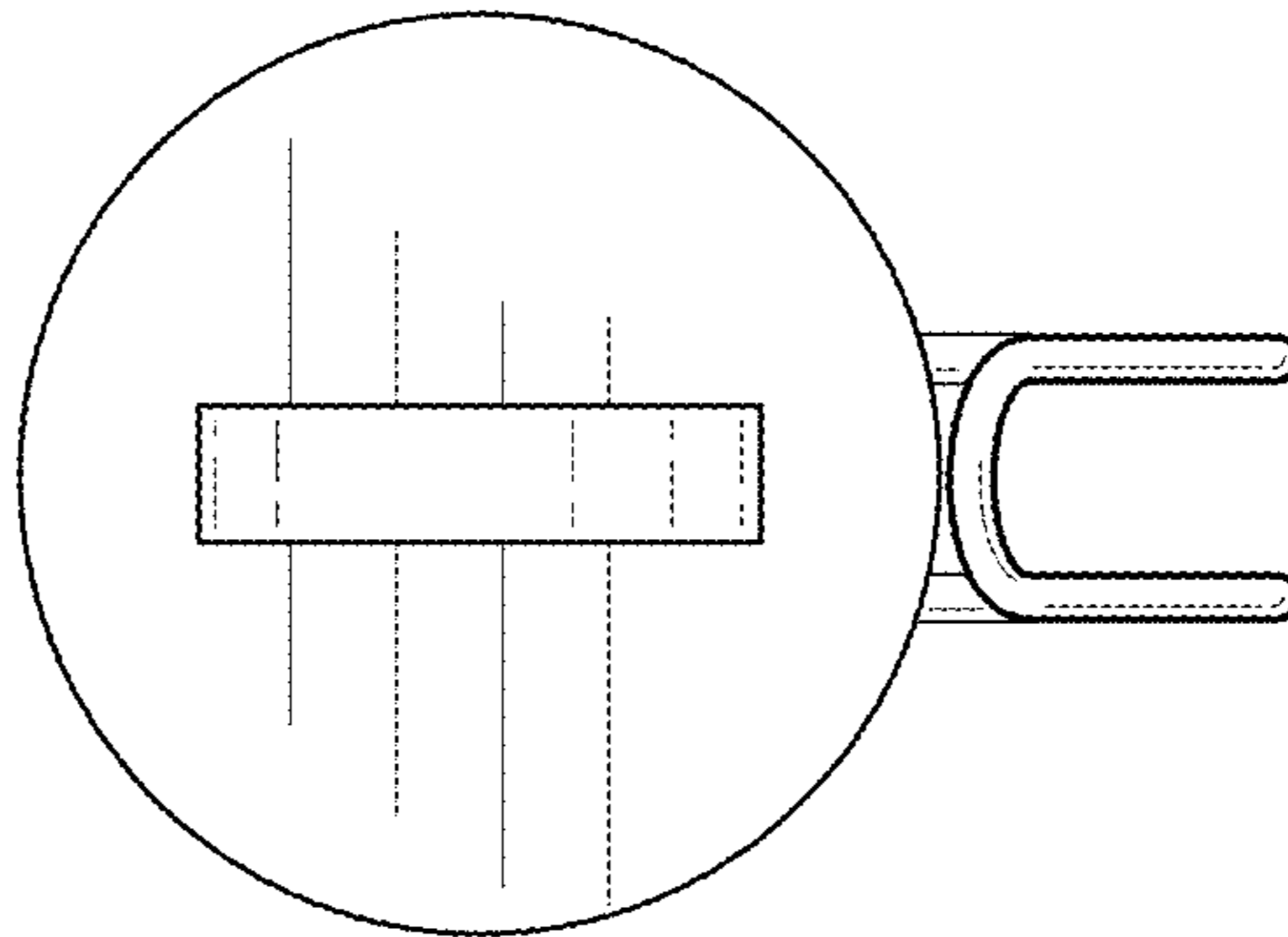
*FIG. 3*



*FIG. 4*



*FIG. 5*



*FIG. 6*