



US00D779107S

(12) **United States Design Patent** (10) **Patent No.:** **US D779,107 S**  
**Krueckeberg et al.** (45) **Date of Patent:** **\*\* Feb. 14, 2017**

(54) **LUMINAIRE**

(71) Applicant: **ZUMTOBEL LIGHTING GMBH,**  
Lemgo (DE)

(72) Inventors: **Lars Krueckeberg,** Berlin (DE);  
**Wolfram Putz,** Berlin (DE); **Thomas**  
**Willemeit,** Berlin (DE); **Felix Goetze,**  
Berlin (DE)

(73) Assignee: **ZUMTOBEL LIGHTING GMBH,**  
Lemgo (DE)

(\*\*) Term: **15 Years**

(21) Appl. No.: **29/552,657**

(22) Filed: **Jan. 25, 2016**

(30) **Foreign Application Priority Data**

Jul. 23, 2015 (EM) ..... 002 741 579

(51) **LOC (10) Cl.** ..... **26-03**

(52) **U.S. Cl.**  
USPC ..... **D26/91**

(58) **Field of Classification Search**  
USPC ..... D26/67, 70, 72, 82-86, 88-91, 118,  
D26/128, 129, 132  
CPC ..... F21S 8/06; F21S 8/061; F21S 8/063;  
F21S 8/065; F21S 8/068; F21V 3/0418;  
F21V 3/0427; F21V 3/0436; F21V  
3/0445; F21V 21/008; F21V 21/104  
See application file for complete search history.

(56) **References Cited**

U.S. PATENT DOCUMENTS

D155,064 S *	9/1949	Baker	.....	D26/86
D155,680 S *	10/1949	Baker	.....	D26/86
D328,650 S *	8/1992	Jones	.....	D26/81
D498,871 S *	11/2004	Benensohn	.....	D26/89
D656,264 S *	3/2012	Janssen	.....	D26/85
D730,570 S *	5/2015	Chen	.....	D26/128
D748,316 S *	1/2016	Sakurai	.....	D26/89
D748,842 S *	2/2016	Sakurai	.....	D26/89
D759,287 S *	6/2016	Chen	.....	D26/128
D769,509 S *	10/2016	Chen	.....	D26/89

\* cited by examiner

*Primary Examiner* — Clare E Heflin

(74) *Attorney, Agent, or Firm* — Scully, Scott, Murphy & Presser, P.C.

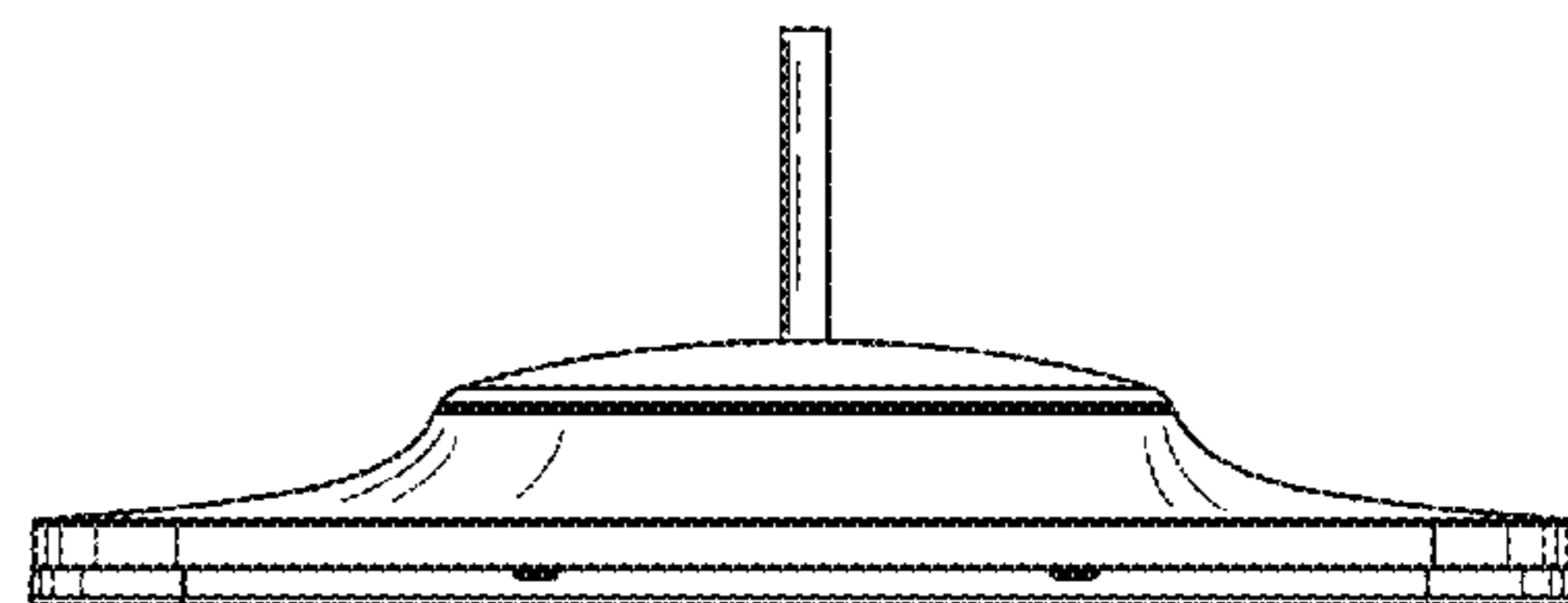
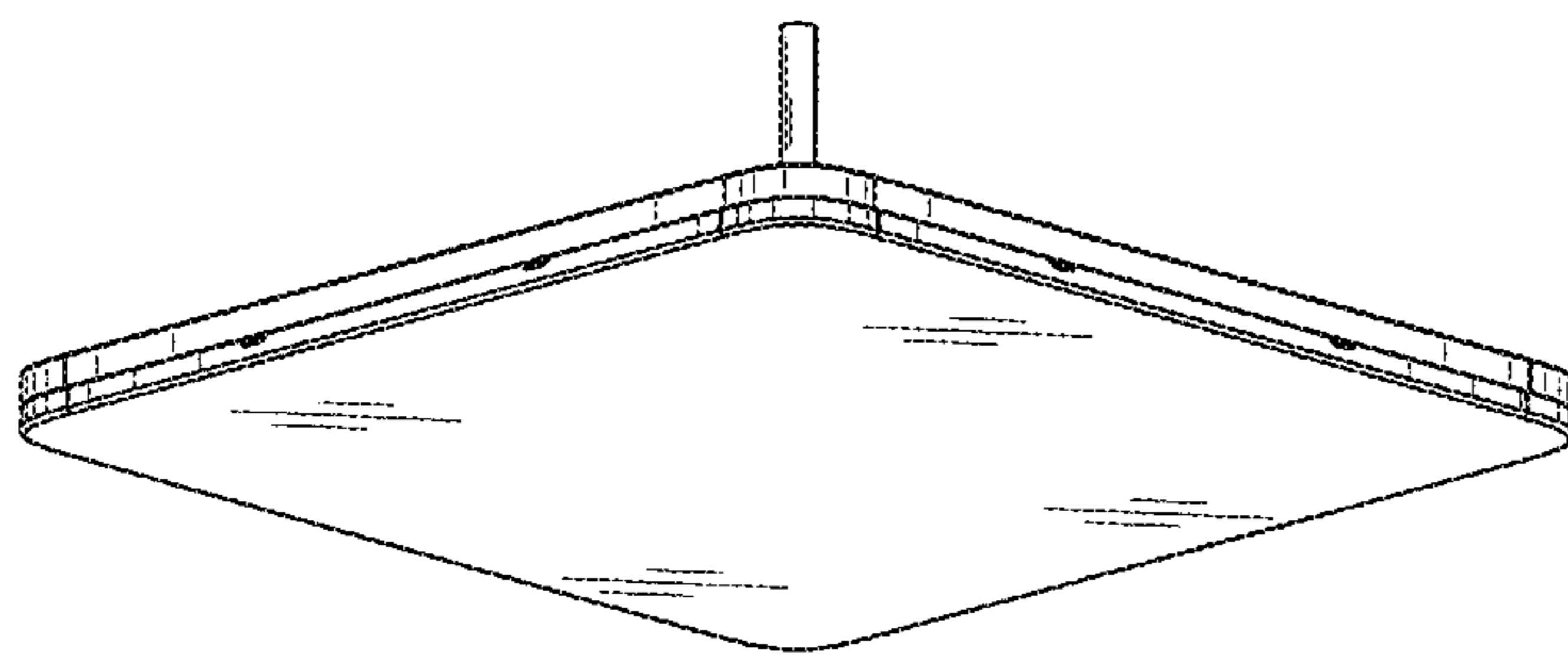
(57) **CLAIM**

The ornamental design for a luminaire, as shown and described.

**DESCRIPTION**

FIG. 1 illustrates a perspective view of the luminaire, showing our new and ornamental design;  
FIG. 2 illustrates a bottom thereof;  
FIG. 3 illustrates a top view thereof;  
FIG. 4 illustrates a side view thereof;  
FIG. 5 illustrates a side view thereof;  
FIG. 6 illustrates a side view thereof; and,  
FIG. 7 illustrates a side view thereof.

**1 Claim, 5 Drawing Sheets**



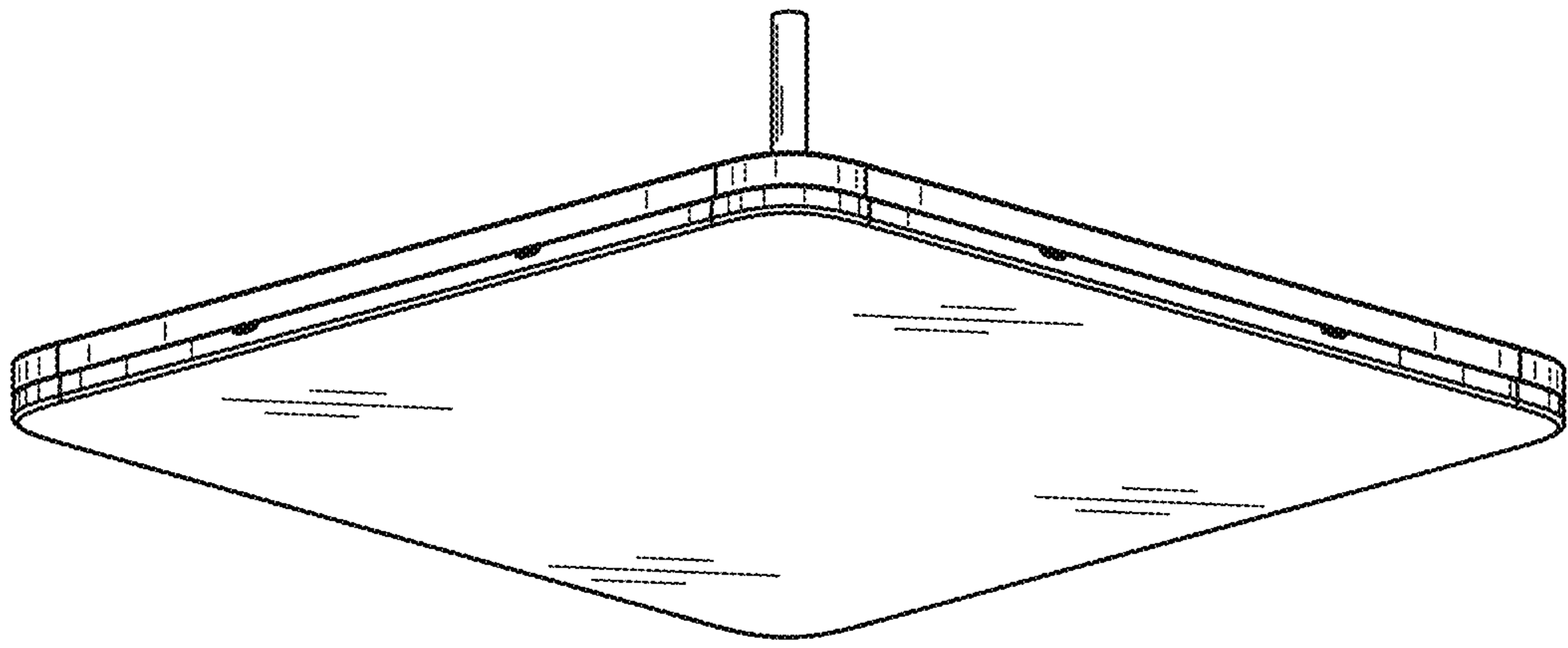


Fig. 1

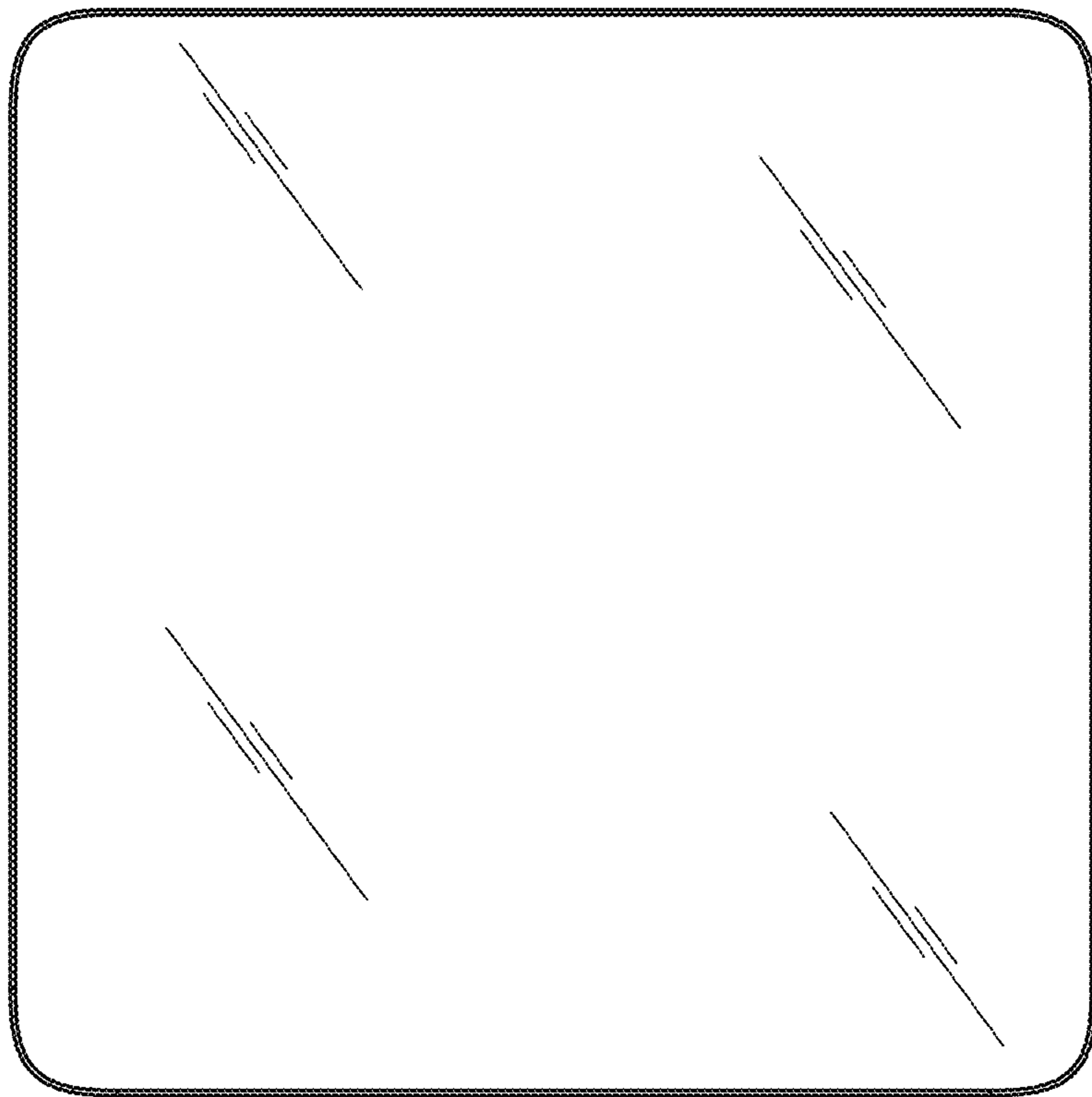


Fig. 2

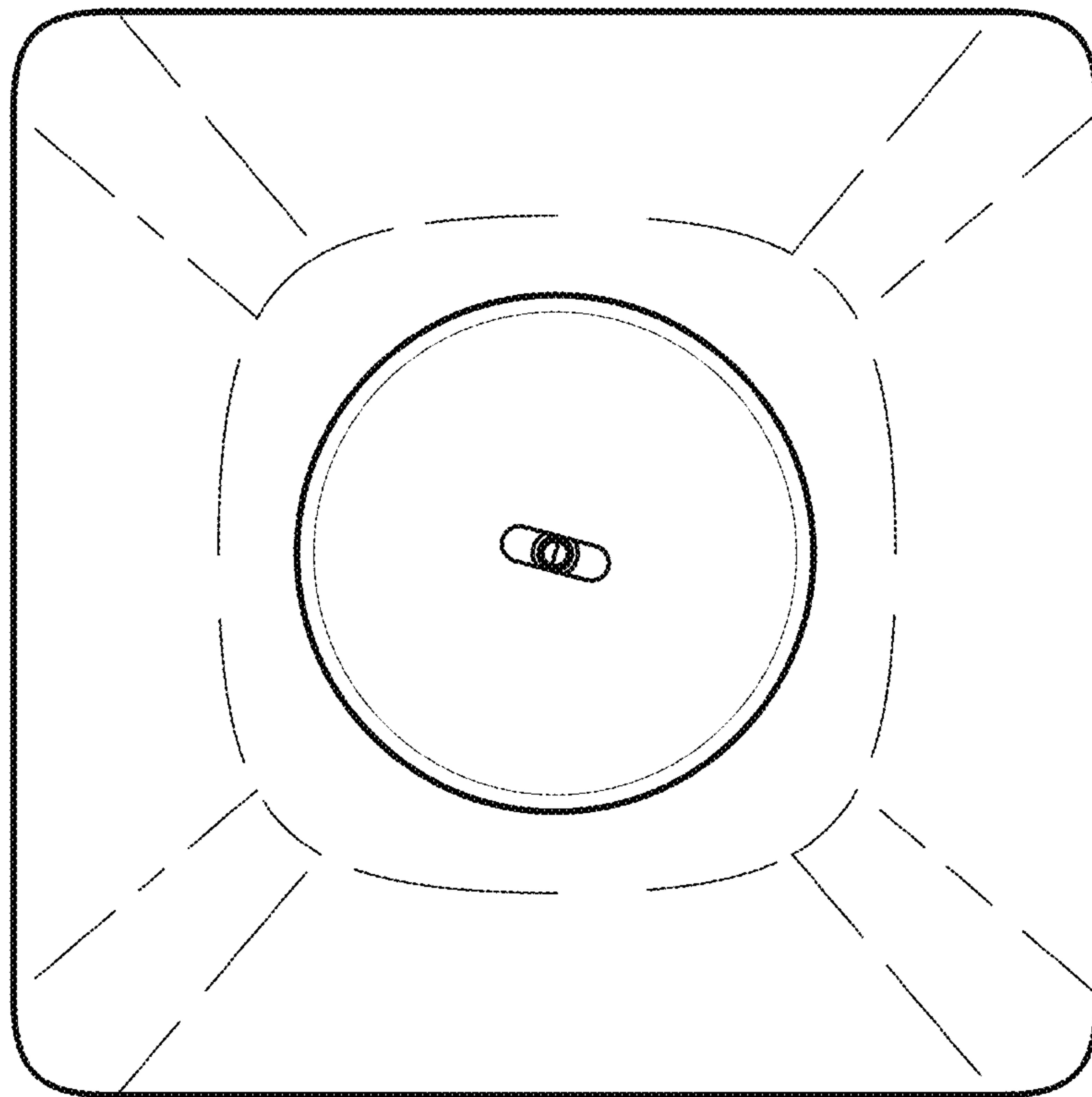


Fig. 3

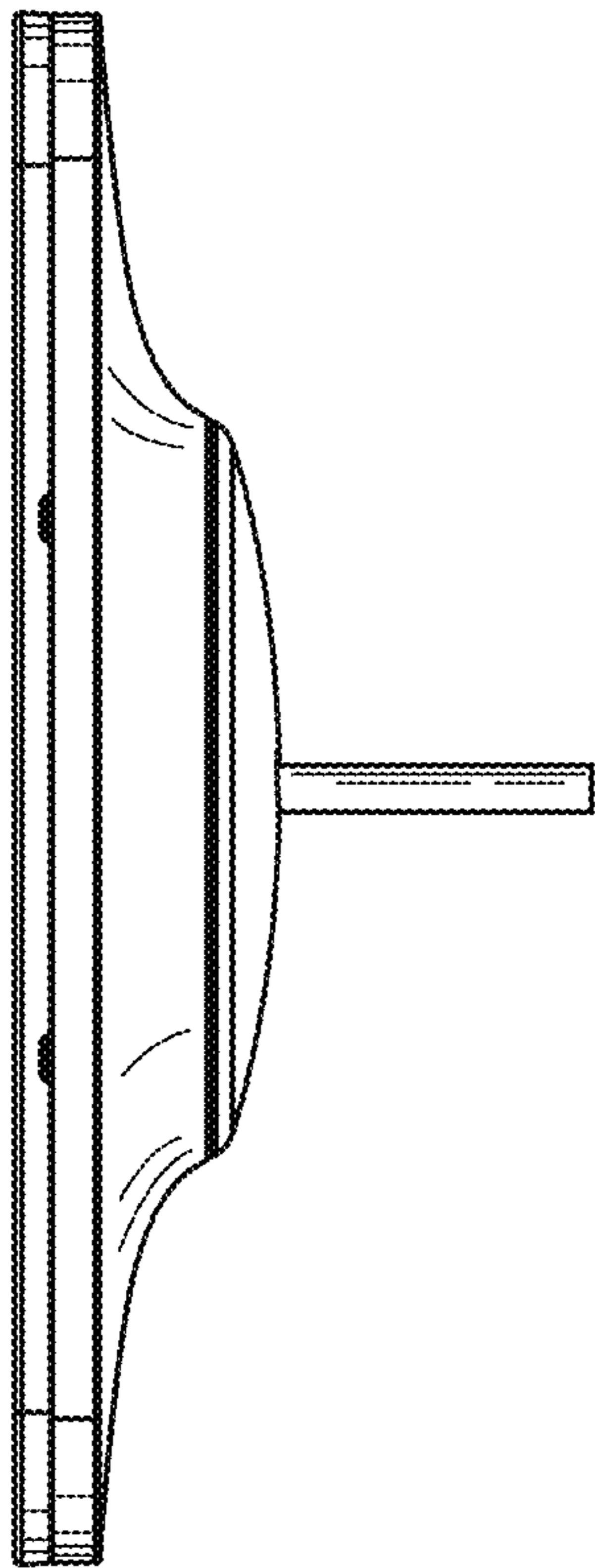


Fig. 4

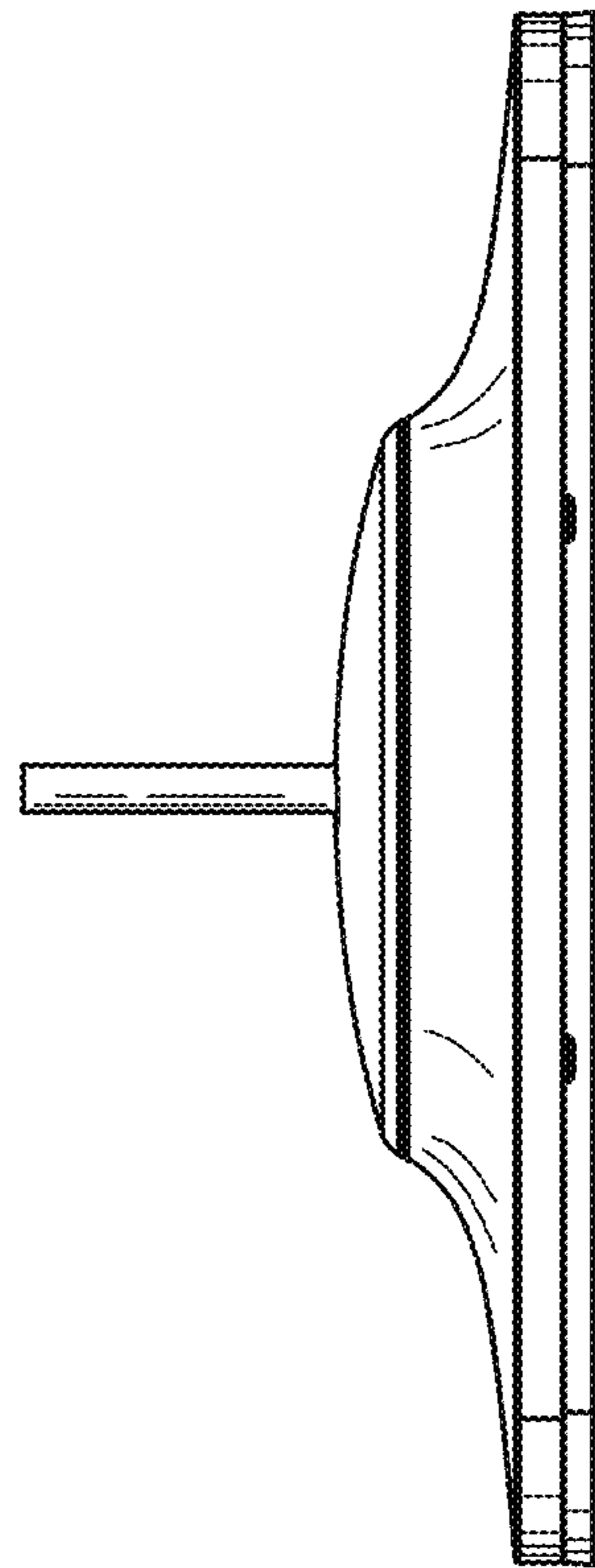


Fig. 5

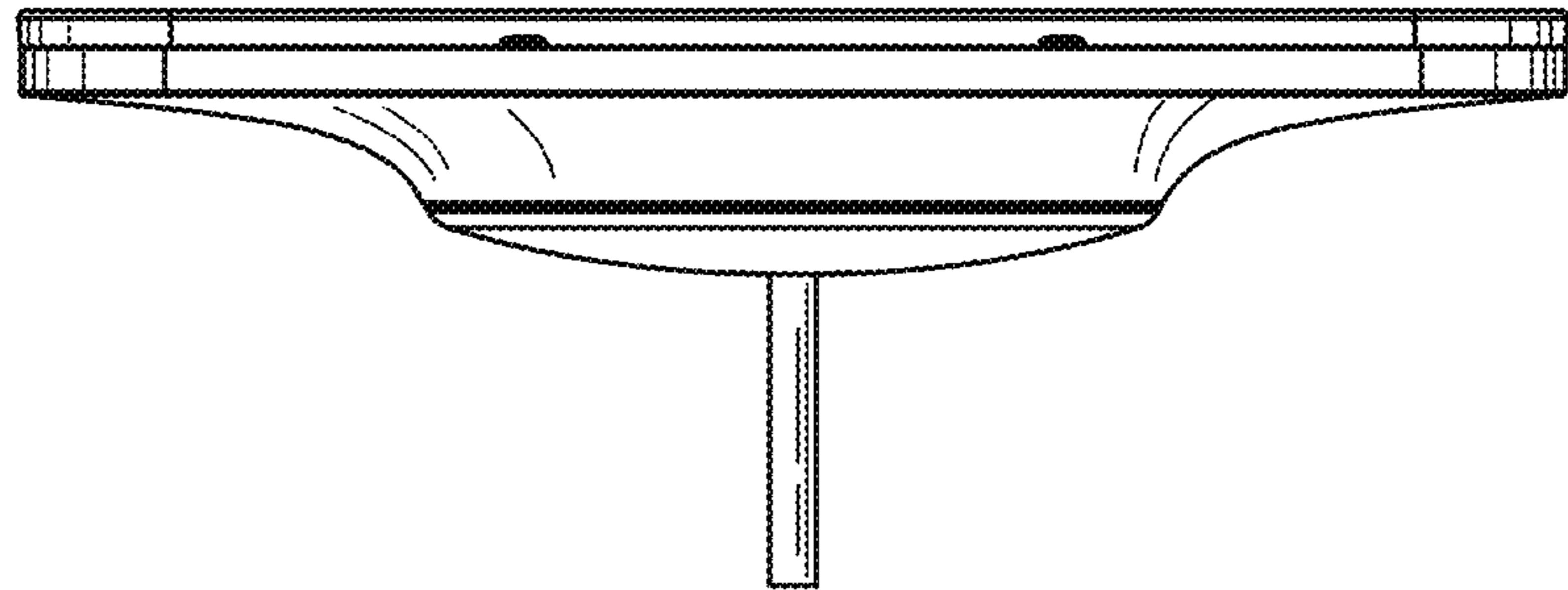


Fig. 6

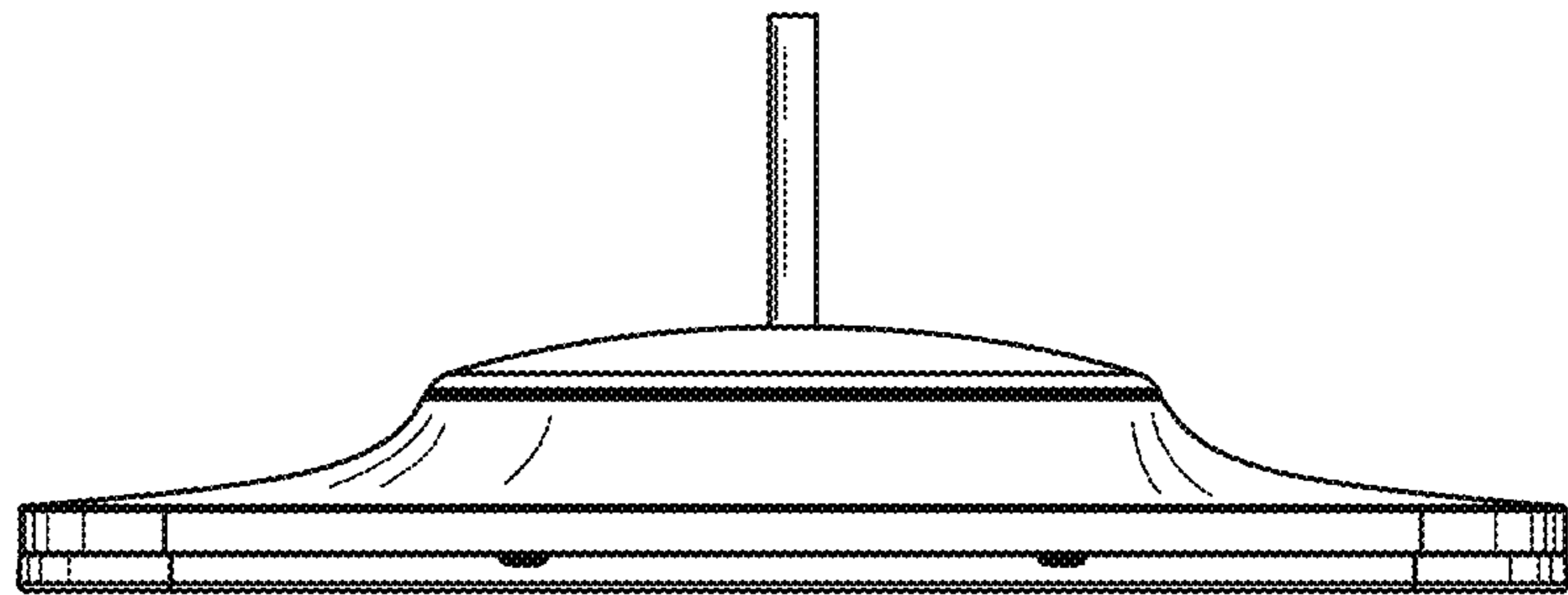


Fig. 7