



US00D779104S

(12) **United States Design Patent**
Krueckeberg et al.

(10) **Patent No.:** **US D779,104 S**

(45) **Date of Patent:** **** Feb. 14, 2017**

(54) **LUMINAIRE**

(71) Applicant: **ZUMTOBEL LIGHTING GMBH,**
Lemgo (DE)

(72) Inventors: **Lars Krueckeberg,** Berlin (DE);
Wolfram Putz, Berlin (DE); **Thomas**
Willemeit, Berlin (DE); **Felix Goetze,**
Berlin (DE)

(73) Assignee: **ZUMTOBEL LIGHTING GMBH,**
Lemgo (DE)

(**) Term: **15 Years**

(21) Appl. No.: **29/552,655**

(22) Filed: **Jan. 25, 2016**

(30) **Foreign Application Priority Data**

Jul. 23, 2015 (EM) 002 741 579

(51) **LOC (10) Cl.** **26-03**

(52) **U.S. Cl.**
USPC **D26/88**

(58) **Field of Classification Search**
USPC D26/67, 70, 72, 82-86, 88-91, 118, 128,
D26/129, 132
CPC F21S 8/06; F21S 8/061; F21S 8/063;
F21S 8/065; F21S 8/068; F21V 3/0418;
F21V 3/0427; F21V 3/0436; F21V
3/0445; F21V 21/008; F21V 21/104
See application file for complete search history.

(56) **References Cited**

U.S. PATENT DOCUMENTS

D155,064 S * 9/1949 Baker D26/86
D155,680 S * 10/1949 Baker D26/86

D328,650 S * 8/1992 Jones D26/81
D341,442 S * 11/1993 Shapiro D26/118
D391,661 S * 3/1998 Pan D26/86
D498,871 S * 11/2004 Benensohn D26/89
D640,823 S * 6/2011 Hokazono D26/89
D649,674 S * 11/2011 Sabernig D26/84
D656,264 S * 3/2012 Janssen D26/85
D662,645 S * 6/2012 Morgan D26/84
D663,470 S * 7/2012 Ruiz D26/88
8,841,834 B2 * 9/2014 Pickard F21S 8/02
313/501
D730,570 S * 5/2015 Chen D26/128
D748,316 S * 1/2016 Sakurai D26/89
D748,842 S * 2/2016 Sakurai D26/89
D755,433 S * 5/2016 Sonneman D26/84
D759,287 S * 6/2016 Chen D26/128
D769,509 S * 10/2016 Chen D26/89

* cited by examiner

Primary Examiner — Clare E Heflin

(74) *Attorney, Agent, or Firm* — Scully, Scott, Murphy &
Presser, P.C.

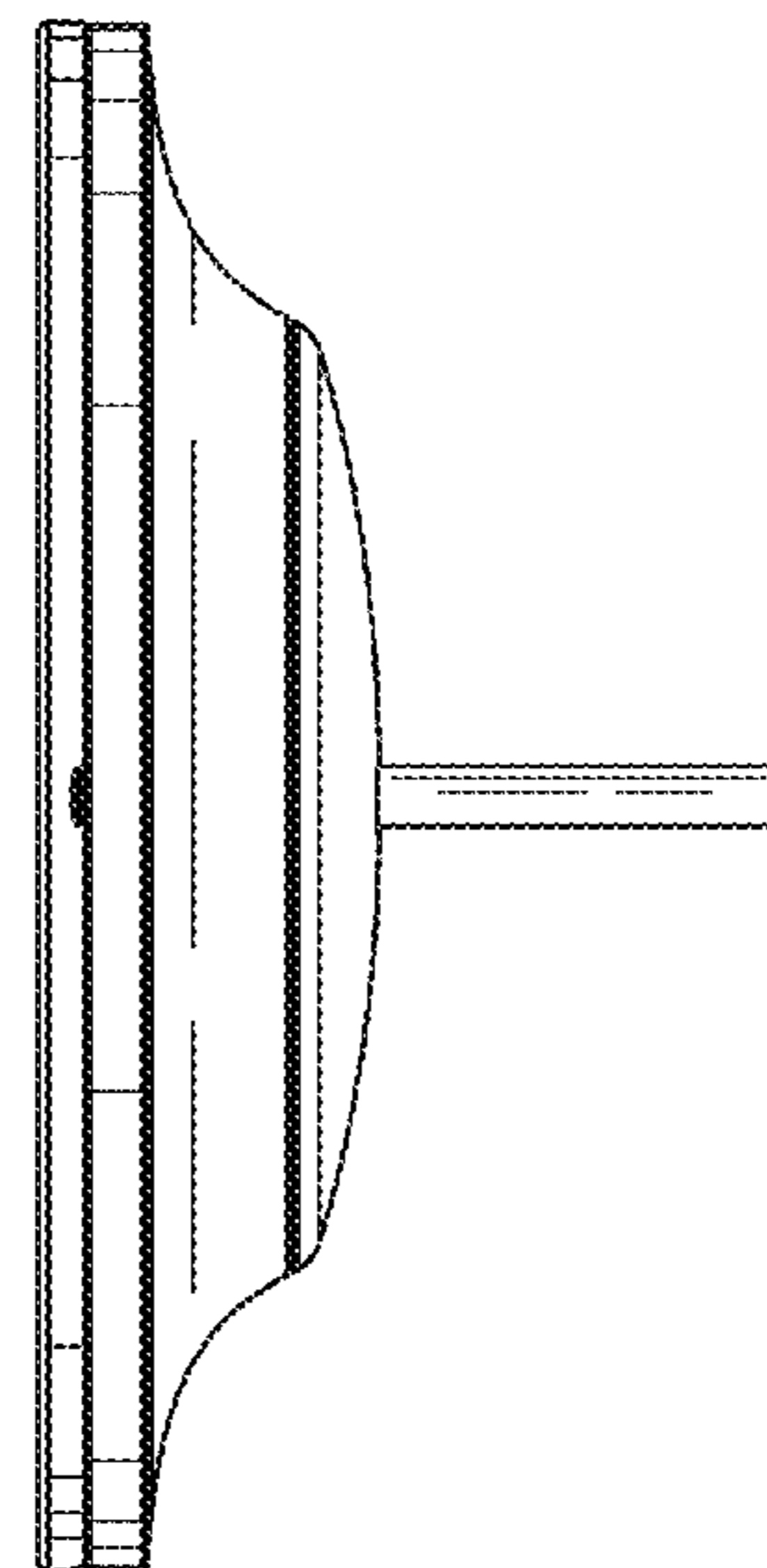
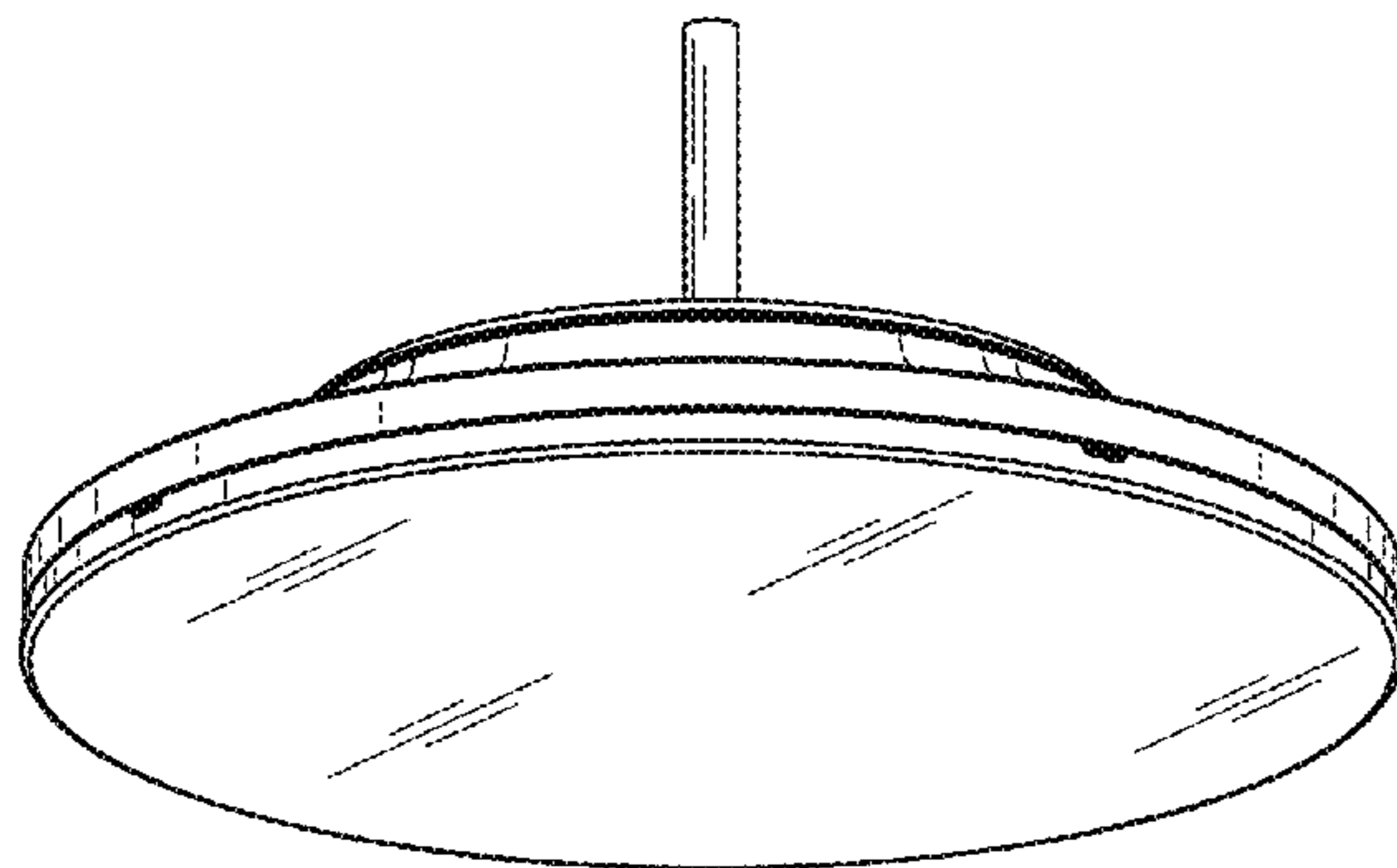
(57) **CLAIM**

The ornamental design for a luminaire, as shown and
described.

DESCRIPTION

FIG. 1 illustrates a perspective view of the luminaire,
showing our new and ornamental design;
FIG. 2 illustrates a bottom thereof;
FIG. 3 illustrates a top view thereof;
FIG. 4 illustrates a side view thereof;
FIG. 5 illustrates a side view thereof;
FIG. 6 illustrates a side view thereof; and,
FIG. 7 illustrates a side view thereof.

1 Claim, 5 Drawing Sheets



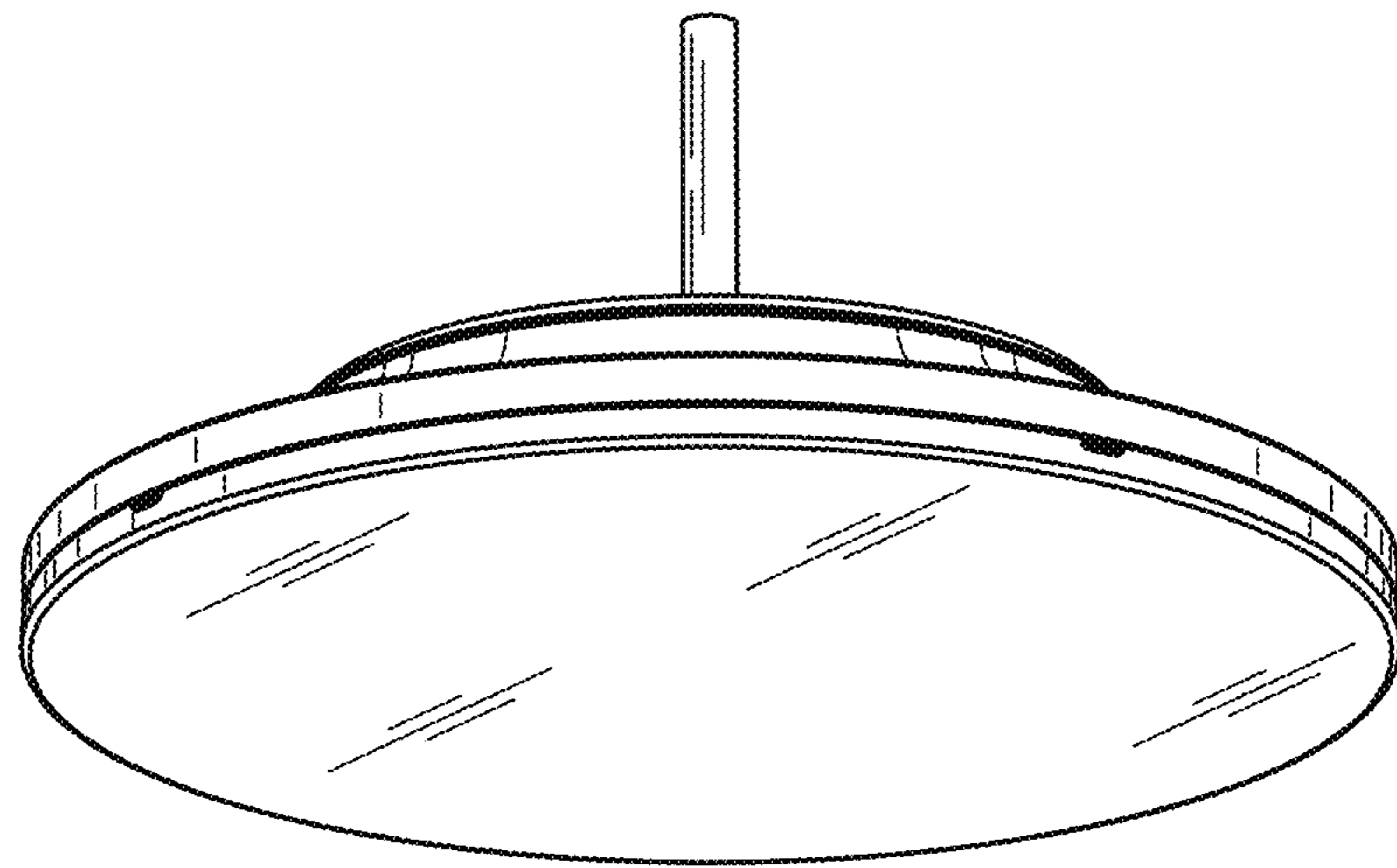


Fig. 1

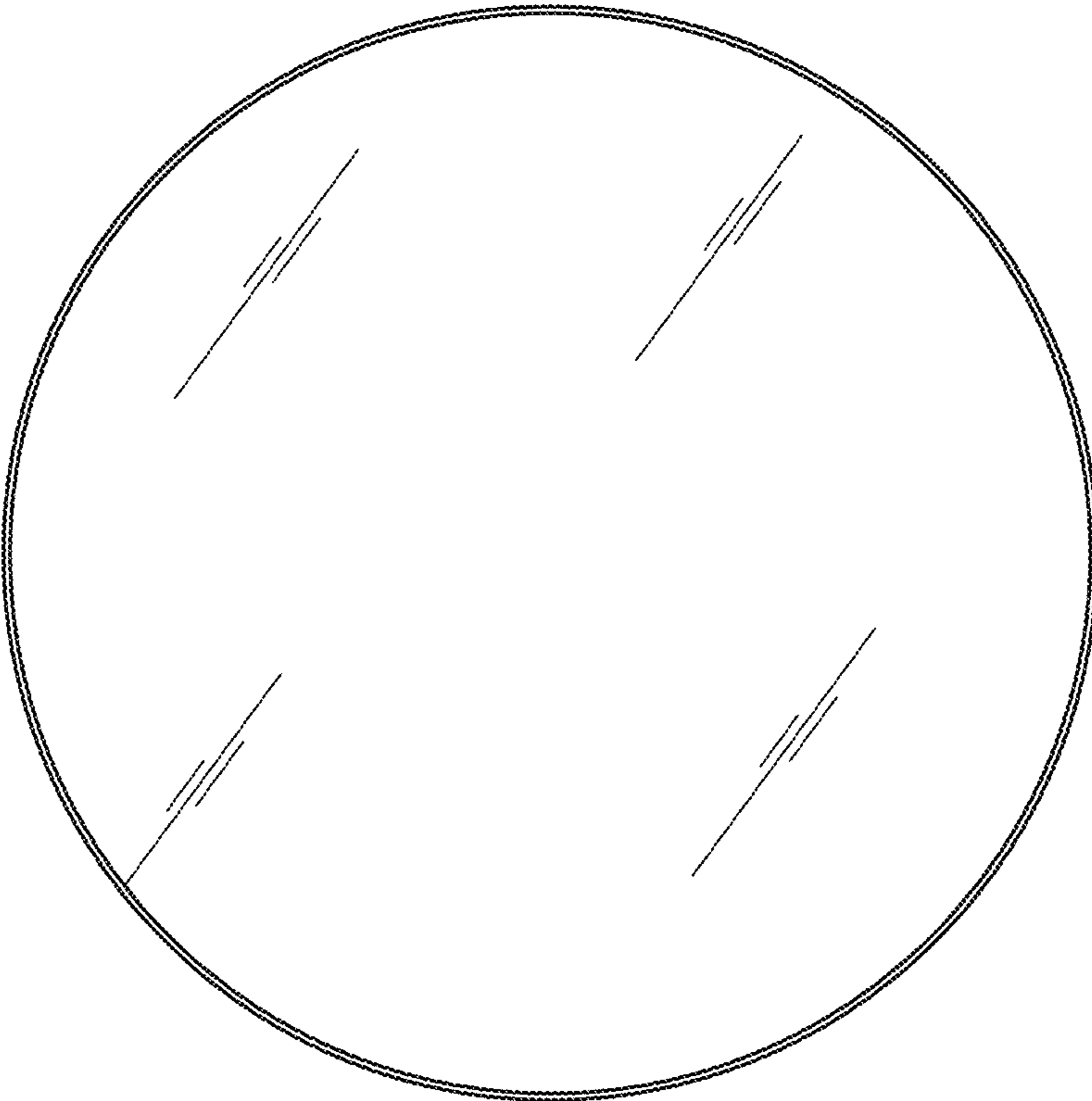


Fig. 2

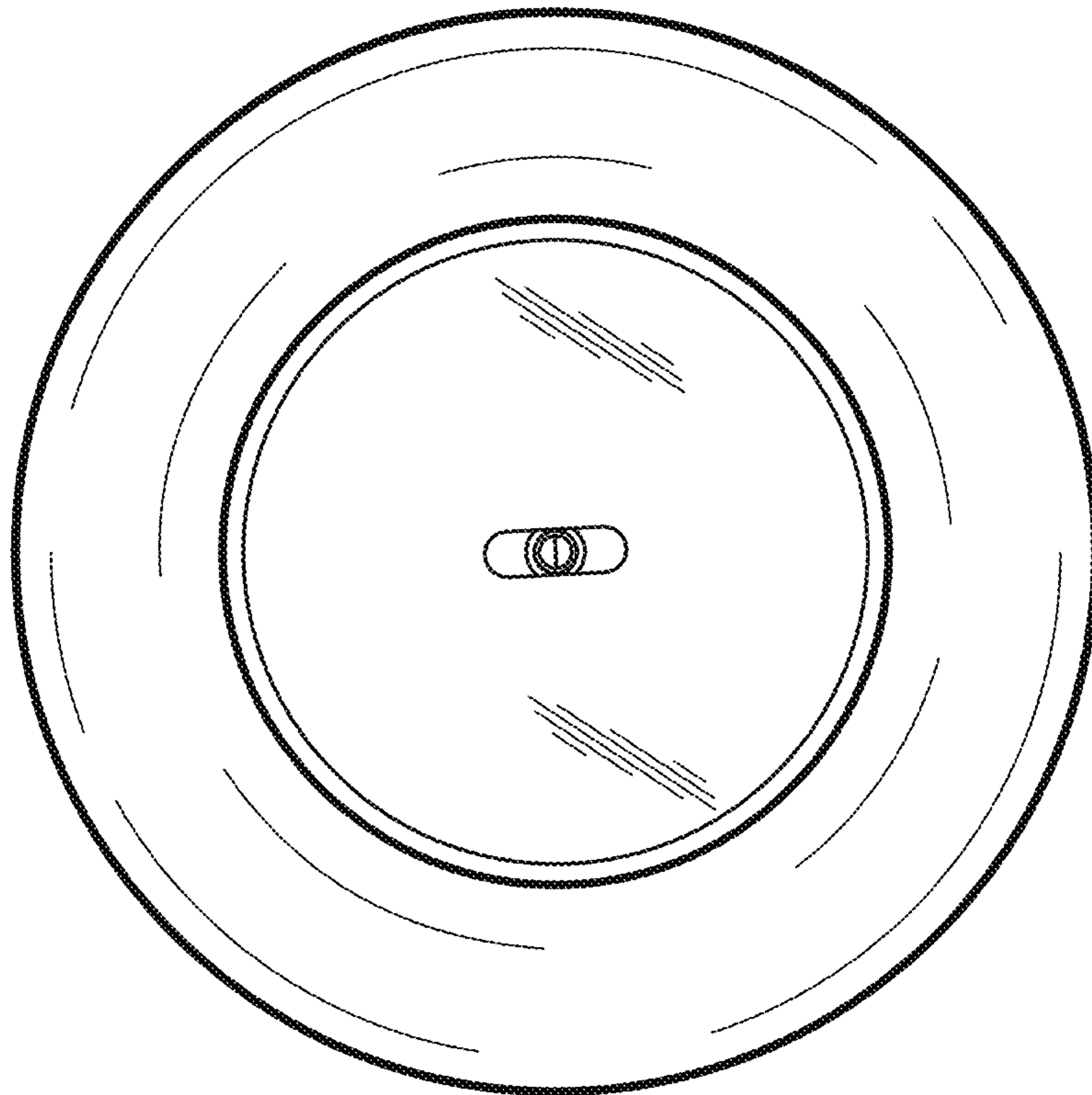


Fig. 3

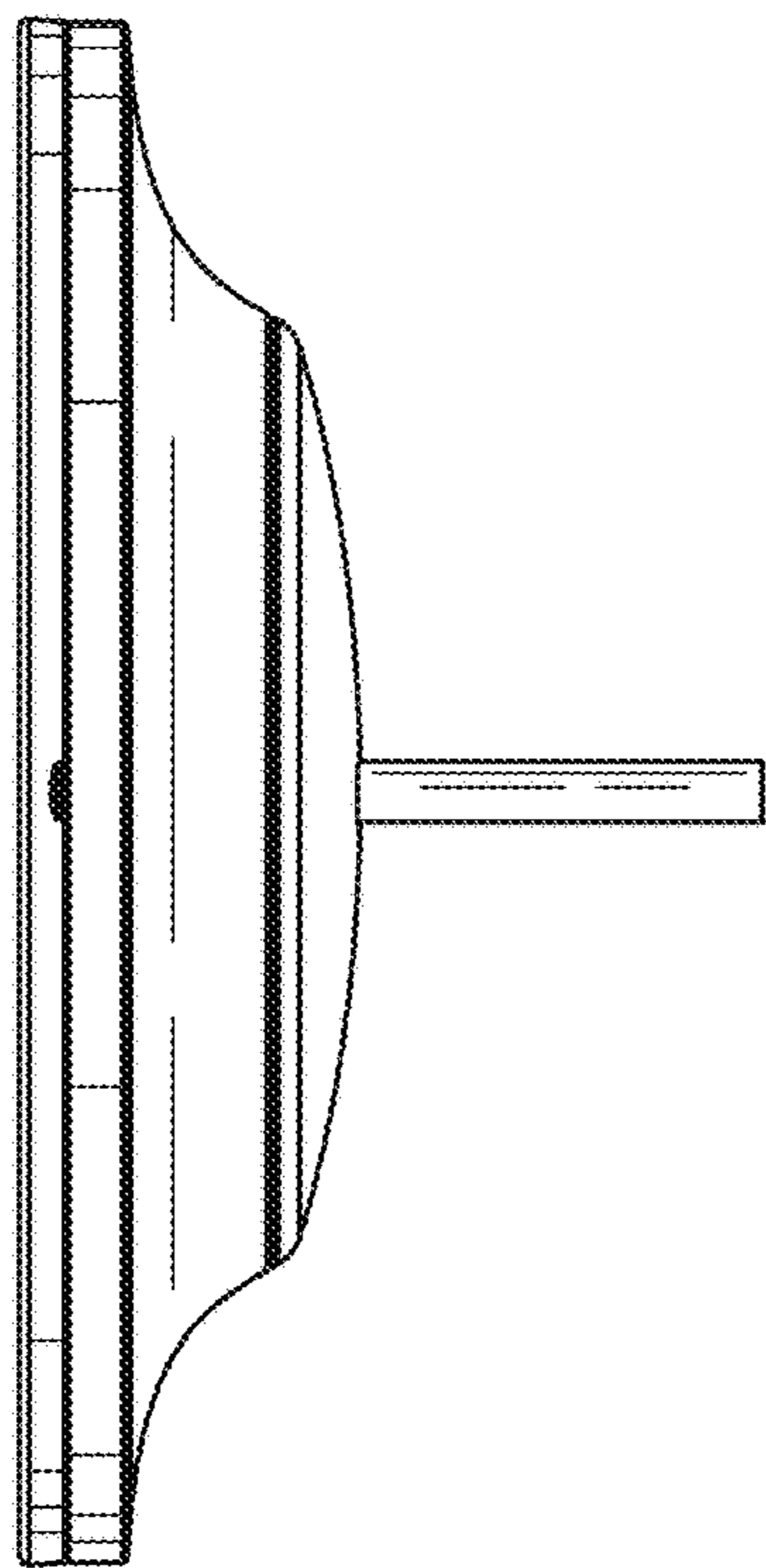


Fig. 4

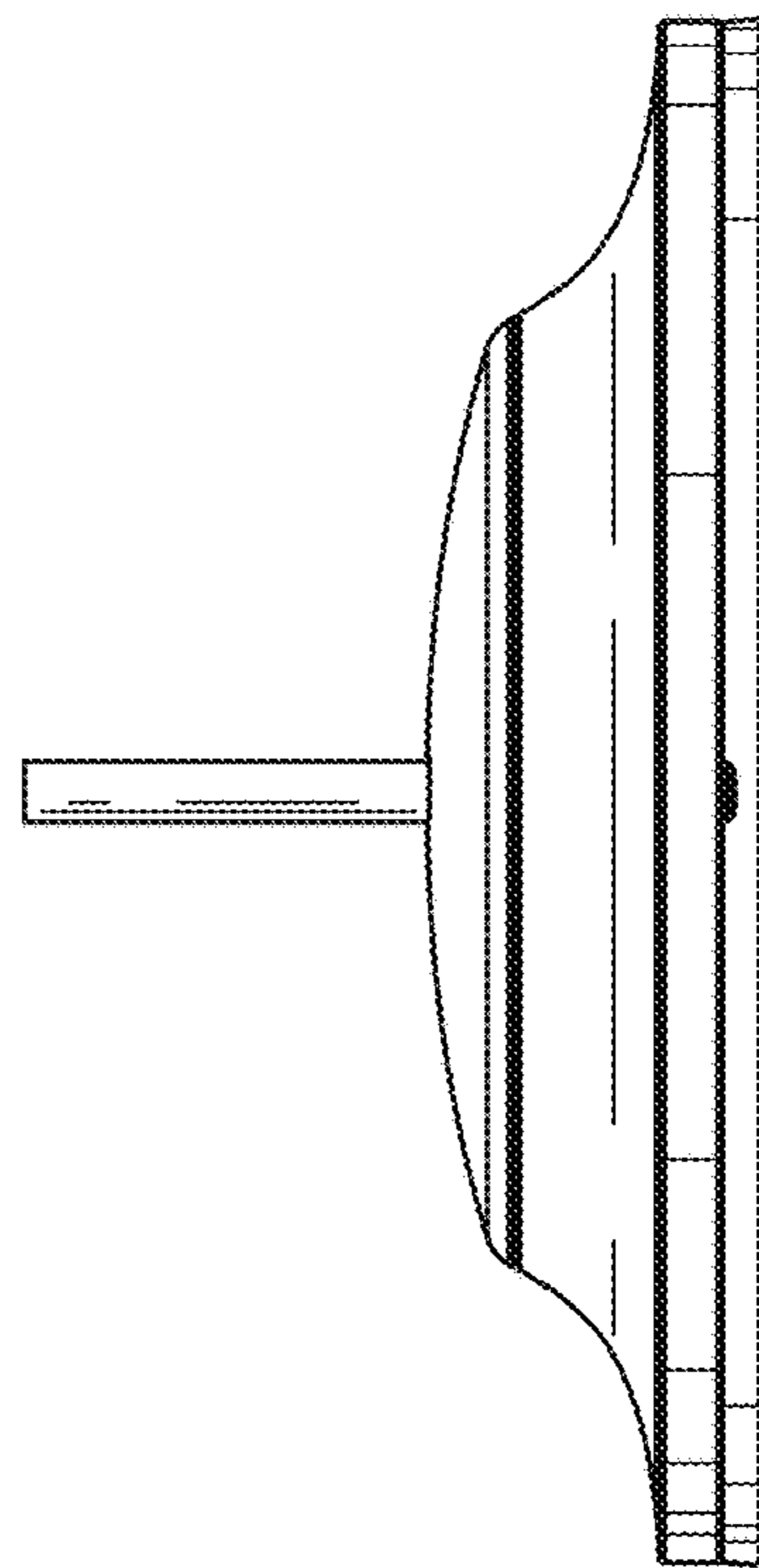


Fig. 5

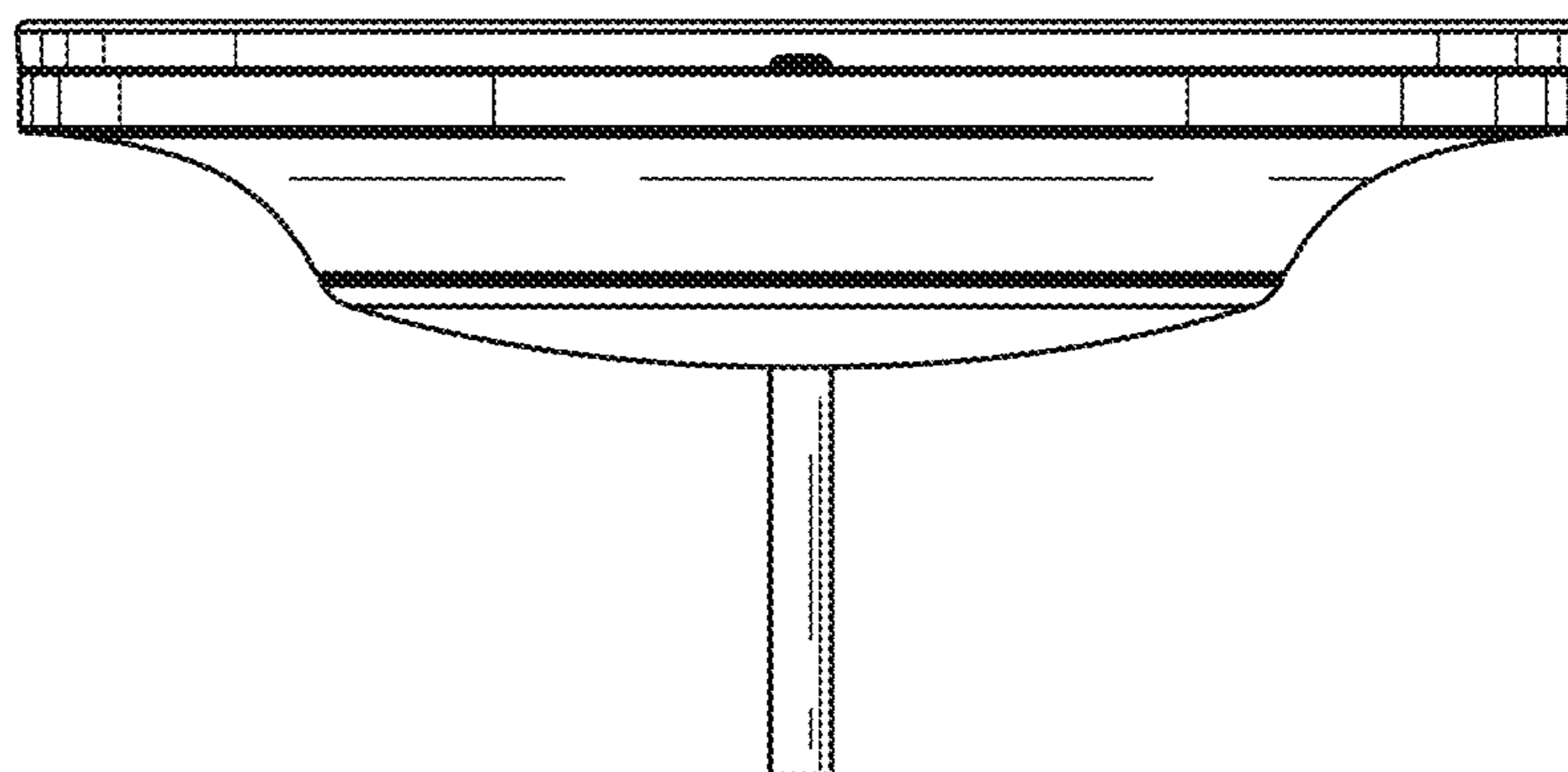


Fig. 6

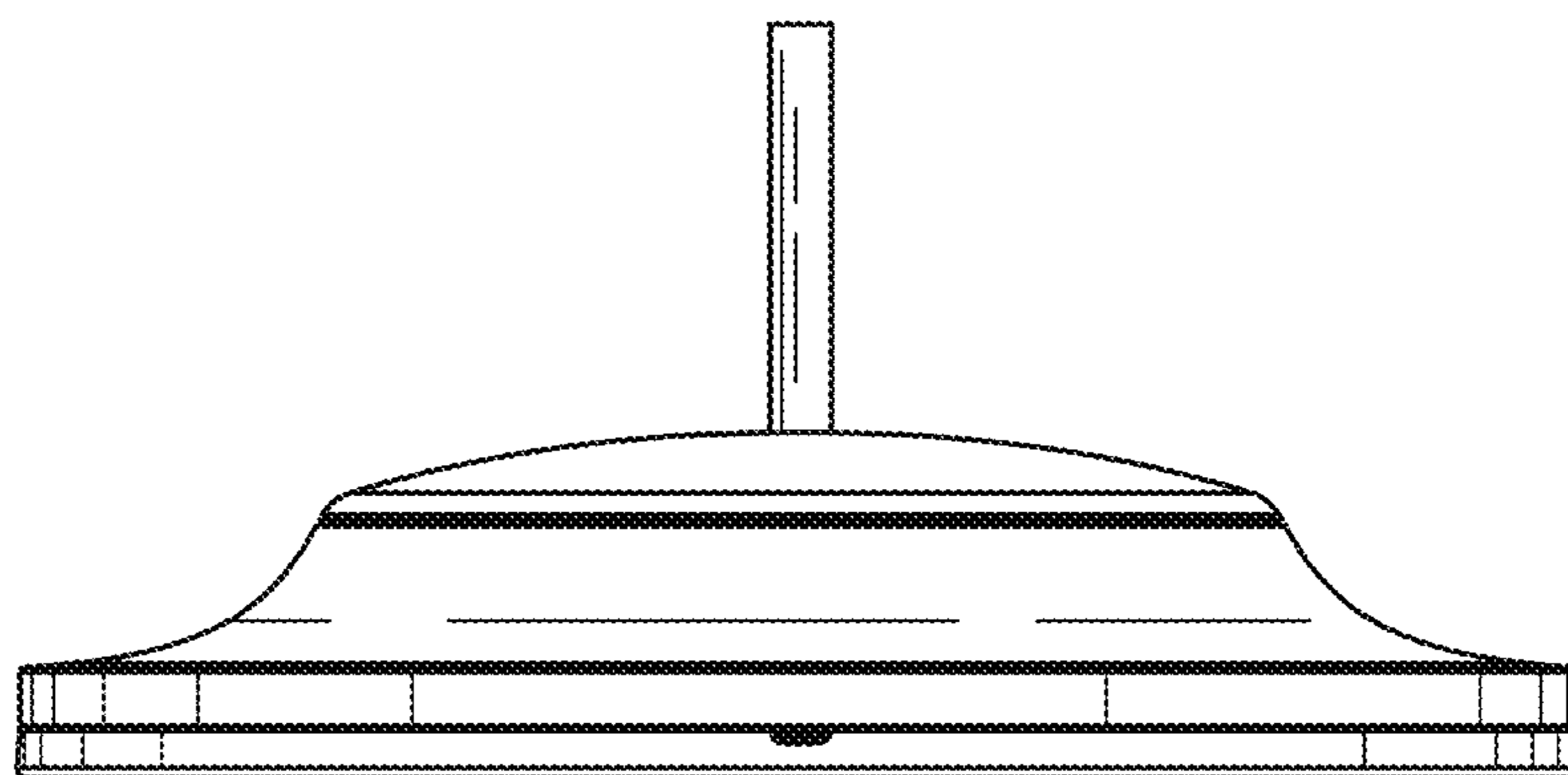


Fig. 7