



US00D779103S

(12) **United States Design Patent**
Amato et al.

(10) **Patent No.:** **US D779,103 S**

(45) **Date of Patent:** **** Feb. 14, 2017**

(54) **LIGHTING FIXTURE**

(71) Applicant: **The Urban Electric Company**, North Charleston, SC (US)

(72) Inventors: **Michael Amato**, John's Island, SC (US); **David Dawson**, Charleston, SC (US); **Jonathan Charpia**, Summerville, SC (US); **Joeangel Casanova**, North Charleston, SC (US); **Halle Kern**, Charleston, SC (US); **Courteney Salsbury**, Mount Pleasant, SC (US)

(73) Assignee: **The Urban Electric Company**, North Charleston, SC (US)

(**) Term: **15 Years**

(21) Appl. No.: **29/545,261**

(22) Filed: **Nov. 11, 2015**

(51) **LOC (10) Cl.** **26-03**

(52) **U.S. Cl.**
USPC **D26/85**

(58) **Field of Classification Search**
USPC D26/72, 76, 77, 78, 80, 85, 89, 142, 121, D26/122
CPC F21S 8/03; F21S 8/031; F21S 8/033; F21S 8/036; F21S 9/03; F21S 9/037; F21V 21/025; F21V 17/08; F21V 17/10
See application file for complete search history.

(56) **References Cited**

U.S. PATENT DOCUMENTS

D190,385 S * 5/1961 Schreckengost D26/85
3,539,795 A * 11/1970 Hawley F21V 17/00
362/263

D222,117 S * 9/1971 Baatz D25/102
D272,193 S * 1/1984 Sangiamo D26/85
4,447,726 A * 5/1984 Mudge G08B 13/19
250/342
D336,964 S * 6/1993 Janssen D26/28
D355,044 S * 1/1995 Russello D26/85
D440,683 S * 4/2001 Guercio D26/24
D444,258 S * 6/2001 Bradford D26/87
D456,928 S * 5/2002 Russello D26/85
D494,701 S * 8/2004 Campbell D26/85
2013/0043396 A1 * 2/2013 Shpater G01J 5/0806
250/353

* cited by examiner

Primary Examiner — Clare E Heflin

(74) *Attorney, Agent, or Firm* — Richard A. Brisbin; Haynsworth Sinkler Boyd, P.A.

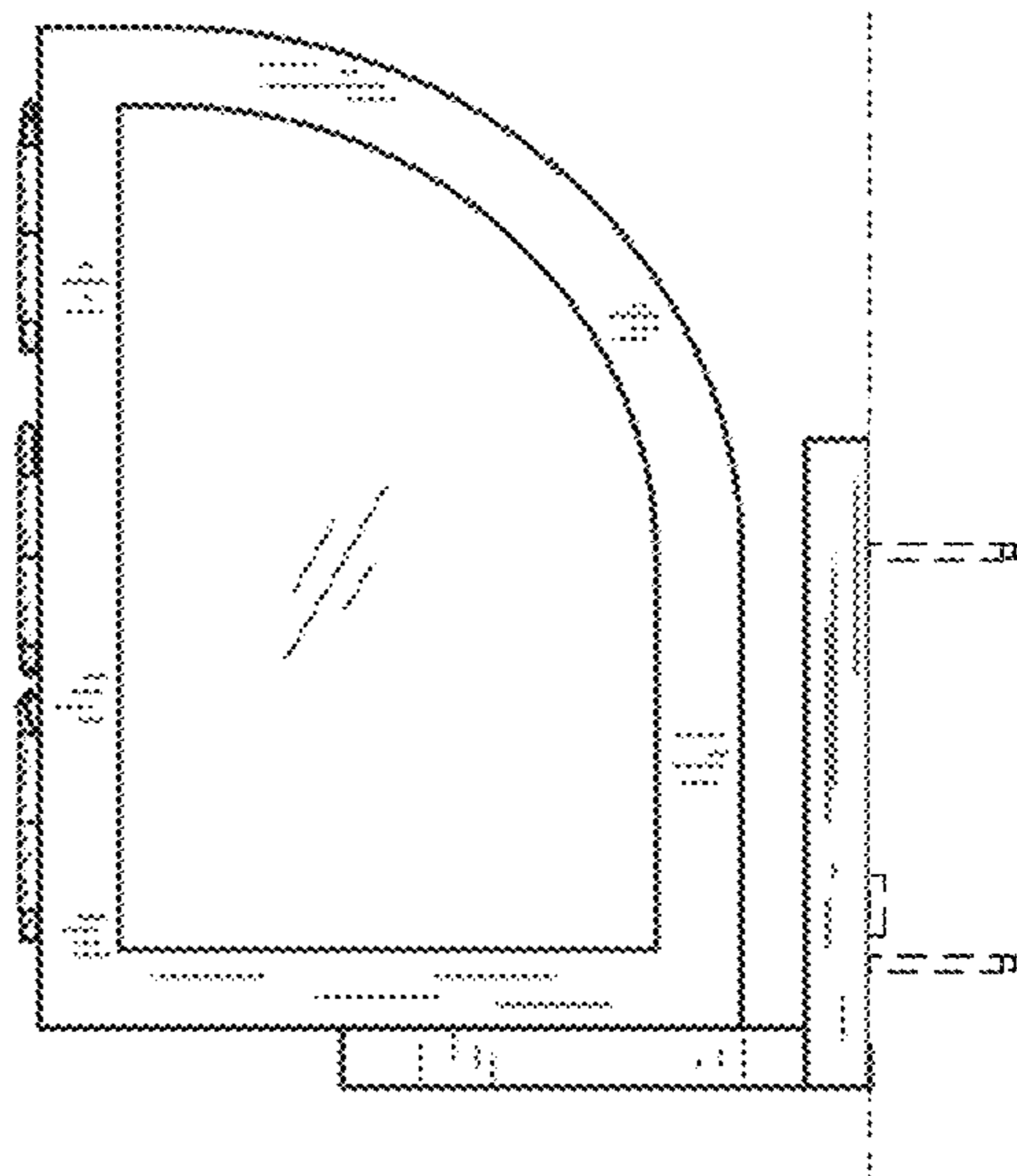
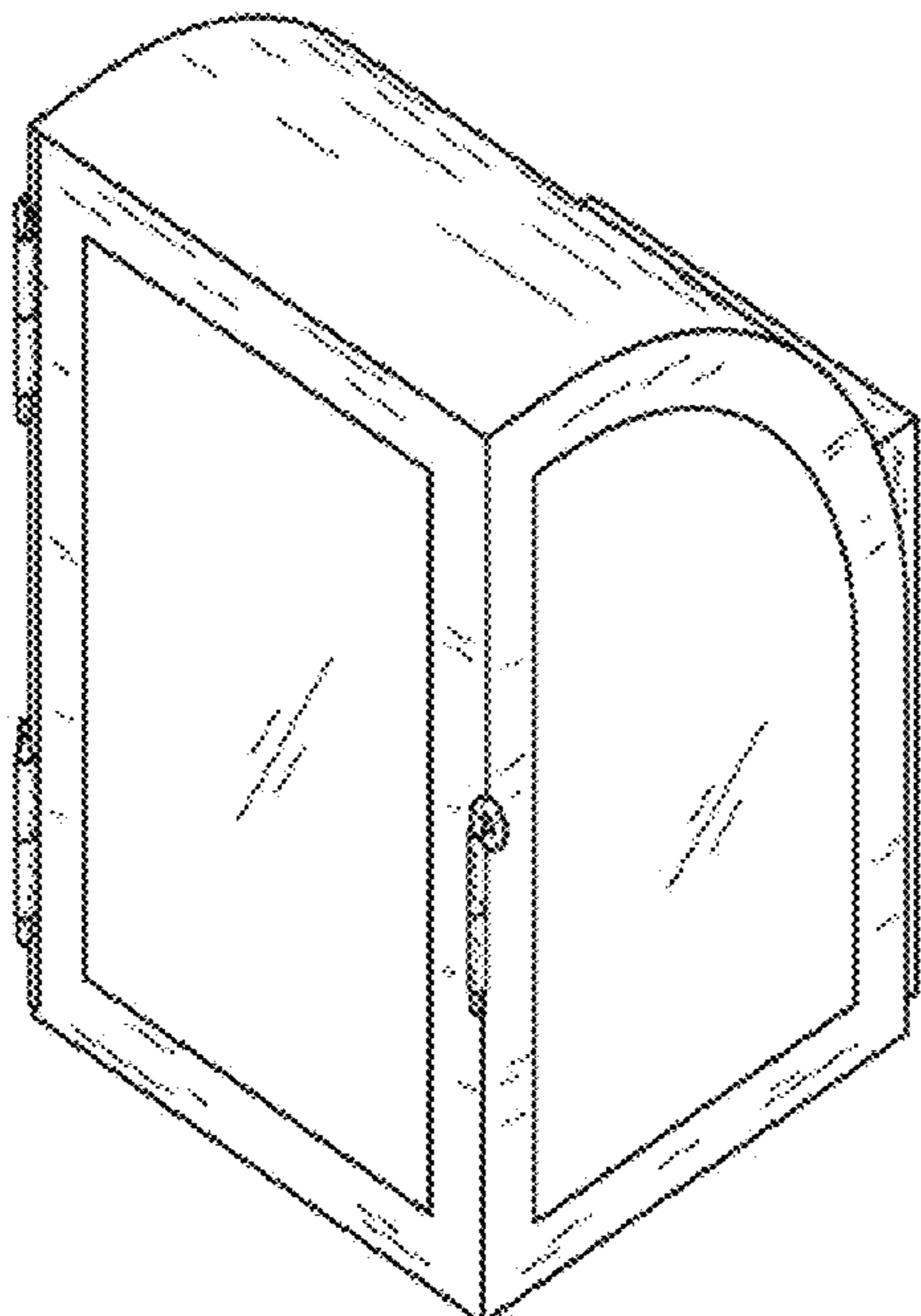
(57) **CLAIM**

The ornamental design for a lighting fixture, as shown and described.

DESCRIPTION

FIG. 1 is a perspective view of a new lighting fixture; FIG. 2 is a front elevational view thereof; FIG. 3 is a back elevational view thereof; FIG. 4 is a right side elevational view thereof; FIG. 5 is a left side elevational view thereof; FIG. 6 is a top plan view thereof; and, FIG. 7 is a bottom plan view thereof. The broken line disclosure in the views represents environmental structure which forms no part of the claimed design.

1 Claim, 7 Drawing Sheets



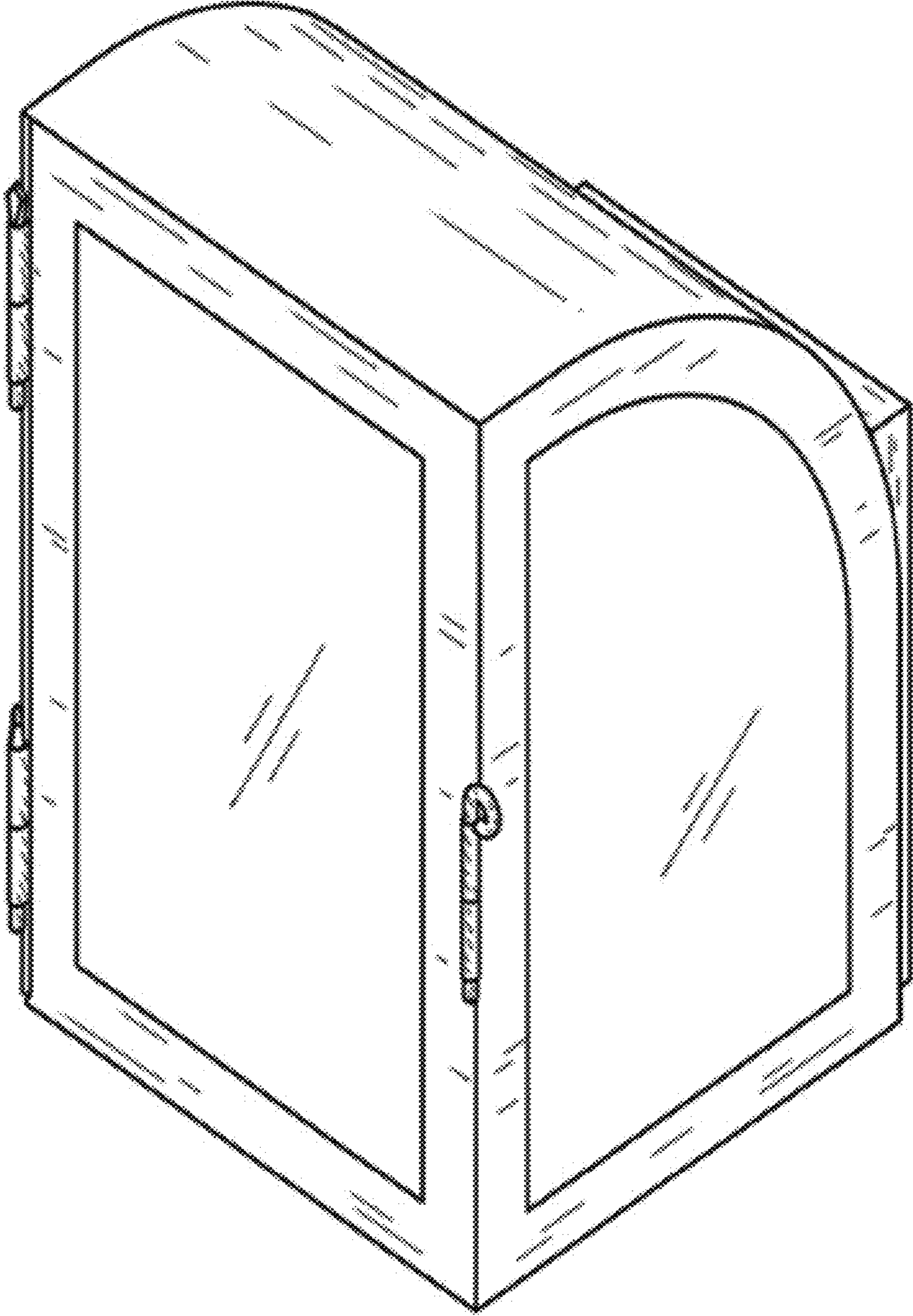


FIG. 1

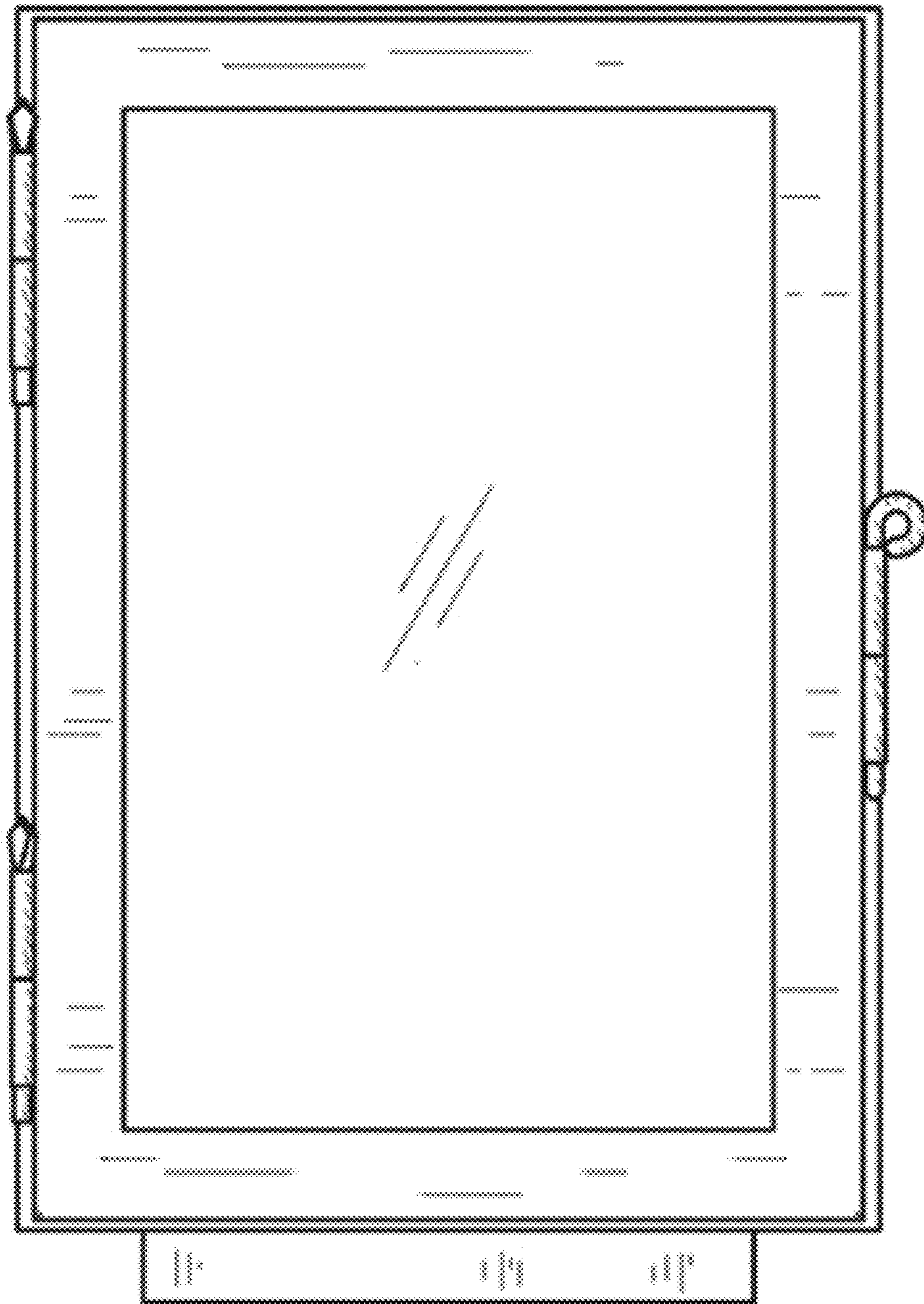


FIG. 2

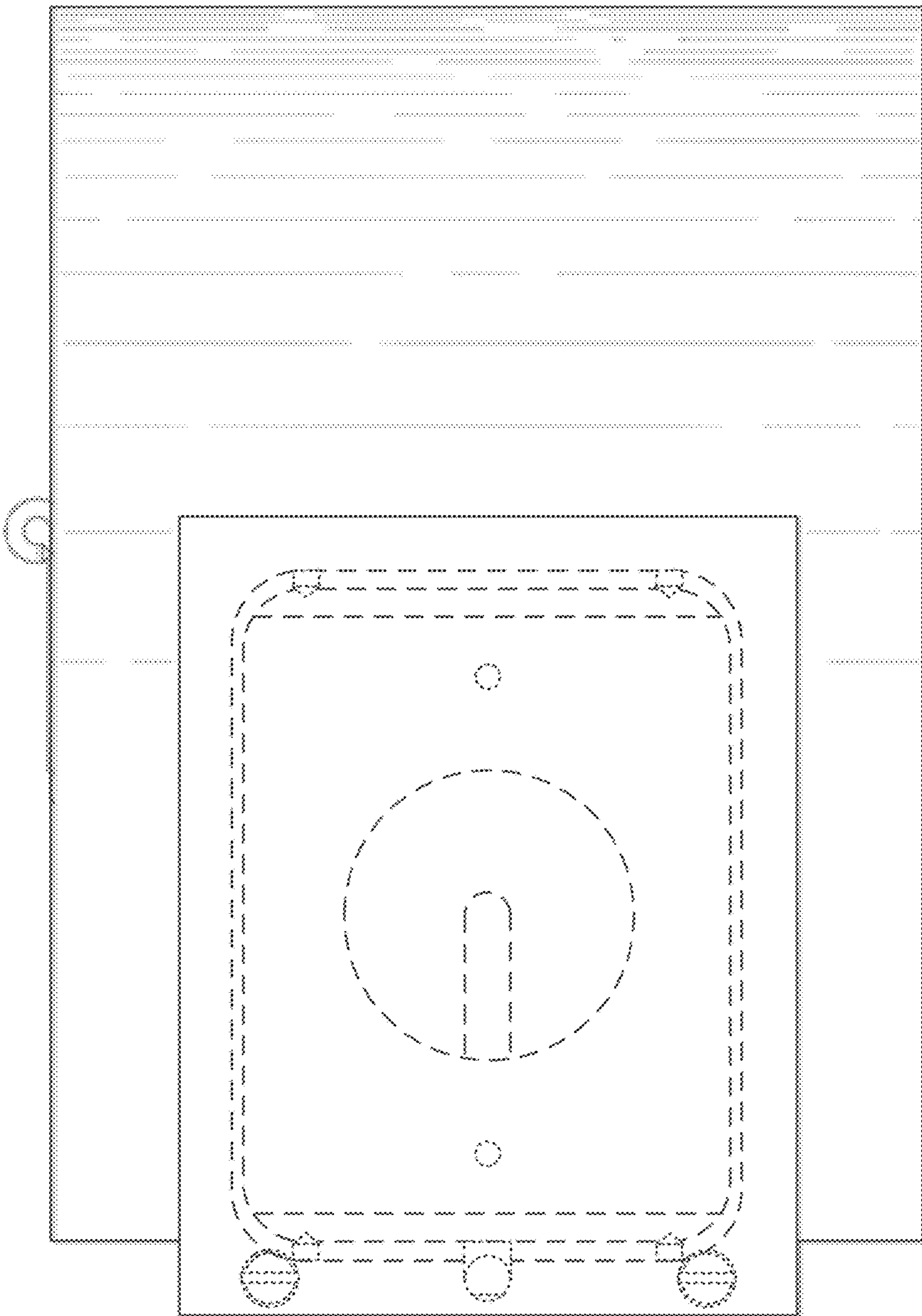


FIG. 3

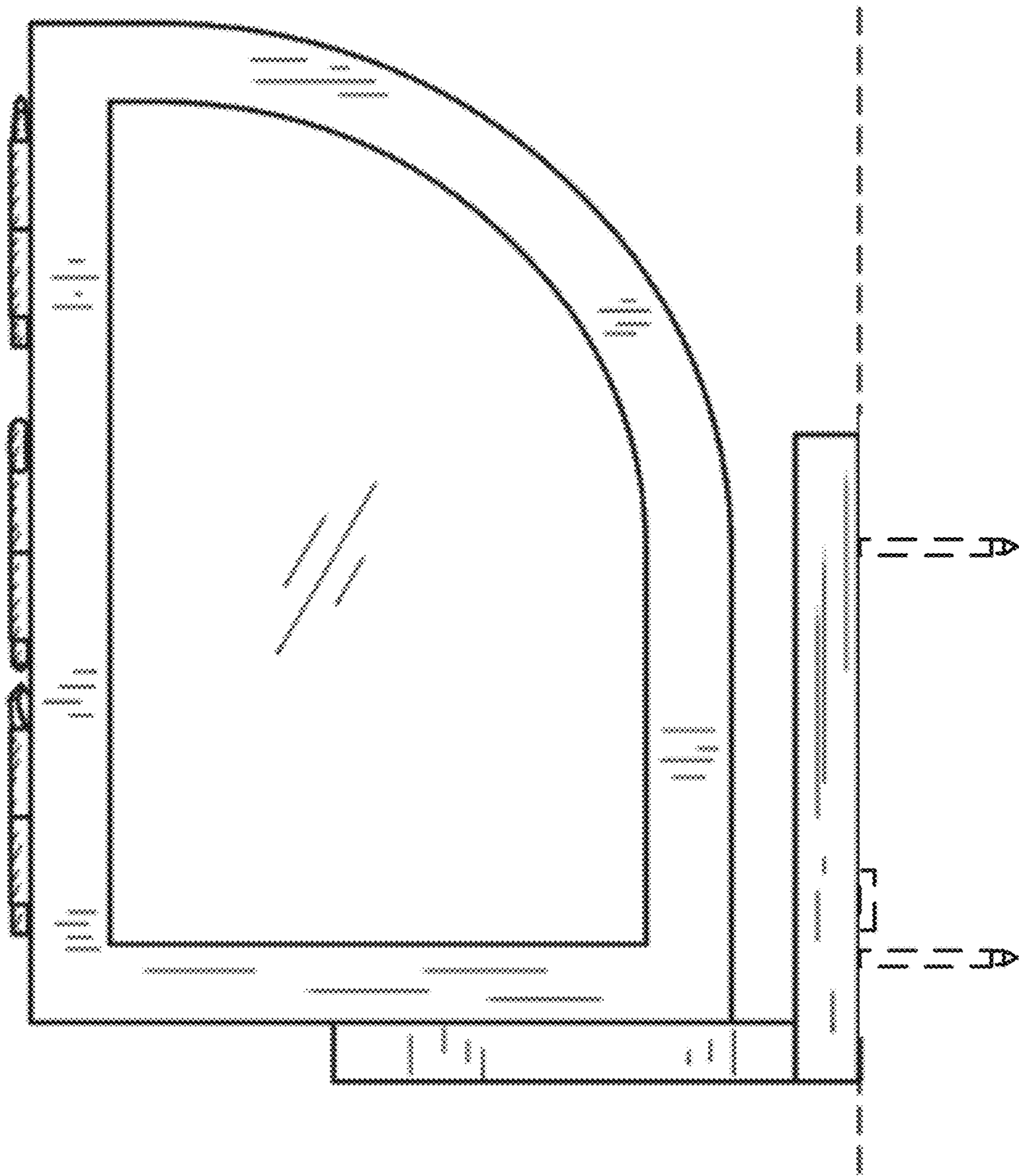


FIG. 4

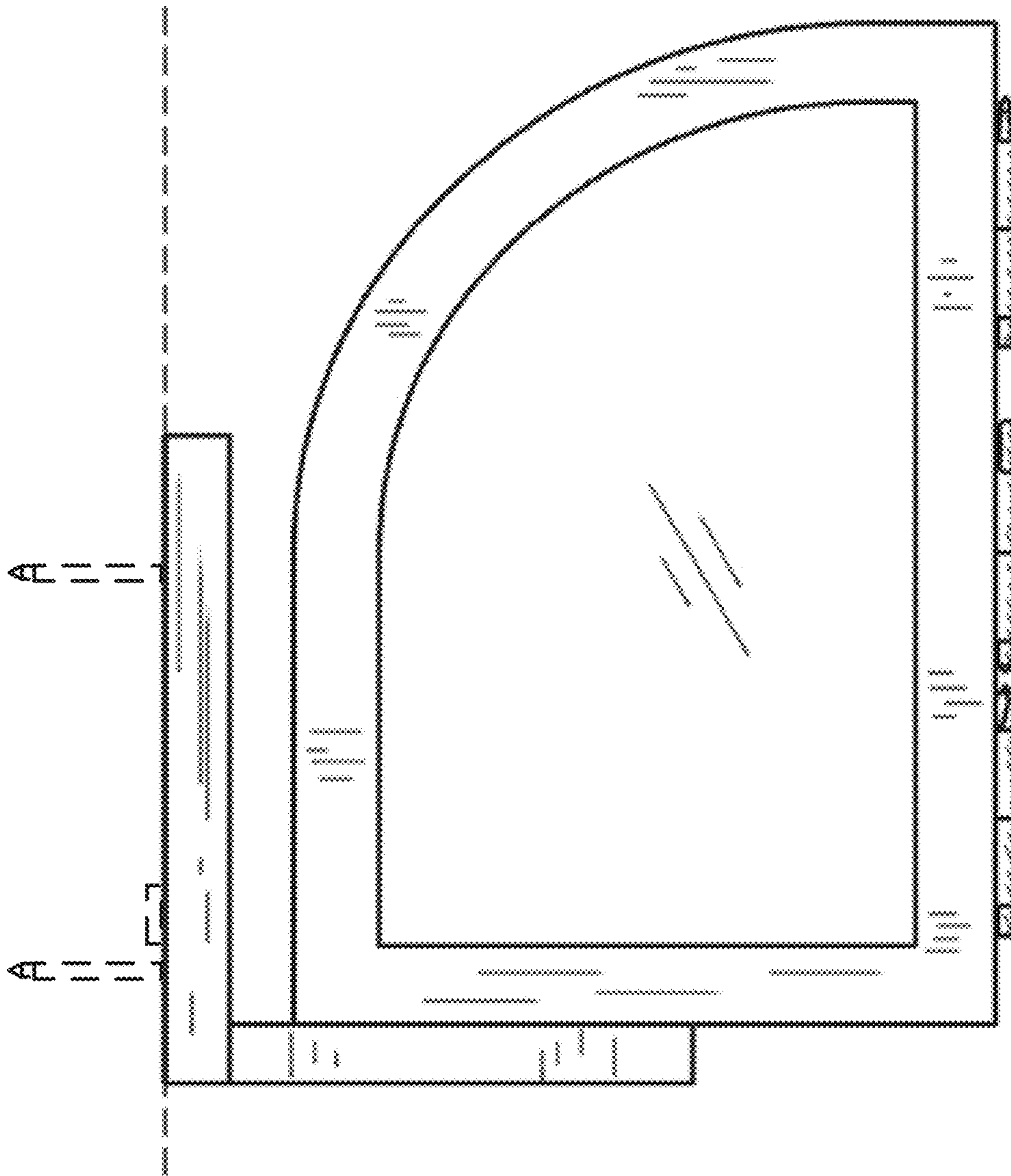


FIG. 5

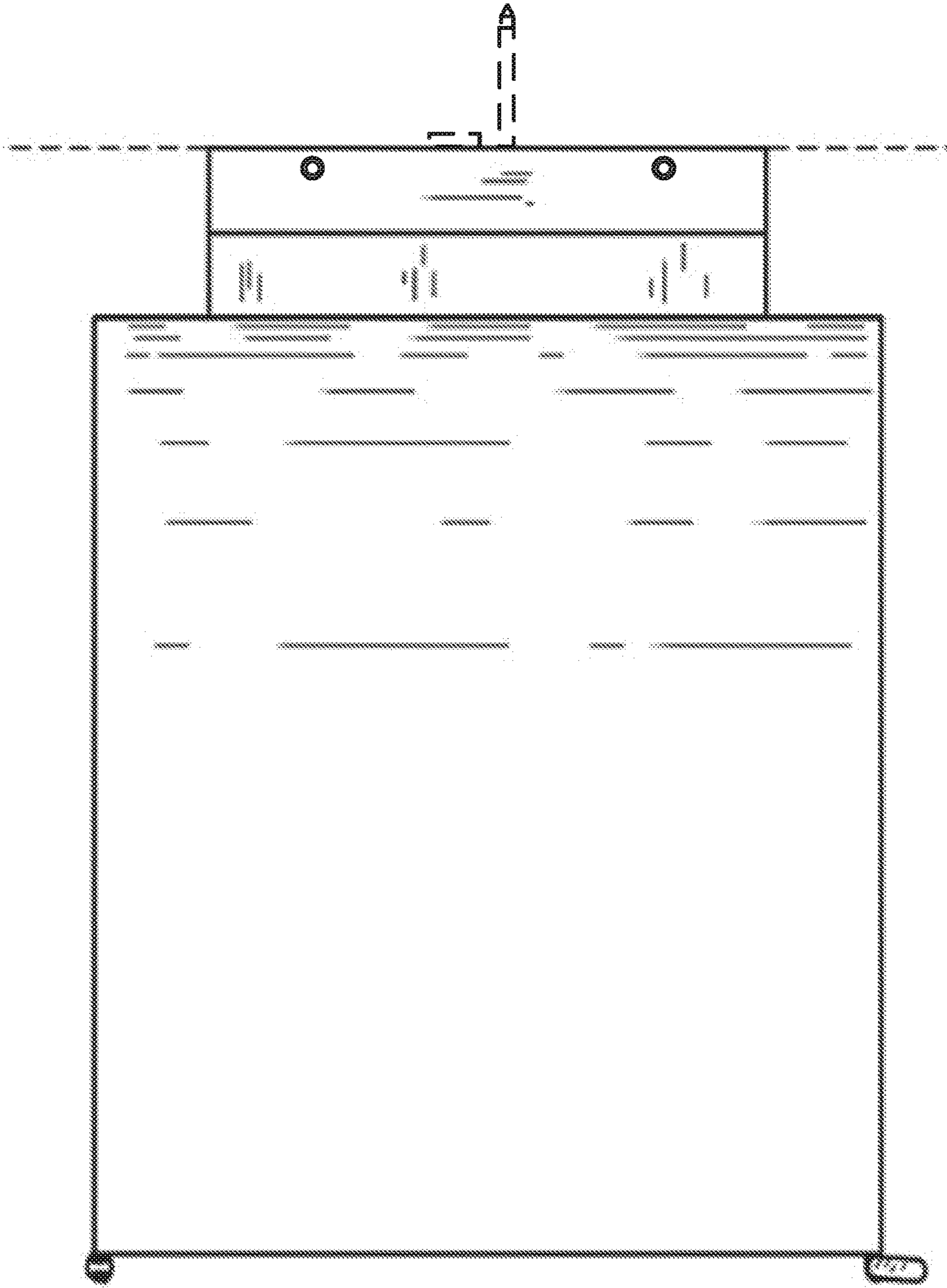


FIG. 6

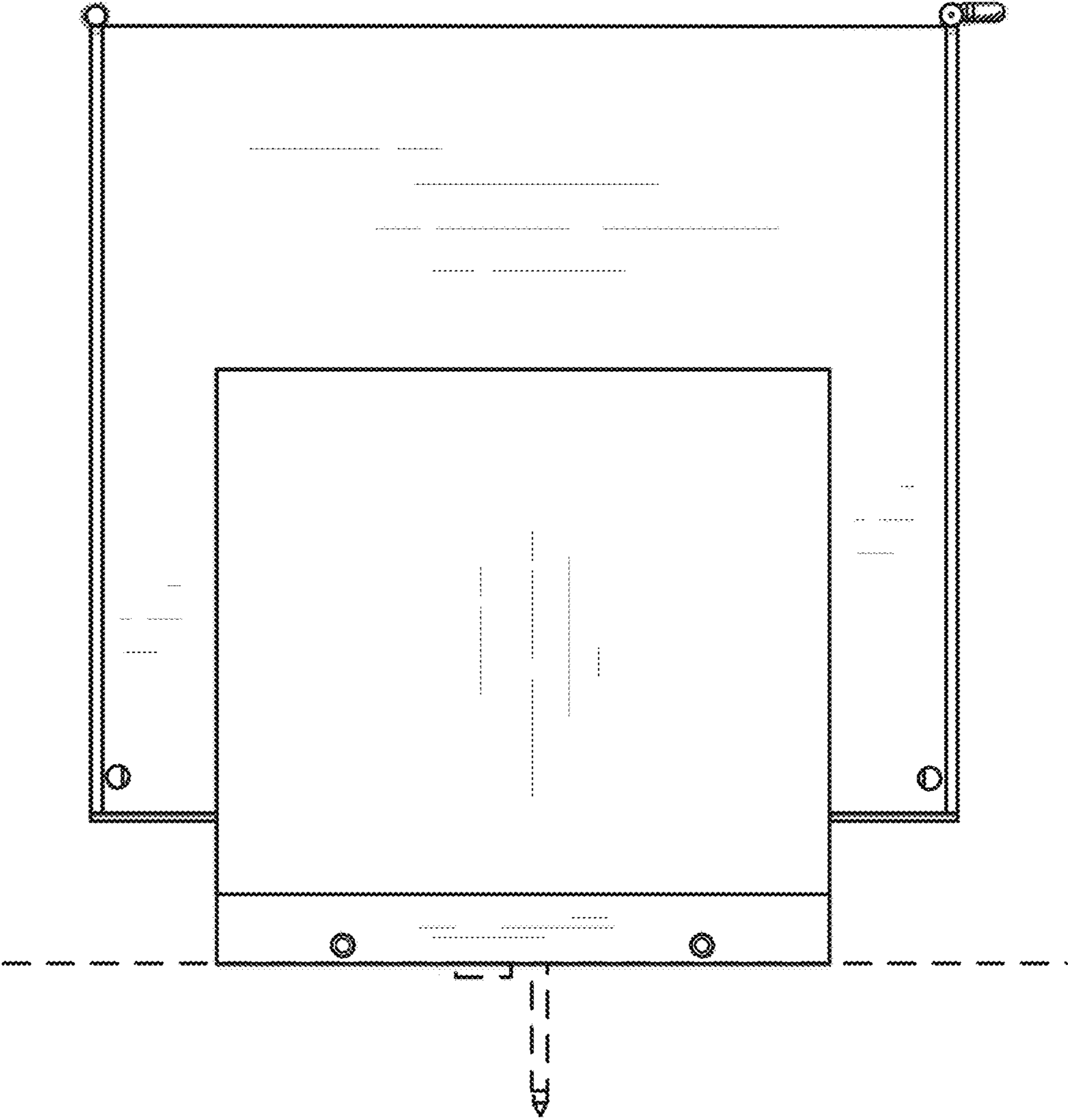


FIG. 7