



US00D779102S

(12) **United States Design Patent**  
**Garraton**

(10) **Patent No.:** **US D779,102 S**

(45) **Date of Patent:** **\*\* Feb. 14, 2017**

(54) **LIGHT FIXTURE**

(71) Applicant: **Quoizel, Inc.**, Goose Creek, SC (US)

(72) Inventor: **Ramir Garraton**, Antipolo (PH)

(73) Assignee: **Quoizel, Inc.**, Goose Creek, SC (US)

(\*\*) Term: **15 Years**

(21) Appl. No.: **29/551,445**

(22) Filed: **Jan. 13, 2016**

(51) **LOC (10) Cl.** ..... **26-03**

(52) **U.S. Cl.**

USPC ..... **D26/81**; D26/86

(58) **Field of Classification Search**

USPC ..... D26/81-91, 143, 144

CPC ..... F21S 8/04; F21S 8/043; F21S 8/046;

F21S 8/06; F21S 8/061; F21S

8/063; F21S 8/065

See application file for complete search history.

(56) **References Cited**

**U.S. PATENT DOCUMENTS**

D35,908 S *	5/1902	Jamison	.....	D26/81
D37,742 S *	12/1905	Davis	.....	D26/68
D38,831 S *	9/1907	Brooks	.....	D26/88
D70,159 S *	5/1926	Crumley	.....	D26/144
D90,017 S *	5/1933	Bush	.....	D26/84
D91,159 S *	12/1933	McFadden	.....	D26/81
D342,338 S *	12/1993	Thun	.....	D26/63

D361,859 S *	8/1995	Pickett	.....	D26/84
D436,210 S *	1/2001	Miranda	.....	D26/81
D659,278 S *	5/2012	Sage	.....	D26/81
D705,475 S *	5/2014	Kitts	.....	D26/81
D728,842 S *	5/2015	Arola Ferrer	.....	D26/83

\* cited by examiner

*Primary Examiner* — Clare E Heflin

(74) *Attorney, Agent, or Firm* — Nelson Mullins Riley & Scarborough, LLP

(57) **CLAIM**

The ornamental design for a light fixture, as shown and described.

**DESCRIPTION**

FIG. 1 is a perspective view of a light fixture embodying the design of the present invention.

FIG. 2 is a front side elevational view of the light fixture illustrated in FIG. 1.

FIG. 3 is a back side elevational view of the light fixture illustrated in FIG. 1.

FIG. 4 is a right side elevational view of the light fixture illustrated in FIG. 1.

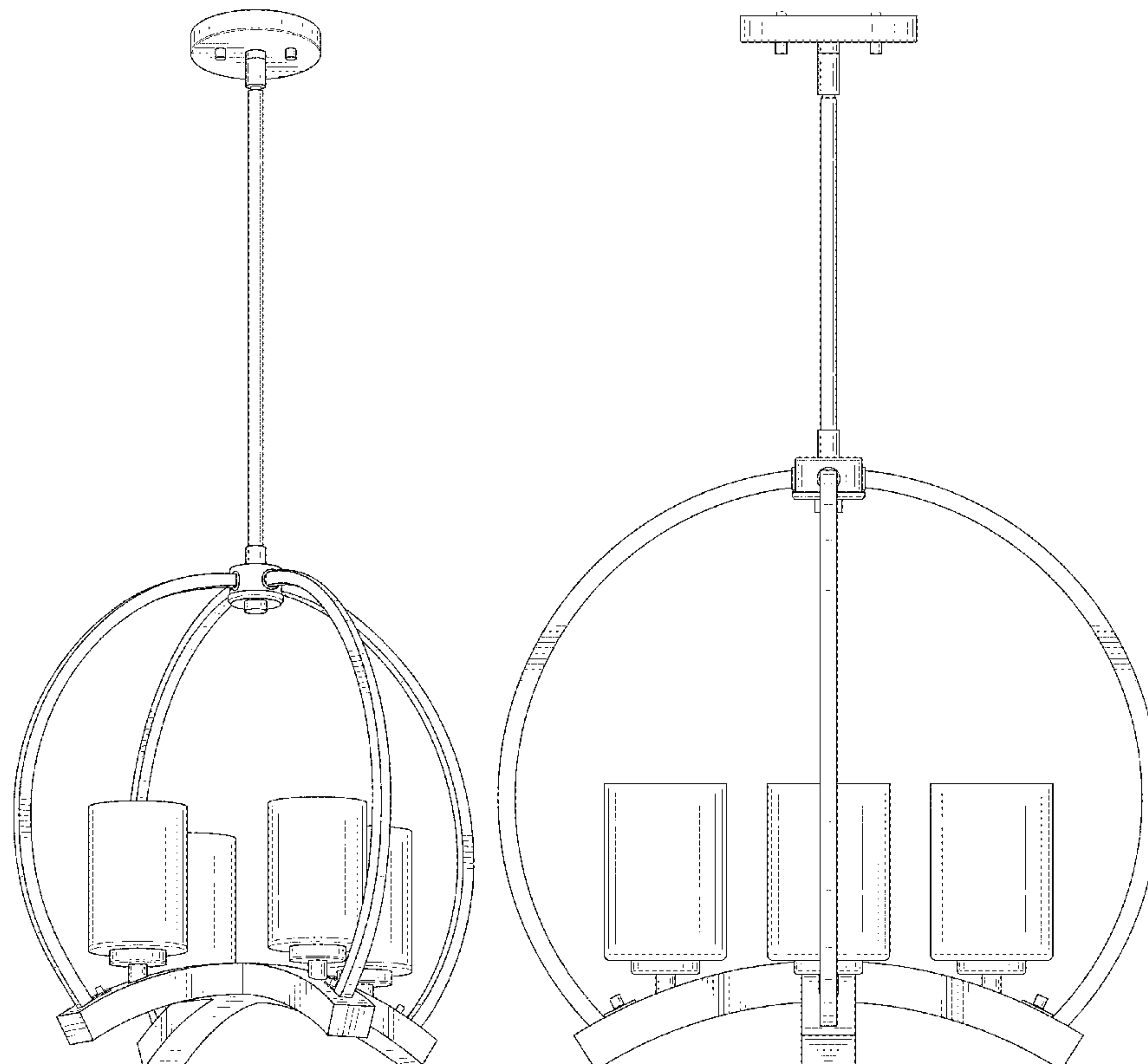
FIG. 5 is a left side elevational view of the light fixture illustrated in FIG. 1.

FIG. 6 is a top view of the light fixture illustrated in FIG. 1; and,

FIG. 7 is a bottom view of the light fixture illustrated in FIG. 1.

The portions shown in broken lines form no part of the claimed design.

**1 Claim, 7 Drawing Sheets**



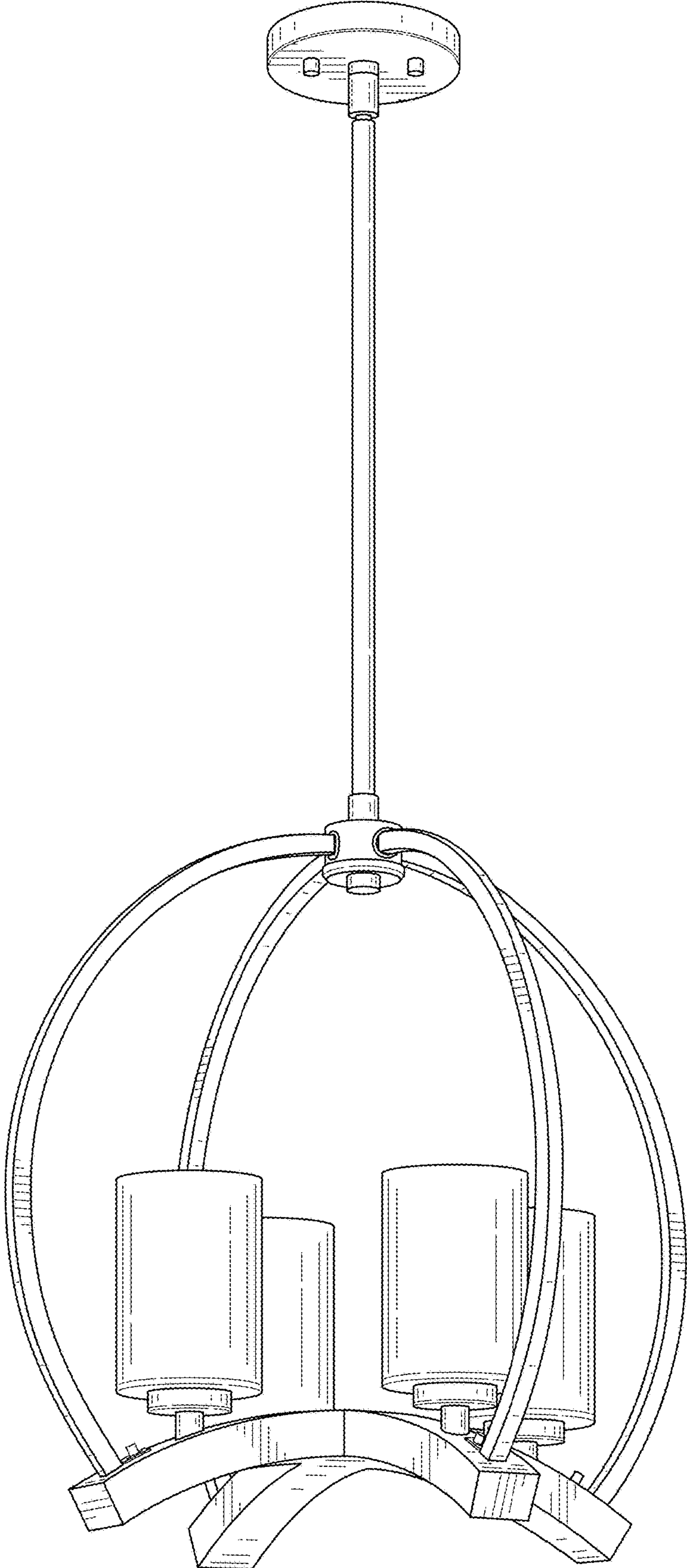


FIG. 1

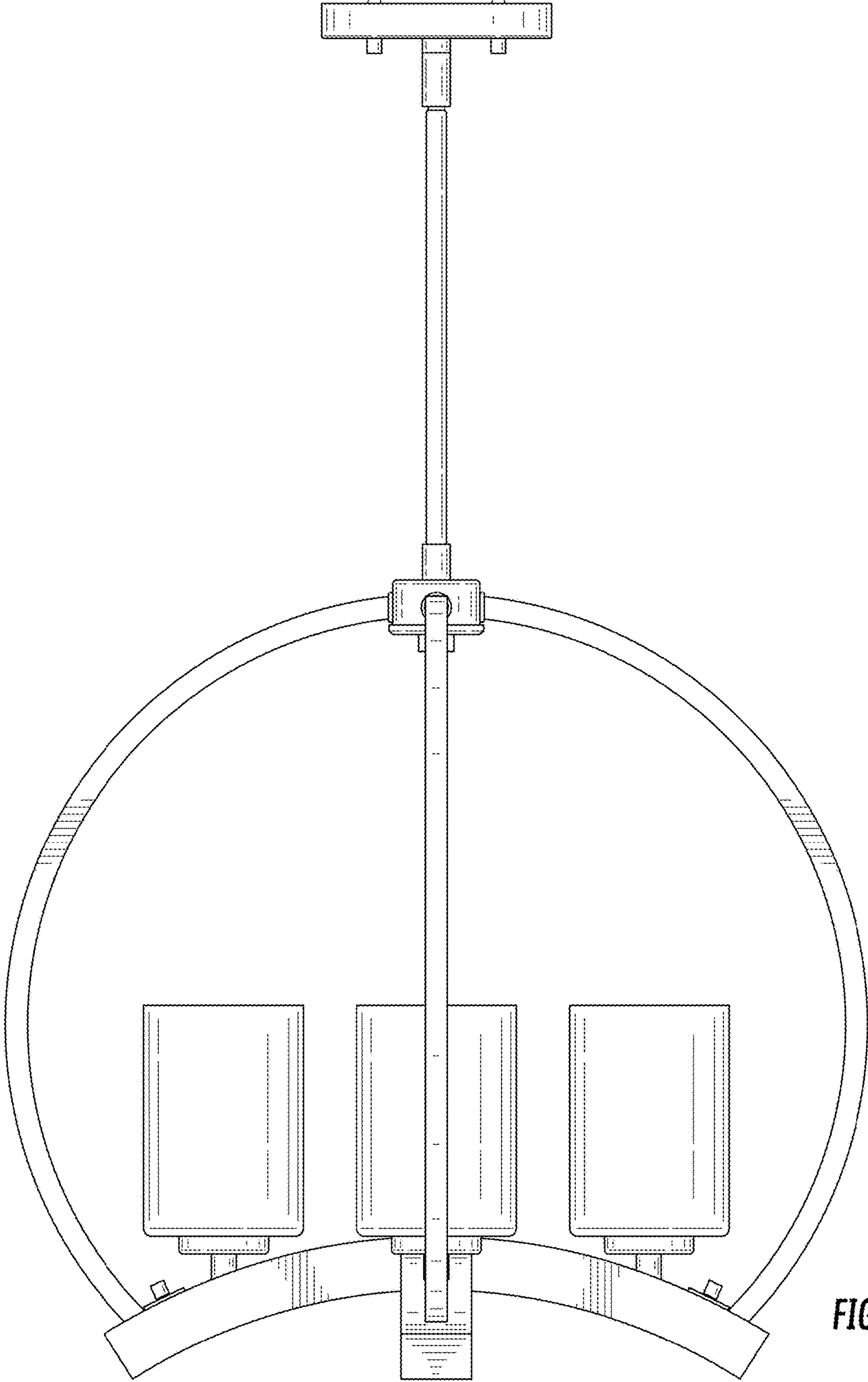


FIG. 2

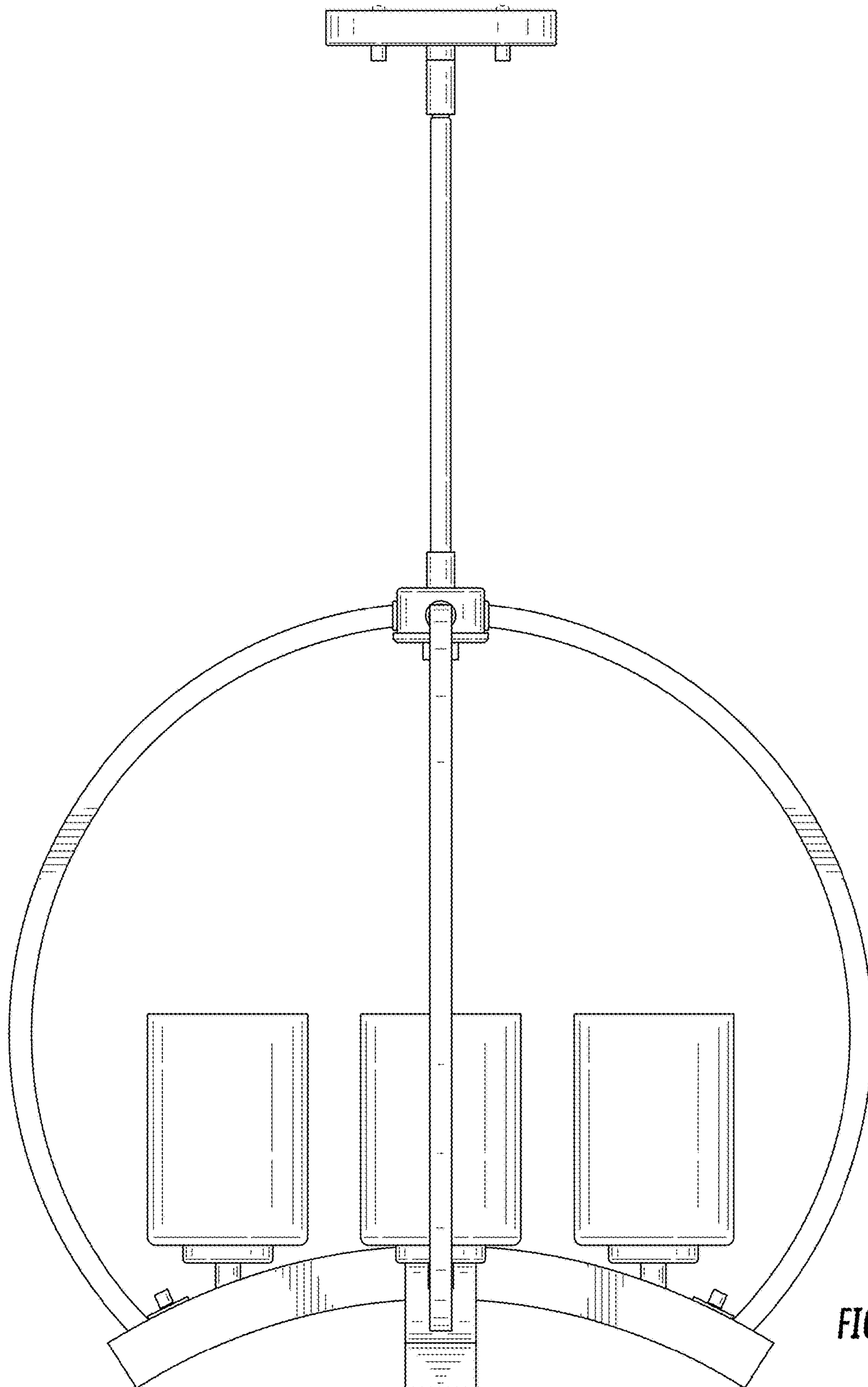


FIG. 3



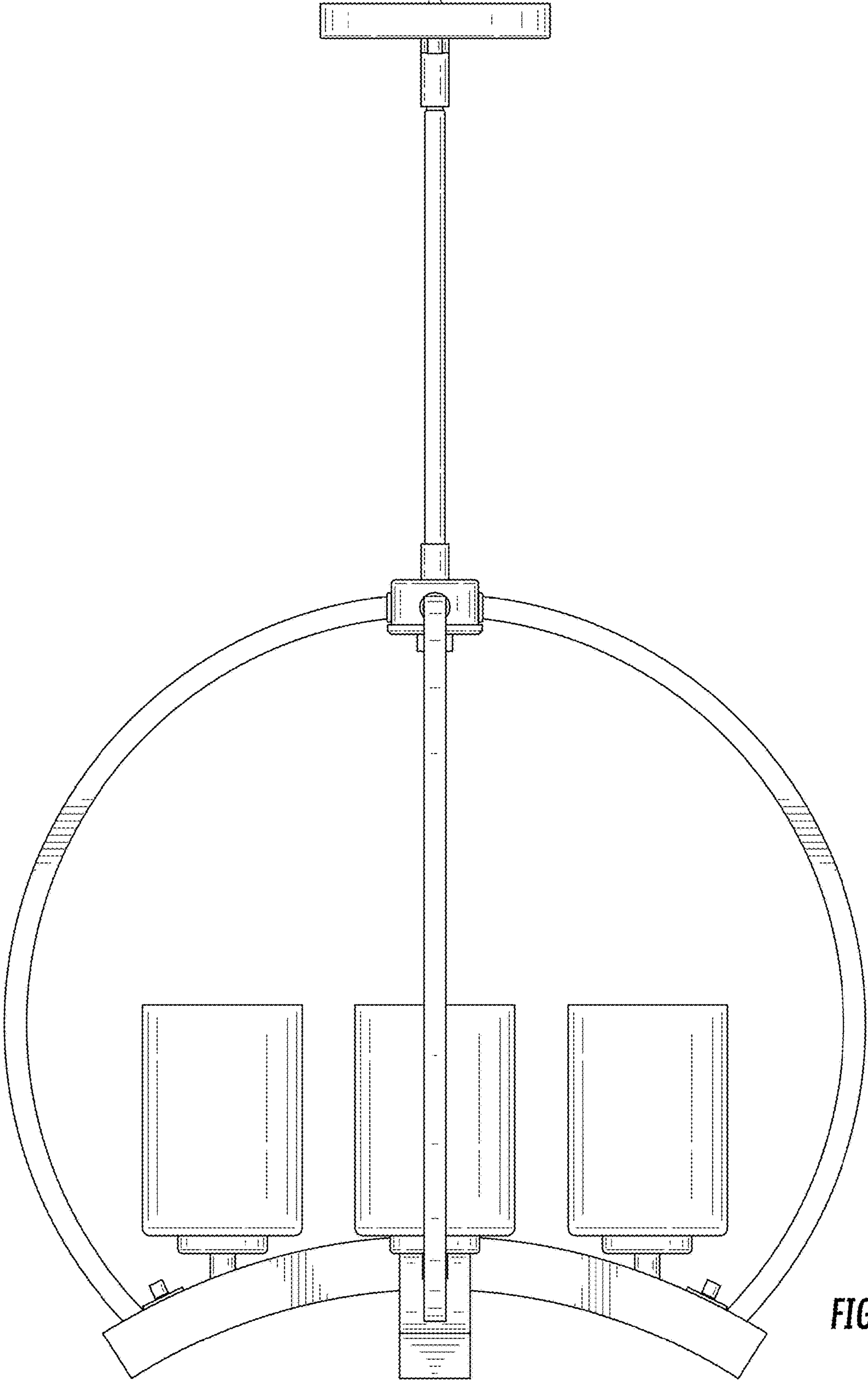


FIG. 4

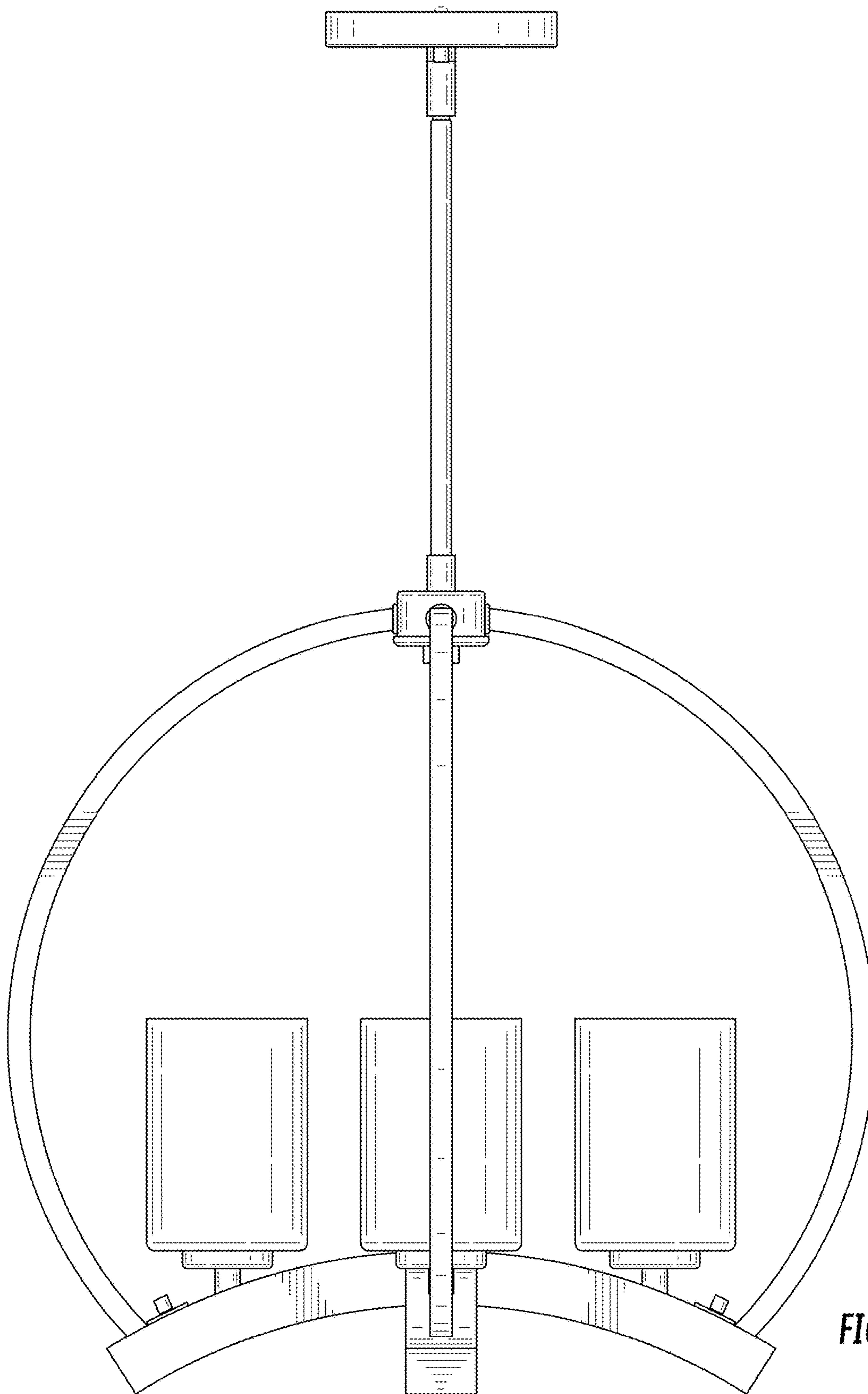


FIG. 5

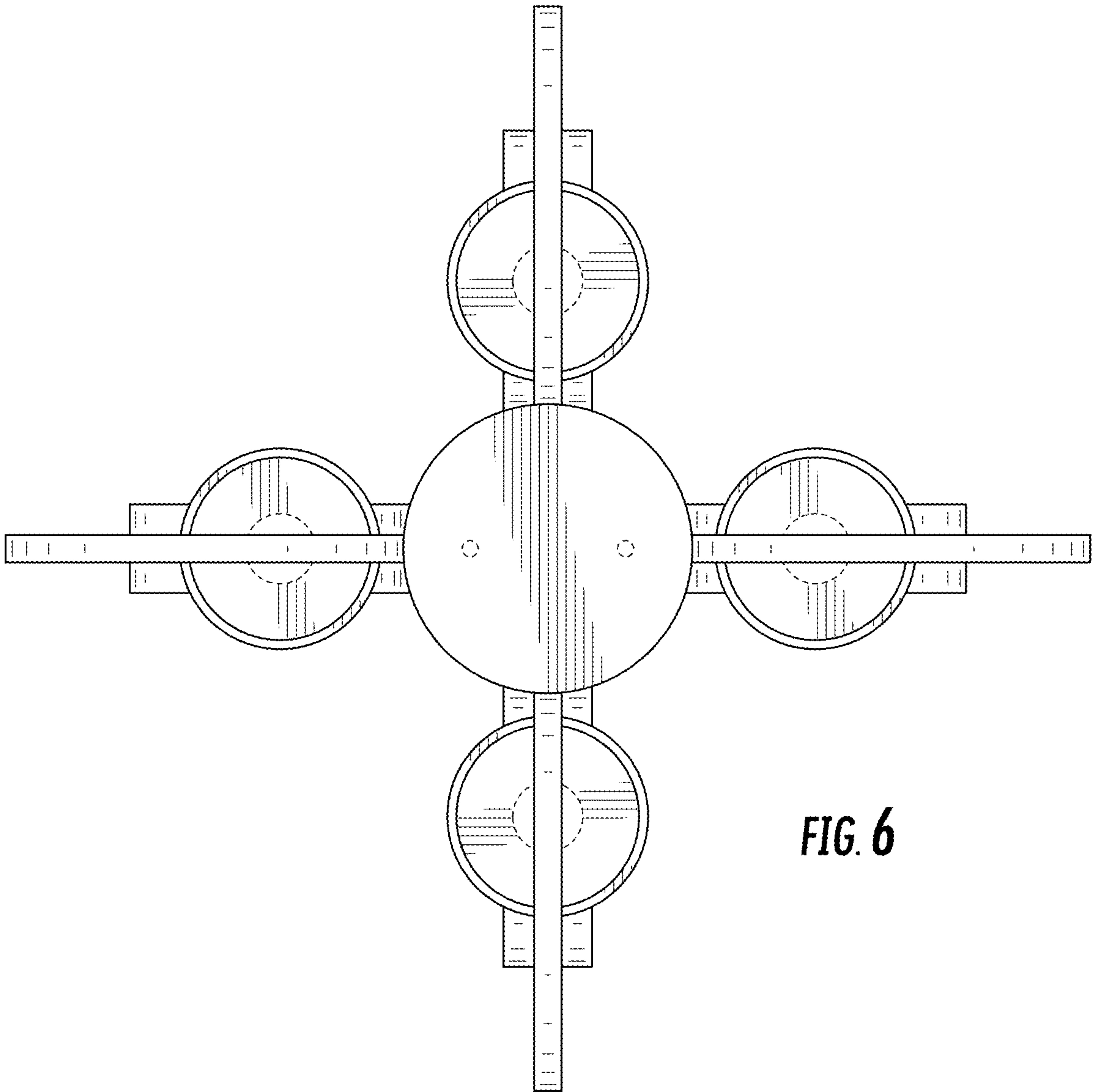
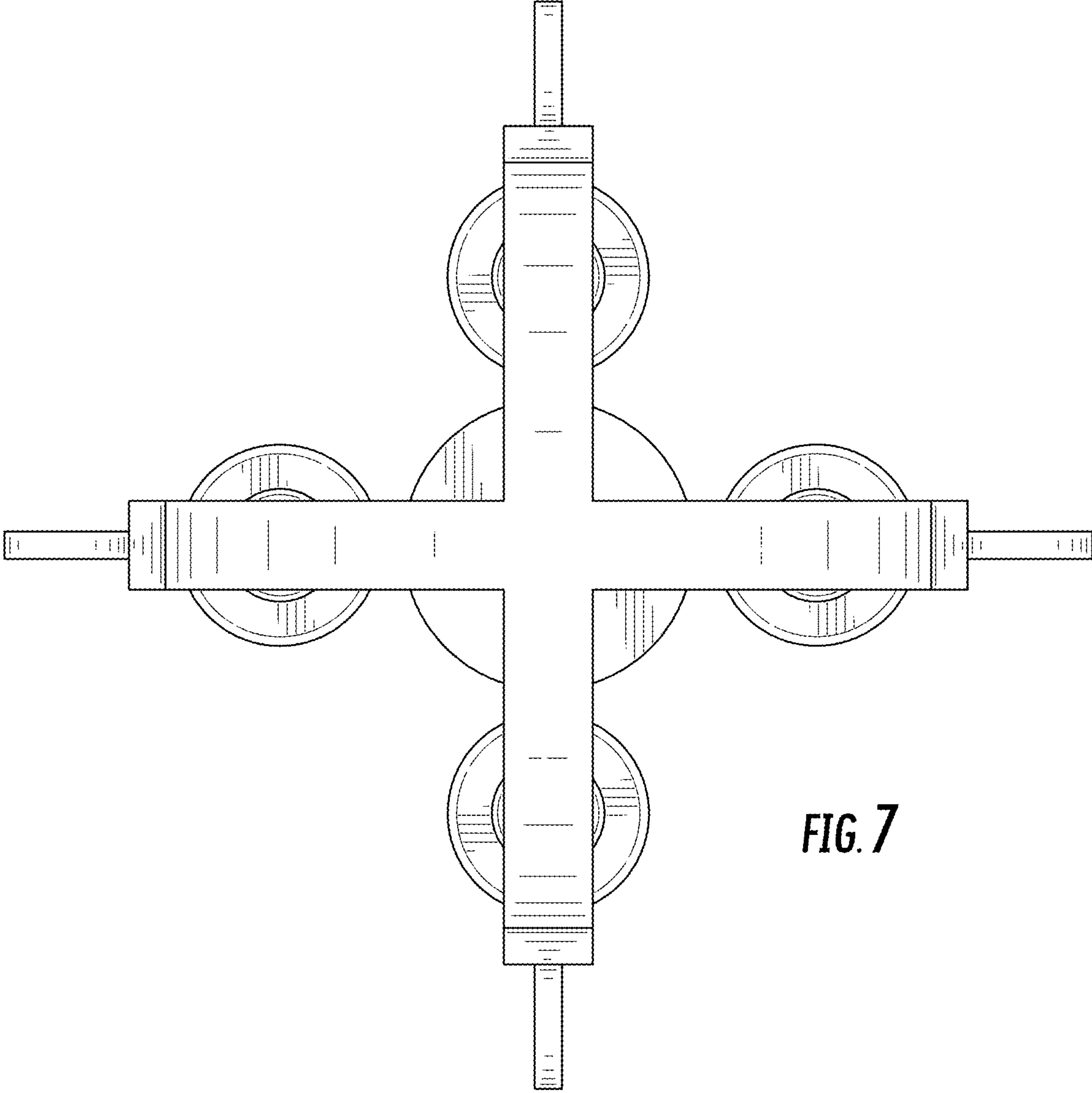


FIG. 6



**FIG. 7**