



US00D779101S

(12) **United States Design Patent** (10) **Patent No.:** **US D779,101 S**  
**Redfern** (45) **Date of Patent:** **\*\* Feb. 14, 2017**

(54) **LUMINAIRE**

(56) **References Cited**

(71) Applicant: **ZUMTOBEL LIGHTING GMBH,**  
Lemgo (DE)

U.S. PATENT DOCUMENTS

(72) Inventor: **Christopher Redfern,**  
Henley-on-Thames (GB)

D551,379 S *	9/2007	Maxik .....	D26/74
D569,024 S *	5/2008	Redfern .....	D26/74
D624,686 S *	9/2010	Toney, Jr. ....	D26/72
D632,821 S *	2/2011	Culbert .....	D26/74
D644,370 S *	8/2011	Lickiss .....	D26/71
D672,902 S *	12/2012	Collins .....	D26/86
D673,712 S *	1/2013	Patel .....	D26/74
D682,458 S *	5/2013	Calvin .....	D26/74
D696,447 S *	12/2013	Huh .....	D26/74
D698,974 S *	2/2014	Aniserowicz .....	D26/74
D703,861 S *	4/2014	Holland .....	D26/89
D740,996 S *	10/2015	Tragatschnig .....	D26/118
2016/0018098 A1 *	1/2016	Kim .....	F21V 29/2212 362/373

(73) Assignee: **ZUMTOBEL LIGHTING GMBH,**  
Lemgo (DE)

(\*\*) Term: **15 Years**

(21) Appl. No.: **29/546,157**

(22) Filed: **Nov. 19, 2015**

\* cited by examiner

(30) **Foreign Application Priority Data**

*Primary Examiner* — Angela J Lee

May 21, 2015 (EM) ..... 002 704 742

(74) *Attorney, Agent, or Firm* — Scully, Scott, Murphy & Presser, P.C.

(51) **LOC (10) Cl.** ..... **26-05**

(57) **CLAIM**

(52) **U.S. Cl.**  
USPC ..... **D26/74**

The ornamental design for a luminaire, as shown and described.

(58) **Field of Classification Search**

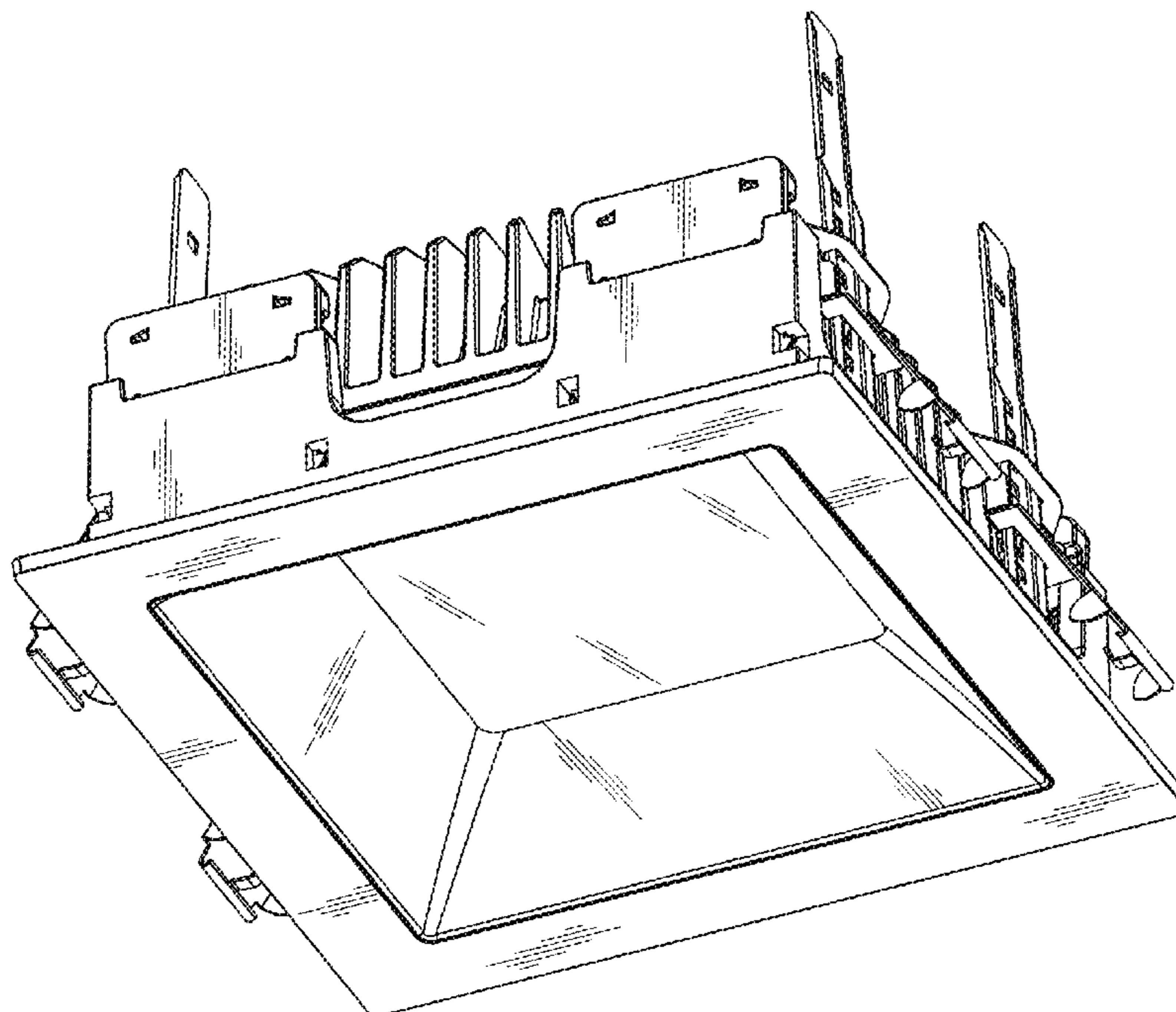
**DESCRIPTION**

USPC ..... D26/74, 72, 75, 76, 77, 78, 85, 88, 89,  
D26/118, 138, 141; 362/364, 365, 373,  
362/145, 146, 147, 148, 150, 153, 153.1,  
362/294, 296.01, 296.07, 296.08  
CPC ..... F21V 29/2262; F21V 7/06; F21V 21/044;  
F21V 21/047; F21V 29/2212; F21V  
29/2225; F21V 29/2256; F21V 29/225;  
F21V 29/2268; F21Y 2111/002; F21S  
8/02; F21S 8/026

FIG. 1 illustrates a perspective view of the luminaire, showing my new and ornamental design;  
FIG. 2 illustrates a side view thereof;  
FIG. 3 illustrates a side view thereof;  
FIG. 4 illustrates a side view thereof;  
FIG. 5 illustrates a side view thereof opposite to FIG. 3;  
FIG. 6 illustrates a bottom thereof; and,  
FIG. 7 illustrates a top view thereof.

See application file for complete search history.

**1 Claim, 7 Drawing Sheets**



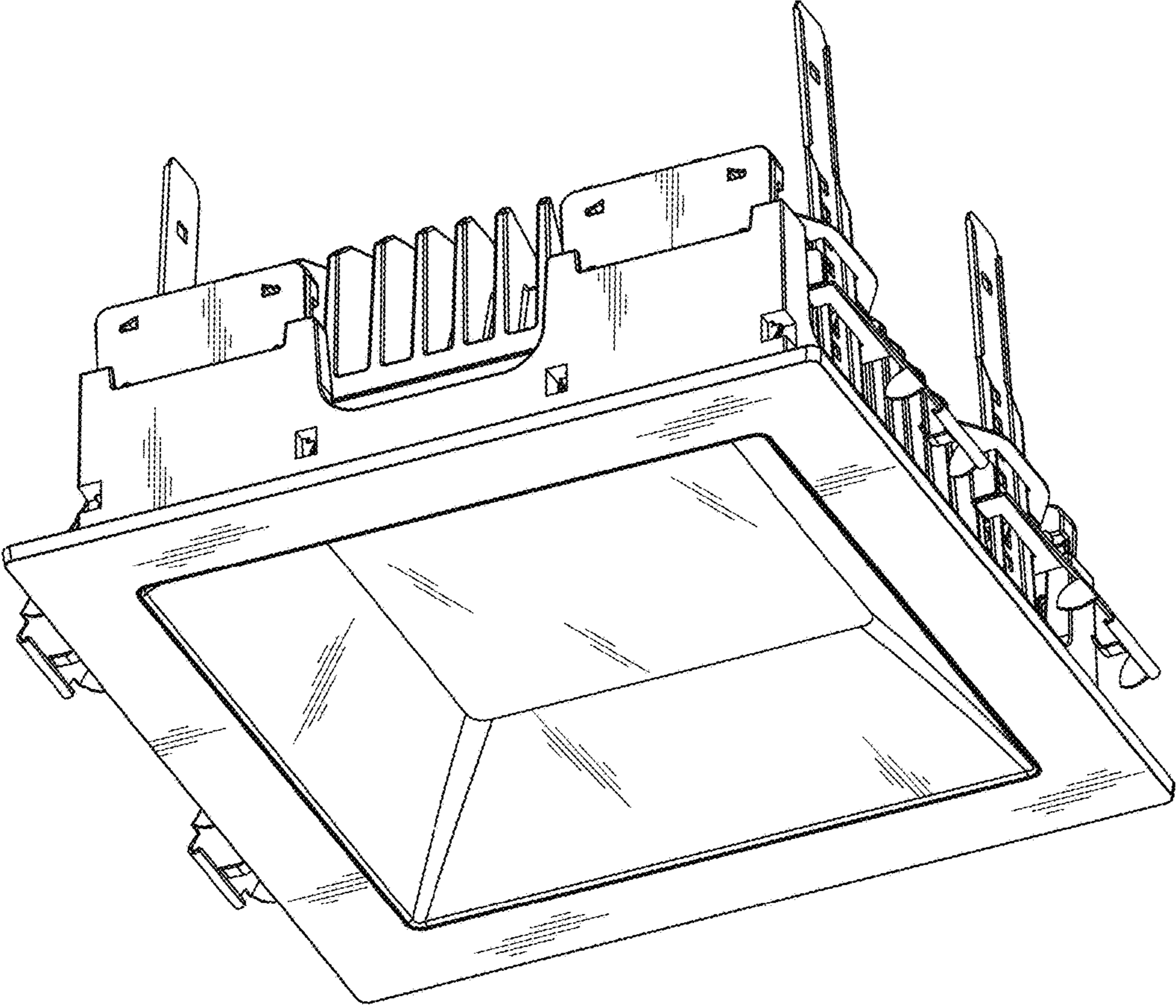


Fig. 1

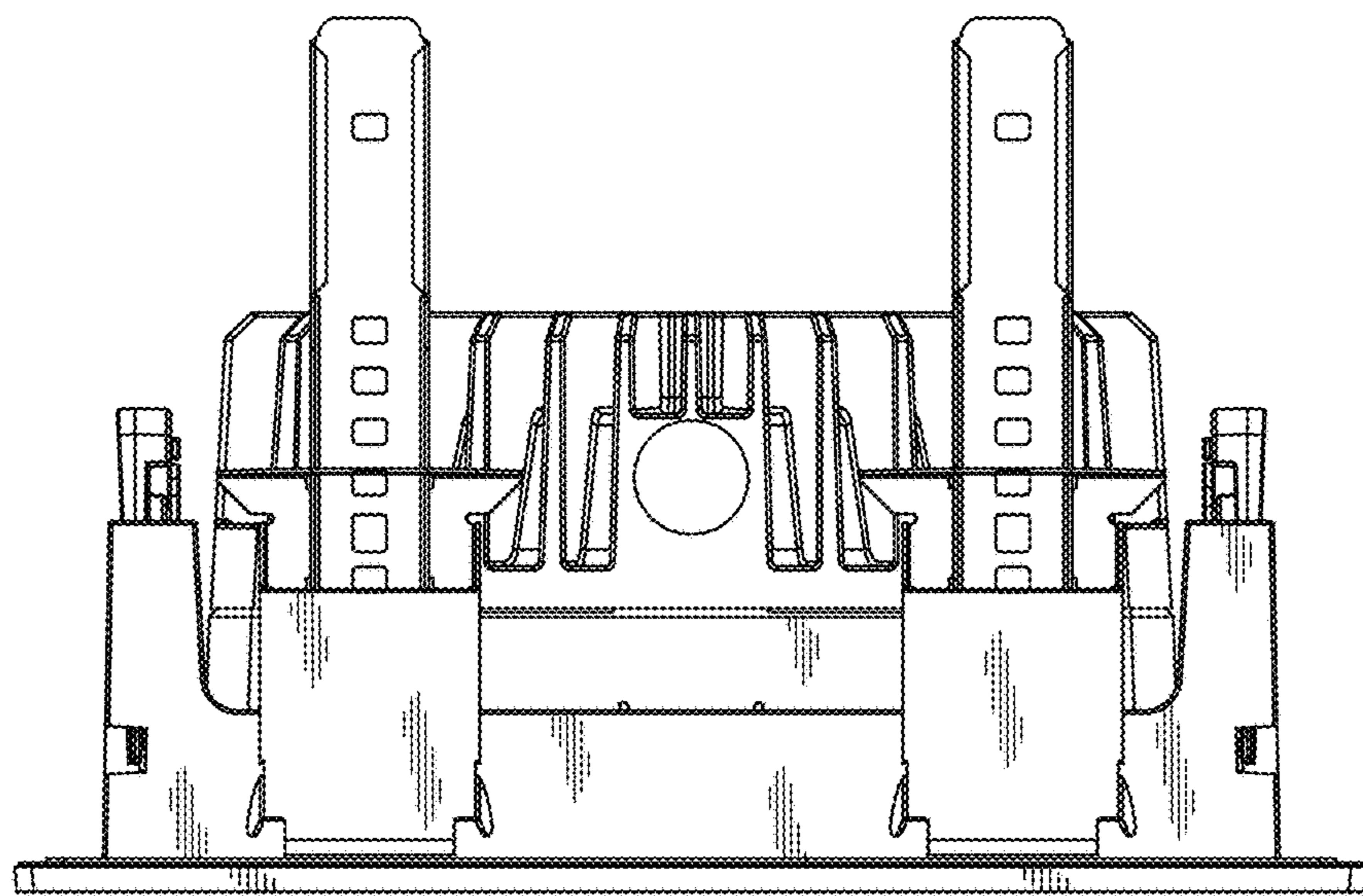


Fig. 2

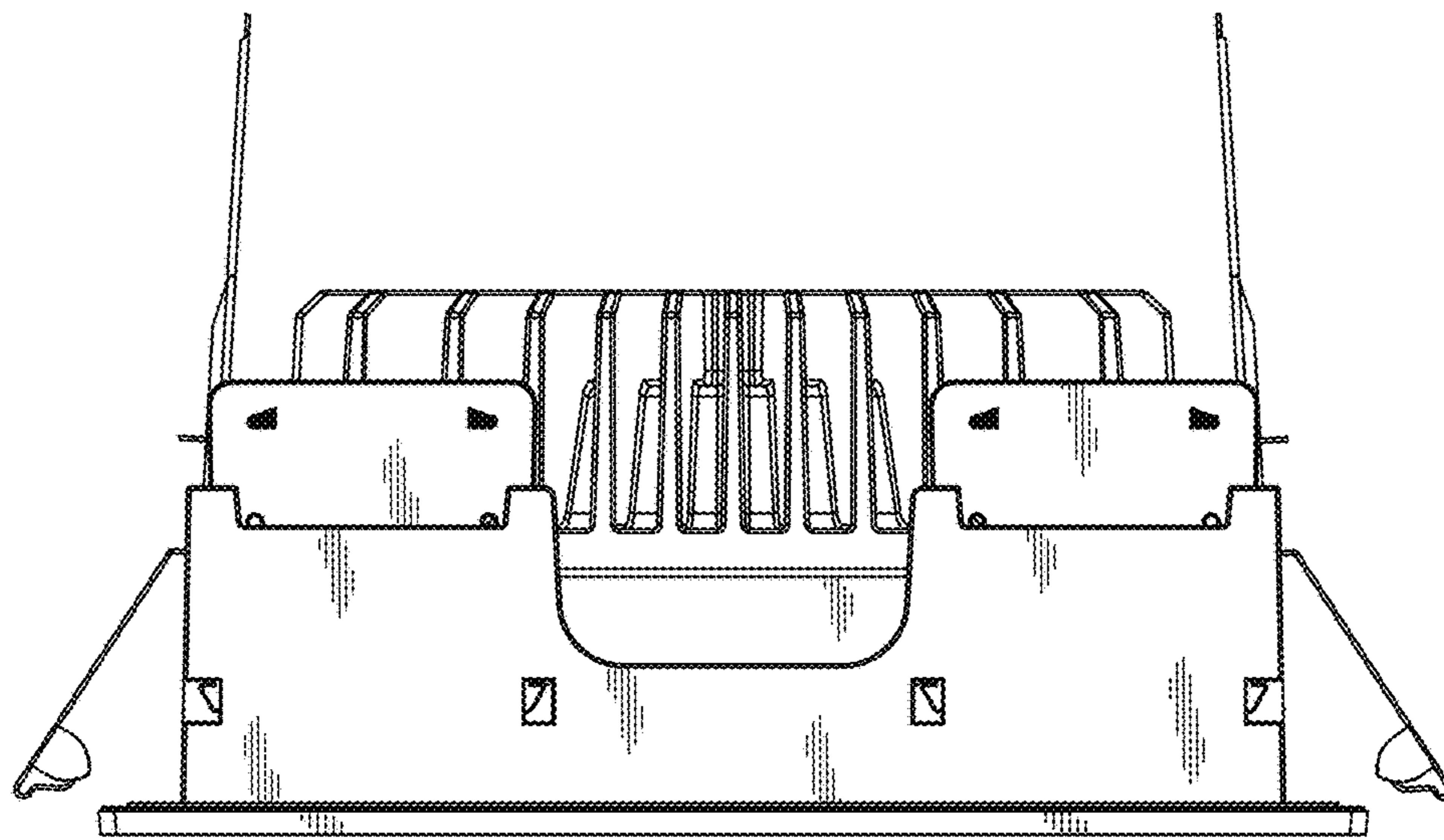


Fig. 3



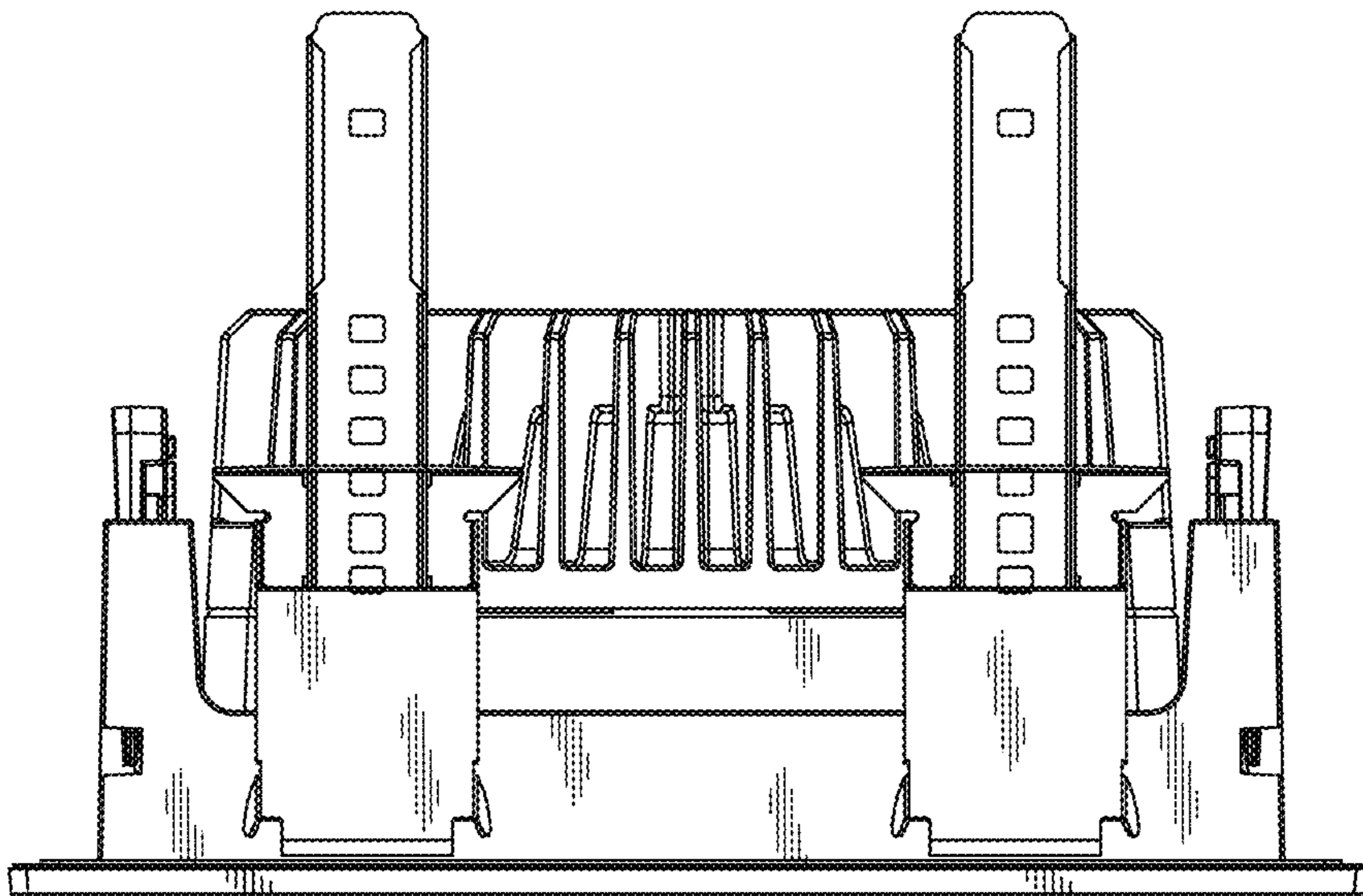


Fig. 4

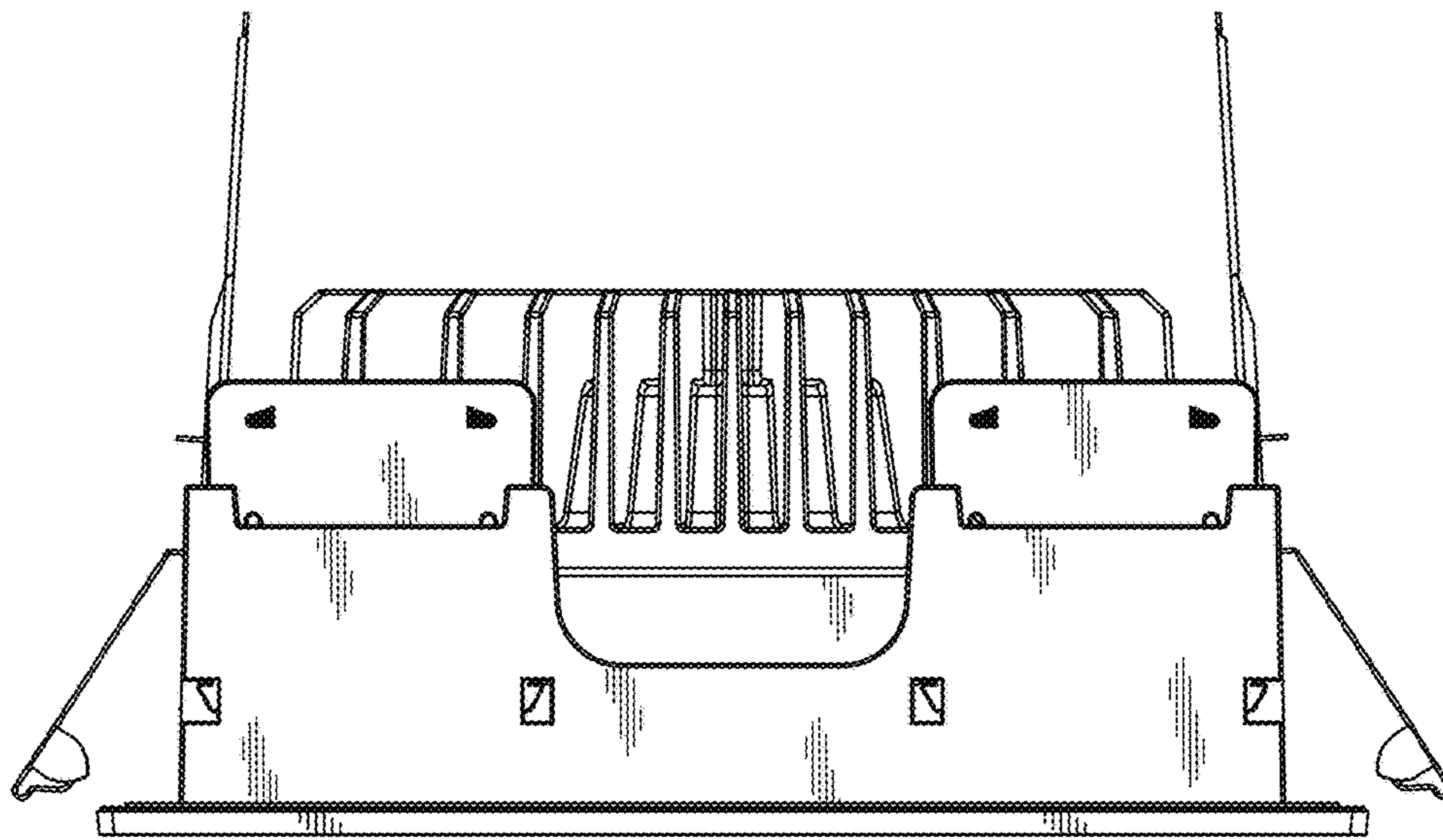


Fig. 5

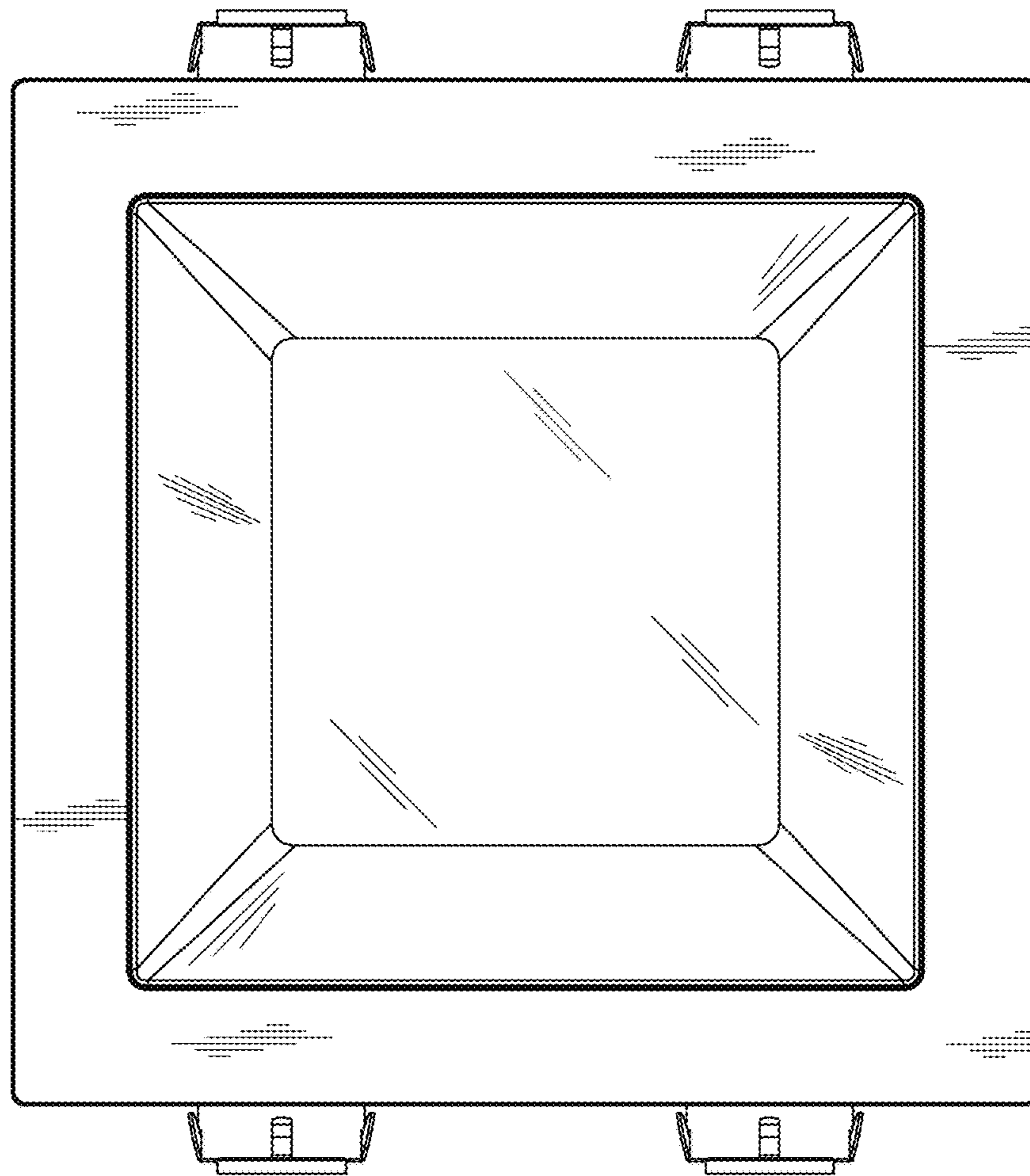


Fig. 6



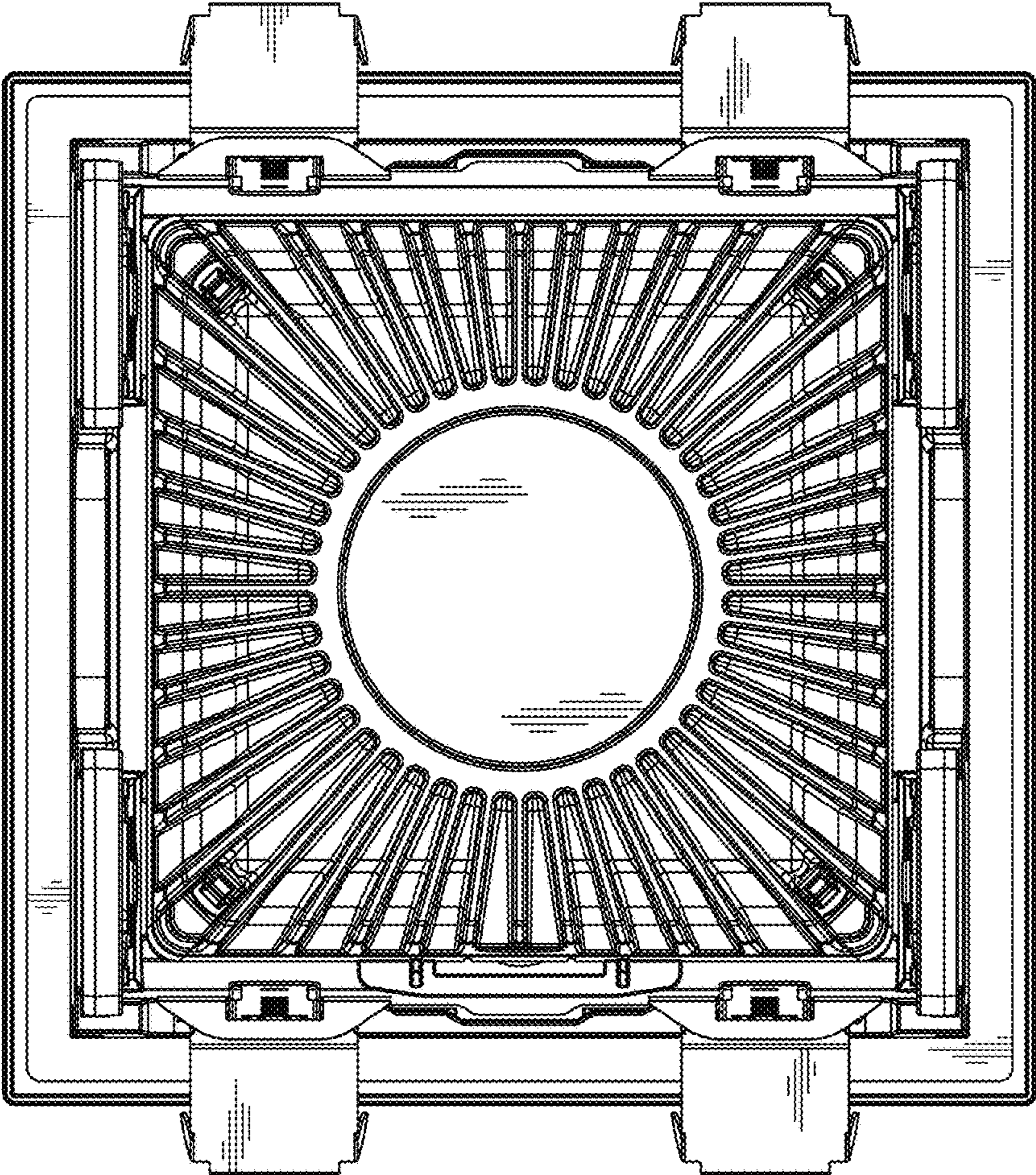


Fig. 7