



US00D779100S

(12) **United States Design Patent**  
**Redfern**

(10) **Patent No.:** **US D779,100 S**

(45) **Date of Patent:** **\*\* Feb. 14, 2017**

(54) **LUMINAIRE**

(71) Applicant: **ZUMTOBEL LIGHTING GMBH,**  
Lemgo (DE)

(72) Inventor: **Christopher Redfern,**  
Henley-on-Thames (GB)

(73) Assignee: **ZUMTOBEL LIGHTING GMBH,**  
Lemgo (DE)

(\*\*) Term: **15 Years**

(21) Appl. No.: **29/546,156**

(22) Filed: **Nov. 19, 2015**

(30) **Foreign Application Priority Data**

May 21, 2015 (EM) ..... 002 704 742

(51) **LOC (10) Cl.** ..... **26-05**

(52) **U.S. Cl.**  
USPC ..... **D26/74**

(58) **Field of Classification Search**  
USPC ..... D26/74, 72, 75, 76, 77, 78, 85, 88, 89,  
D26/118, 138, 141; 362/364, 365, 373,  
362/145, 146, 147, 148, 150, 153, 153.1,  
362/294, 296.01, 296.07, 296.08  
CPC ..... F21V 29/2262; F21V 7/06; F21V 21/044;  
F21V 21/047; F21V 29/2212; F21V  
29/2225; F21V 29/2256; F21V 29/225;  
F21V 29/2268; F21Y 2111/002; F21S  
8/02; F21S 8/026

See application file for complete search history.

(56) **References Cited**

U.S. PATENT DOCUMENTS

D624,691 S *	9/2010	Zhang .....	D26/138
D640,819 S *	6/2011	Pan .....	D26/74
D656,263 S *	3/2012	Ogawa .....	D26/74
D672,899 S *	12/2012	Van De Ven .....	D26/74
D683,882 S *	6/2013	Rashidi .....	D26/74
D684,288 S *	6/2013	Gielen .....	D26/74
D687,587 S *	8/2013	Rashidi .....	D26/74
D690,049 S *	9/2013	Rashidi .....	D26/74
D708,381 S *	7/2014	Rashidi .....	D26/74
D739,590 S *	9/2015	Redfern .....	D26/74

\* cited by examiner

*Primary Examiner* — Angela J Lee

(74) *Attorney, Agent, or Firm* — Scully, Scott, Murphy & Presser, P.C.

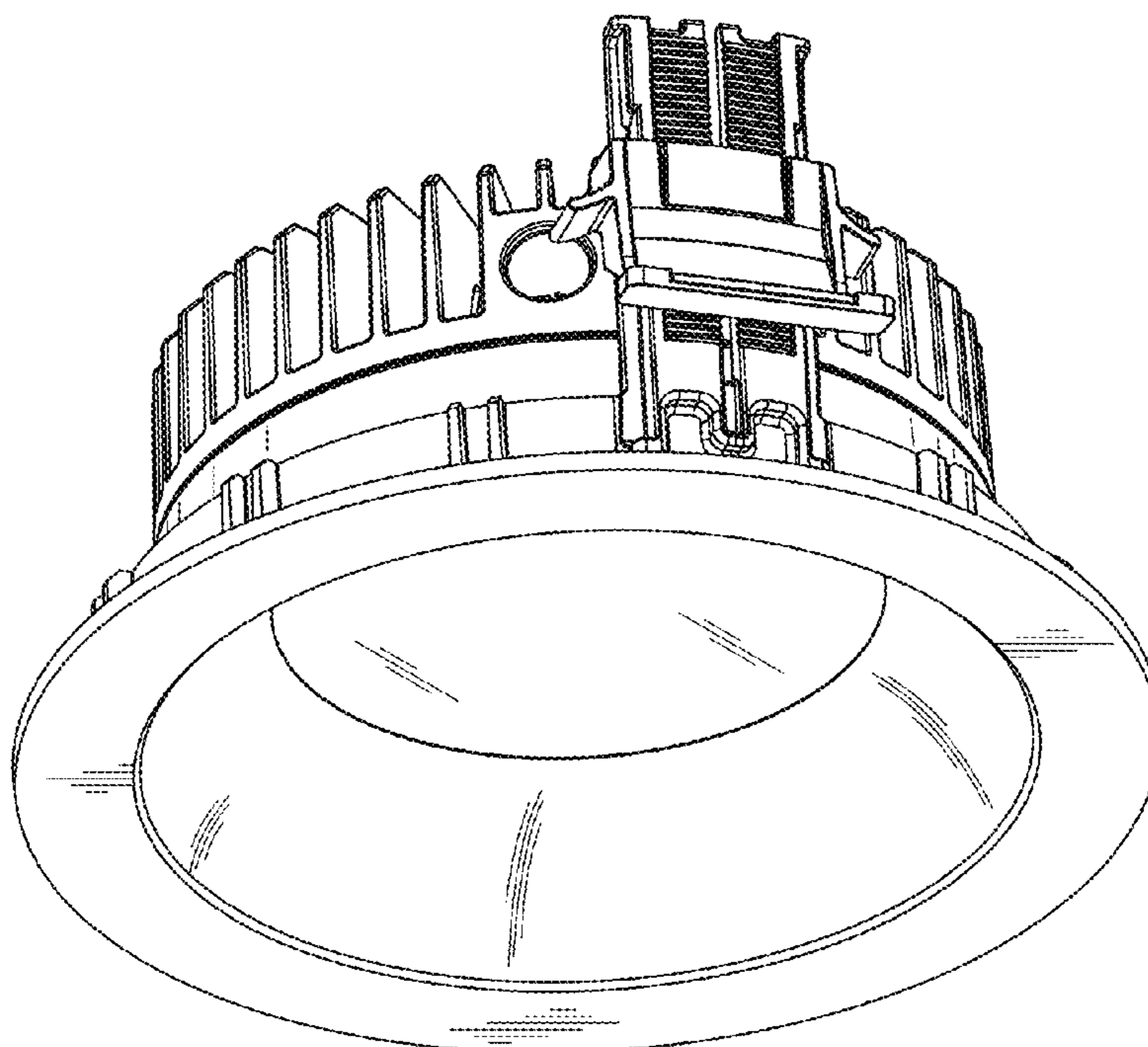
(57) **CLAIM**

The ornamental design for a luminaire, as shown and described.

**DESCRIPTION**

FIG. 1 illustrates a perspective view of the luminaire, showing my new and ornamental design; FIG. 2 illustrates a side view thereof; FIG. 3 illustrates a side view thereof; FIG. 4 illustrates a side view thereof; FIG. 5 illustrates a side view thereof; FIG. 6 illustrates a bottom thereof; and, FIG. 7 illustrates a top view thereof.

**1 Claim, 7 Drawing Sheets**



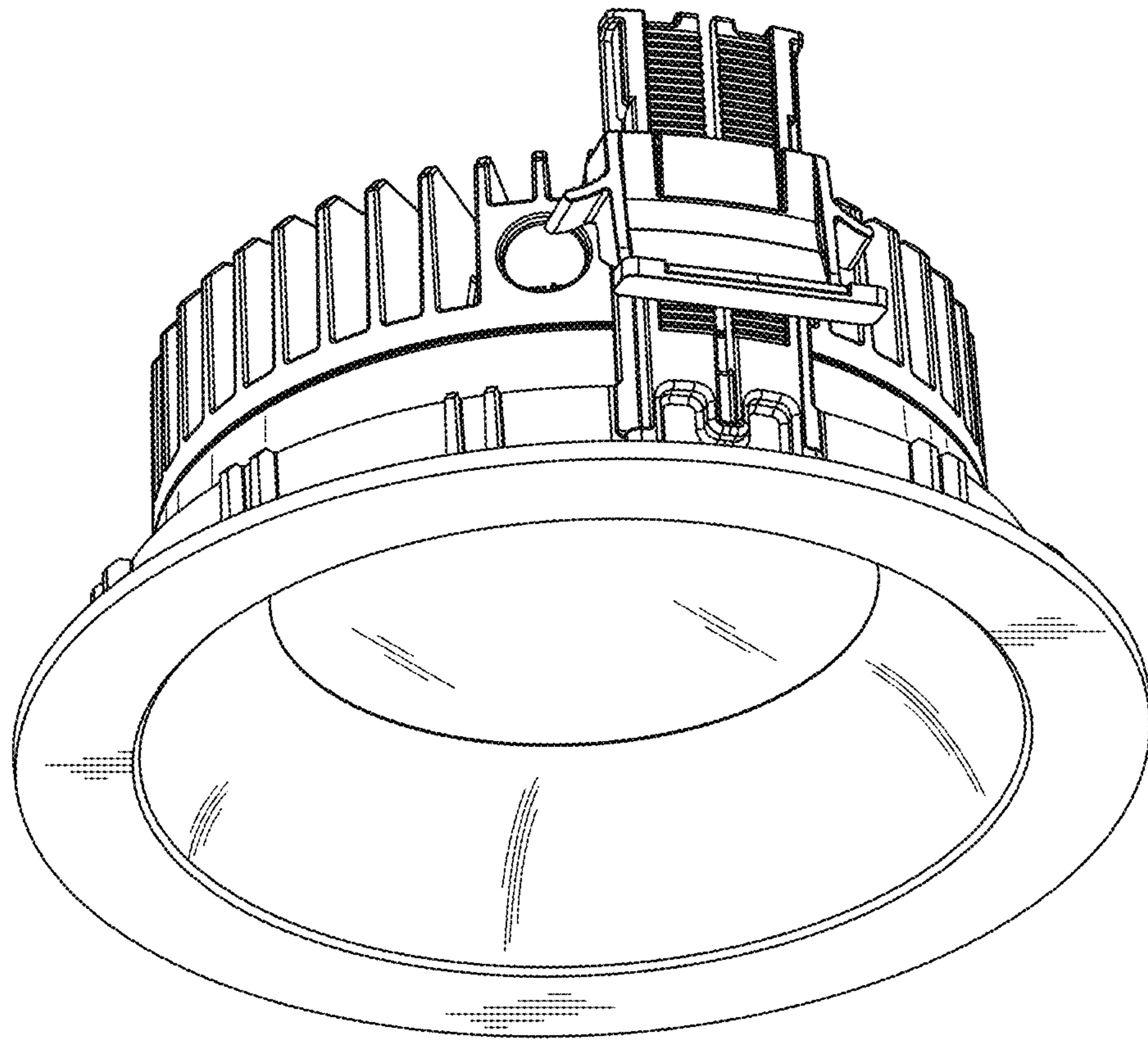


Fig. 1

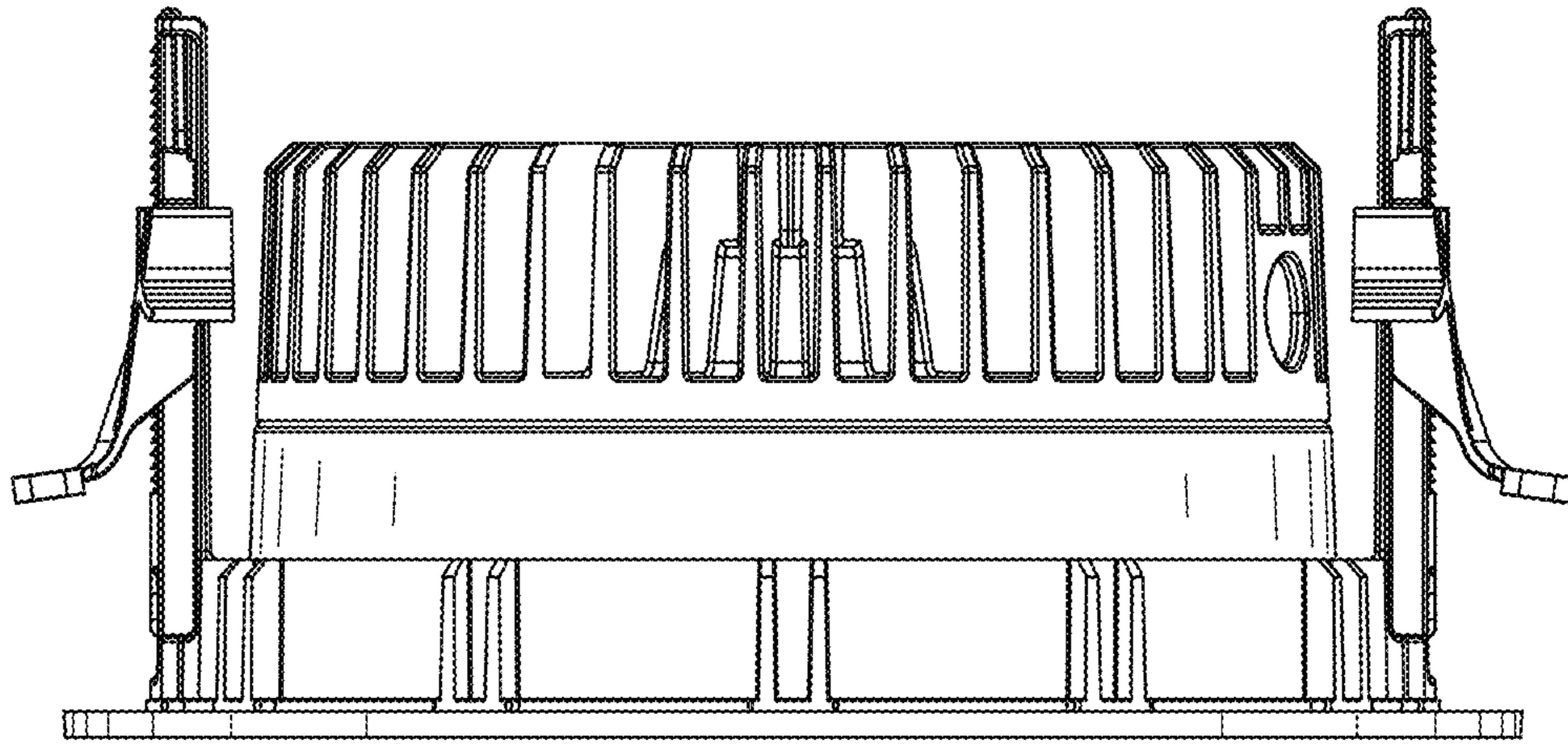


Fig. 2

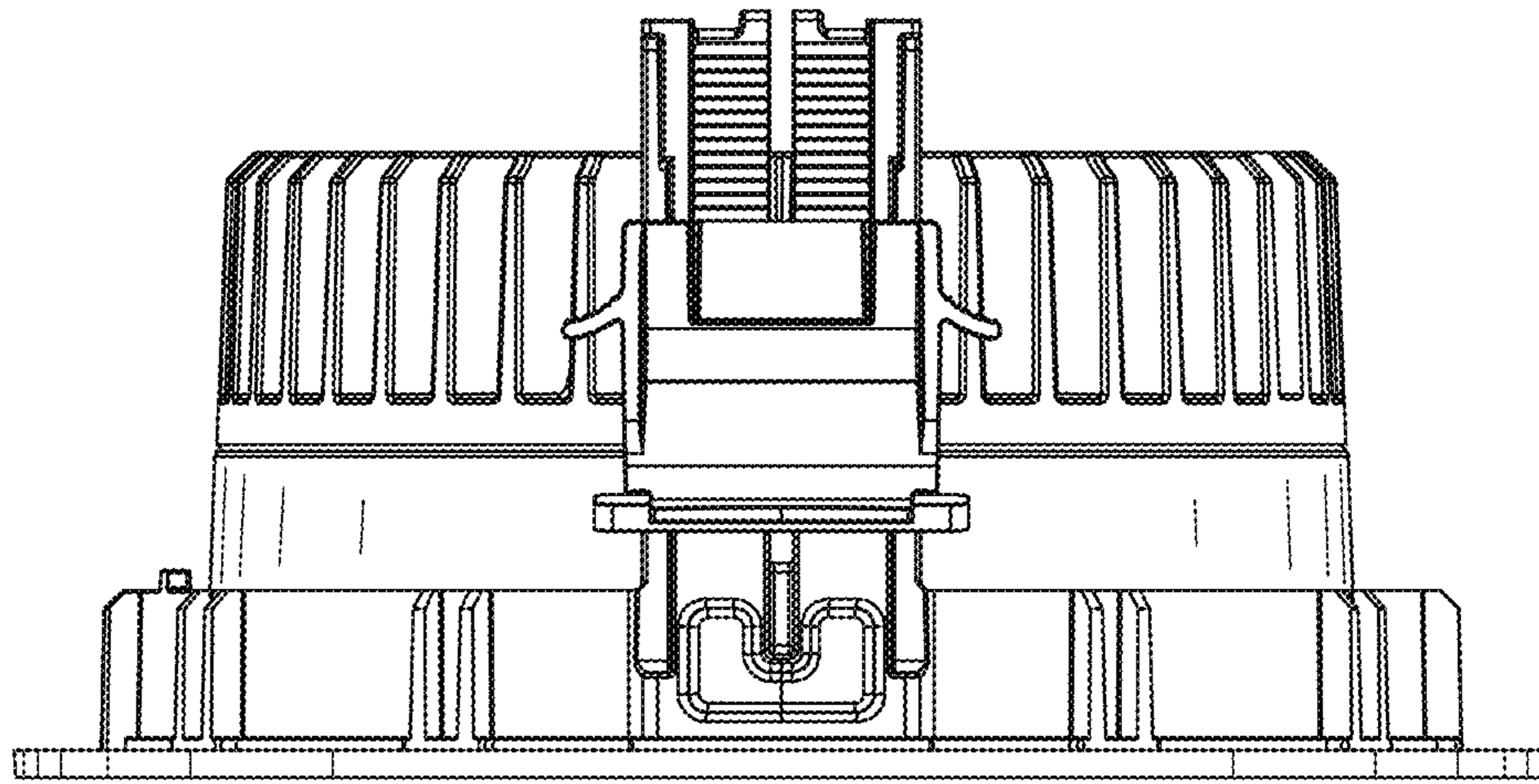


Fig. 3

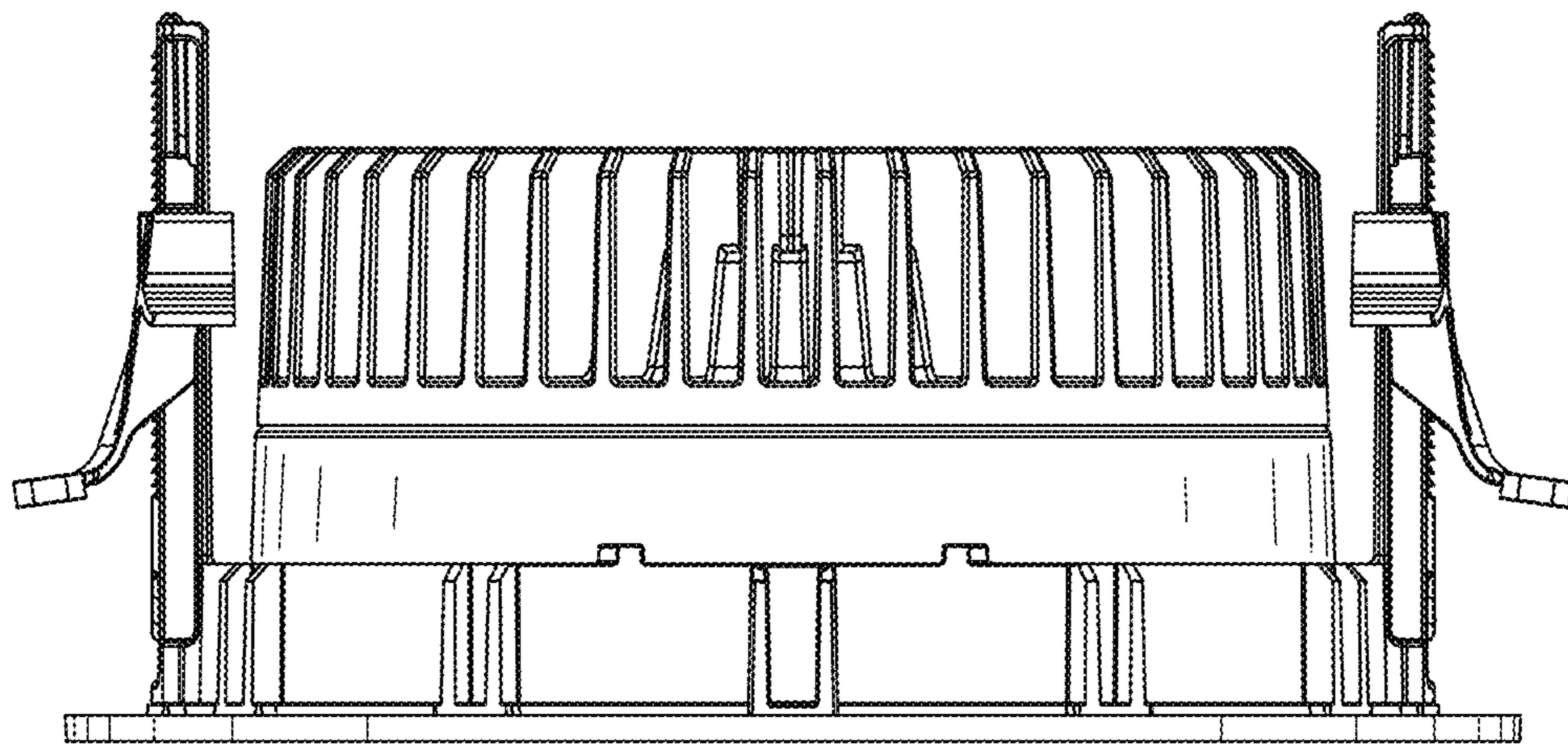


Fig. 4

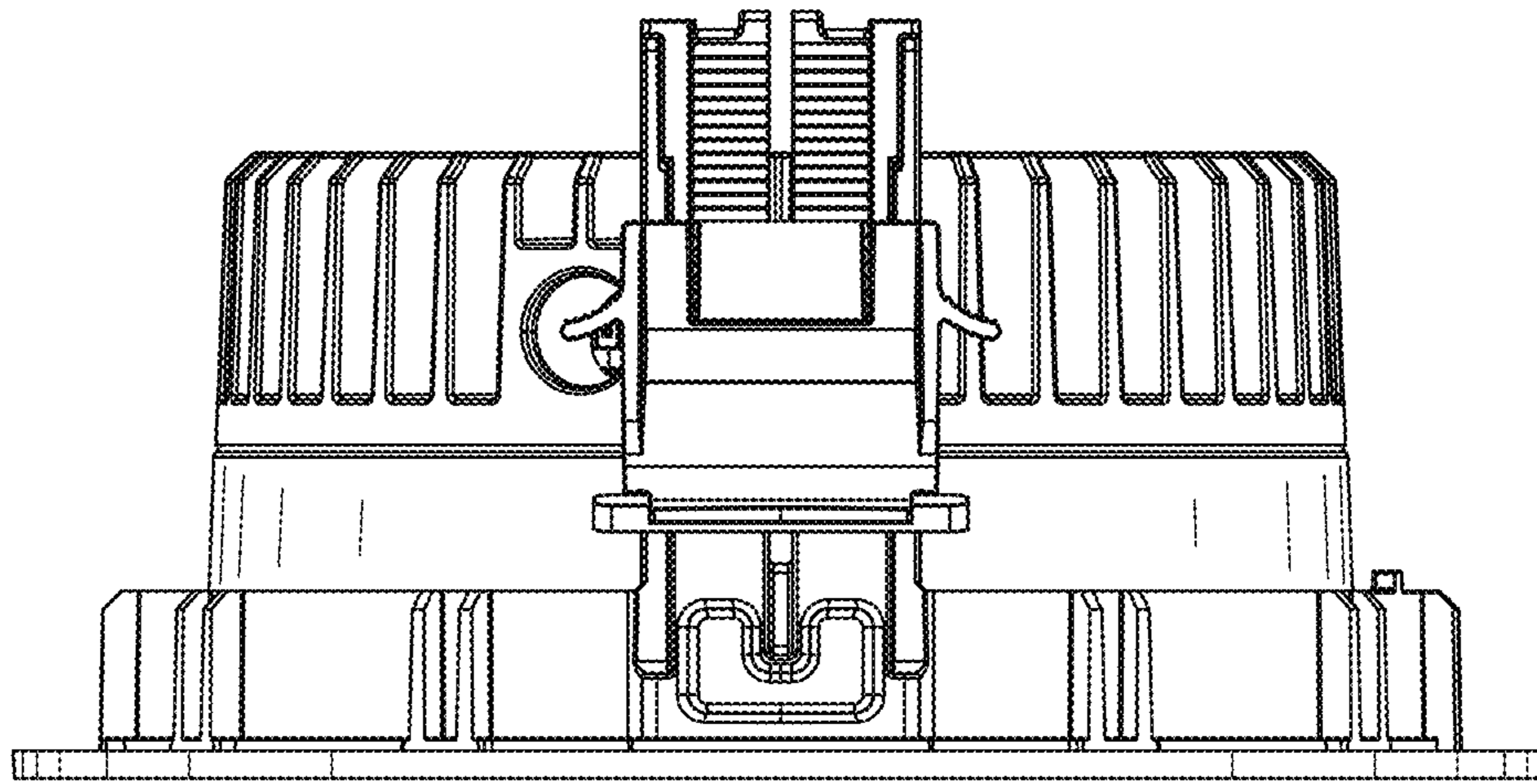


Fig. 5

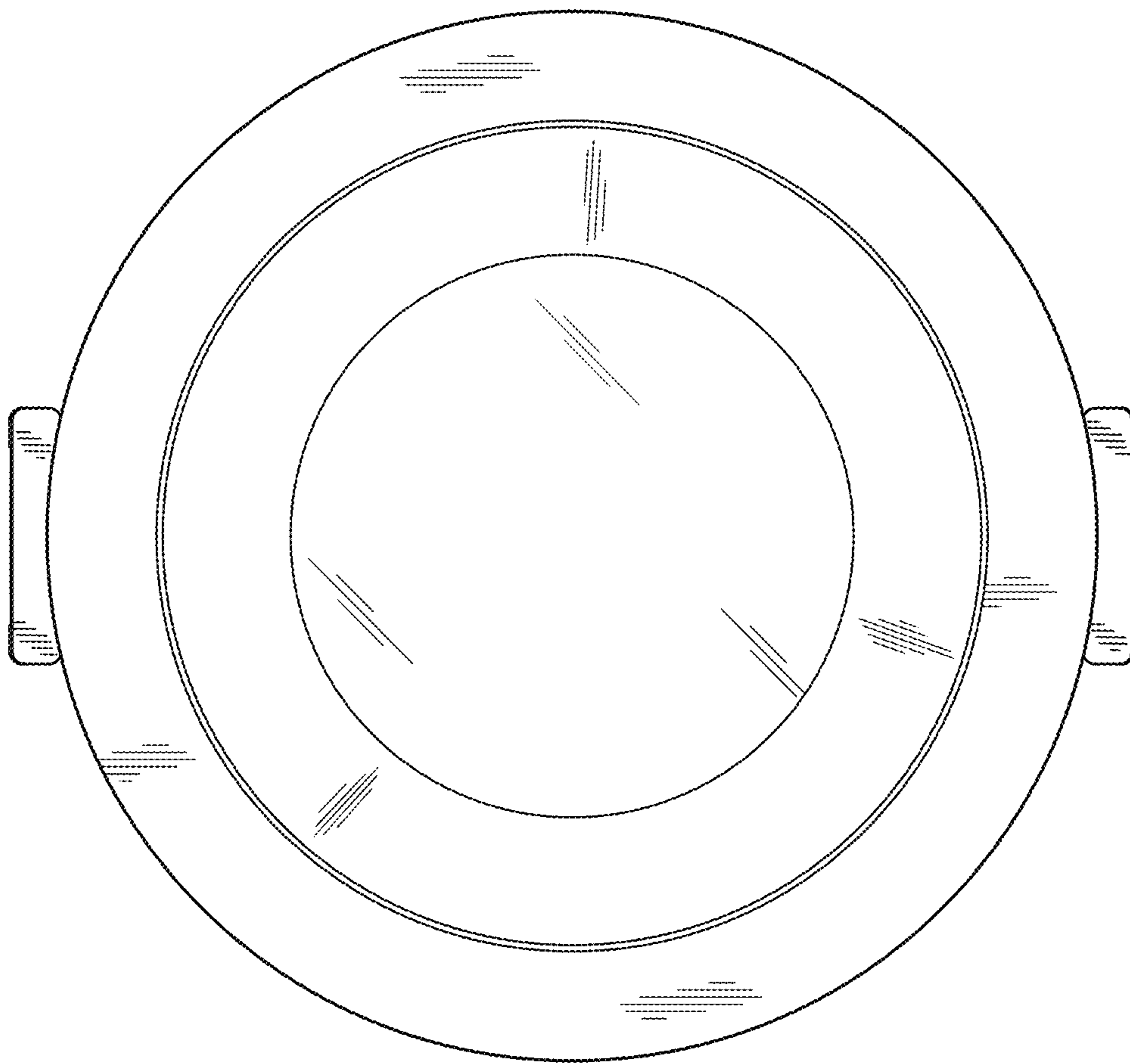


Fig. 6

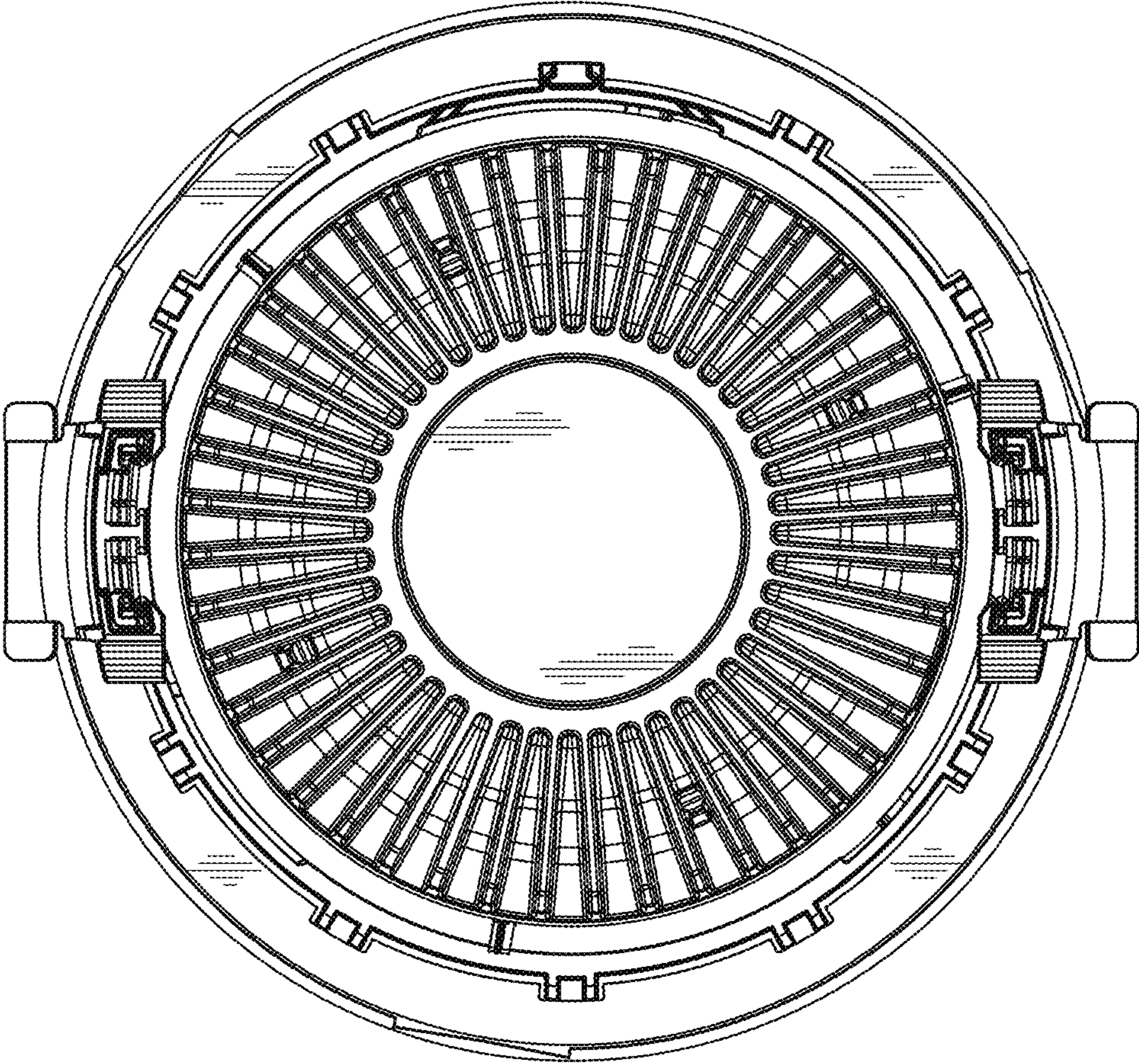


Fig. 7