



US00D779099S

(12) **United States Design Patent**
Beck et al.

(10) **Patent No.:** **US D779,099 S**

(45) **Date of Patent:** **** Feb. 14, 2017**

(54) **LUMINAIRE**

(71) Applicant: **Cree, Inc.**, Durham, NC (US)

(72) Inventors: **Benjamin P. Beck**, Union Grove, WI (US); **Christopher D. Strom**, Racine, WI (US); **Jeffrey M. Peterson**, Racine, WI (US)

(73) Assignee: **Cree, Inc.**, Durham, NC (US)

(**) Term: **15 Years**

(21) Appl. No.: **29/528,677**

(22) Filed: **May 29, 2015**

(51) **LOC (10) Cl.** **26-05**

(52) **U.S. Cl.**
USPC **D26/74**

(58) **Field of Classification Search**
USPC D26/74, 72, 75, 76, 77, 78, 85, 88, 89, D26/118, 138, 141; 362/364, 365, 373, 362/145, 146, 147, 148, 150, 153, 153.1, 362/294, 296.01, 296.07, 296.08
CPC F21V 29/2262; F21V 7/06; F21V 21/044; F21V 21/047; F21V 29/2212; F21V 29/2225; F21V 29/2256; F21V 29/225; F21V 29/2268; F21Y 2111/002; F21S 8/02; F21S 8/026
See application file for complete search history.

(56) **References Cited**

U.S. PATENT DOCUMENTS

D596,330 S * 7/2009 Pickard D26/74
D681,859 S * 5/2013 Beregszaszi D26/74

D684,290 S * 6/2013 Goelz D26/74
D684,720 S * 6/2013 Rashidi D26/74
D691,760 S * 10/2013 Lopez D26/74
D696,448 S * 12/2013 Huh D26/74
D700,387 S * 2/2014 Snell D26/74
D705,472 S * 5/2014 Huh D26/74
D714,989 S * 10/2014 Rowlette, Jr. D26/74
D723,728 S * 3/2015 Jeswani D26/74
D726,949 S * 4/2015 Redfern D26/74
D739,590 S * 9/2015 Redfern D26/74
2013/0286646 A1 * 10/2013 Snell F21V 13/04
362/231

* cited by examiner

Primary Examiner — Angela J Lee

(74) *Attorney, Agent, or Firm* — McCracken & Gillen LLC

(57) **CLAIM**

The ornamental design for a luminaire, as shown and described.

DESCRIPTION

FIG. 1 is a top isometric view of the ornamental design for the luminaire;
FIG. 2 is a bottom isometric view thereof;
FIG. 3 is a front elevational view thereof;
FIG. 4 is a right side elevational view thereof;
FIG. 5 is a left side elevational view thereof;
FIG. 6 is a back elevational view thereof;
FIG. 7 is a top plan view thereof; and,
FIG. 8 is a bottom plan view thereof.
The subject matter shown in dashed lines is for illustrative purposes only and forms no part of the claimed invention.

1 Claim, 8 Drawing Sheets

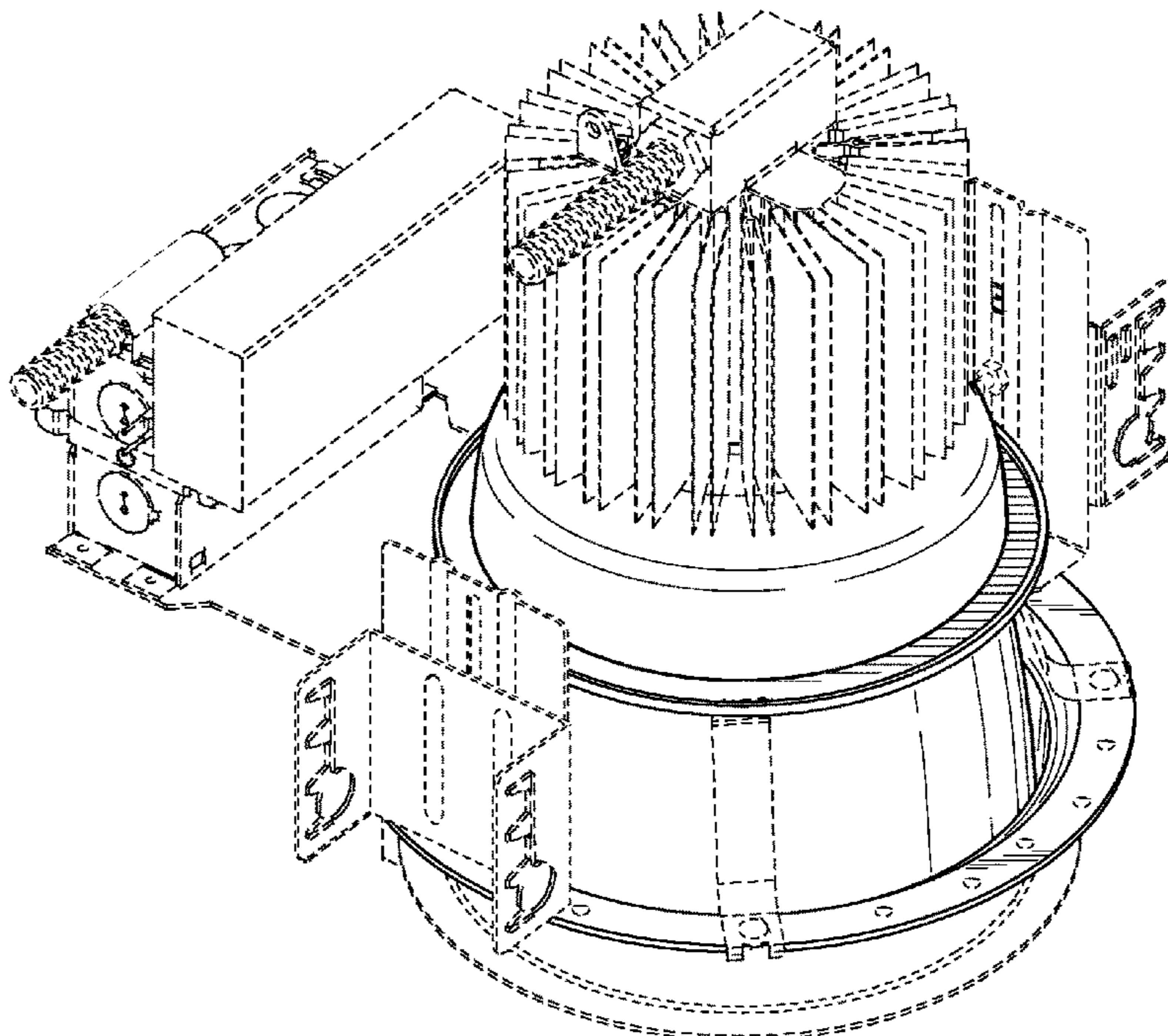


FIG. 1

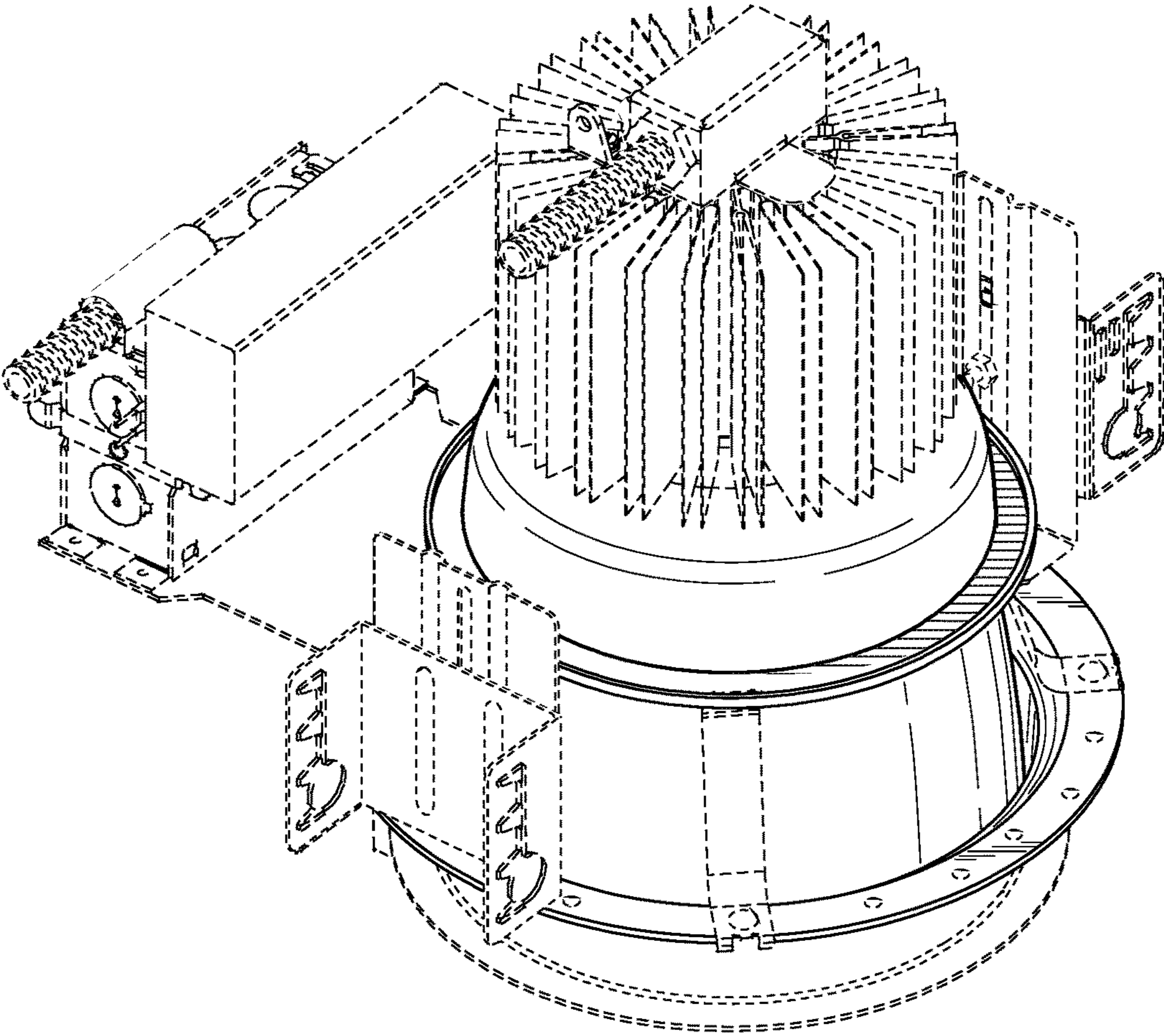


FIG. 2

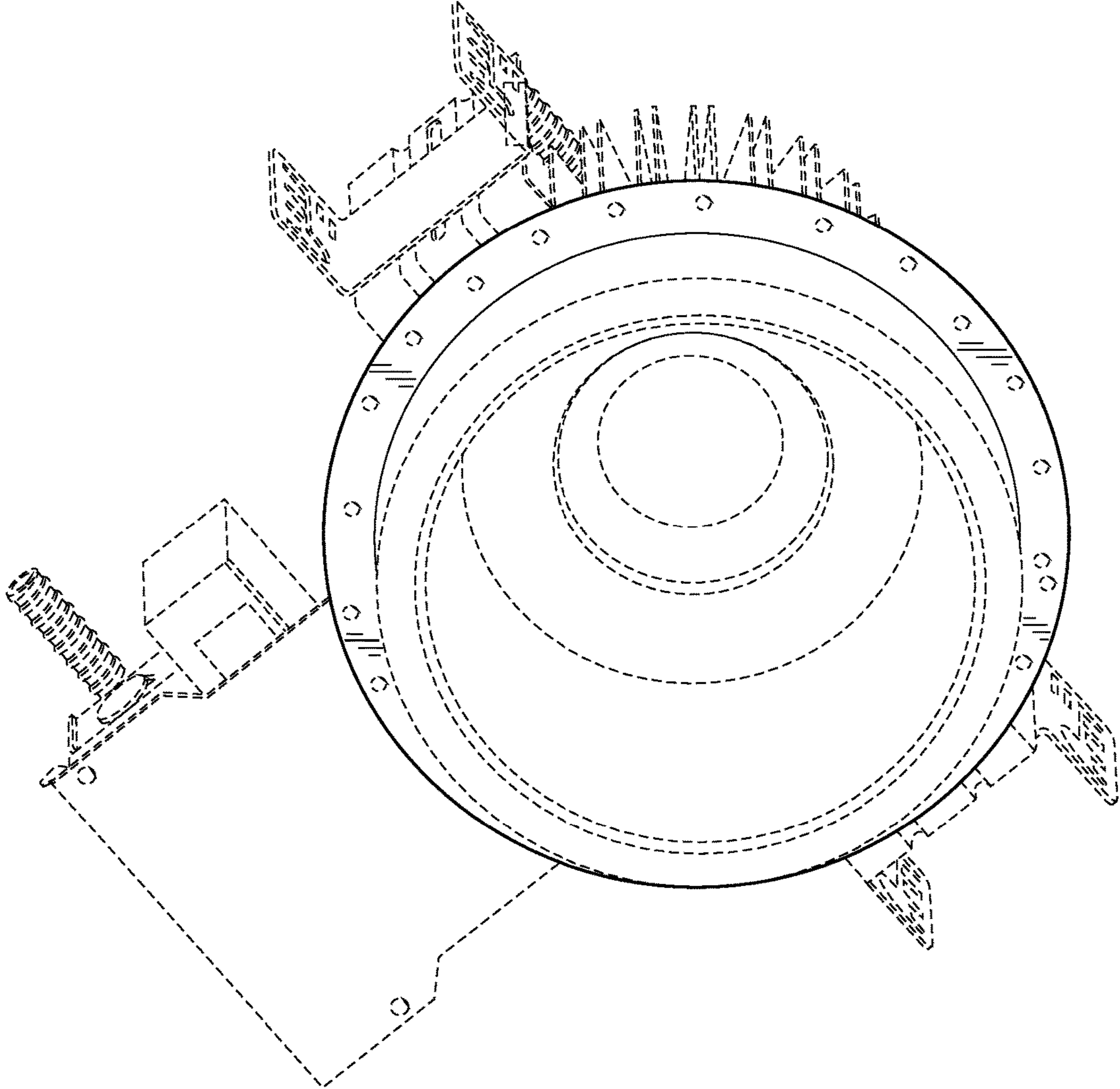


FIG. 3

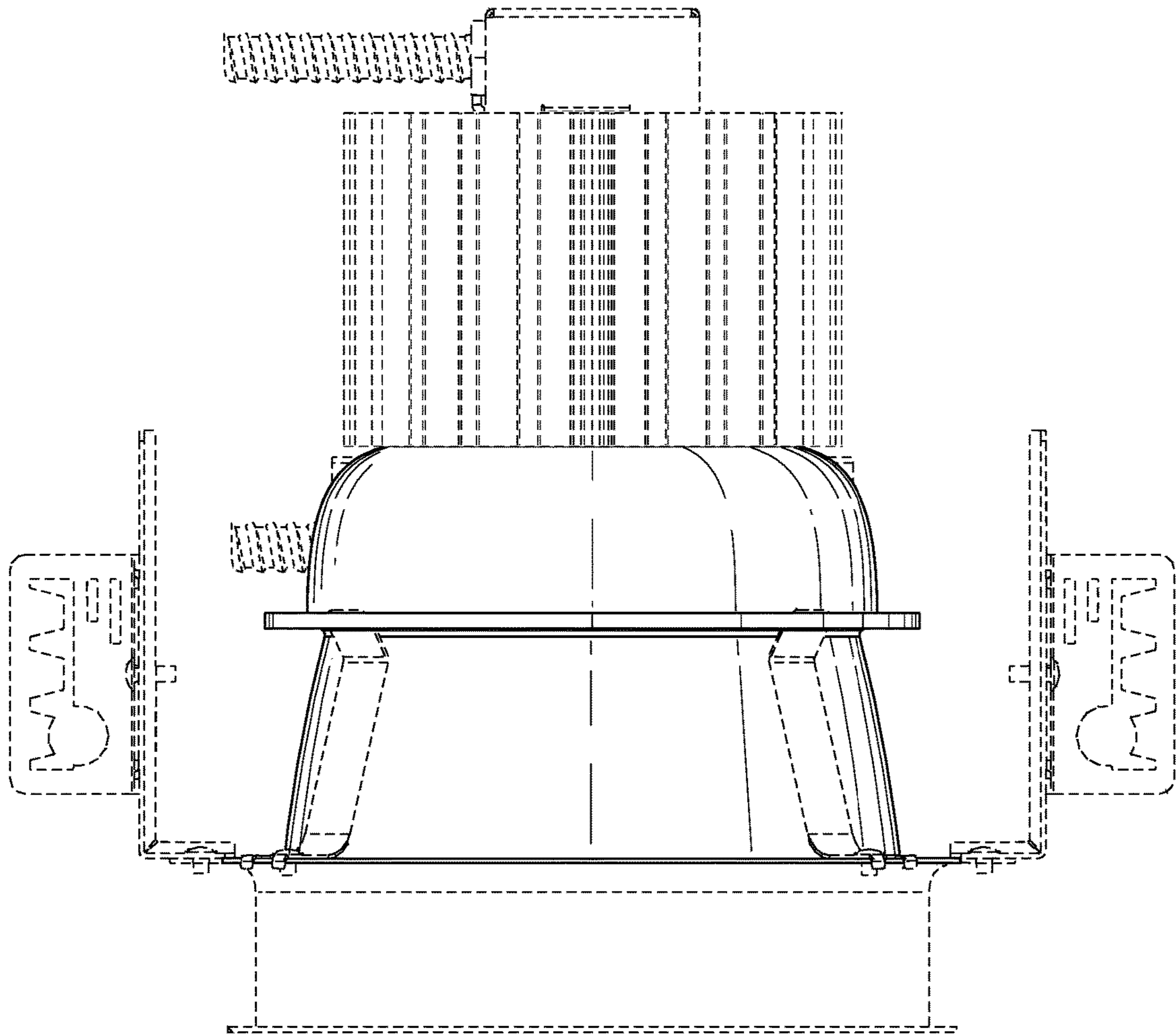


FIG. 4

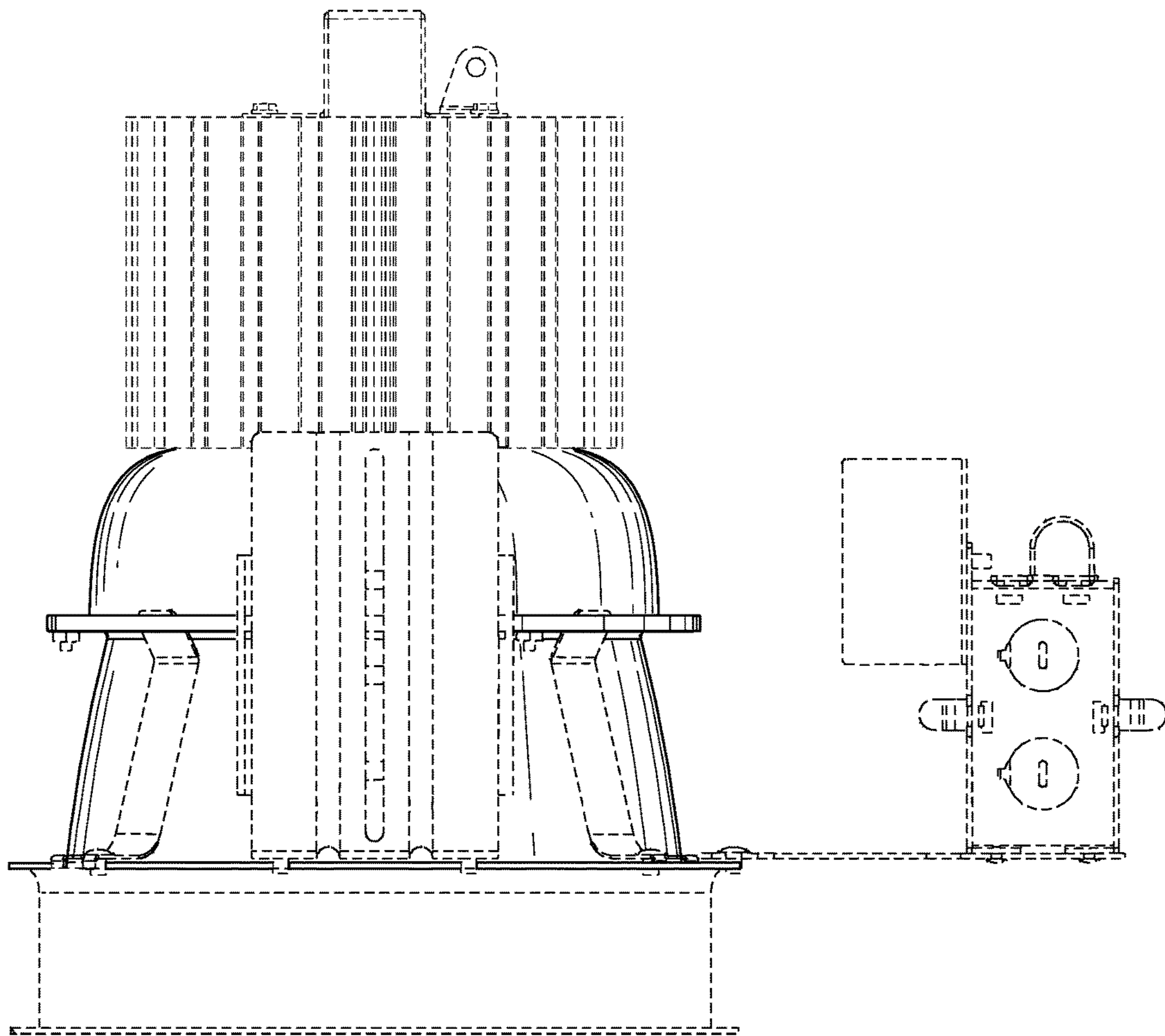


FIG. 5

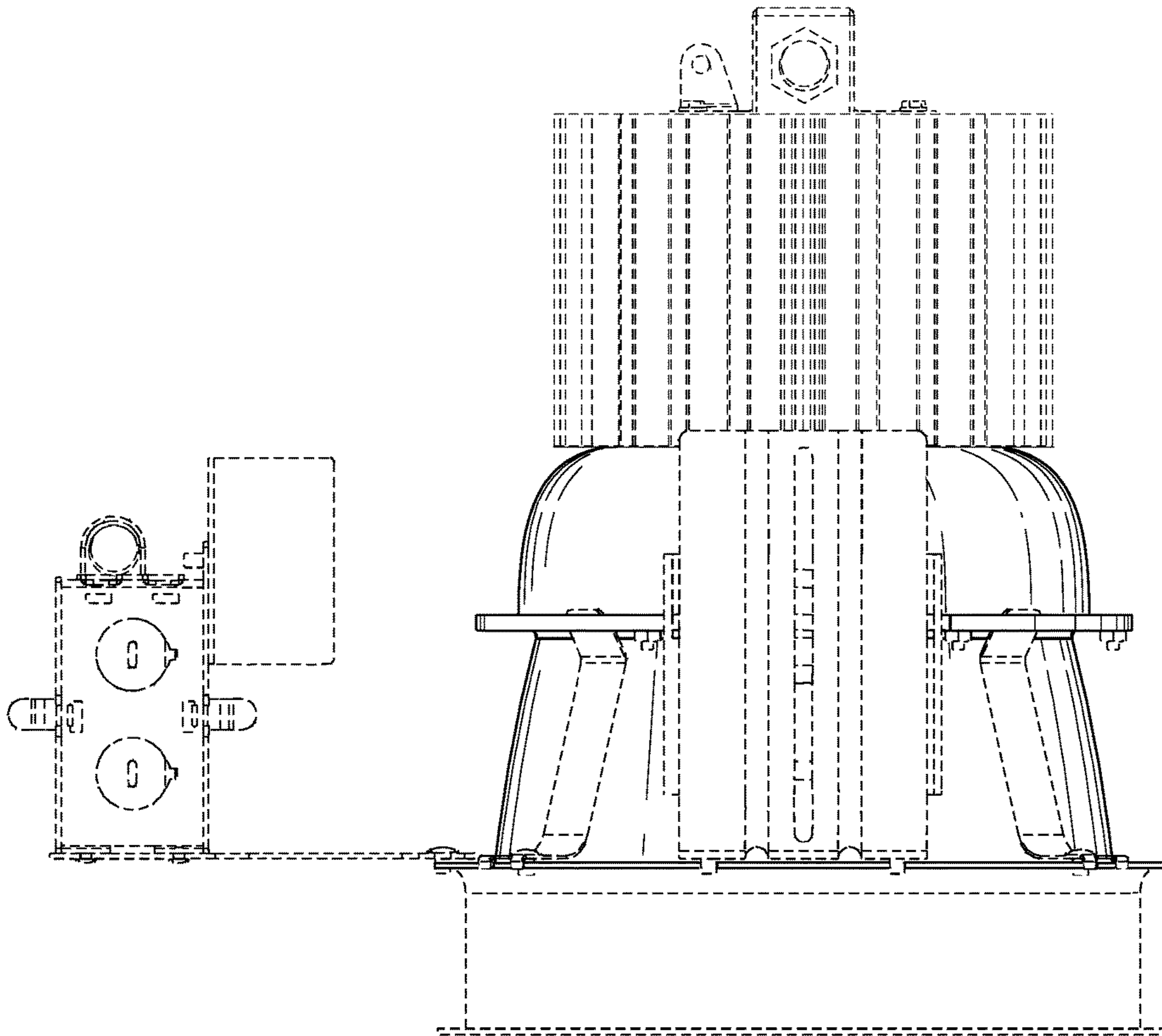


FIG. 6

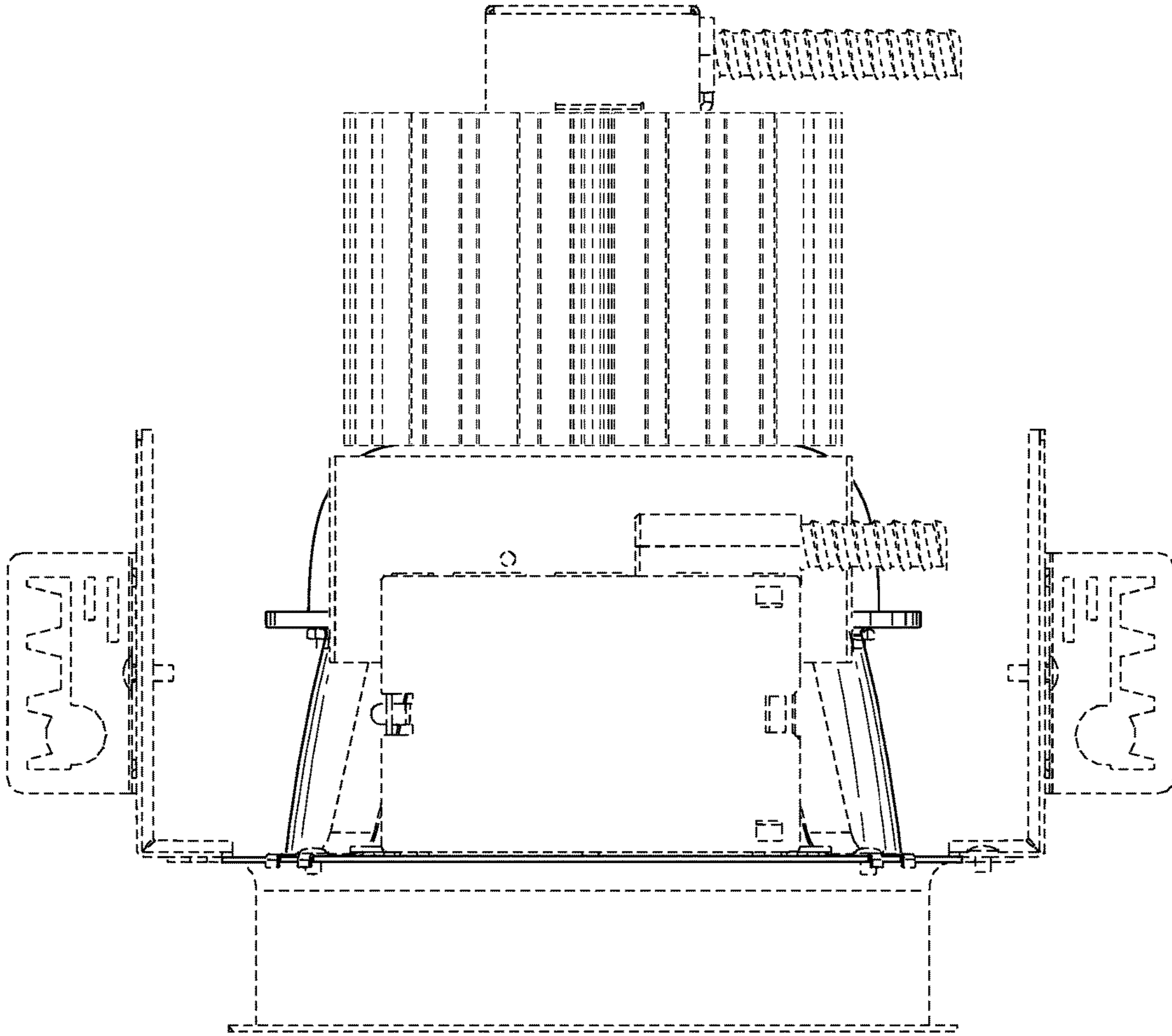


FIG. 7

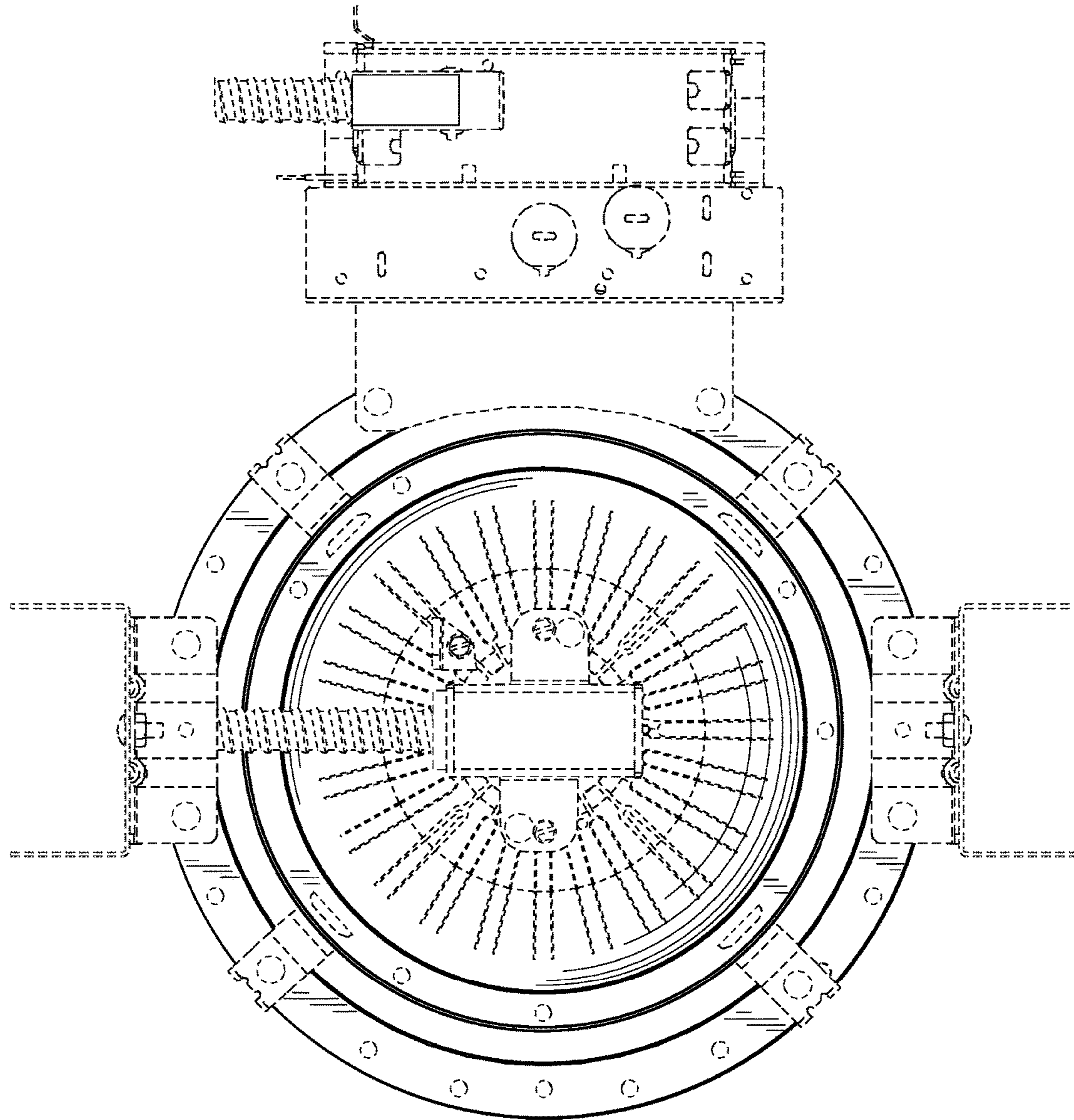


FIG. 8

