



US00D779098S

(12) **United States Design Patent**
Tsai

(10) **Patent No.:** **US D779,098 S**

(45) **Date of Patent:** **** Feb. 14, 2017**

(54) **LASER LIGHT**

(71) Applicant: **KE M.O. HOUSE CO., LTD.**,
Shenzhen (CN)

(72) Inventor: **Mo-Tsan Tsai**, Shenzhen (CN)

(73) Assignee: **KE M.O. HOUSE CO., LTD.**,
Shenzhen (CN)

(**) Term: **15 Years**

(21) Appl. No.: **29/552,720**

(22) Filed: **Jan. 25, 2016**

(51) **LOC (10) Cl.** **26-05**

(52) **U.S. Cl.**
USPC **D26/67**

(58) **Field of Classification Search**
USPC D26/63, 67-70; D10/113.2
CPC F21S 8/08; F21S 8/081; F21S 8/083;
F21S 8/088; F21S 9/03; F21S
9/032; F21S 9/035; F21S 9/037; F21S
6/003; F21S 6/004; F21S 6/005; F21W
2131/109; F21W 2111/023; F21V
21/0824

See application file for complete search history.

(56) **References Cited**

U.S. PATENT DOCUMENTS

D185,596 S *	6/1959	Dean et al.	D26/63
D205,082 S *	6/1966	Morgan, Jr.	D26/63
D233,779 S *	11/1974	Kennedy et al.	D26/63
D234,712 S *	4/1975	Kennedy et al.	D26/63
D333,529 S *	2/1993	Denison	D26/63
D370,070 S *	5/1996	Kay	D26/63
D399,018 S *	9/1998	Jensen	D26/63

D437,071 S *	1/2001	Andrus	D26/63
D542,959 S *	5/2007	Yao	D26/63
D544,978 S *	6/2007	Jianbo	D26/63
D547,894 S *	7/2007	Hu	D26/63
D551,789 S *	9/2007	Mullen	D26/63
D574,532 S *	8/2008	Lee	D26/63
D654,605 S *	2/2012	Chen	D26/63
D766,483 S *	9/2016	Khubani	D26/63
D766,484 S *	9/2016	Khubani	D26/63

* cited by examiner

Primary Examiner — Clare E Heflin

(74) *Attorney, Agent, or Firm* — Shimokaji IP

(57) **CLAIM**

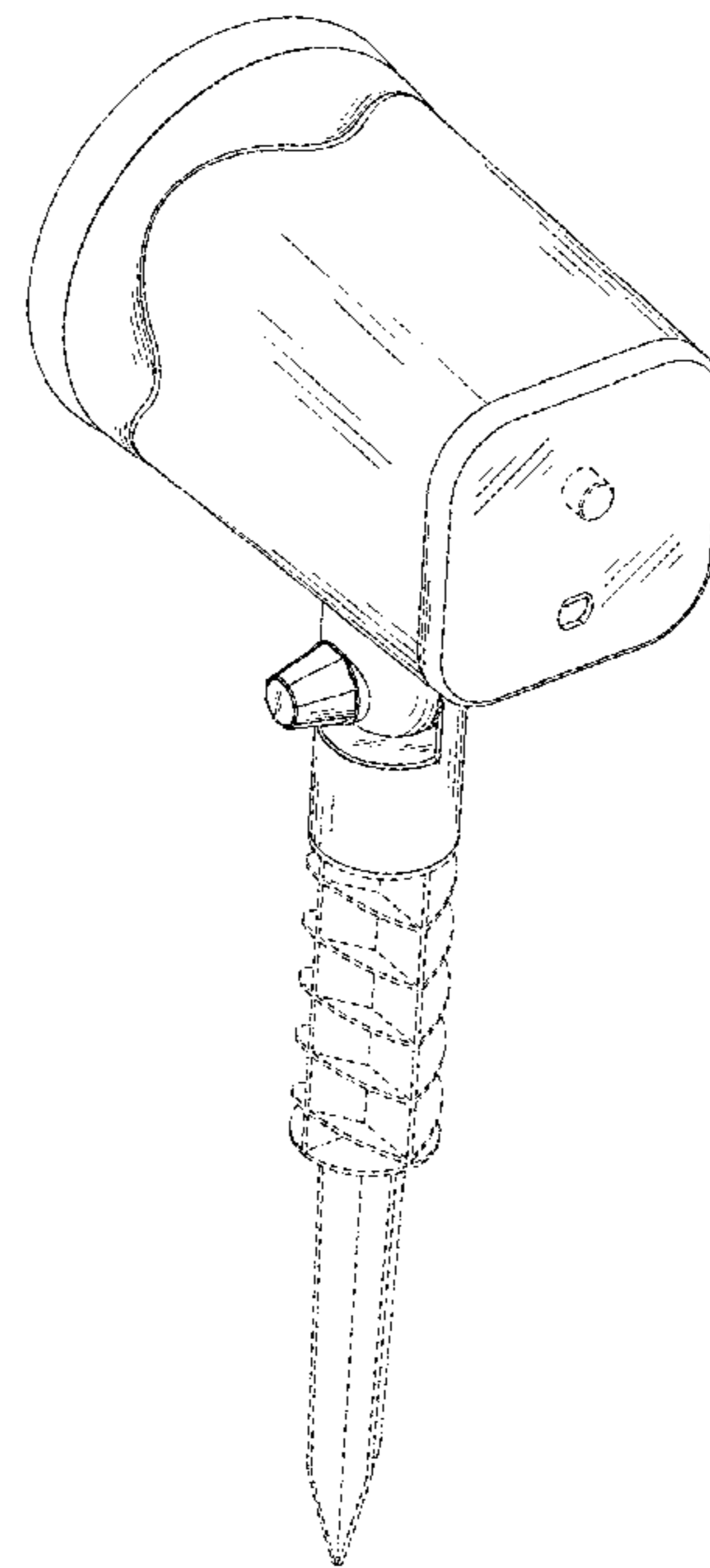
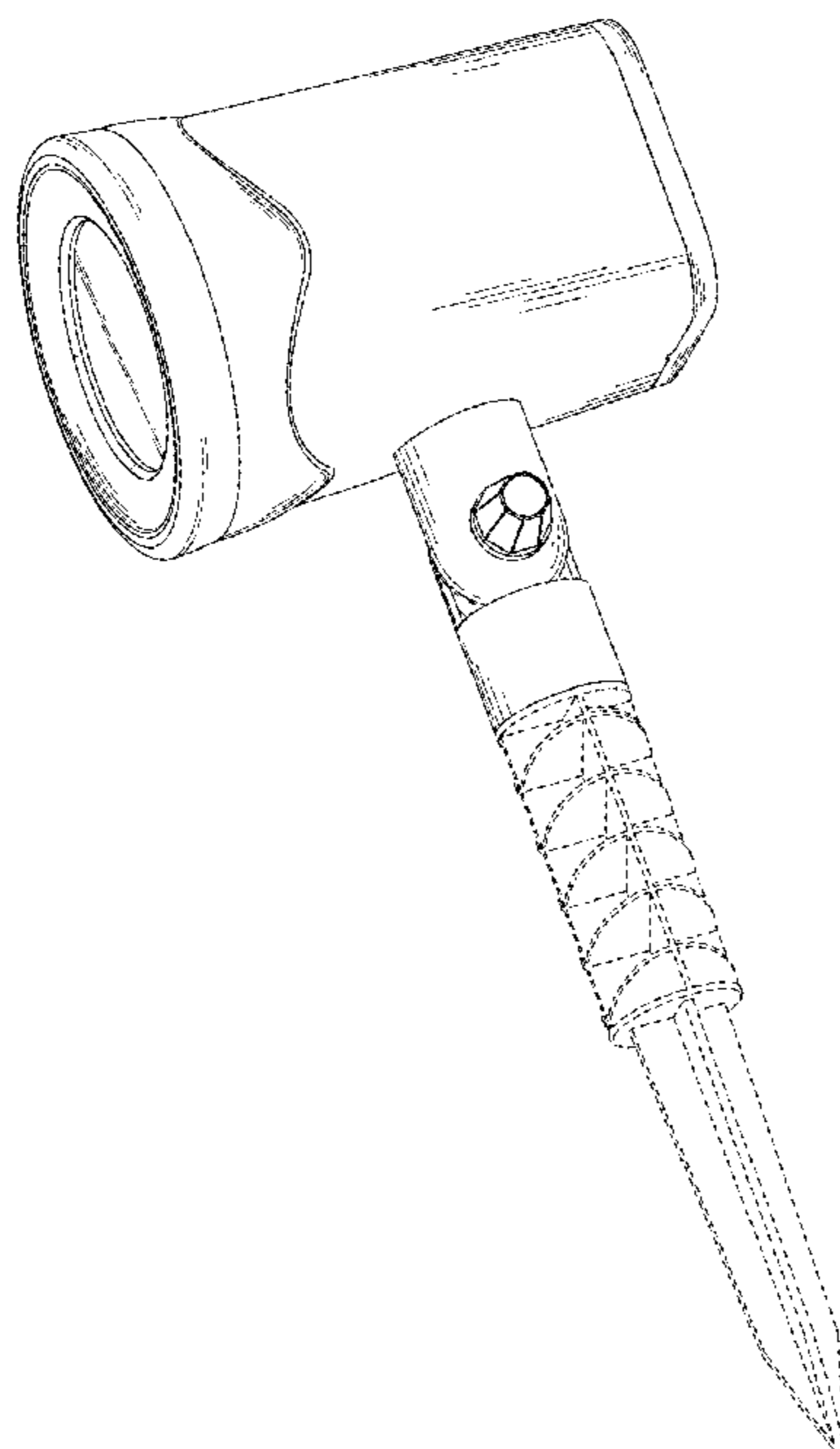
The ornamental design for a laser light, as shown and described.

DESCRIPTION

FIG. 1 is a rear view of the laser light showing the new design;
 FIG. 2 is a front view thereof;
 FIG. 3 is a left side view thereof;
 FIG. 4 is a right side view thereof;
 FIG. 5 is a top plan view thereof;
 FIG. 6 is a bottom plan view thereof;
 FIG. 7 is a perspective view of the front, bottom and right side thereof;
 FIG. 8 is a perspective view of the front, left and top side thereof; and,
 FIG. 9 is a perspective view of the rear, right and top side thereof.

The broken lines shown on the drawings depict portions of the laser light that form no part of the claimed design.

1 Claim, 8 Drawing Sheets



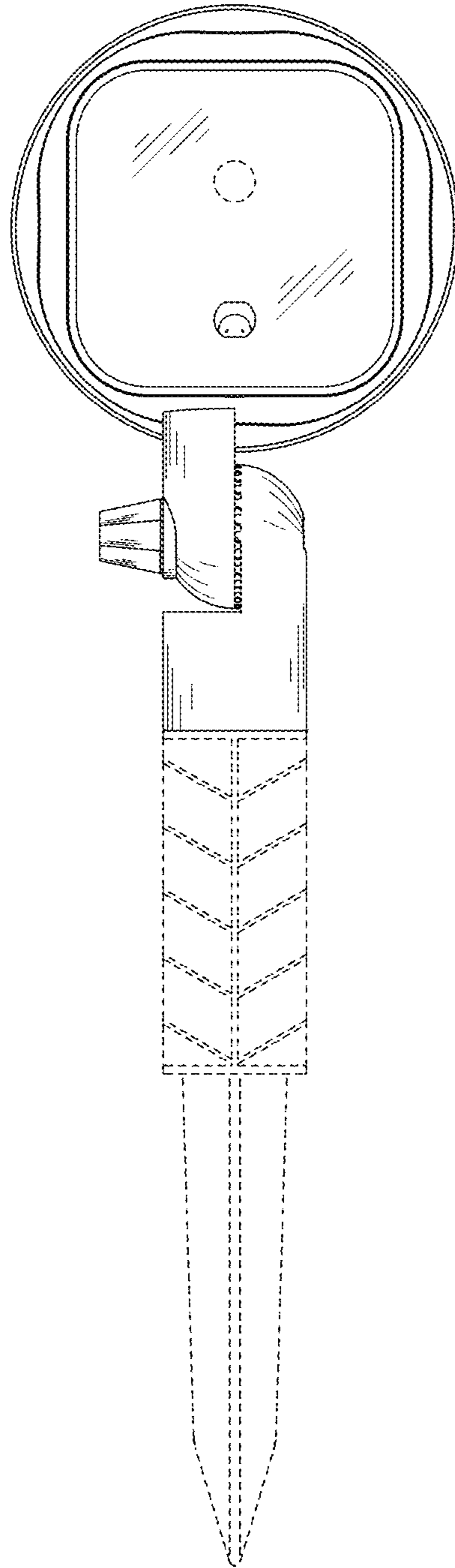


FIG.1

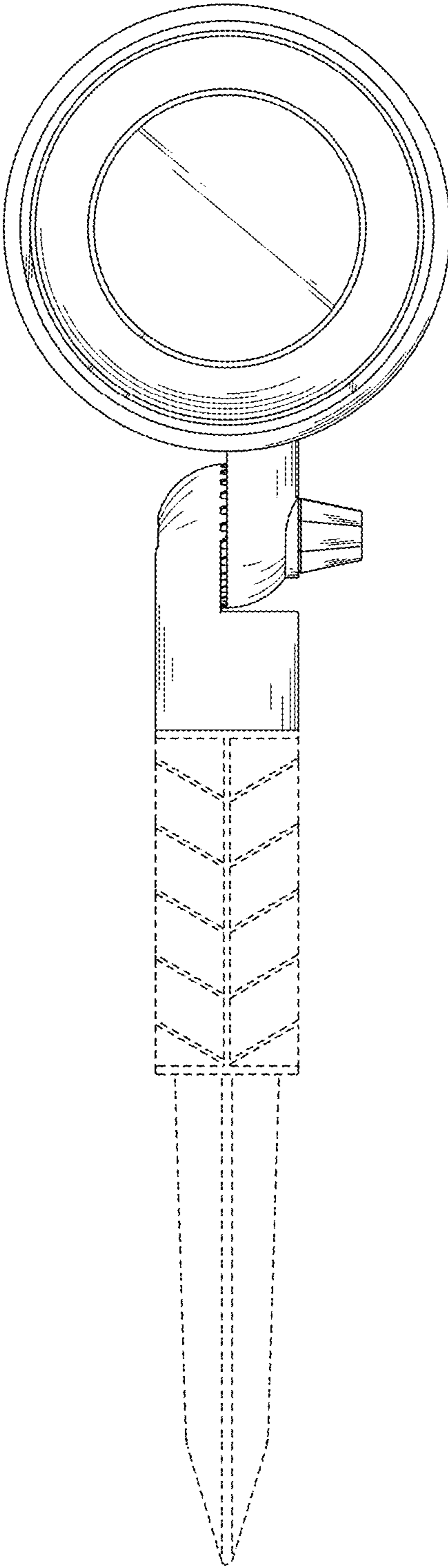


FIG.2

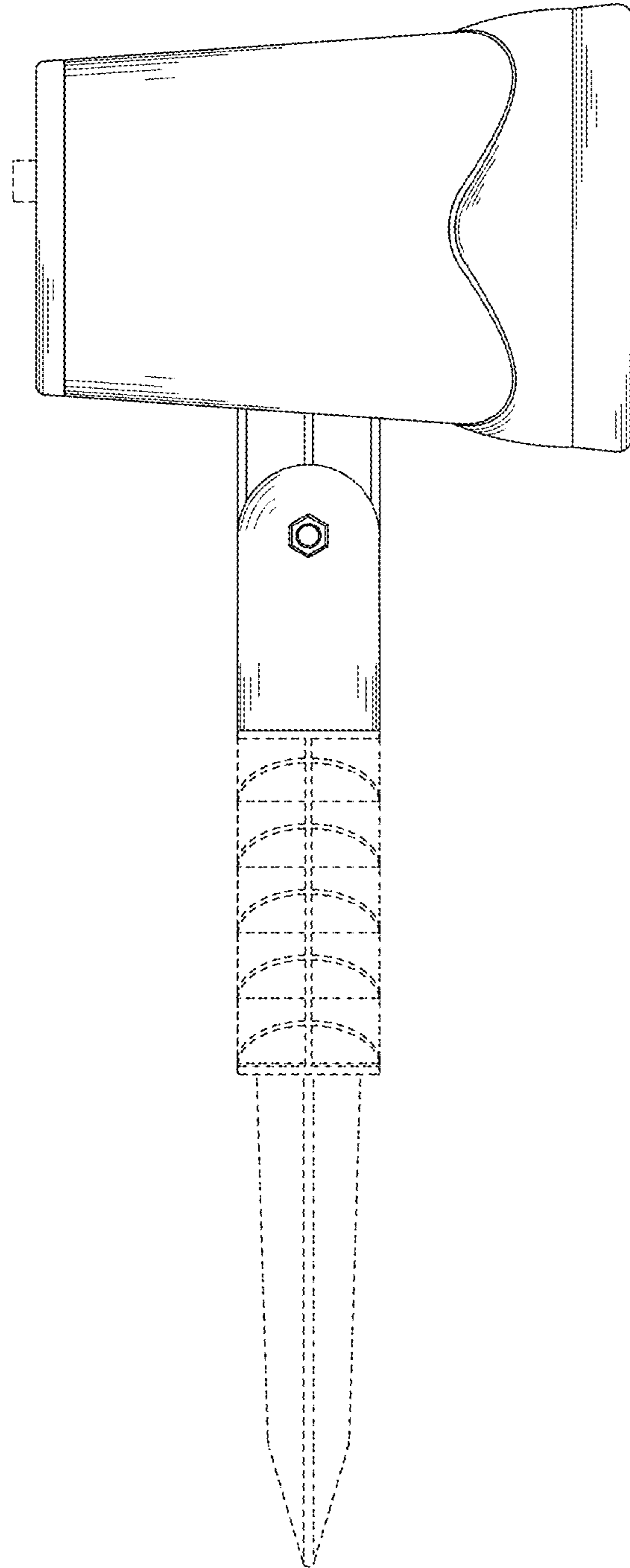


FIG.3

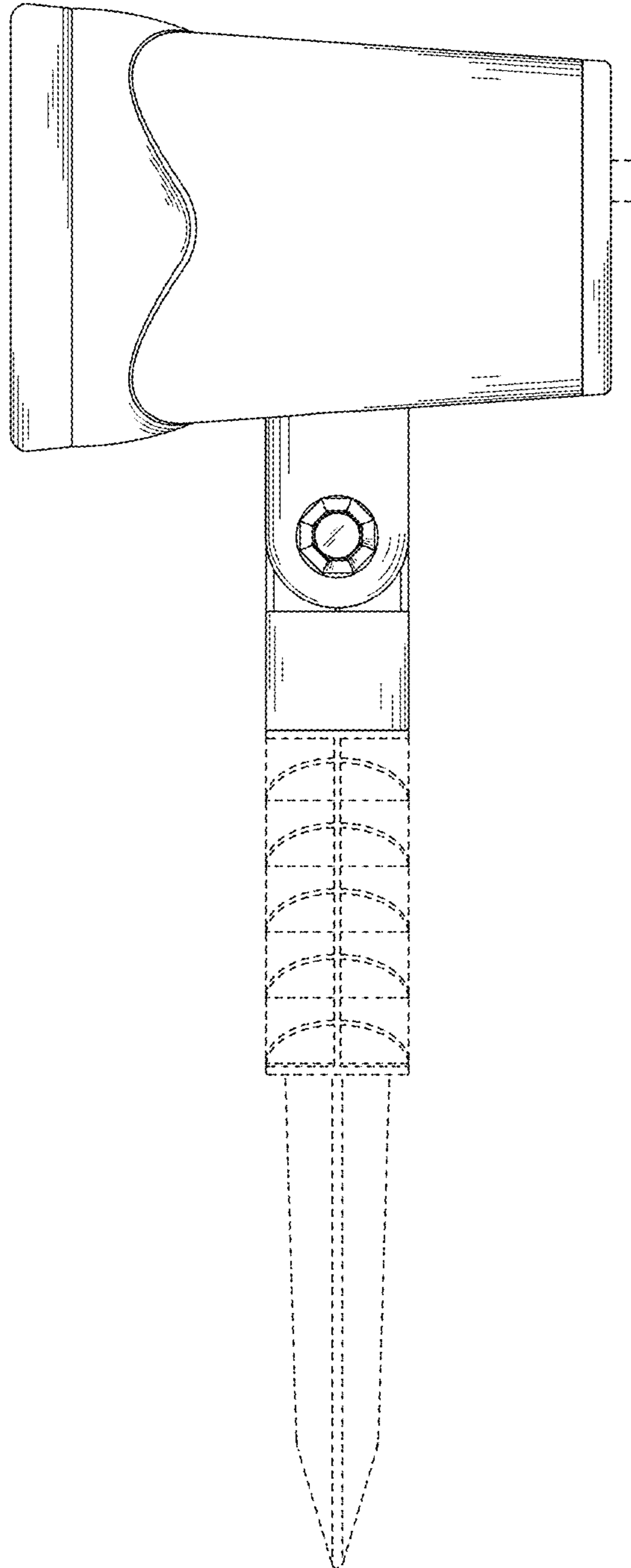


FIG.4

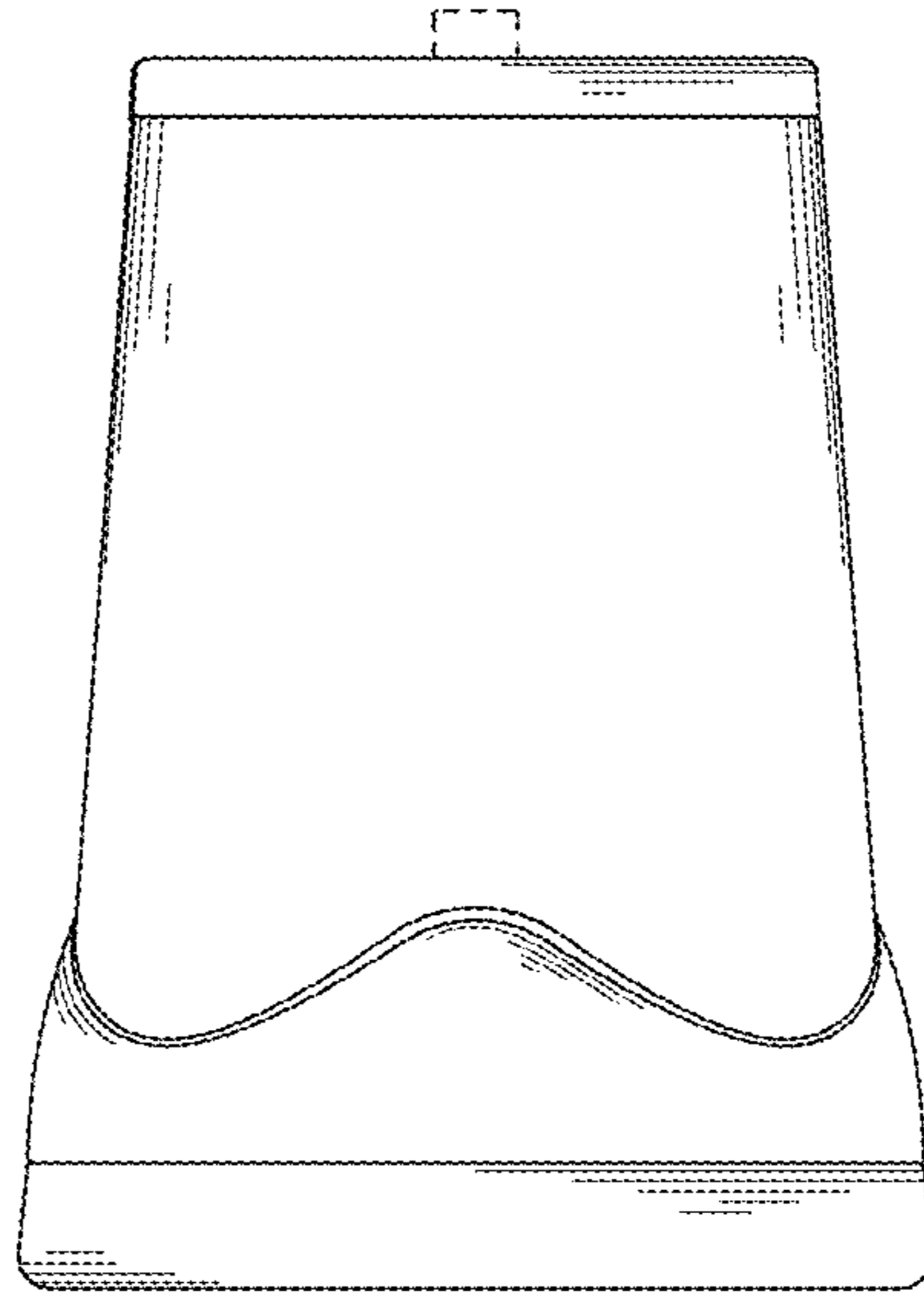


FIG. 5

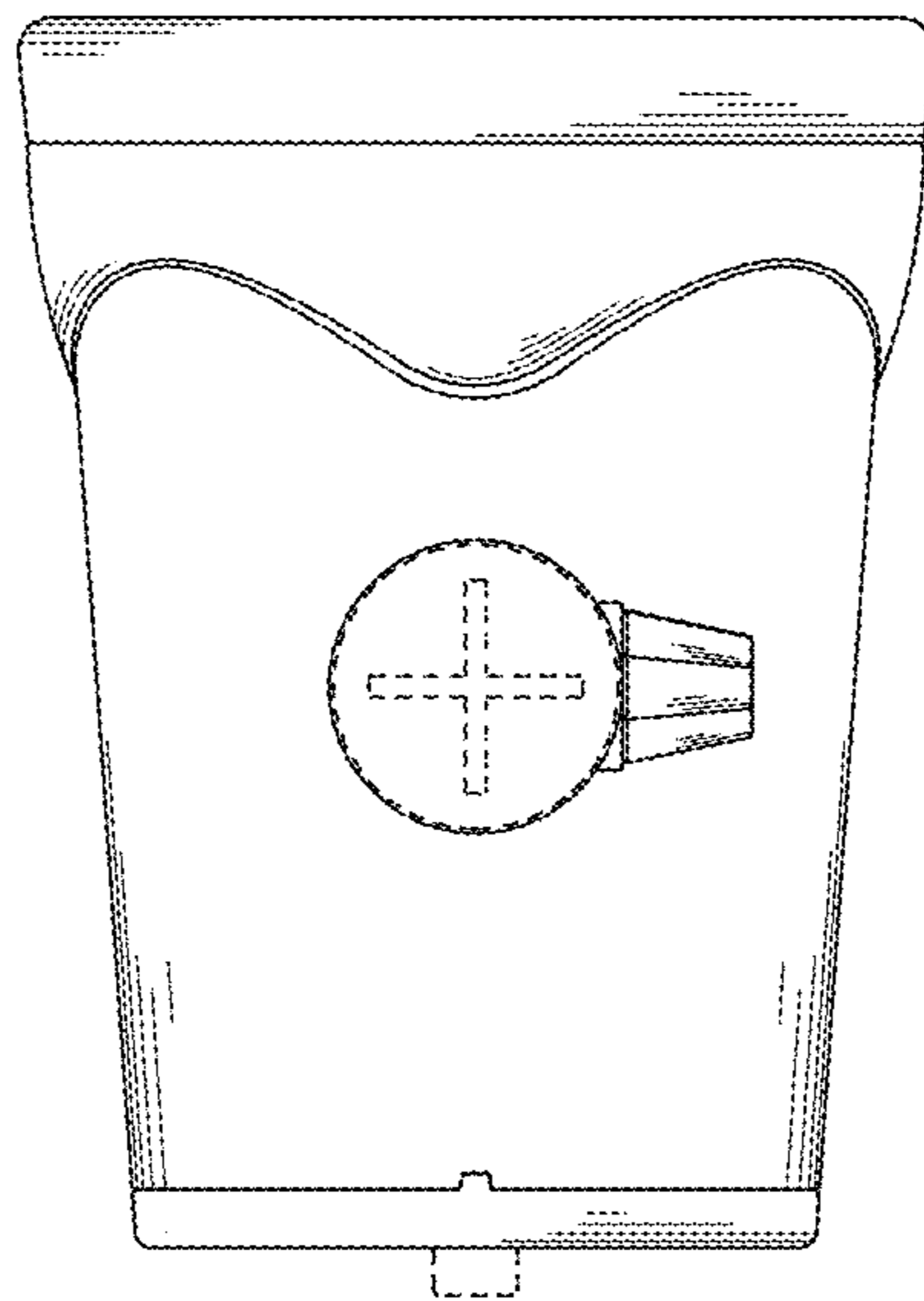


FIG. 6

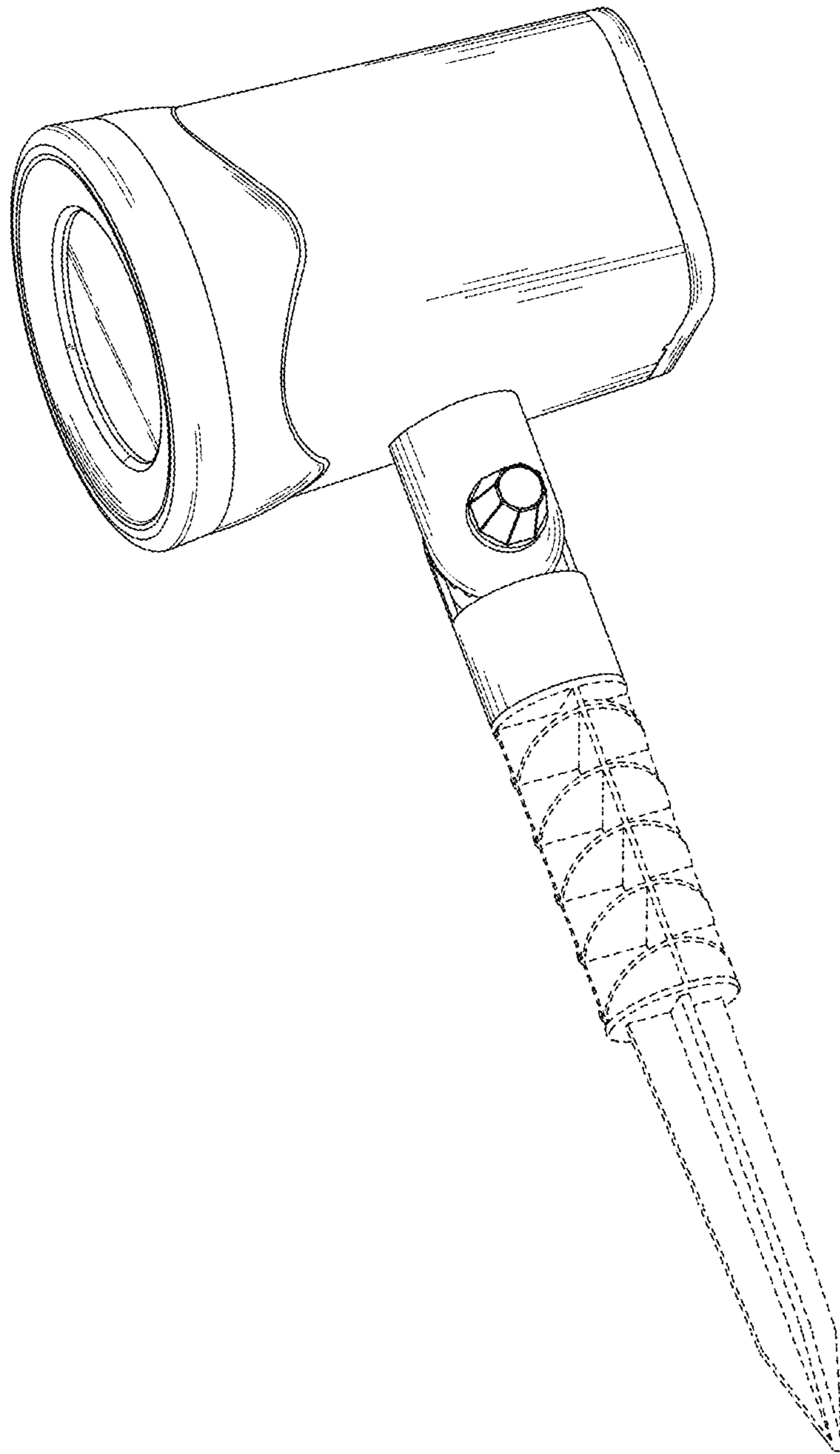


FIG.7

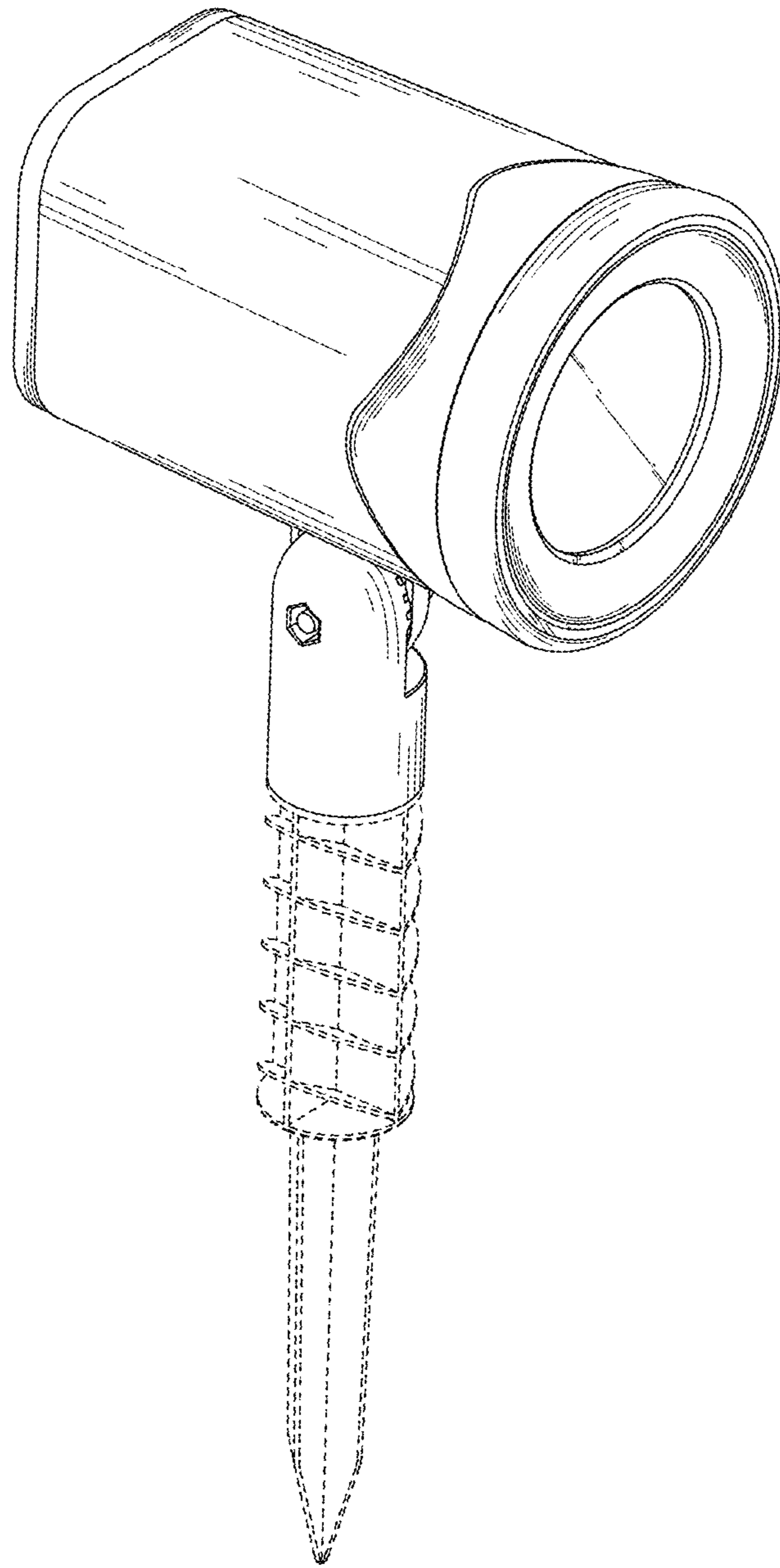


FIG.8

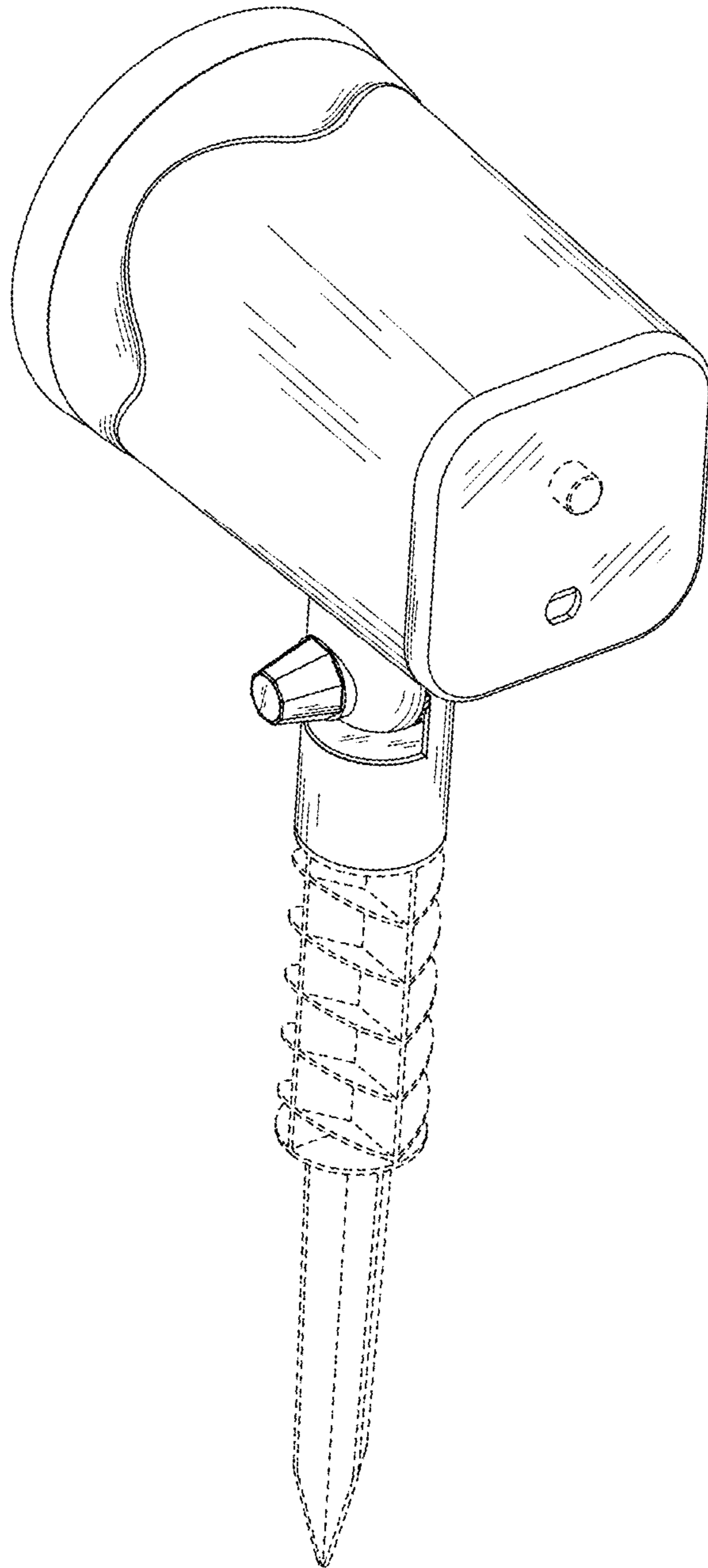


FIG.9