



US00D779097S

(12) **United States Design Patent** (10) **Patent No.:** **US D779,097 S**
Xu et al. (45) **Date of Patent:** **** Feb. 14, 2017**

(54) **PORTABLE WORK LIGHT**
(71) Applicant: **Ningbo Gemay Industry Co., Ltd.**,
Ningbo, Zhejiang (CN)
(72) Inventors: **Xuefeng Xu**, Zhejiang (CN); **Youfei Chen**, Zhejiang (CN)
(73) Assignee: **Ningbo Gemay Industry Co., Ltd.**
(CN)
(**) Term: **15 Years**
(21) Appl. No.: **29/560,769**
(22) Filed: **Apr. 10, 2016**

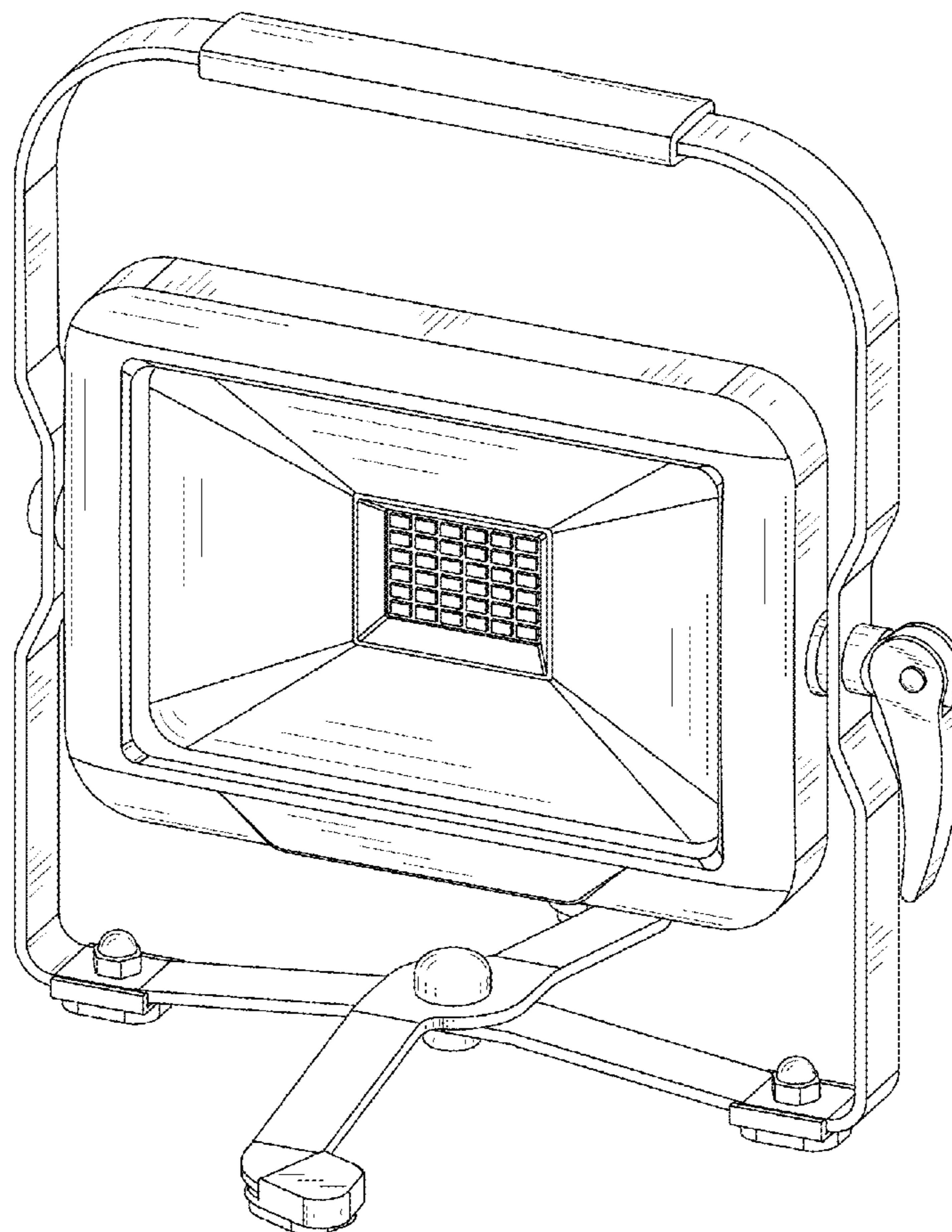
(30) **Foreign Application Priority Data**
Dec. 23, 2015 (CN) 2015 3 0552184
(51) **LOC (10) Cl.** **26-03**
(52) **U.S. Cl.**
USPC **D26/63**
(58) **Field of Classification Search**
USPC D26/1, 24, 61, 63, 65, 85, 92
CPC F21V 21/14; F21V 15/01; F21V 14/02;
F21V 21/30; F21V 21/00; F21V
14/00; F21S 8/00; F21S 8/003; F21S
8/043; F21Y 2105/001
See application file for complete search history.

(56) **References Cited**
U.S. PATENT DOCUMENTS
D380,568 S * 7/1997 Landy D26/63
D385,640 S * 10/1997 Leen D26/63
* cited by examiner
Primary Examiner — Brian N Vinson

(57) **CLAIM**
The ornamental design for a portable work light, as shown and described.

DESCRIPTION
FIG. 1 is a front elevation of the portable work light showing our new design;
FIG. 2 is a back elevation view thereof;
FIG. 3 is a left elevation view thereof;
FIG. 4 is a right elevation view thereof;
FIG. 5 is a top view thereof;
FIG. 6 is a bottom view thereof;
FIG. 7 is a perspective view thereof; and,
FIG. 8 is another perspective view thereof

1 Claim, 8 Drawing Sheets



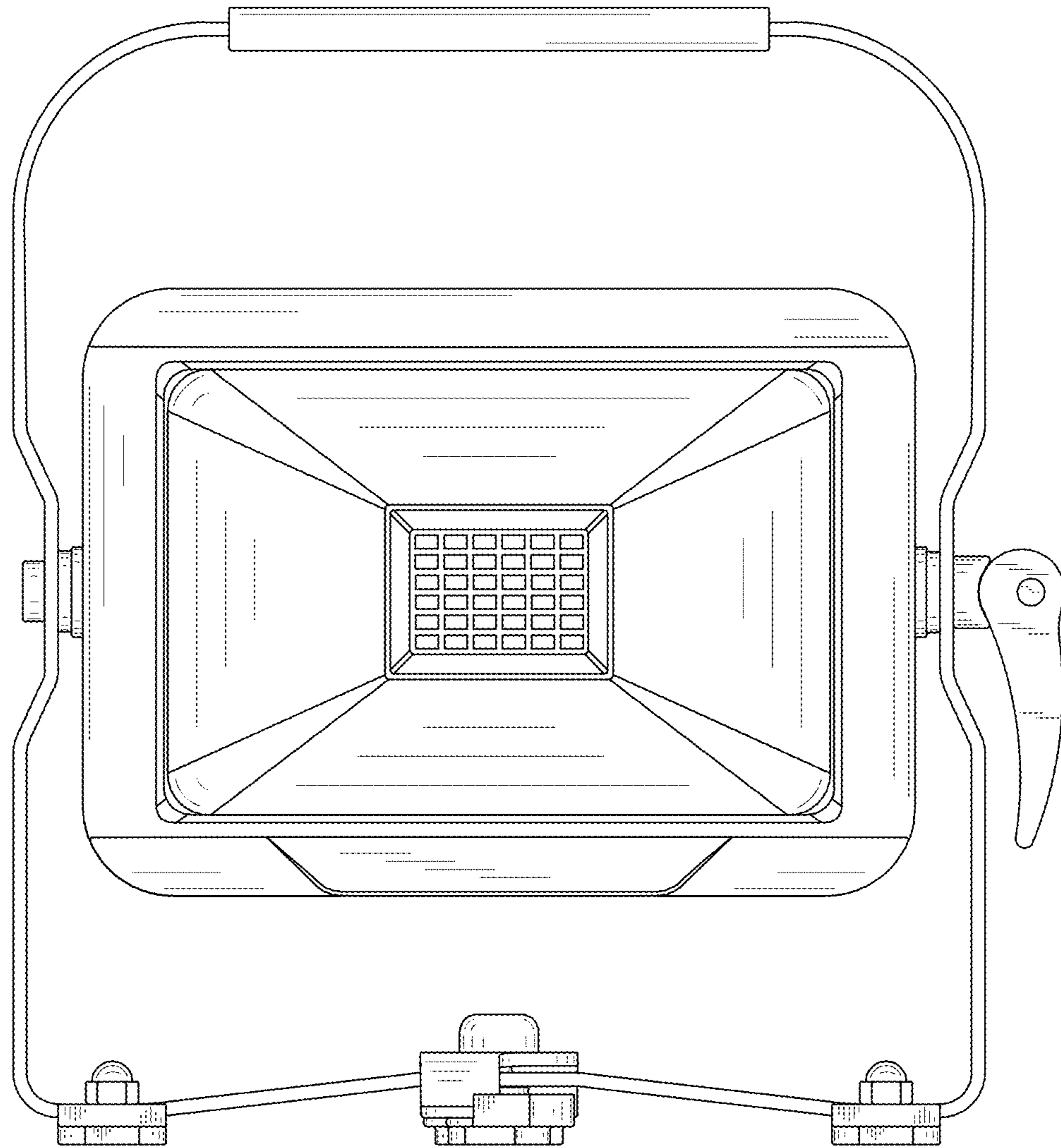


FIG.1

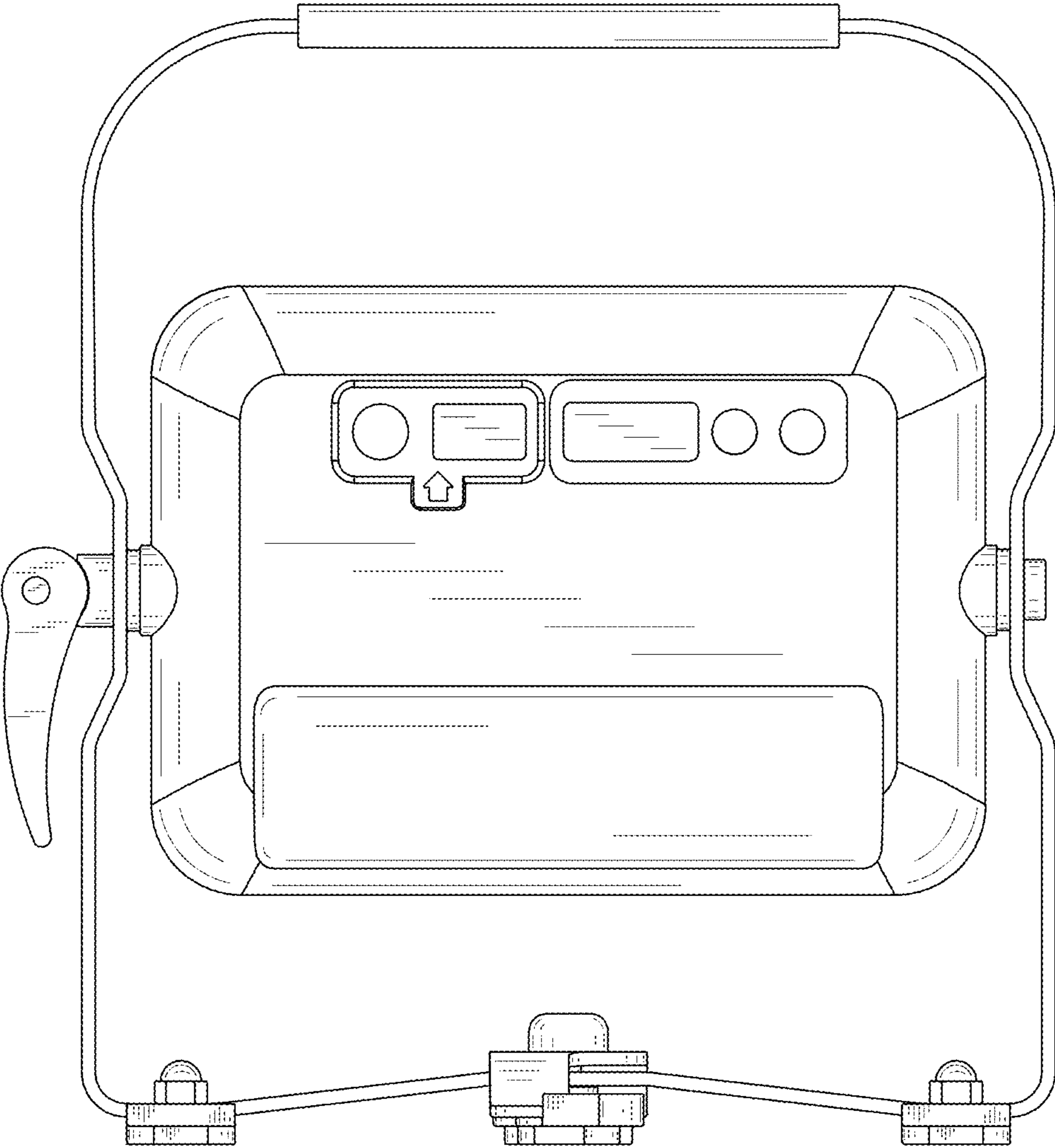


FIG.2

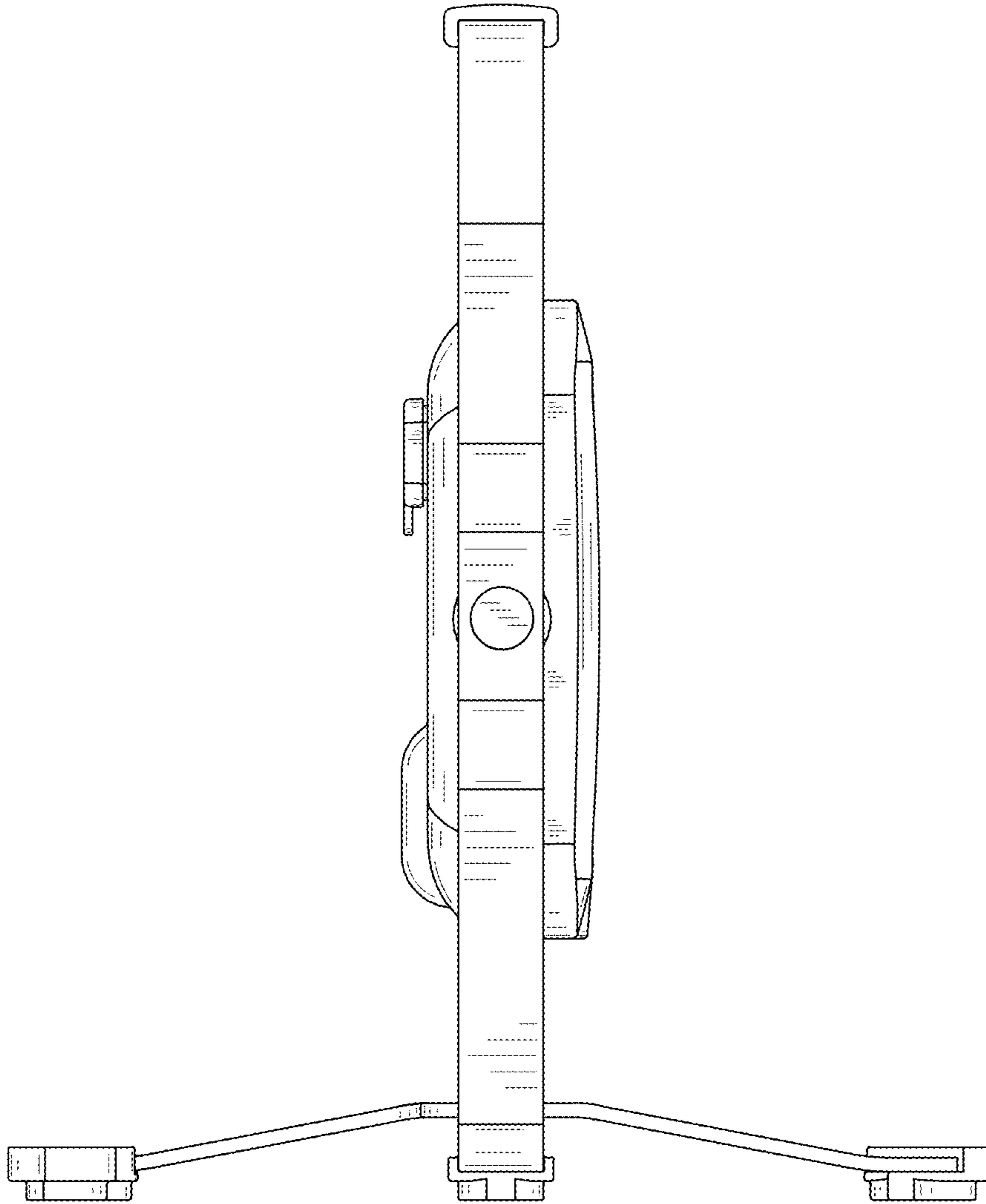


FIG.3

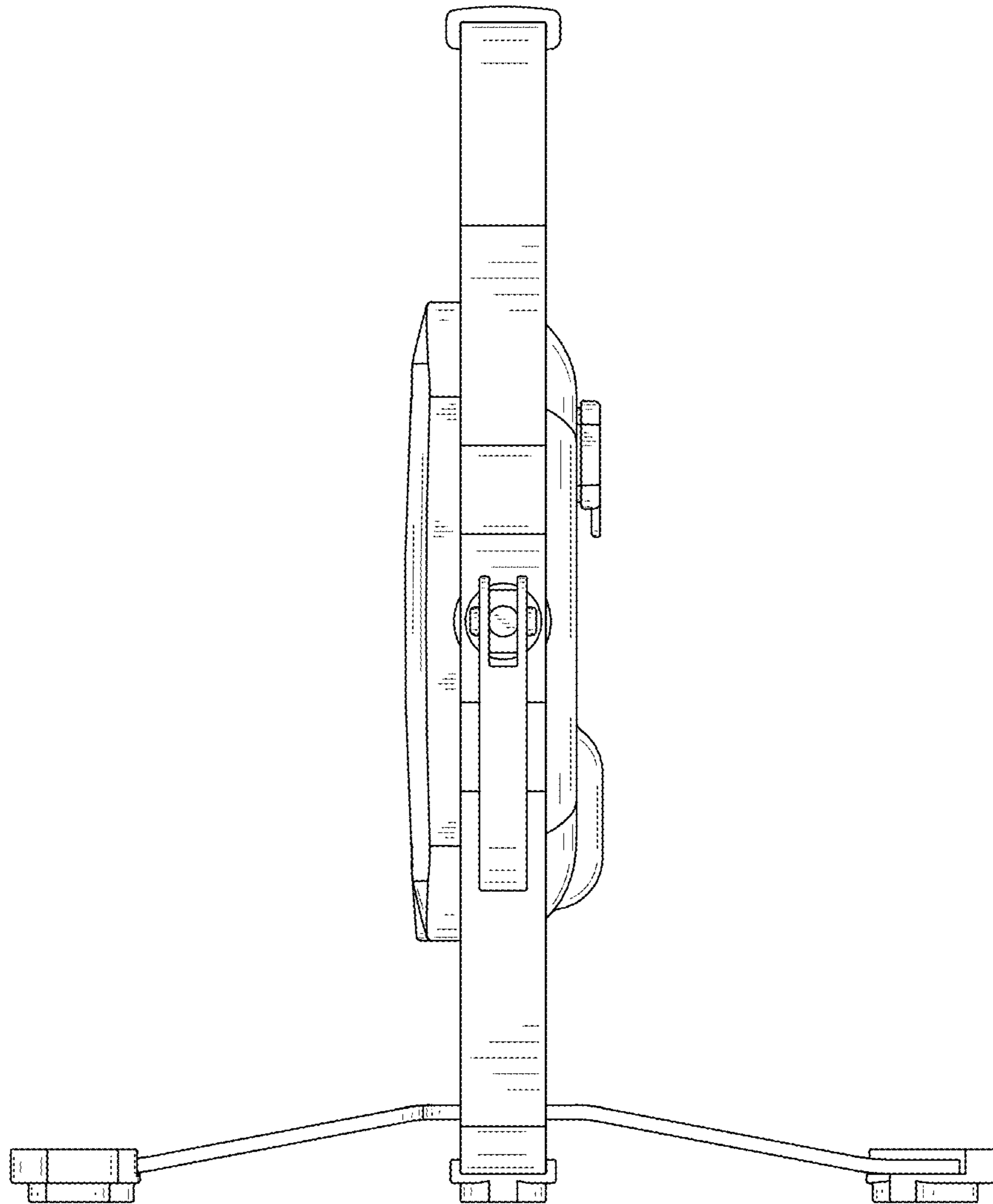


FIG.4

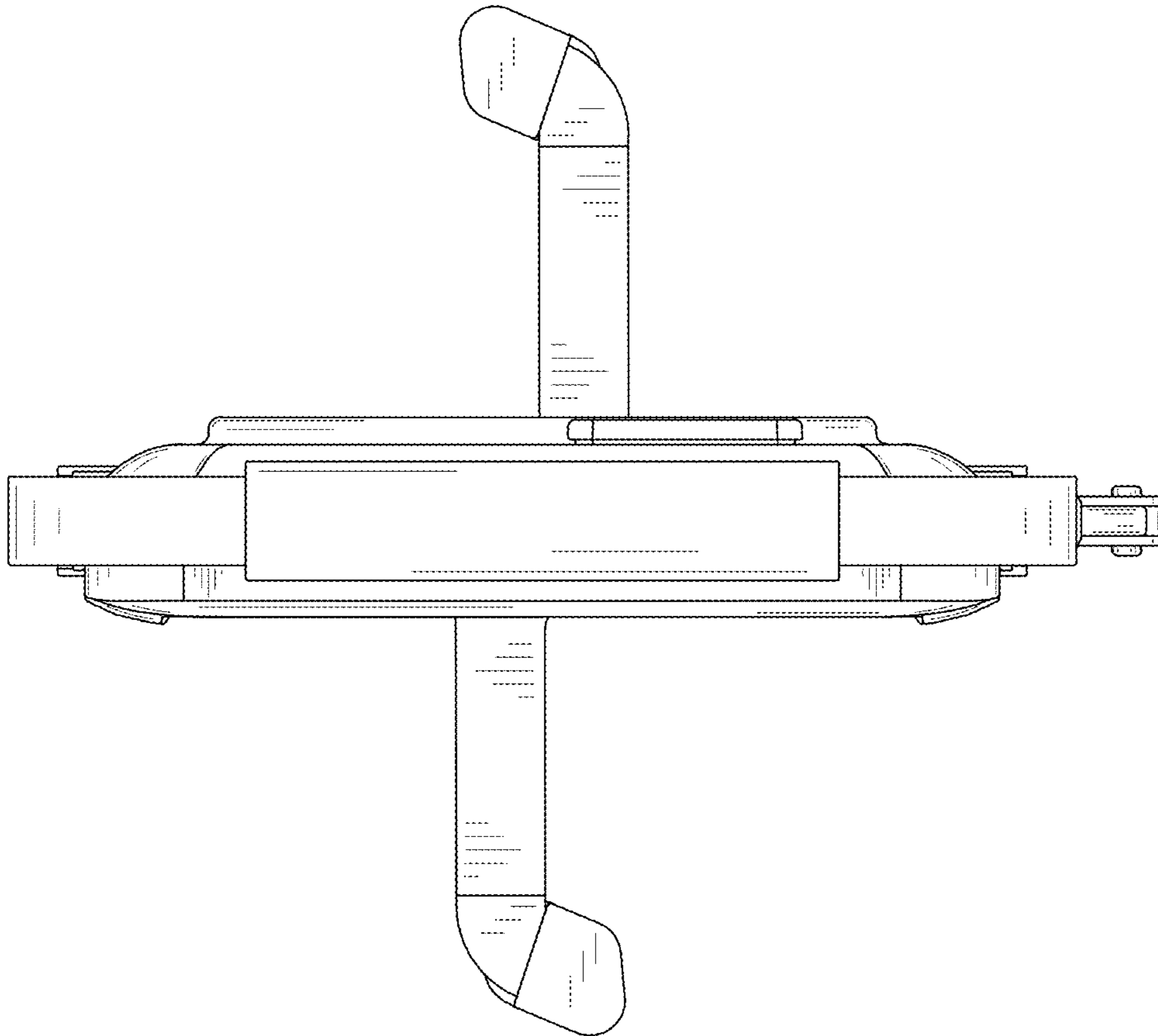


FIG.5

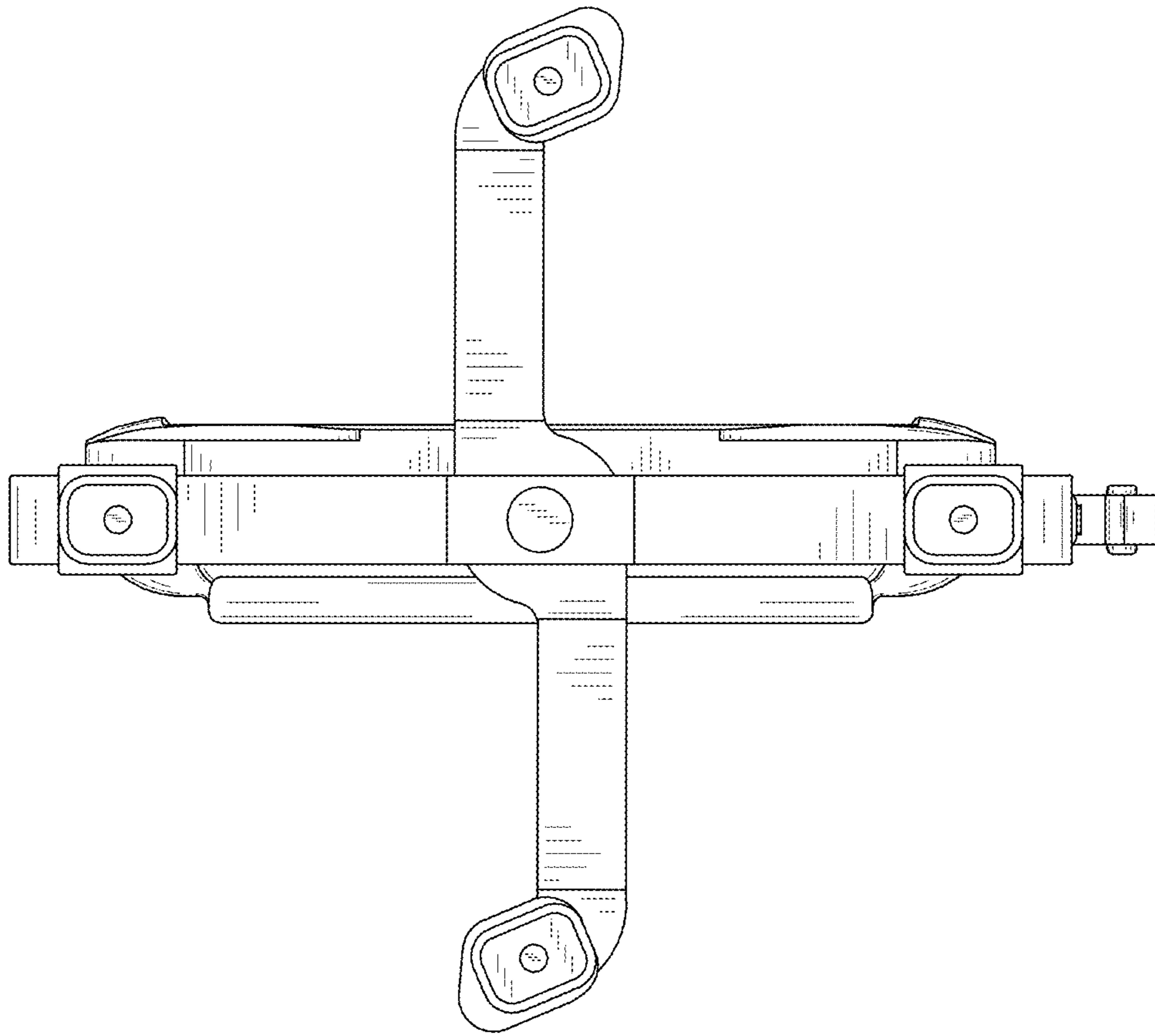


FIG.6

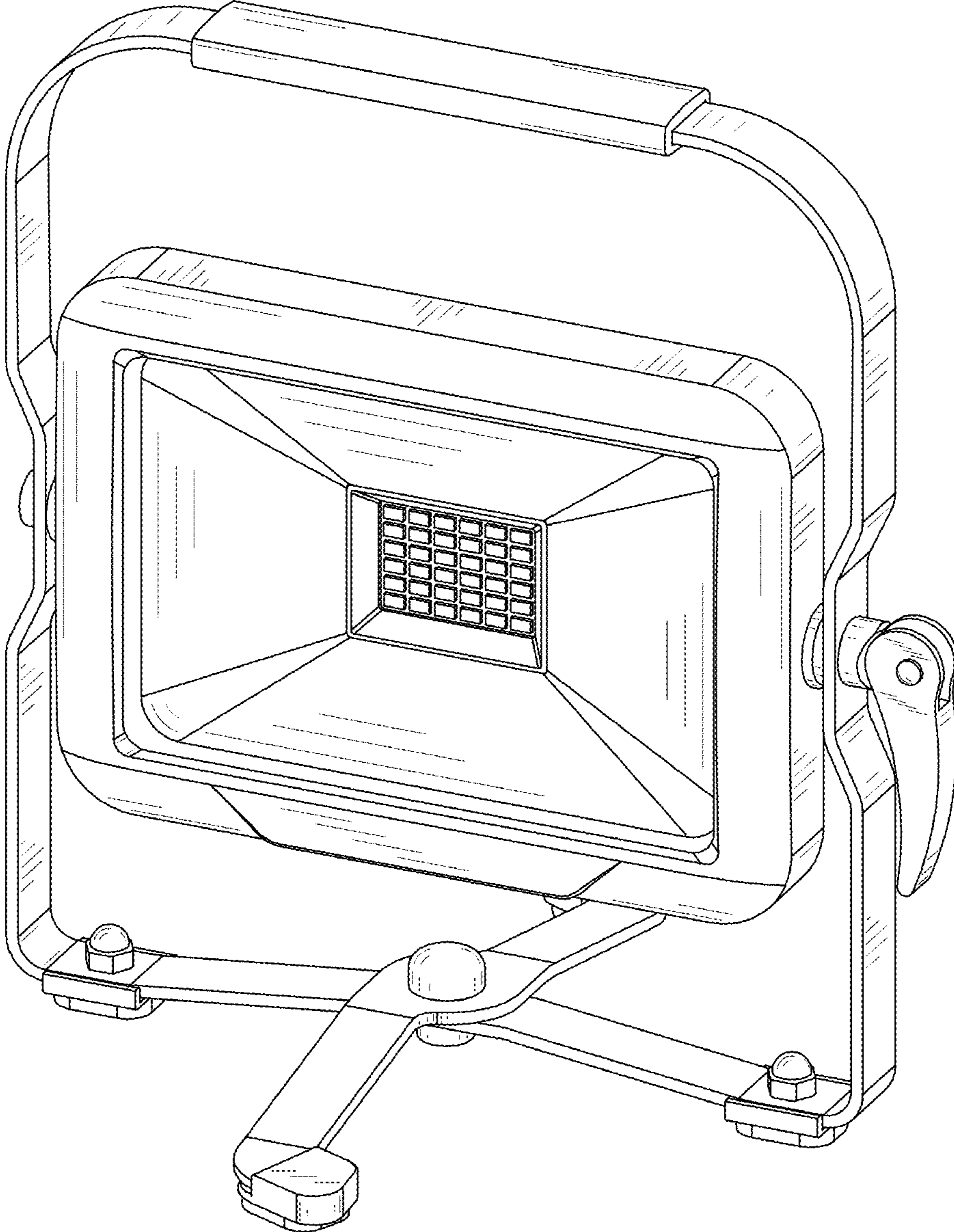


FIG.7

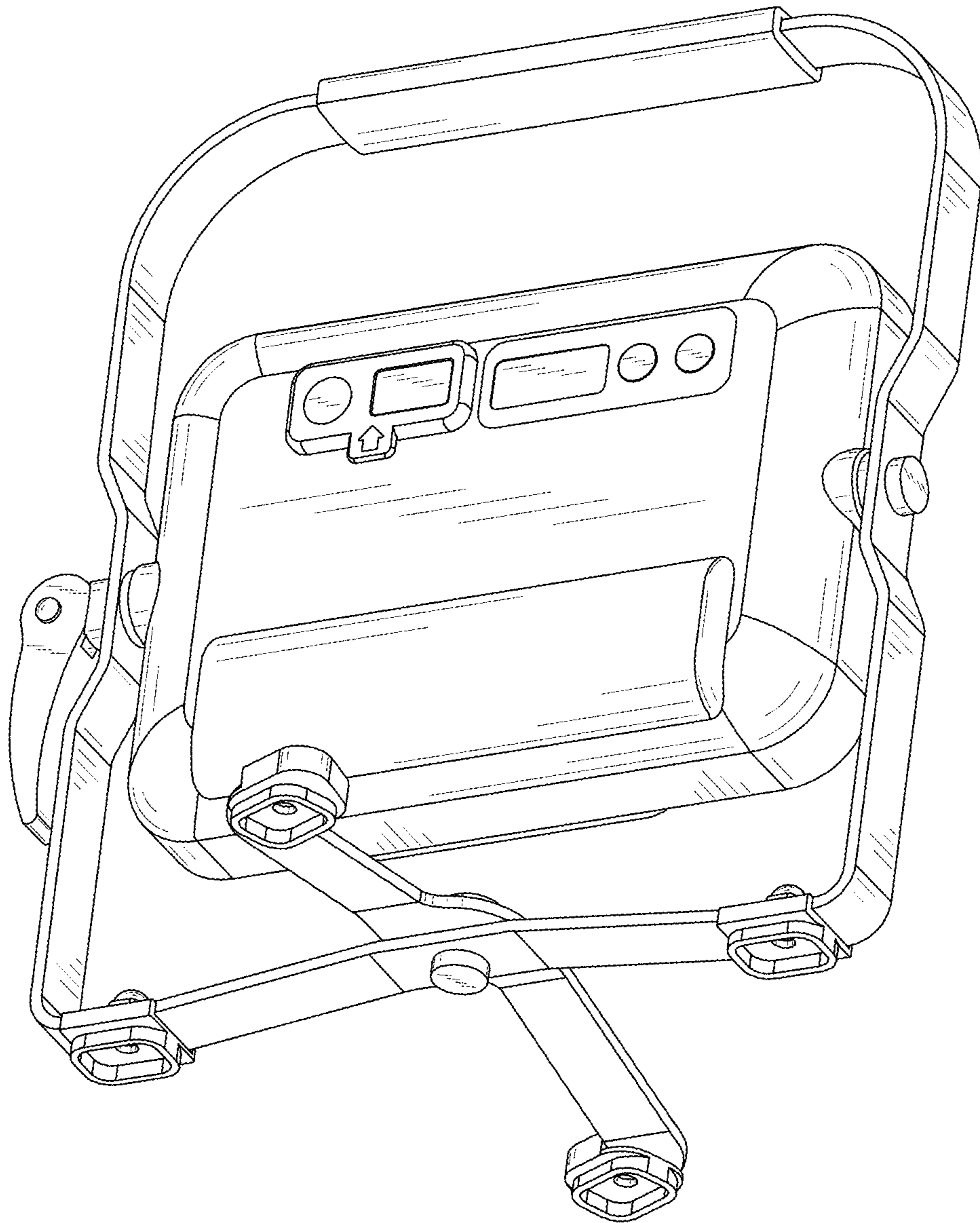


FIG.8