



US00D779095S

(12) **United States Design Patent** (10) **Patent No.:** **US D779,095 S**
Xu et al. (45) **Date of Patent:** **** Feb. 14, 2017**

(54) **WORK LIGHT**

(56) **References Cited**

(71) Applicant: **Ningbo Gemay Industry Co., Ltd.**,
Ningbo, Zhejiang (CN)

U.S. PATENT DOCUMENTS

(72) Inventors: **Xuefeng Xu**, Zhejiang (CN); **Youfei Chen**, Zhejiang (CN)

D732,220 S * 6/2015 Bao D26/63
D735,387 S * 7/2015 Bao D26/63
D750,307 S * 2/2016 Borring D26/63
D766,481 S * 9/2016 Lipson D26/63

(73) Assignee: **Ningbo Gemay Industry Co., Ltd.**
(CN)

* cited by examiner

(**) Term: **15 Years**

Primary Examiner — Brian N Vinson

(21) Appl. No.: **29/549,870**

(57) **CLAIM**

The ornamental design for a work light, as shown and described.

(22) Filed: **Dec. 29, 2015**

DESCRIPTION

(51) **LOC (10) Cl.** **26-03**

FIG. 1 is a front elevation of the work light showing our new design;

(52) **U.S. Cl.**

FIG. 2 is a back elevation view thereof;

USPC **D26/63**

FIG. 3 is a left elevation view thereof;

(58) **Field of Classification Search**

USPC D26/1, 24, 61, 63, 65, 85, 92

FIG. 4 is a right elevation view thereof;

CPC F21V 21/14; F21V 15/01; F21V 14/02;

FIG. 5 is a top view thereof;

F21V 21/30; F21V 21/00; F21V

FIG. 6 is a bottom view thereof;

14/00; F21S 8/00; F21S 8/003; F21S

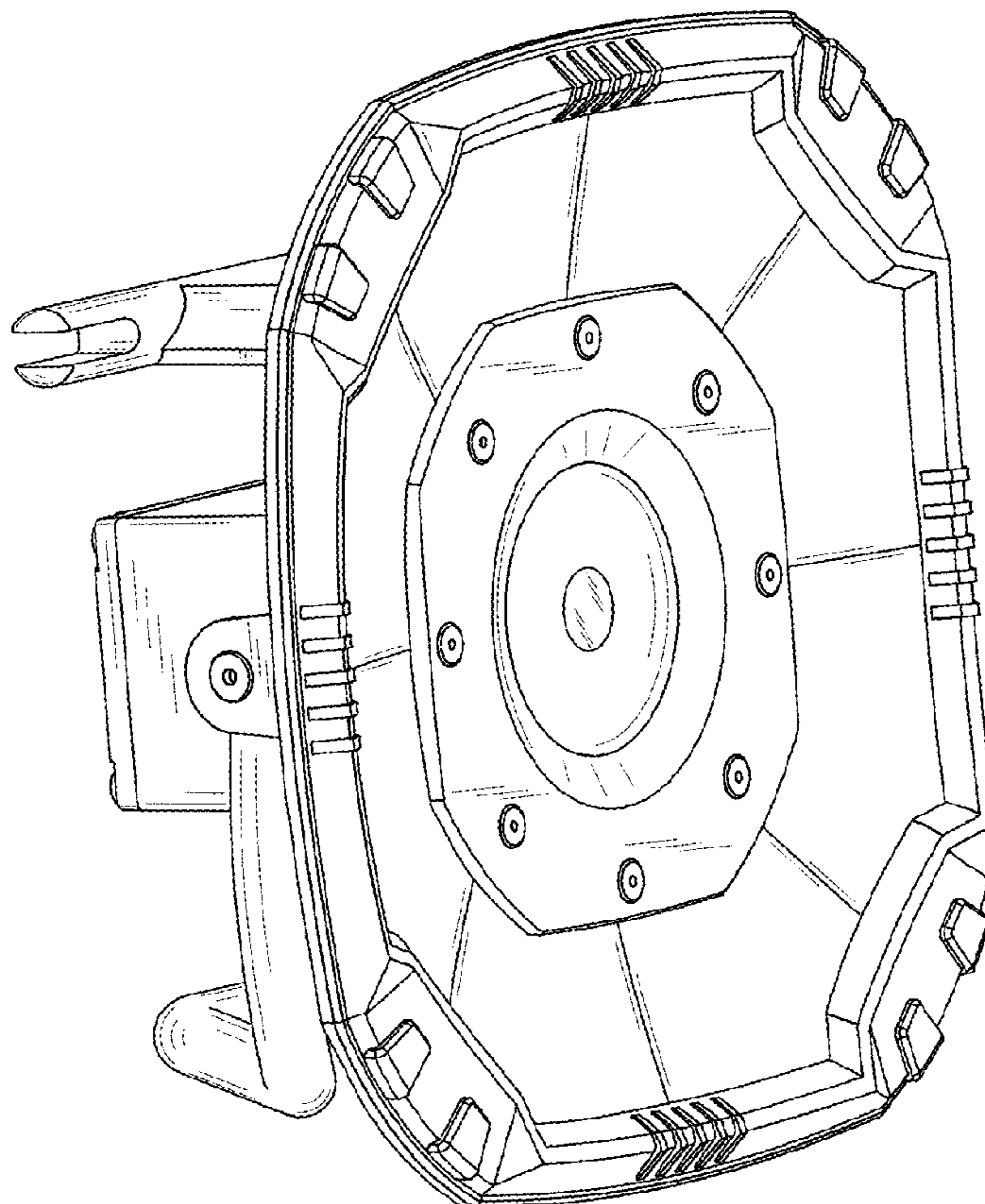
FIG. 7 is a perspective view thereof; and,

8/043; F21Y 2105/001

FIG. 8 is another perspective view thereof.

See application file for complete search history.

1 Claim, 6 Drawing Sheets



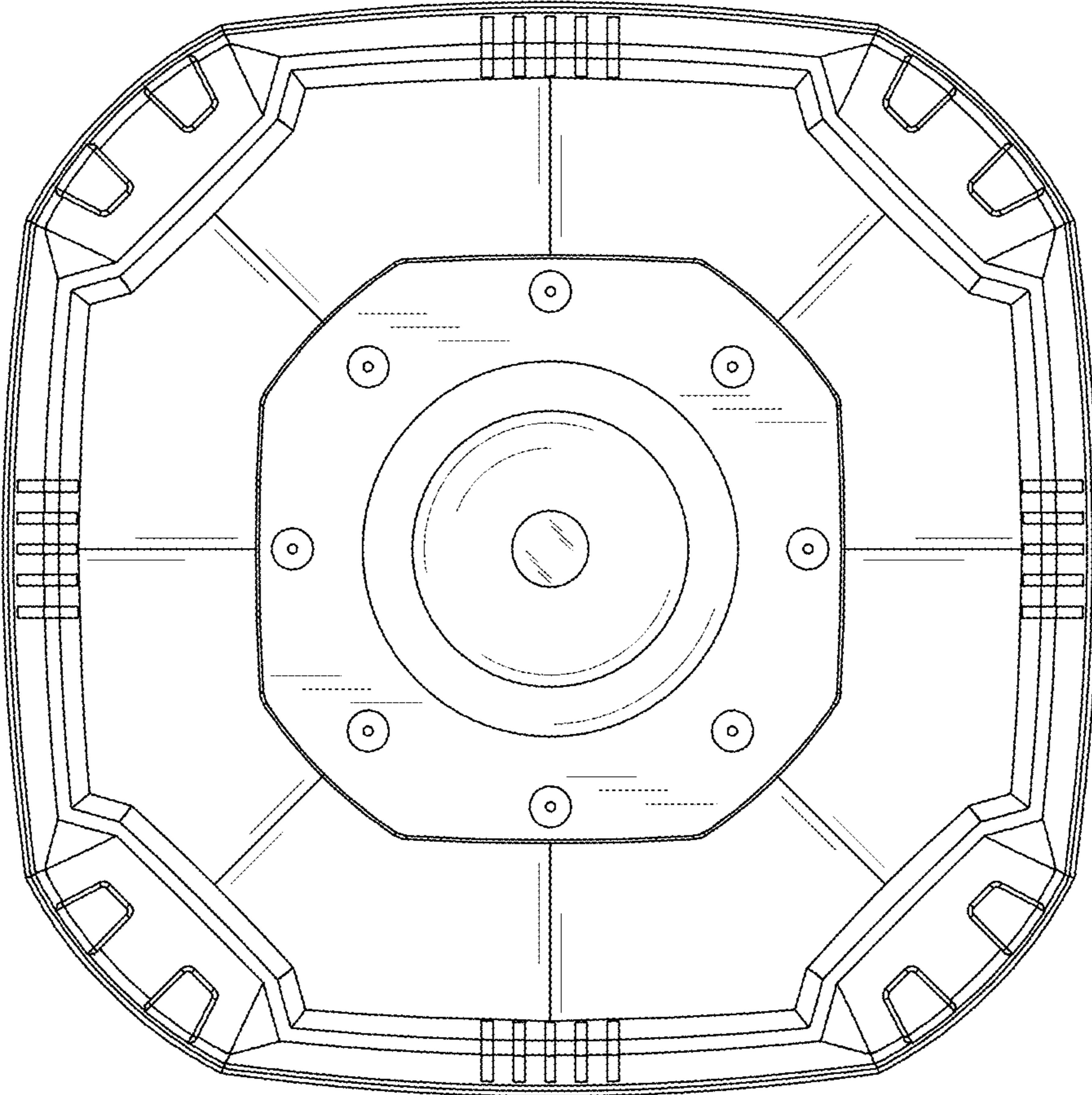


FIG.1

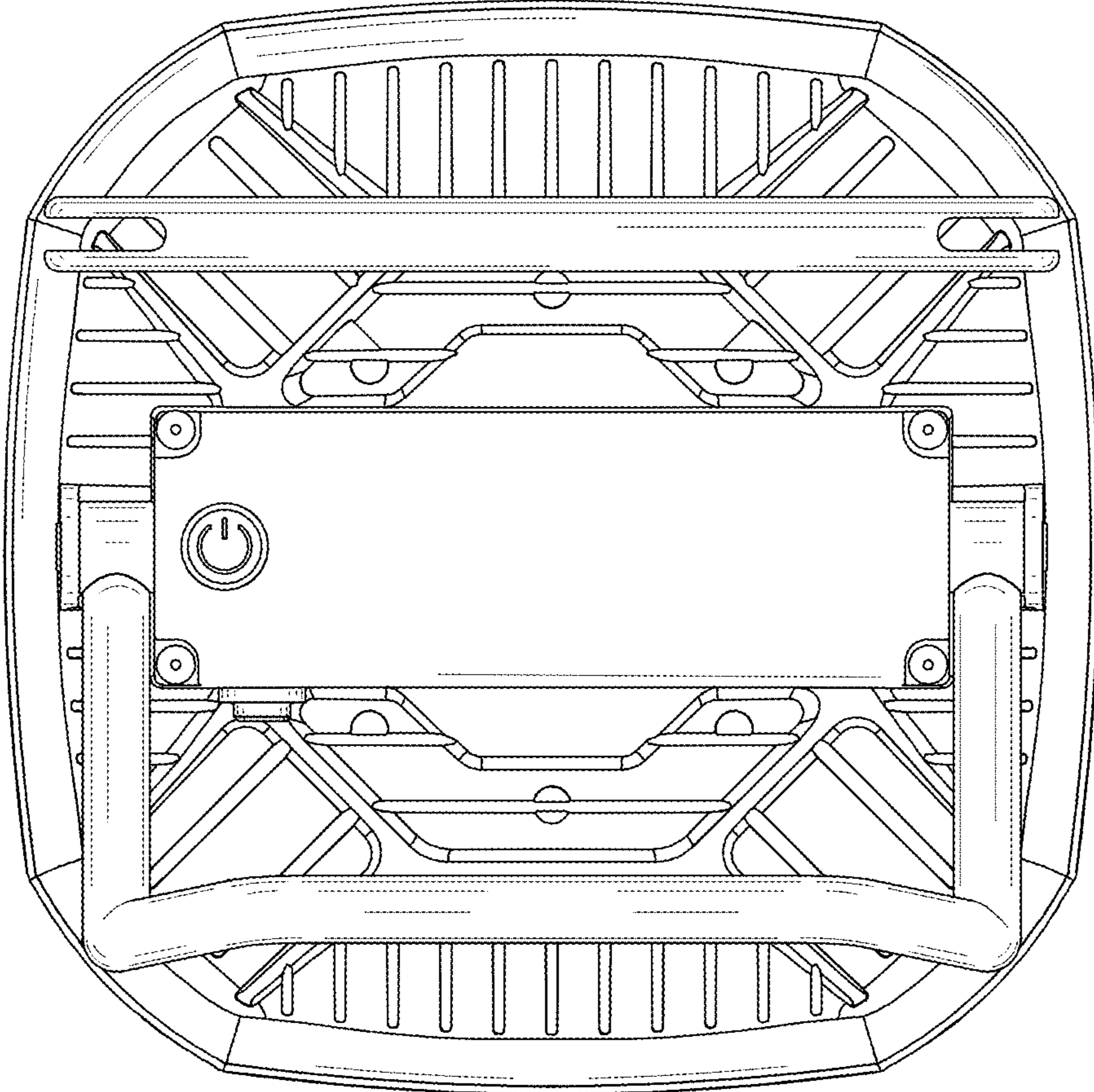


FIG.2

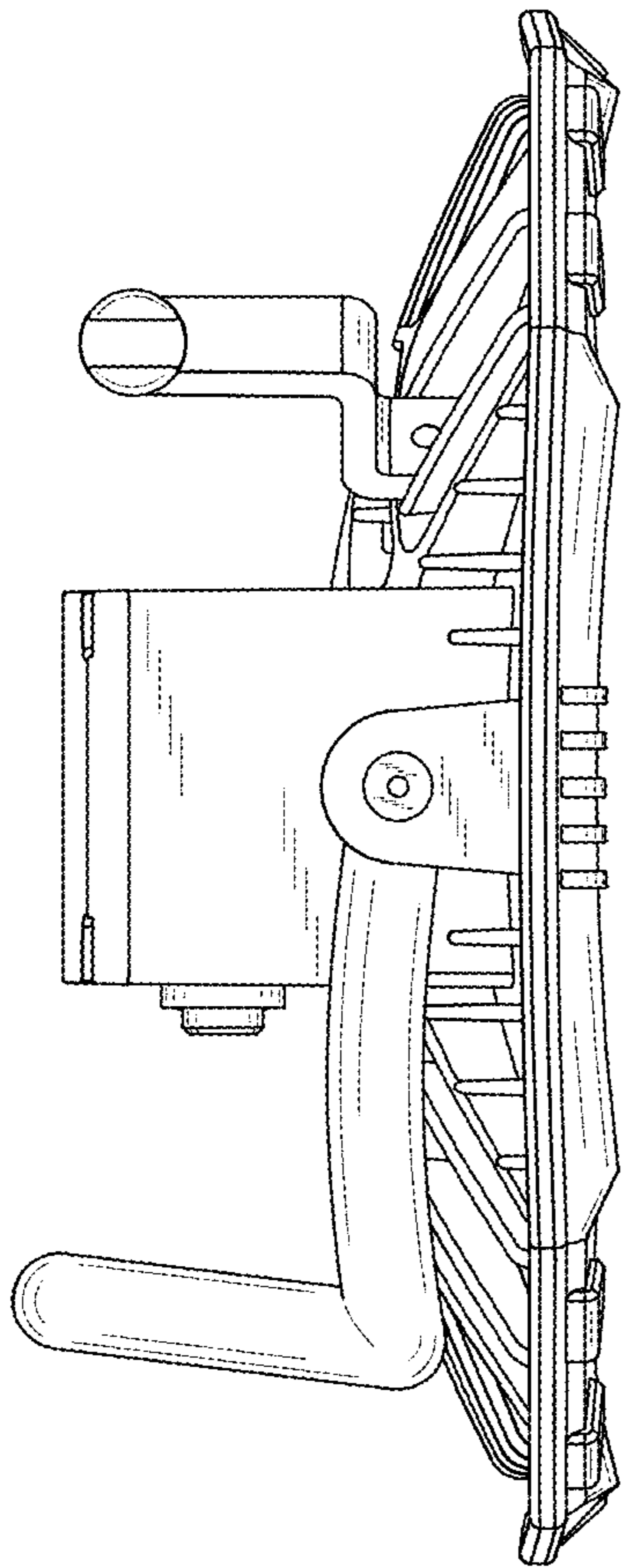


FIG.3

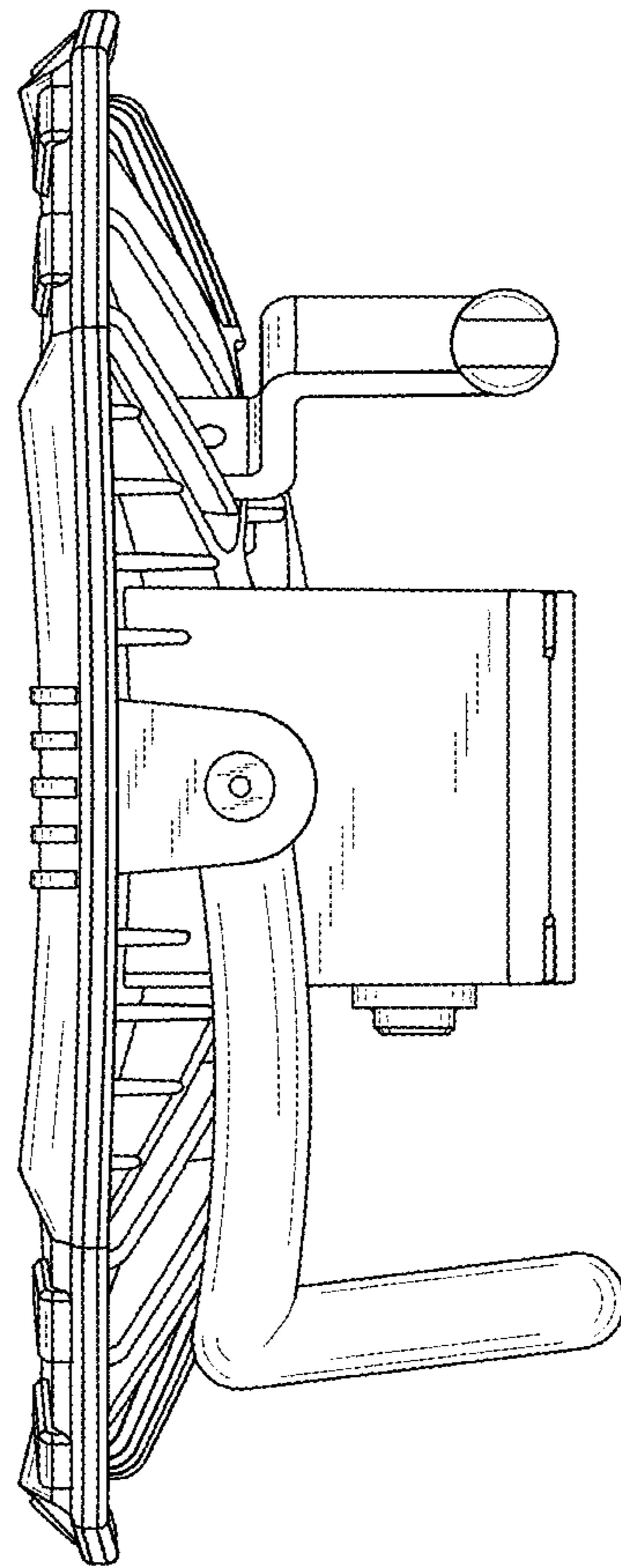


FIG.4

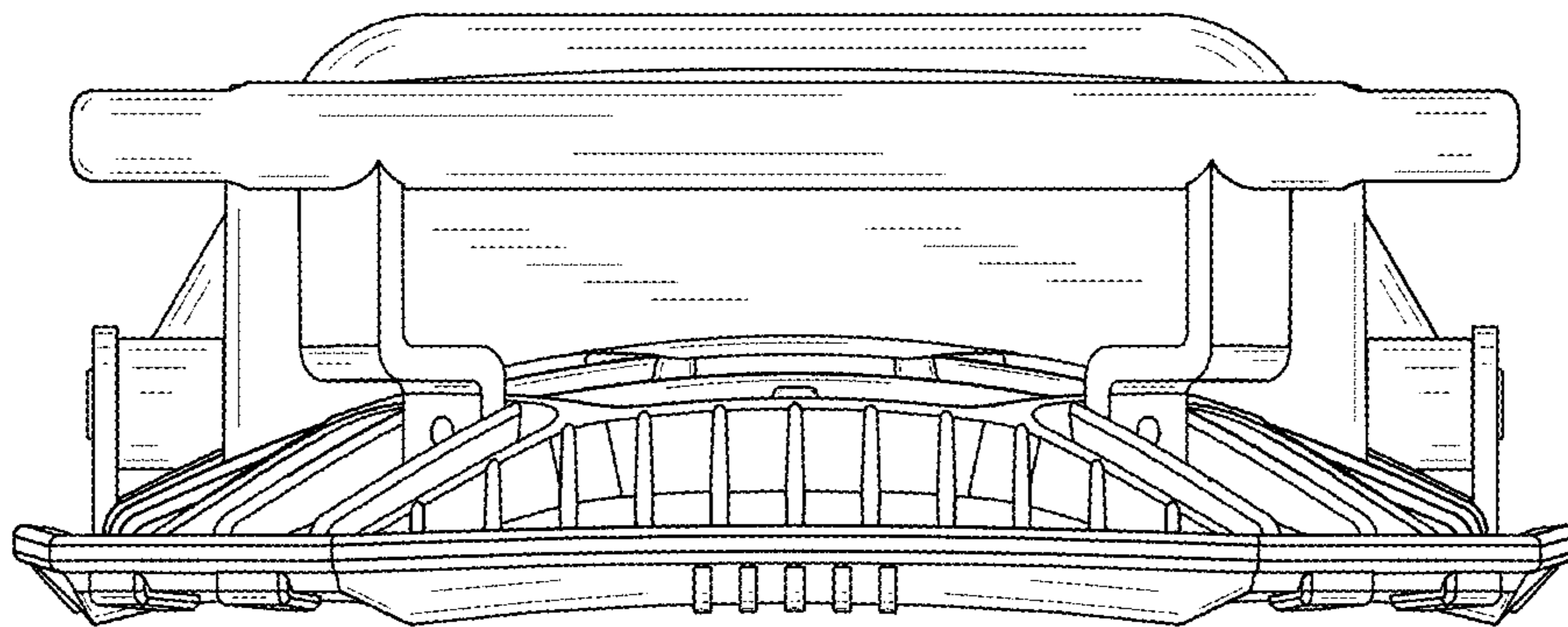


FIG. 5

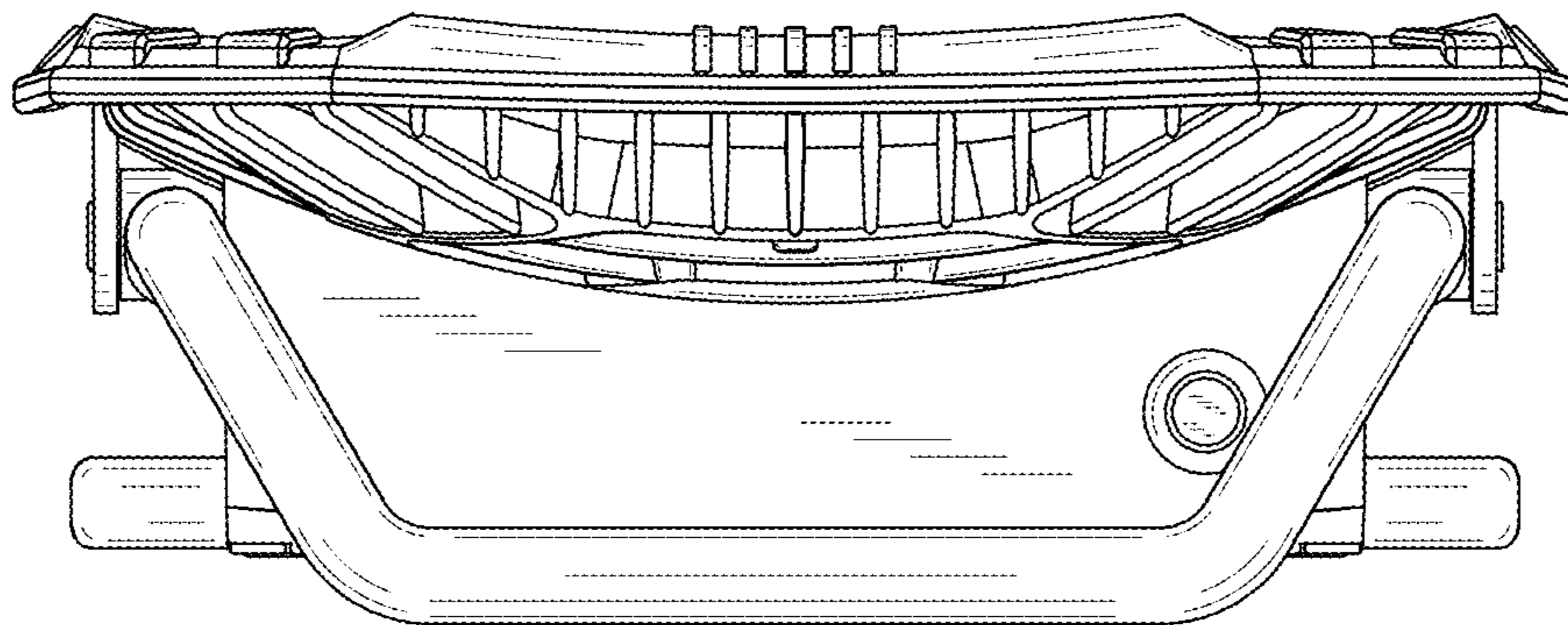


FIG. 6

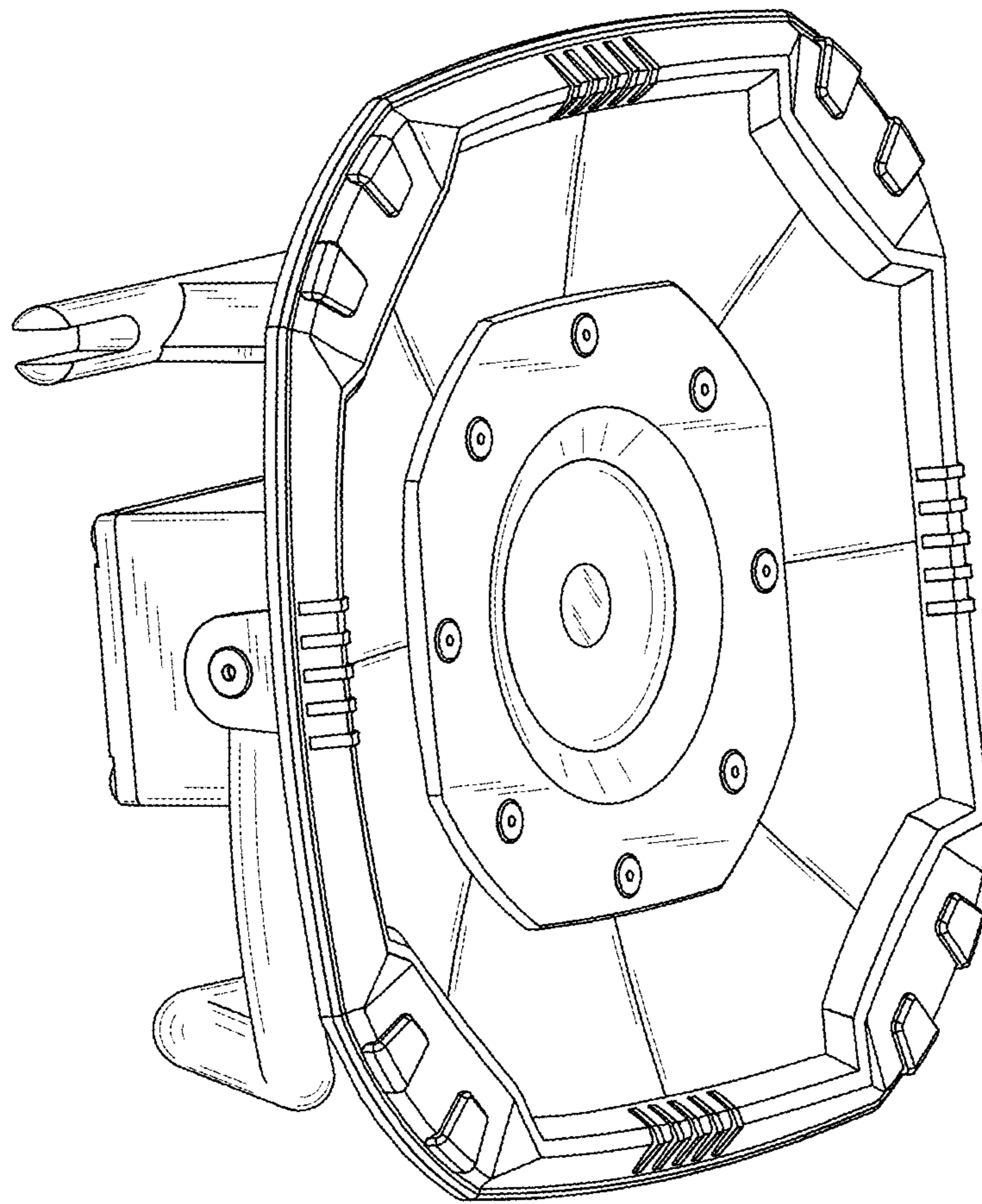


FIG. 7

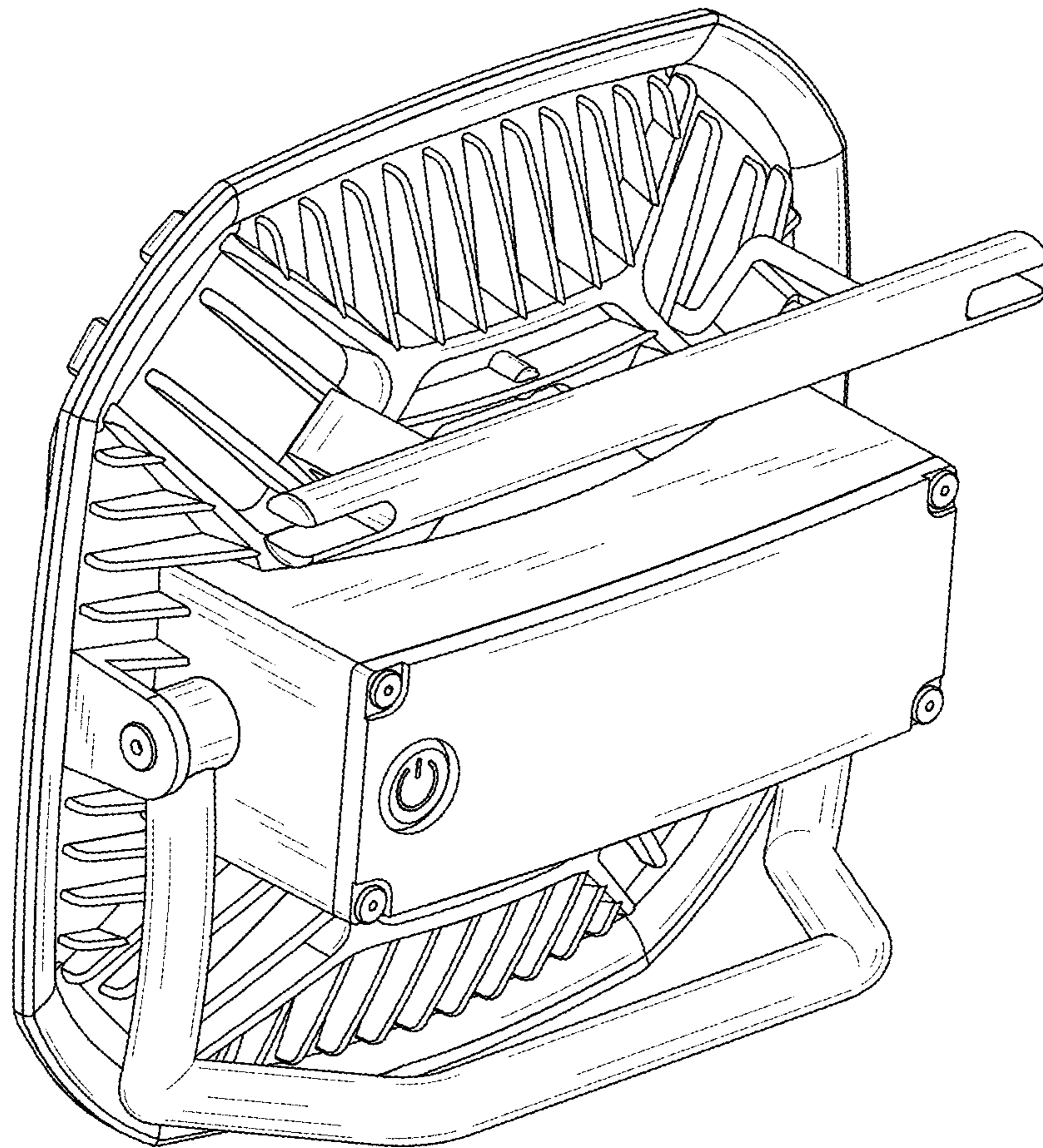


FIG.8