



US00D779094S

(12) **United States Design Patent**
Xu et al.

(10) **Patent No.:** **US D779,094 S**

(45) **Date of Patent:** **** Feb. 14, 2017**

(54) **PORTABLE WORK LIGHT**

8/00;F21S 8/003; F21S 8/043; F21Y
2105/001

(71) Applicant: **Ningbo Gemay Industry Co., Ltd.**,
Ningbo, Zhejiang (CN)

See application file for complete search history.

(72) Inventors: **Xuefeng Xu**, Zhejiang (CN); **Youfei
Chen**, Zhejiang (CN)

(56) **References Cited**

U.S. PATENT DOCUMENTS

(73) Assignee: **Ningbo Gemay Industry Co., Ltd.**
(CN)

D744,139 S * 11/2015 Itoh D26/63
D754,383 S * 4/2016 Kovacik D26/63

* cited by examiner

(**) Term: **15 Years**

Primary Examiner — Brian N Vinson

(21) Appl. No.: **29/547,363**

(57) **CLAIM**

The ornamental design for a portable work light, as shown
and described.

(22) Filed: **Dec. 3, 2015**

DESCRIPTION

(30) **Foreign Application Priority Data**

Oct. 9, 2015 (CN) 2015 3 0389418

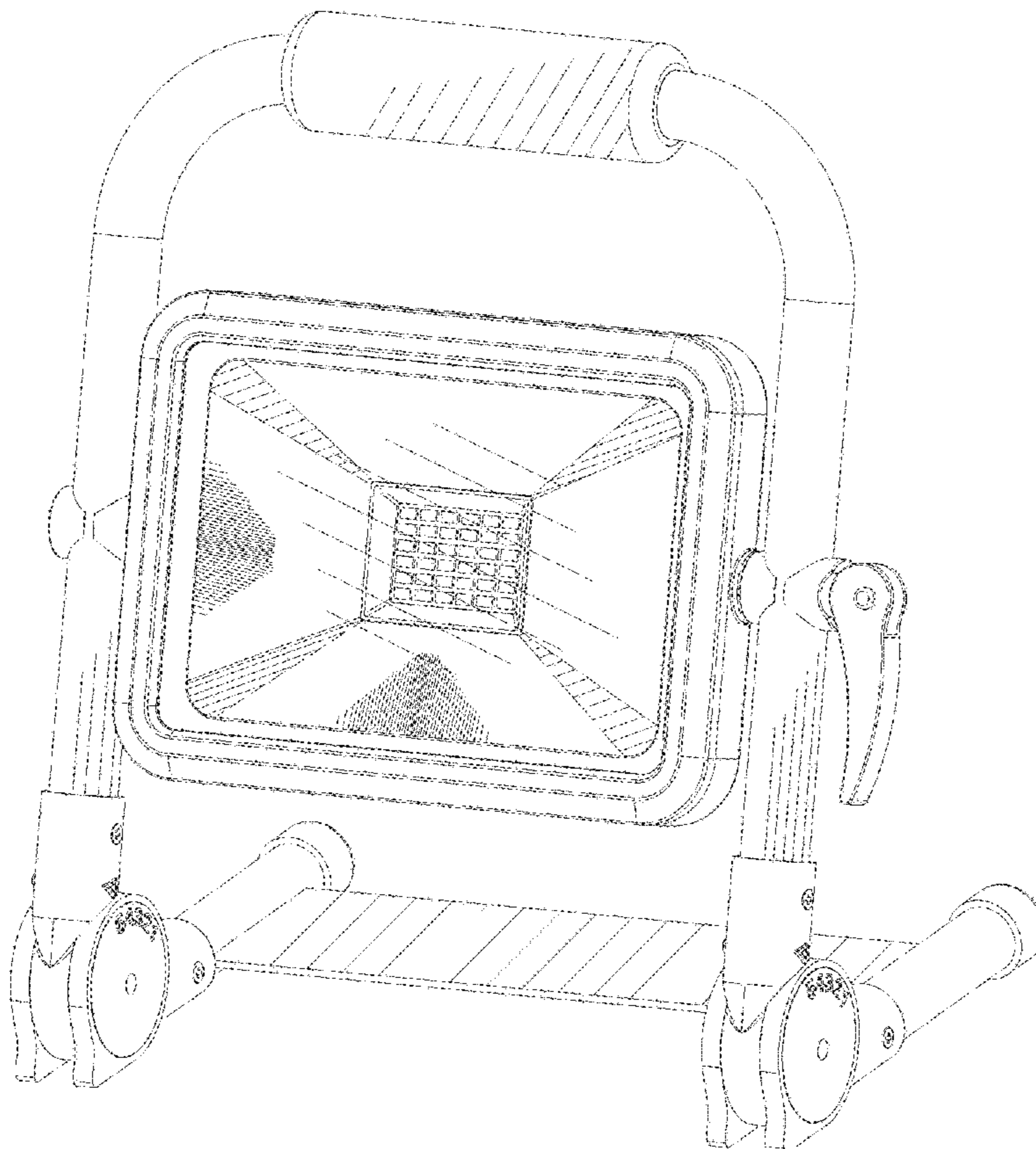
(51) **LOC (10) Cl.** **26-03**

(52) **U.S. Cl.**
USPC **D26/63**

(58) **Field of Classification Search**
USPC D26/1, 24, 61, 63, 65, 85, 92
CPC F21V 21/14; F21V 15/01; F21V 14/02;
F21V 21/00; F21V 14/00; F21S

FIG. 1 is a perspective view of the portable work light
showing our new design;
FIG. 2 is a front elevation view thereof;
FIG. 3 is a back elevation view thereof;
FIG. 4 is a left elevation view thereof;
FIG. 5 is a right elevation view thereof;
FIG. 6 is a top view thereof; and,
FIG. 7 is a bottom view thereof.

1 Claim, 7 Drawing Sheets



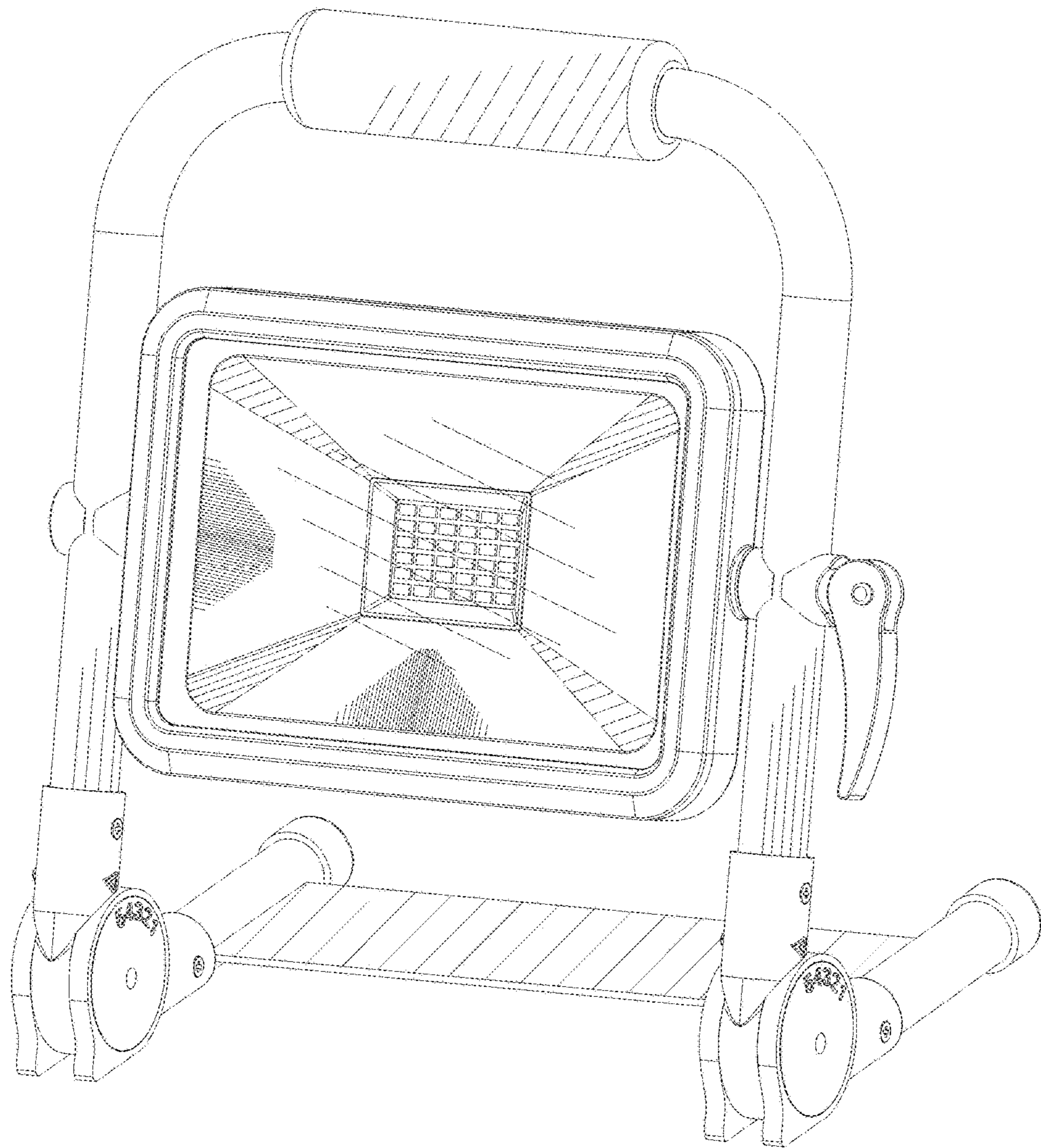


Fig. 1

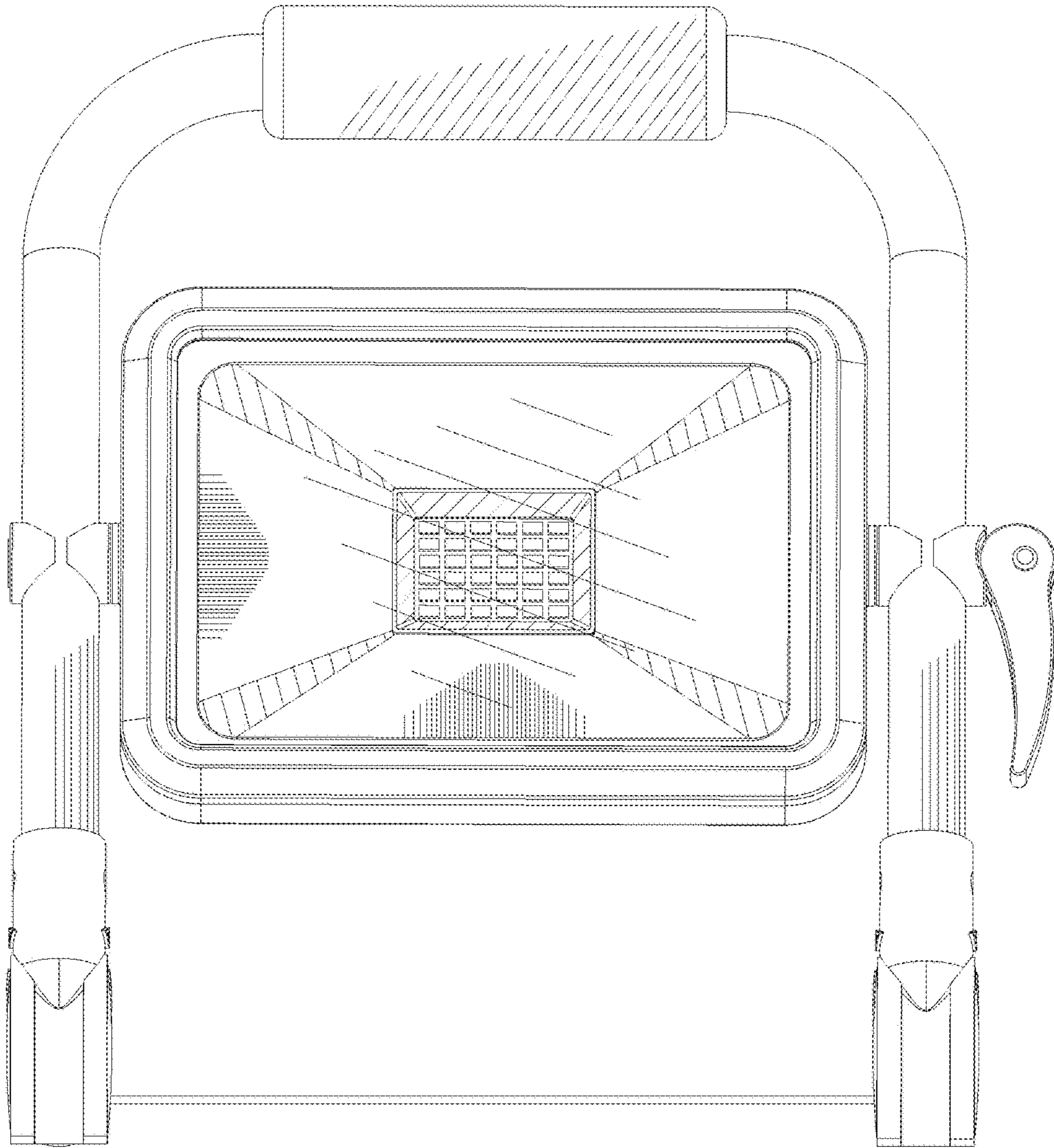


Fig. 2

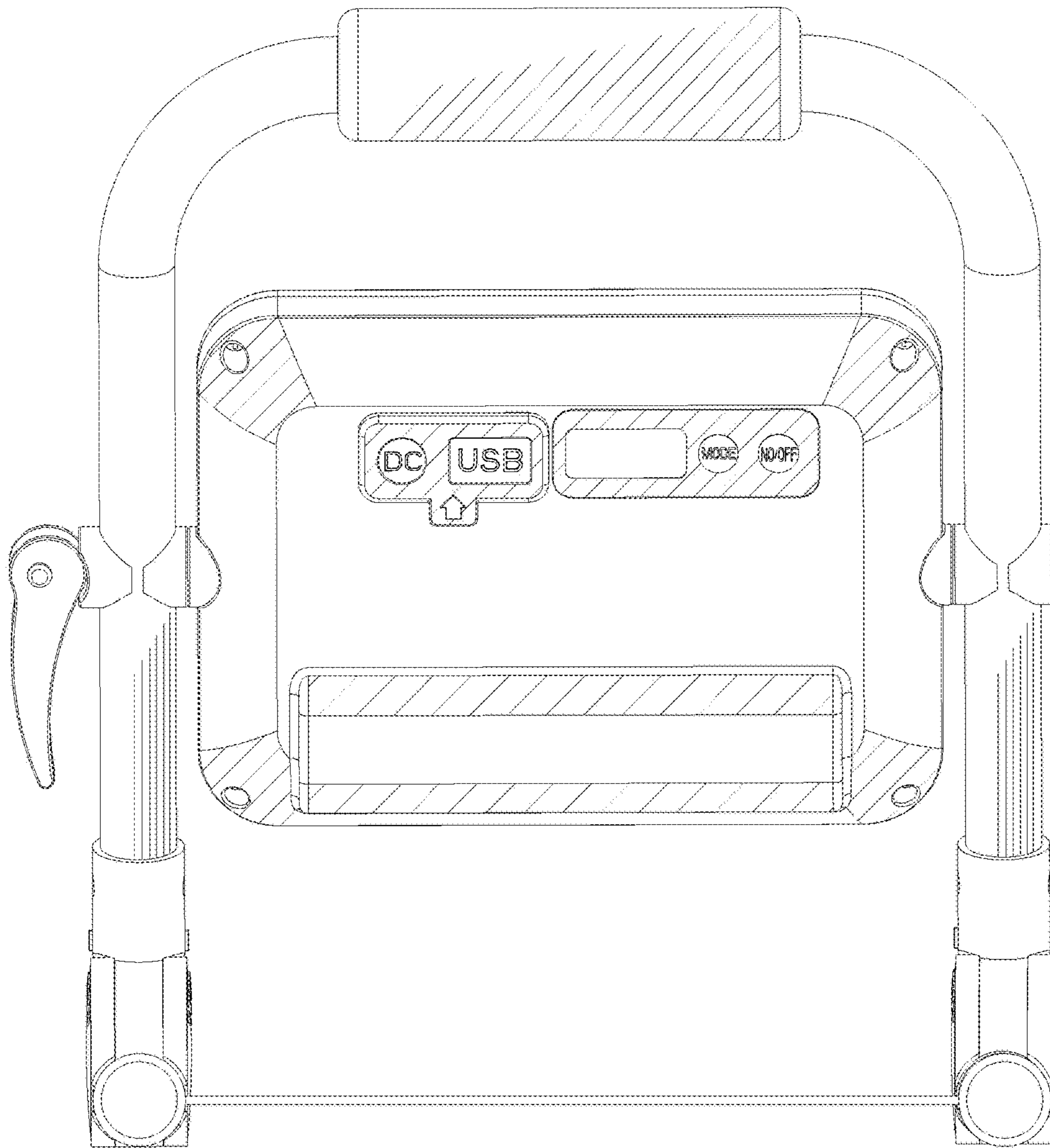


Fig. 3

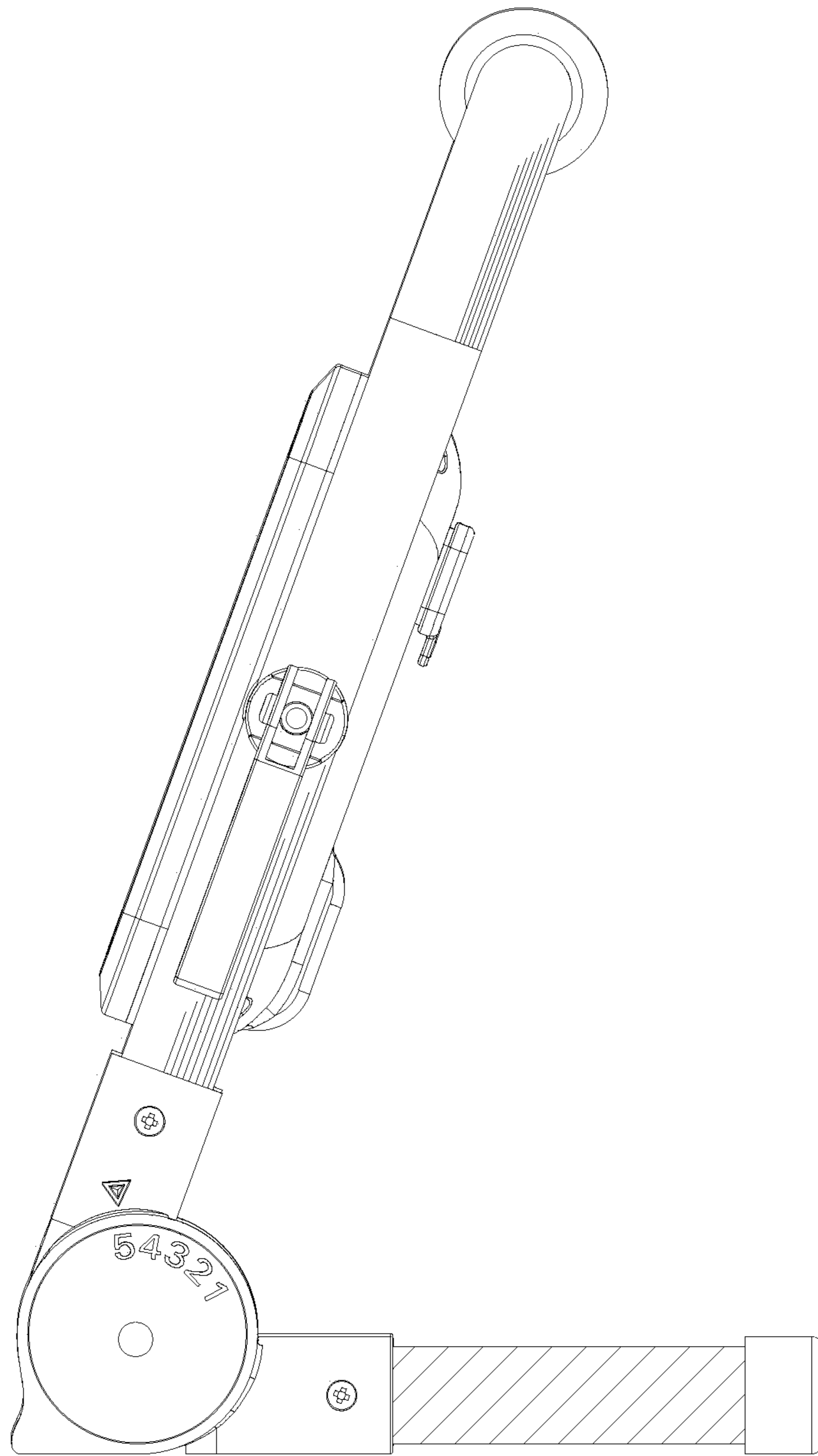


Fig. 4

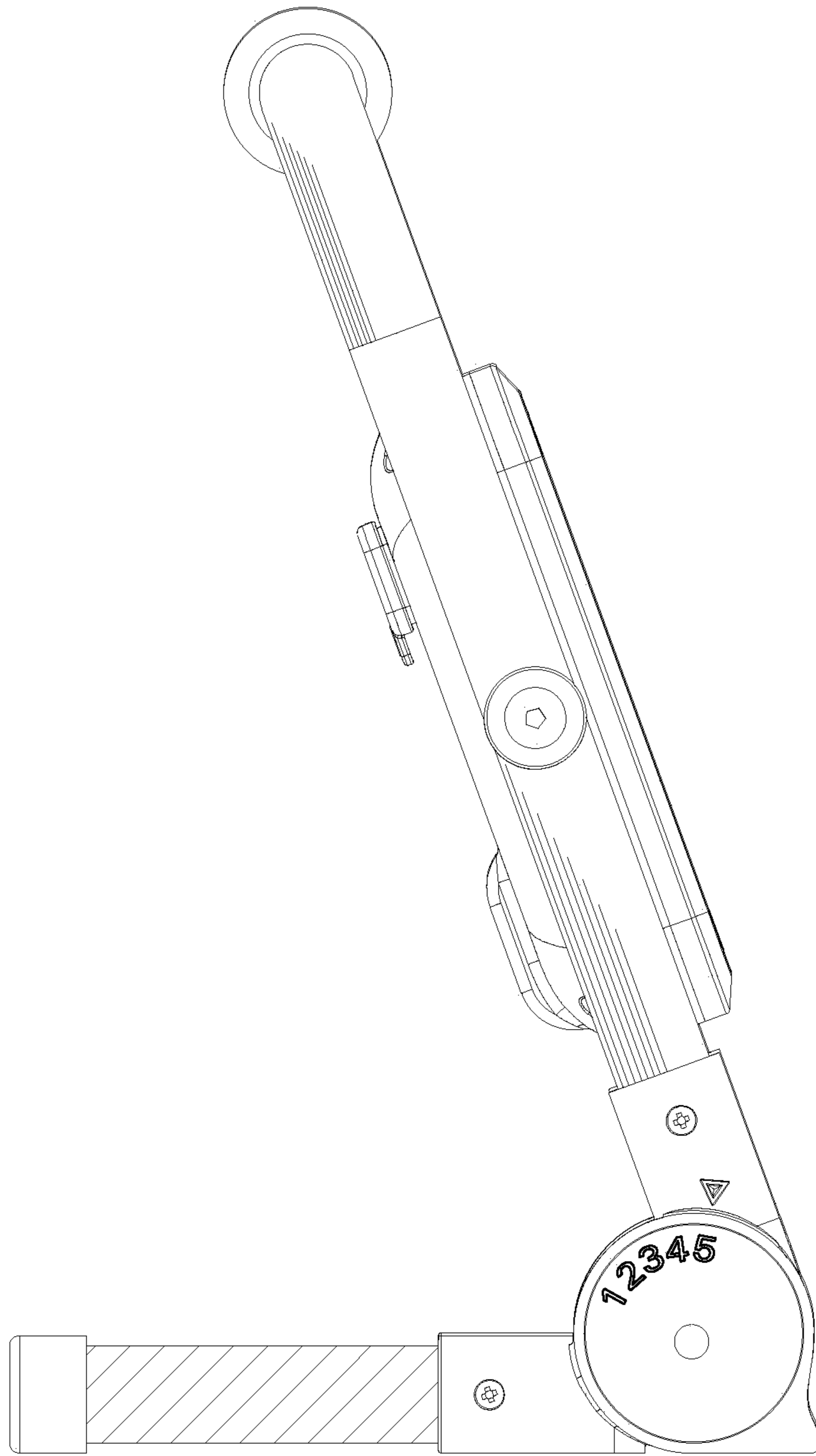


Fig. 5

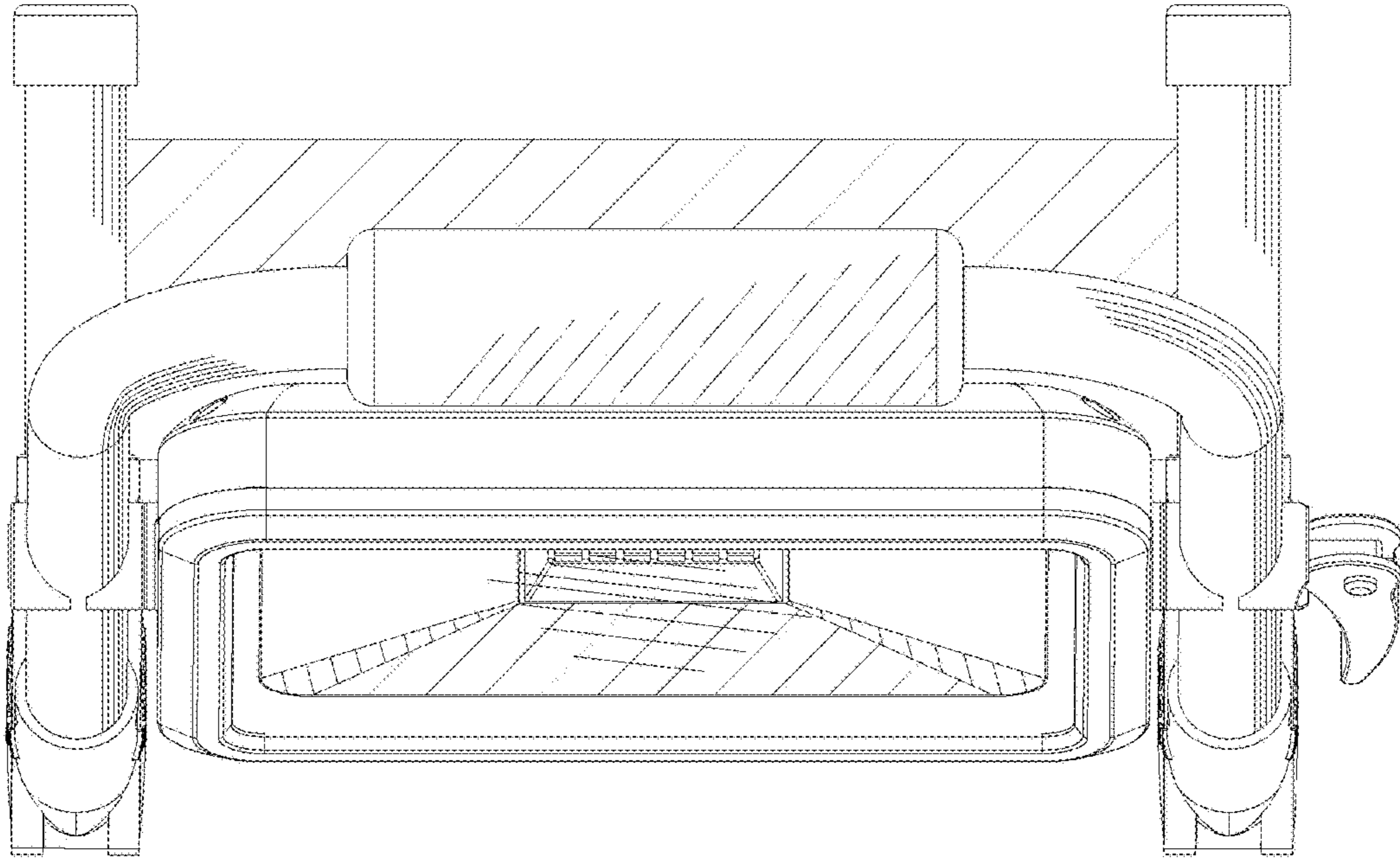


Fig. 6

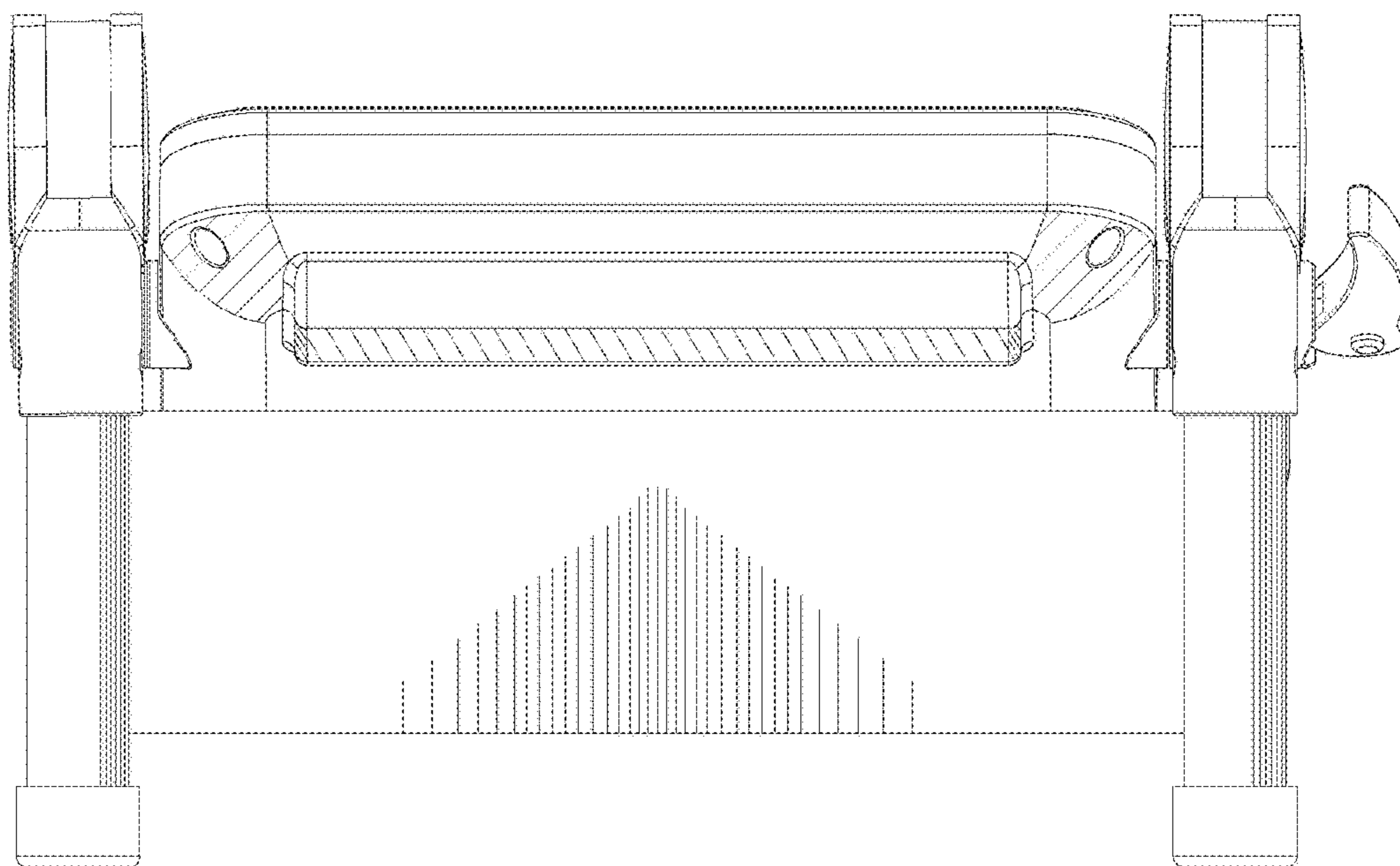


Fig. 7