



US00D779093S

(12) **United States Design Patent**  
**Gajewski**

(10) **Patent No.:** **US D779,093 S**

(45) **Date of Patent:** **\*\* \*Feb. 14, 2017**

(54) **CEILING FAN LIGHT**

(71) Applicant: **Minka Lighting, Inc.**, Corona, CA  
(US)

(72) Inventor: **Mark Gajewski**, Avila Beach, CA (US)

(73) Assignee: **Minka Lighting, Inc.**, Corona, CA  
(US)

(\*) Notice: This patent is subject to a terminal disclaimer.

(\*\*) Term: **15 Years**

(21) Appl. No.: **29/569,246**

(22) Filed: **Jun. 24, 2016**

**Related U.S. Application Data**

(63) Continuation of application No. 29/553,157, filed on Jan. 28, 2016, which is a continuation-in-part of application No. 29/511,472, filed on Dec. 10, 2014, now abandoned.

(51) **LOC (10) Cl.** ..... **26-06**

(52) **U.S. Cl.**  
USPC ..... **D26/59; D23/411**

(58) **Field of Classification Search**  
USPC ..... D23/377, 379, 385, 387, 411-414, 499;  
416/1, 5, 170 R, 214 R, 184, 206, 207,  
416/210 R, 220 R, 244 R, 248; 392/364;  
D26/59, 51, 72, 73, 80-86, 88, 90  
CPC .... F04D 25/088; F04D 29/005; F04D 29/601;  
F04D 29/322; F04D 29/324; F04D 29/34;  
F21V 33/0096

See application file for complete search history.

(56) **References Cited**

**U.S. PATENT DOCUMENTS**

D90,062 S \* 6/1933 Dasher ..... D23/378  
D90,063 S 6/1933 Dasher

D132,865 S \* 6/1942 Drollinger ..... D14/209  
D149,133 S \* 3/1948 Kisling ..... D23/377  
D298,454 S 11/1988 Clyde-Mason  
D302,324 S \* 7/1989 Moran ..... D26/59  
D302,863 S \* 8/1989 Krol ..... D26/2  
D331,638 S \* 12/1992 Vamberszky ..... D26/118  
D345,790 S 4/1994 Caldwell  
D391,657 S \* 3/1998 Compton ..... D26/68  
D397,482 S \* 8/1998 Binsukor ..... D26/85  
5,951,253 A 9/1999 Gajewski  
D421,113 S 2/2000 Zuege  
6,171,060 B1 1/2001 Gajewski  
D488,555 S \* 4/2004 Huang ..... D23/411  
D497,447 S \* 10/2004 Yoneda ..... D26/24  
D530,039 S \* 10/2006 Blackman ..... D26/85  
D541,958 S \* 5/2007 Holldorff ..... D26/24  
D583,923 S 12/2008 Bucher et al.

(Continued)

*Primary Examiner* — Susan Bennett Hattan

*Assistant Examiner* — Marie Fast Horse

(74) *Attorney, Agent, or Firm* — Baker & McKenzie LLP

(57) **CLAIM**

The ornamental design for a ceiling fan light, as shown and described.

**DESCRIPTION**

FIG. 1 is a perspective view of a ceiling fan light in accordance with my design;

FIG. 2 is an enlarged perspective view of the ceiling fan light in accordance with my design;

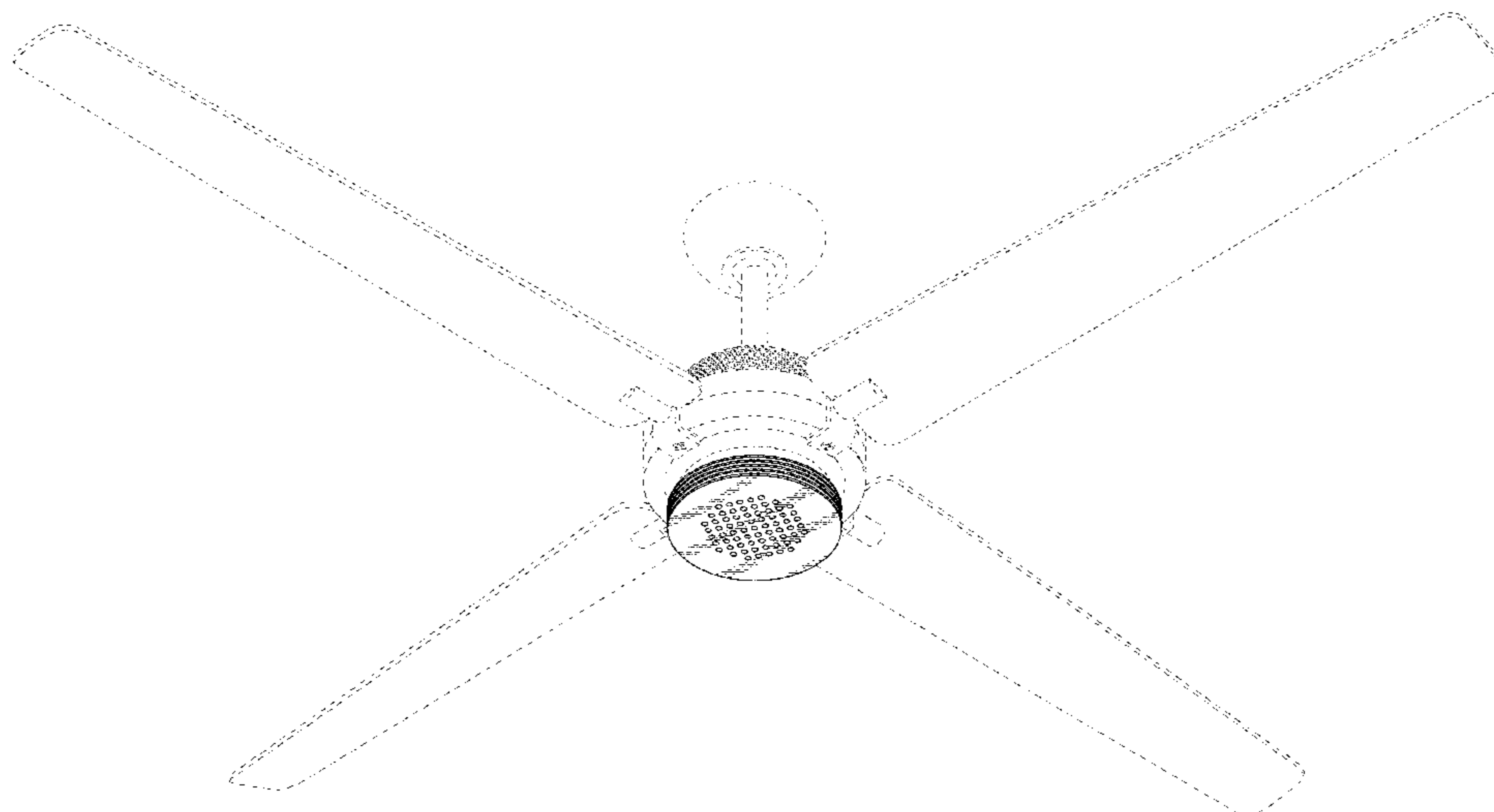
FIG. 3 is an enlarged bottom plan view of the ceiling fan light in accordance with my design;

FIG. 4 is an enlarged front side view of the ceiling fan light in accordance with my design, the rear side being identical thereto; and,

FIG. 5 is an enlarged left-side view of the ceiling fan light in accordance with my design, the opposite side being identical thereto.

The broken-line disclosure of elements is understood to represent portions of the article in which the design is embodied, but which form no part of the claimed design.

**1 Claim, 3 Drawing Sheets**



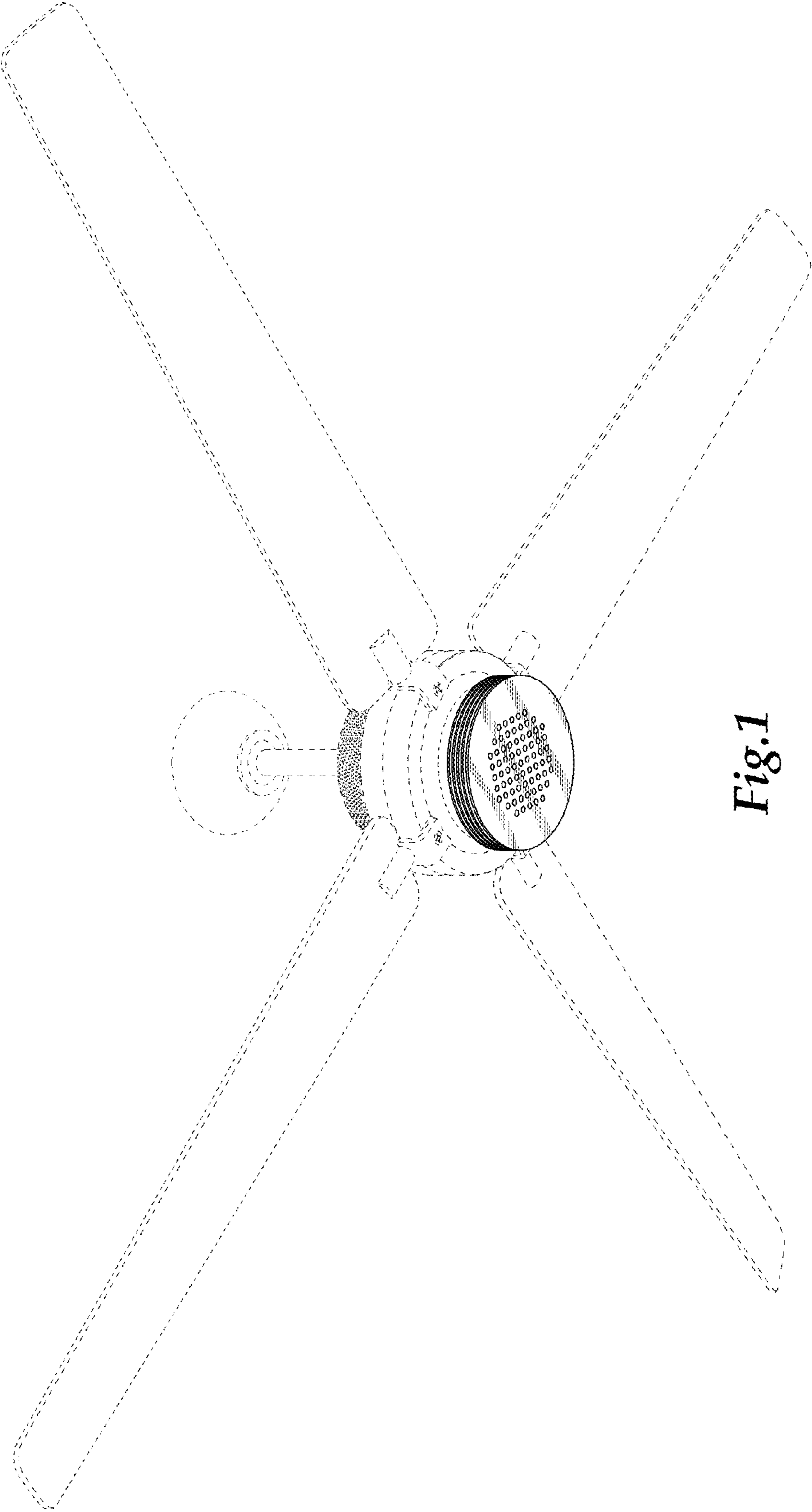
(56)

**References Cited**

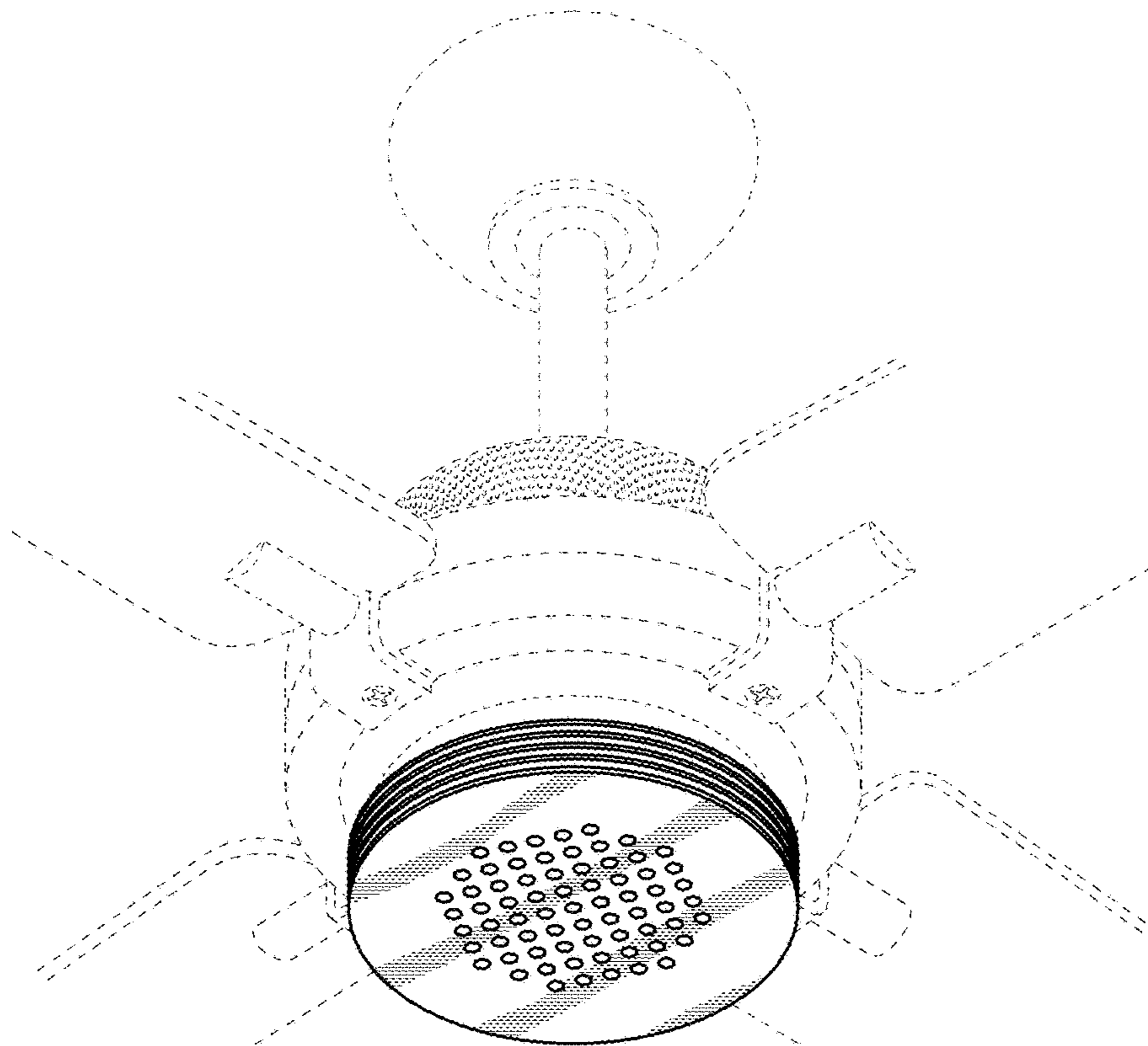
U.S. PATENT DOCUMENTS

D584,428	S	*	1/2009	Li	.....	D26/2
D589,636	S	*	3/2009	Pinette	.....	D26/63
D594,997	S	*	6/2009	Zhu	.....	D26/2
D596,733	S		7/2009	Kihara		
D626,666	S	*	11/2010	Yamamoto	.....	D26/2
D628,312	S	*	11/2010	Yamamoto	.....	D26/2
D628,688	S		12/2010	Pan		
D639,498	S	*	6/2011	Kawagoe	.....	D26/120
D652,133	S	*	1/2012	Hiner	.....	D23/377
D676,543	S	*	2/2013	Hiner	.....	D23/377
D676,952	S	*	2/2013	Hiner	.....	D23/377
D698,914	S	*	2/2014	Love	.....	D23/377
D700,984	S	*	3/2014	Yang	.....	D26/59
D704,819	S	*	5/2014	Wang	.....	D23/411
D707,336	S		6/2014	Pan		
D728,775	S	*	5/2015	Gajewski	.....	D23/411
D742,059	S	*	10/2015	Gettings	.....	D26/120
D747,452	S		1/2016	Gajewski		

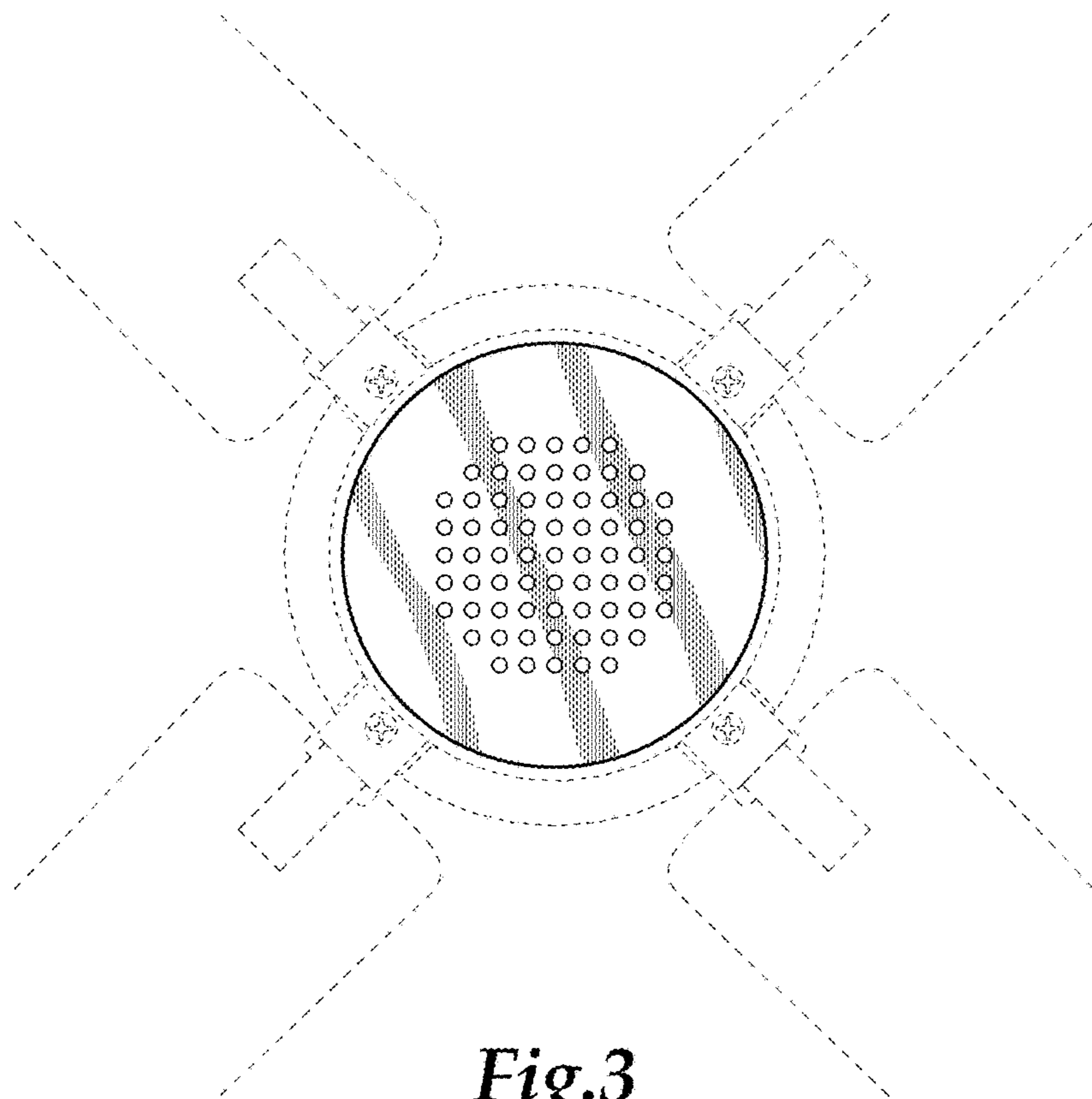
\* cited by examiner



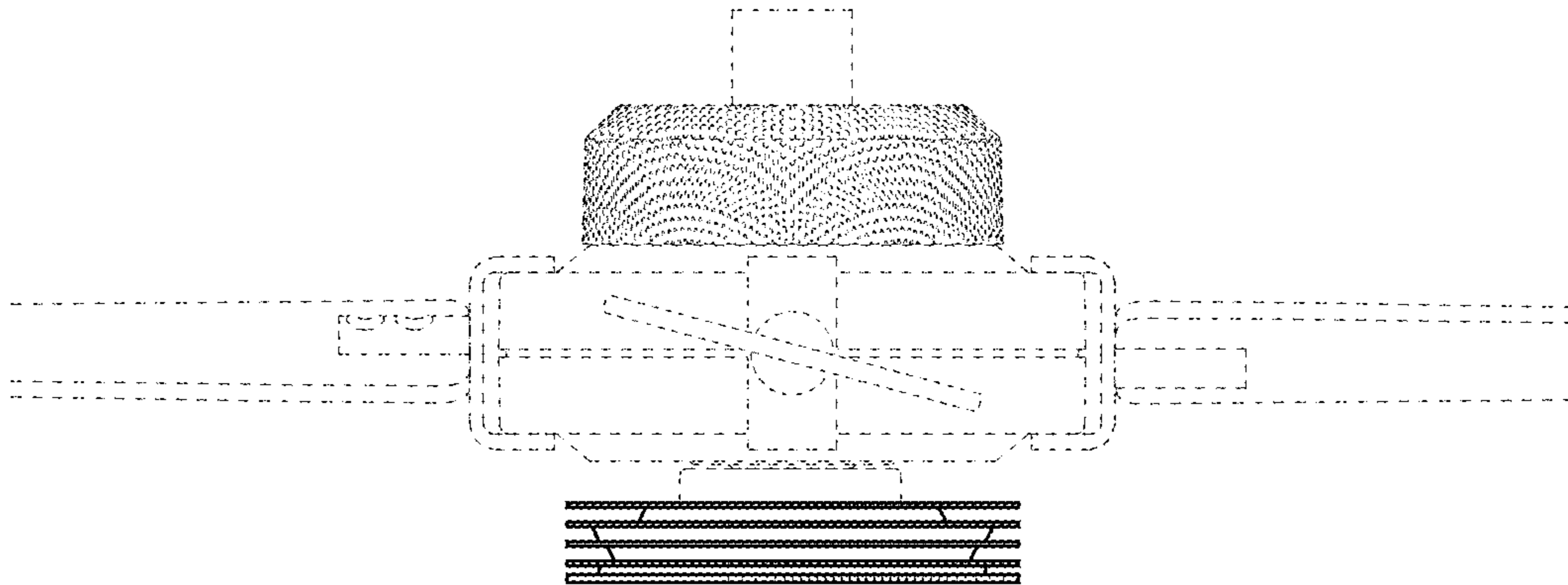
*Fig. 1*



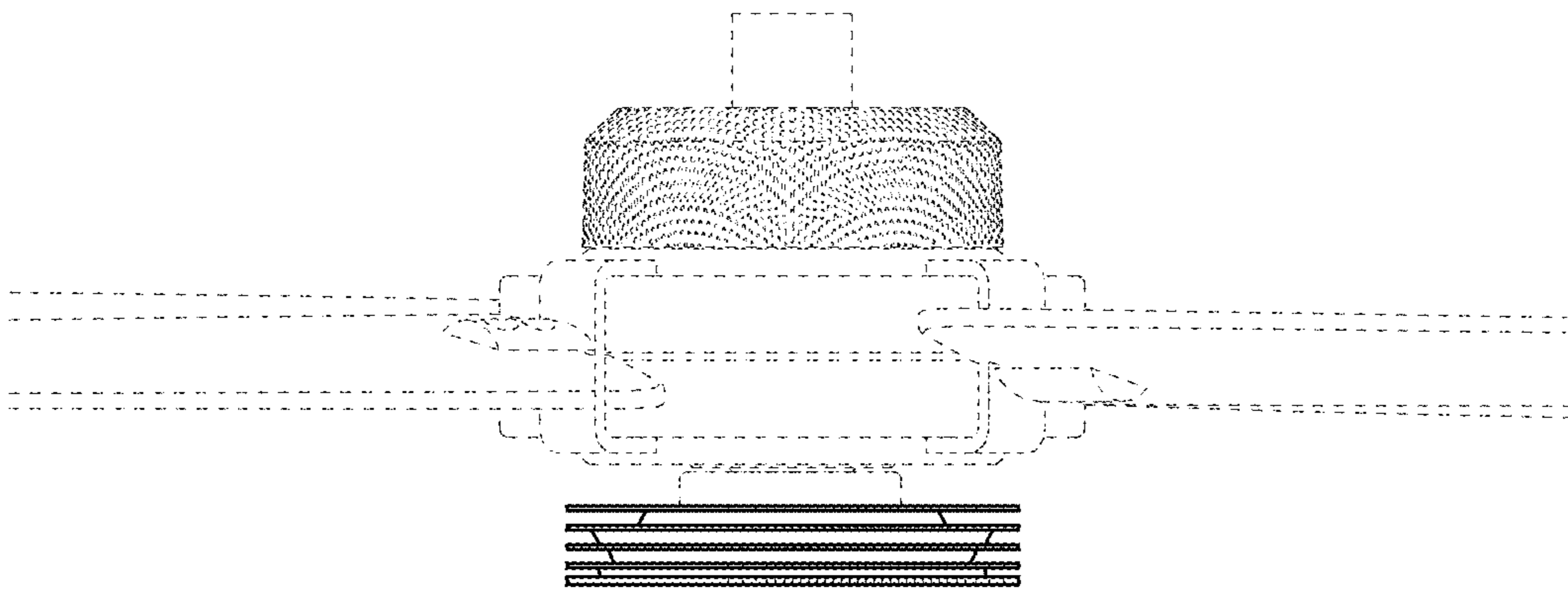
*Fig. 2*



*Fig. 3*



*Fig.4*



*Fig.5*