



US00D779091S

(12) **United States Design Patent** (10) **Patent No.:** **US D779,091 S**
Giolito (45) **Date of Patent:** **** Feb. 14, 2017**

(54) **TAILLIGHT FOR A VEHICLE**
(71) Applicant: **FCA Italy S.p.A.**, Turin (IT)
(72) Inventor: **Roberto Giolito**, Turin (IT)
(73) Assignee: **FCA ITALY S.p.A.**, Turin (IT)
(**) Term: **15 Years**
(21) Appl. No.: **29/544,793**
(22) Filed: **Nov. 6, 2015**
(30) **Foreign Application Priority Data**
May 21, 2015 (EM) 002704957
(51) **LOC (10) Cl.** **26-06**
(52) **U.S. Cl.**
USPC **D26/28**
(58) **Field of Classification Search**
USPC D26/28-36; 362/80-83, 267-269,
362/459-468, 475-478, 485-487
CPC F21S 48/00; F21S 48/10; F21S 48/115;
F21S 48/225; F21S 48/1233; F21S
48/1266; F21S 48/1388; F21S 48/2268;
F21V 21/04
See application file for complete search history.

(56) **References Cited**
U.S. PATENT DOCUMENTS
D549,363 S * 8/2007 Pfeiffer D26/28
D553,268 S * 10/2007 Pfeiffer D26/28
D553,269 S * 10/2007 Pfeiffer D26/28

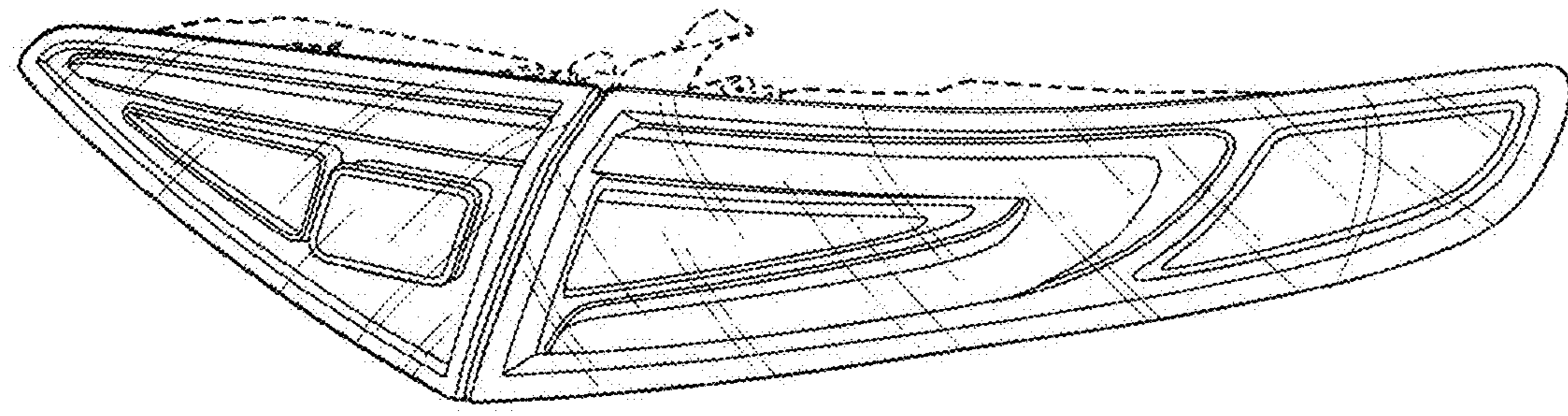
D560,292 S * 1/2008 Sato D26/28
D561,357 S * 2/2008 Leclercq D26/28
D565,211 S * 3/2008 Haller D26/28

* cited by examiner
Primary Examiner — Marcus Jackson
(74) *Attorney, Agent, or Firm* — Cowan, Liebowitz & Latman, P.C.

(57) **CLAIM**
The ornamental design for a taillight for a vehicle, as shown and described.

DESCRIPTION
FIG. 1 is a front perspective view of the taillight for a vehicle showing my design thereof;
FIG. 2 is a front view thereof;
FIG. 3 is a rear view thereof;
FIG. 4 is a right side view thereof;
FIG. 5 is a left side view thereof;
FIG. 6 is a top view thereof; and,
FIG. 7 is a bottom view thereof.
The features shown in broken lines are form no part of the claimed design.

1 Claim, 7 Drawing Sheets



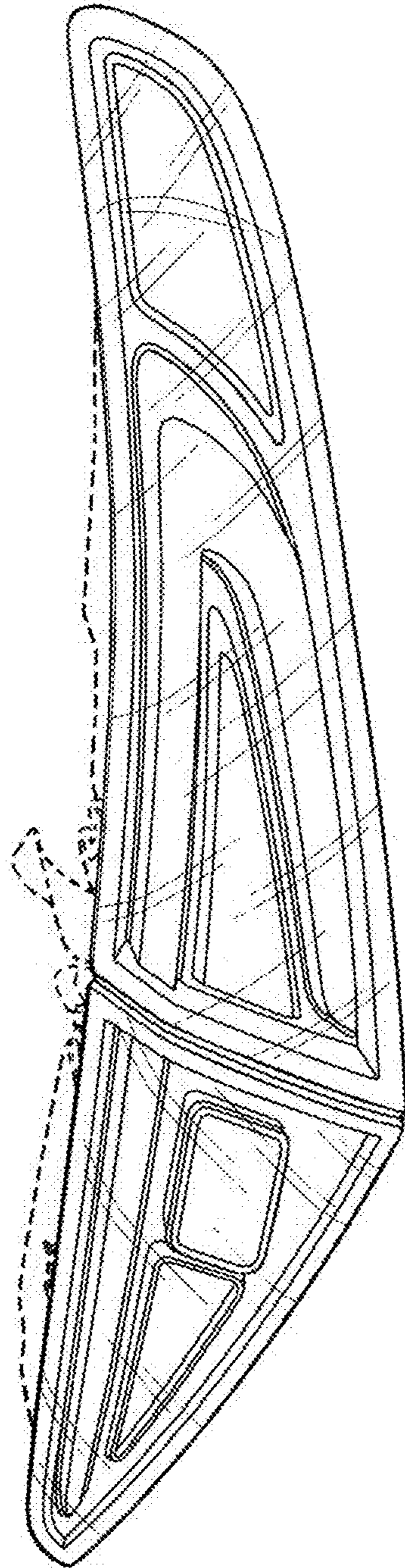


Fig. 1

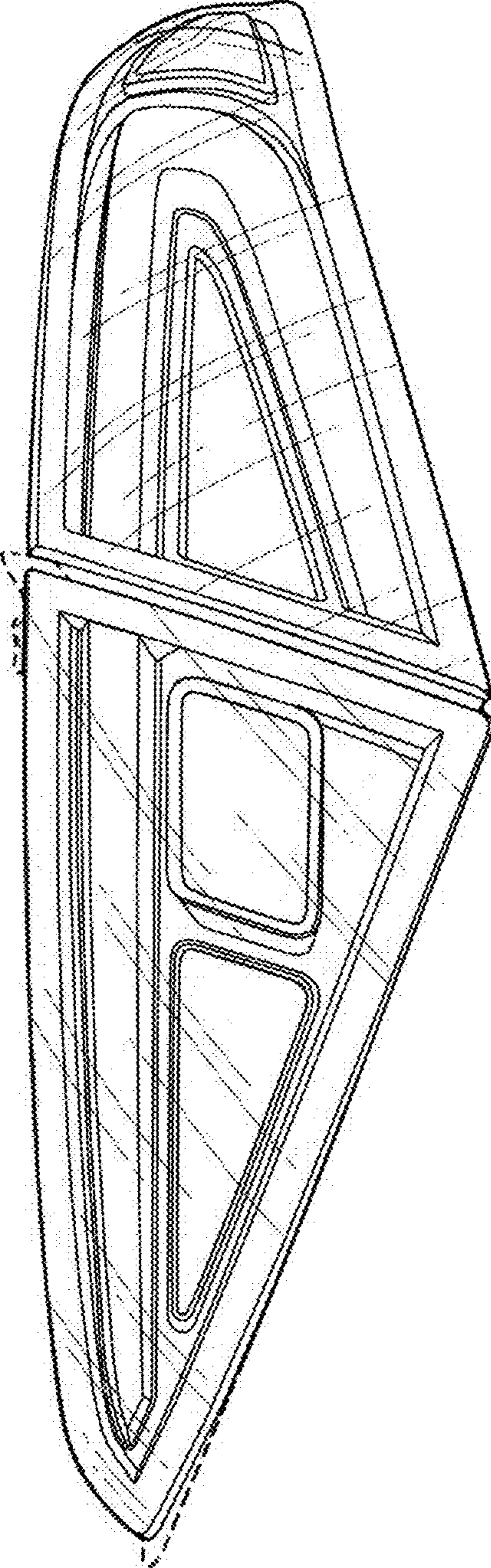


Fig. 2

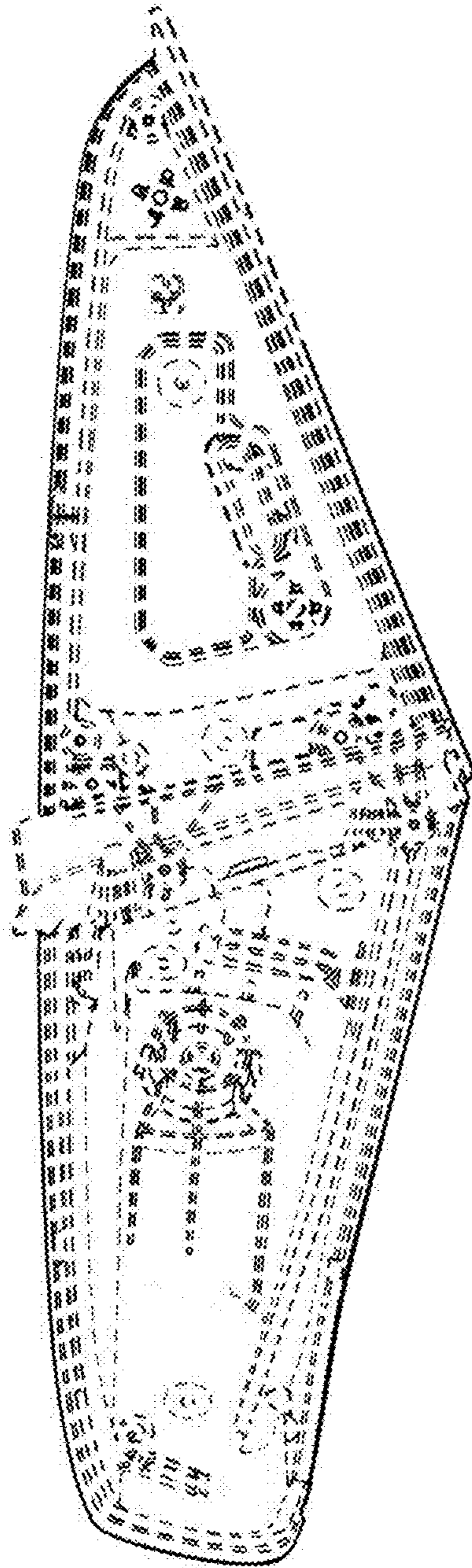


Fig. 3

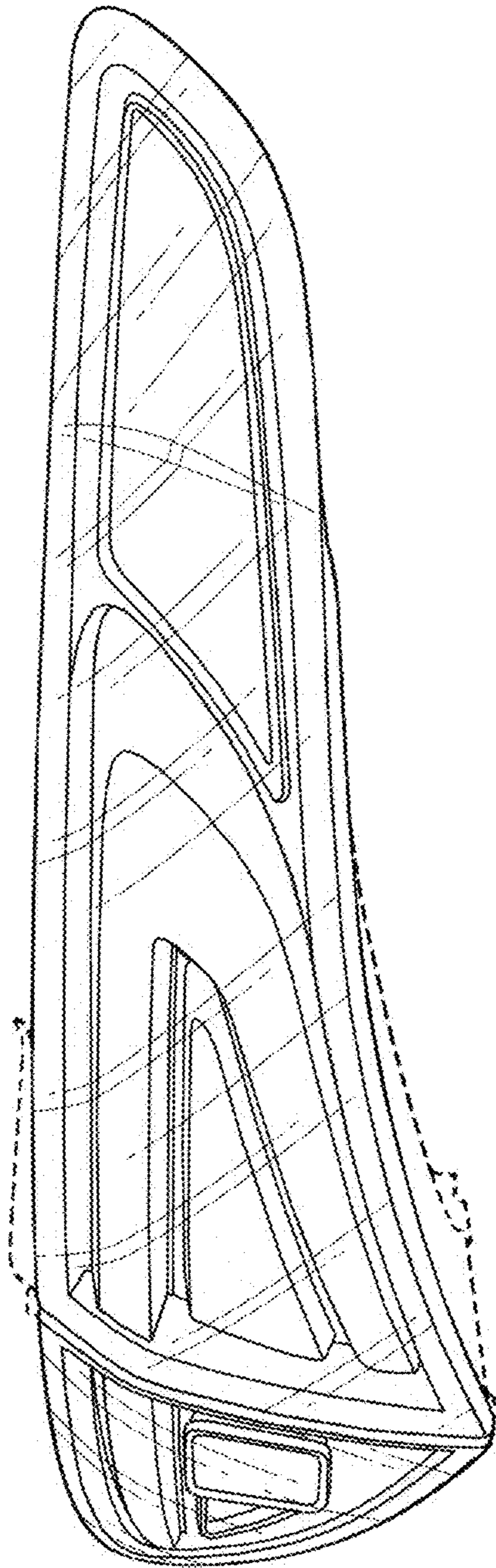


Fig. 4

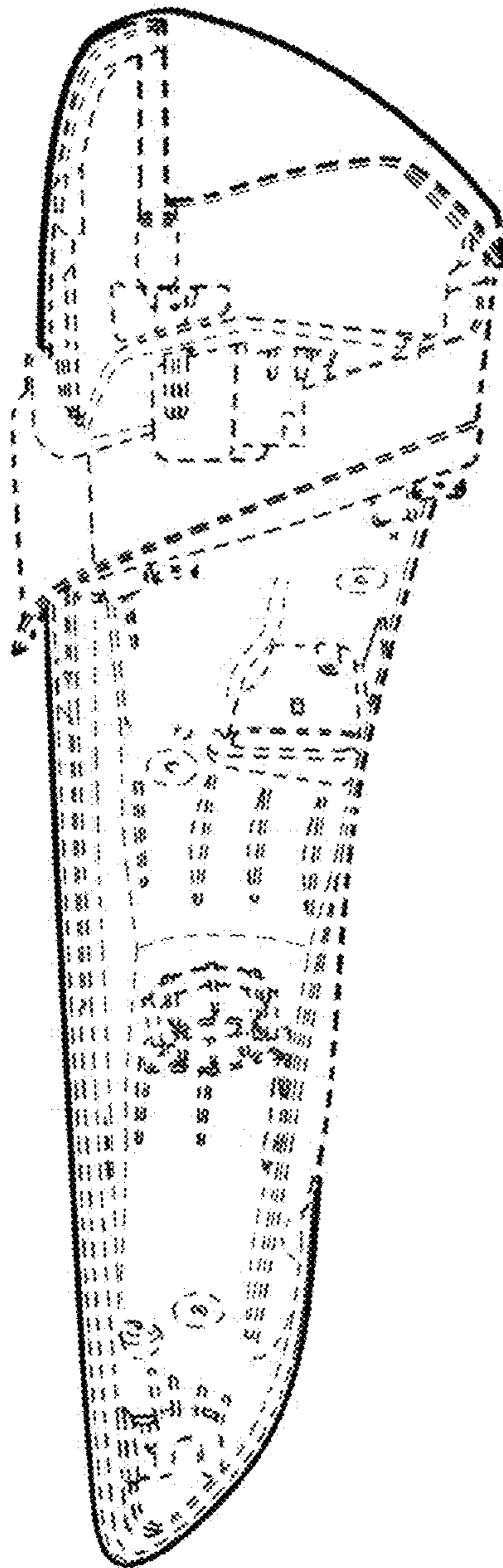


Fig. 5

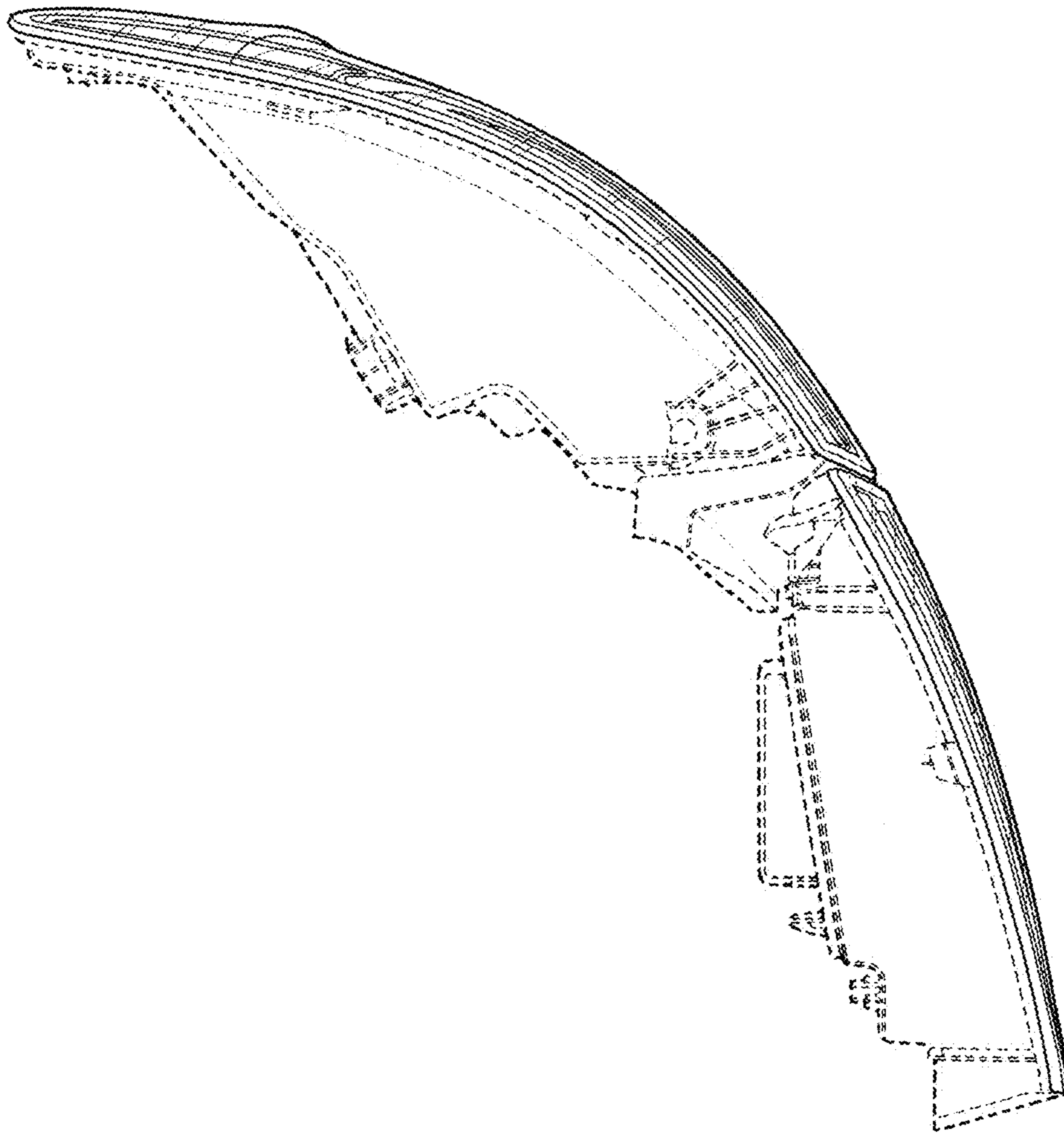


Fig. 6

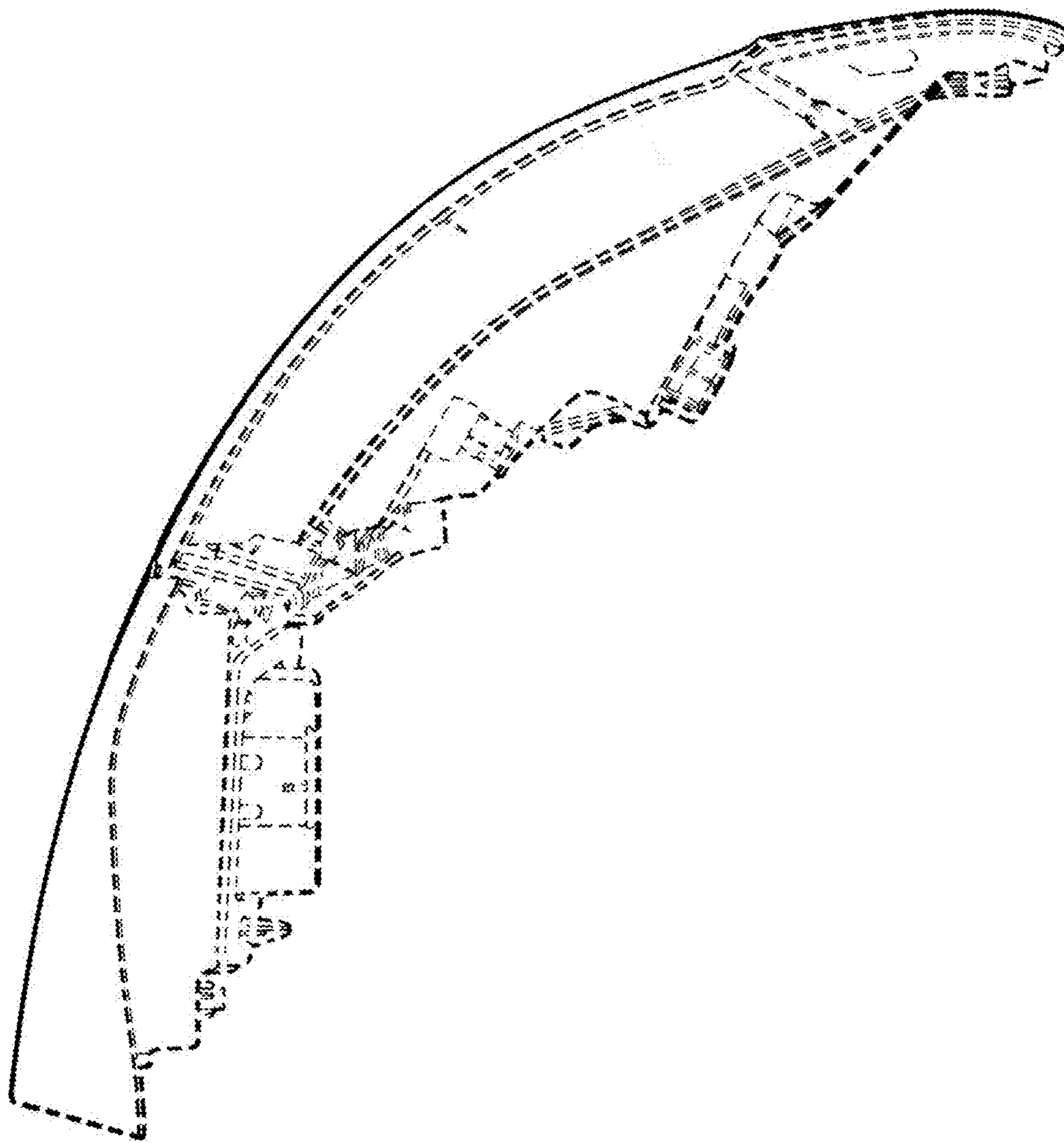


Fig. 7