



US00D779089S

(12) **United States Design Patent** (10) **Patent No.:** **US D779,089 S**
Giolito (45) **Date of Patent:** **** Feb. 14, 2017**

(54) **HEADLIGHT FOR A VEHICLE**
(71) Applicant: **FCA Italy S.p.A.**, Turin (IT)
(72) Inventor: **Roberto Giolito**, Turin (IT)
(73) Assignee: **FCA ITALY S.p.A.**, Turin (IT)
(**) Term: **15 Years**
(21) Appl. No.: **29/544,789**
(22) Filed: **Nov. 6, 2015**

D535,409 S * 1/2007 Yamaguchi D26/28
D675,759 S * 2/2013 Wada D26/28
D677,813 S * 3/2013 Hanaoka D26/28

* cited by examiner

Primary Examiner — Marcus Jackson

(74) *Attorney, Agent, or Firm* — Cowan, Liebowitz & Latman, P.C.

(30) **Foreign Application Priority Data**

May 21, 2015 (EM) 002704957

(51) **LOC (10) Cl.** **26-06**

(52) **U.S. Cl.**
USPC **D26/28**

(58) **Field of Classification Search**
USPC D26/28–36; 362/80–83, 267–269,
362/459–468, 475–478, 485–487
CPC F21S 48/00; F21S 48/10; F21S 48/115;
F21S 48/225; F21S 48/1233; F21S
48/1266; F21S 48/1388; F21S 48/2268;
F21V 21/04

See application file for complete search history.

(56) **References Cited**

U.S. PATENT DOCUMENTS

D528,231 S * 9/2006 Ikeda D26/28
D528,686 S * 9/2006 Kato D26/28
D529,208 S * 9/2006 Ikeda D26/28

(57) **CLAIM**

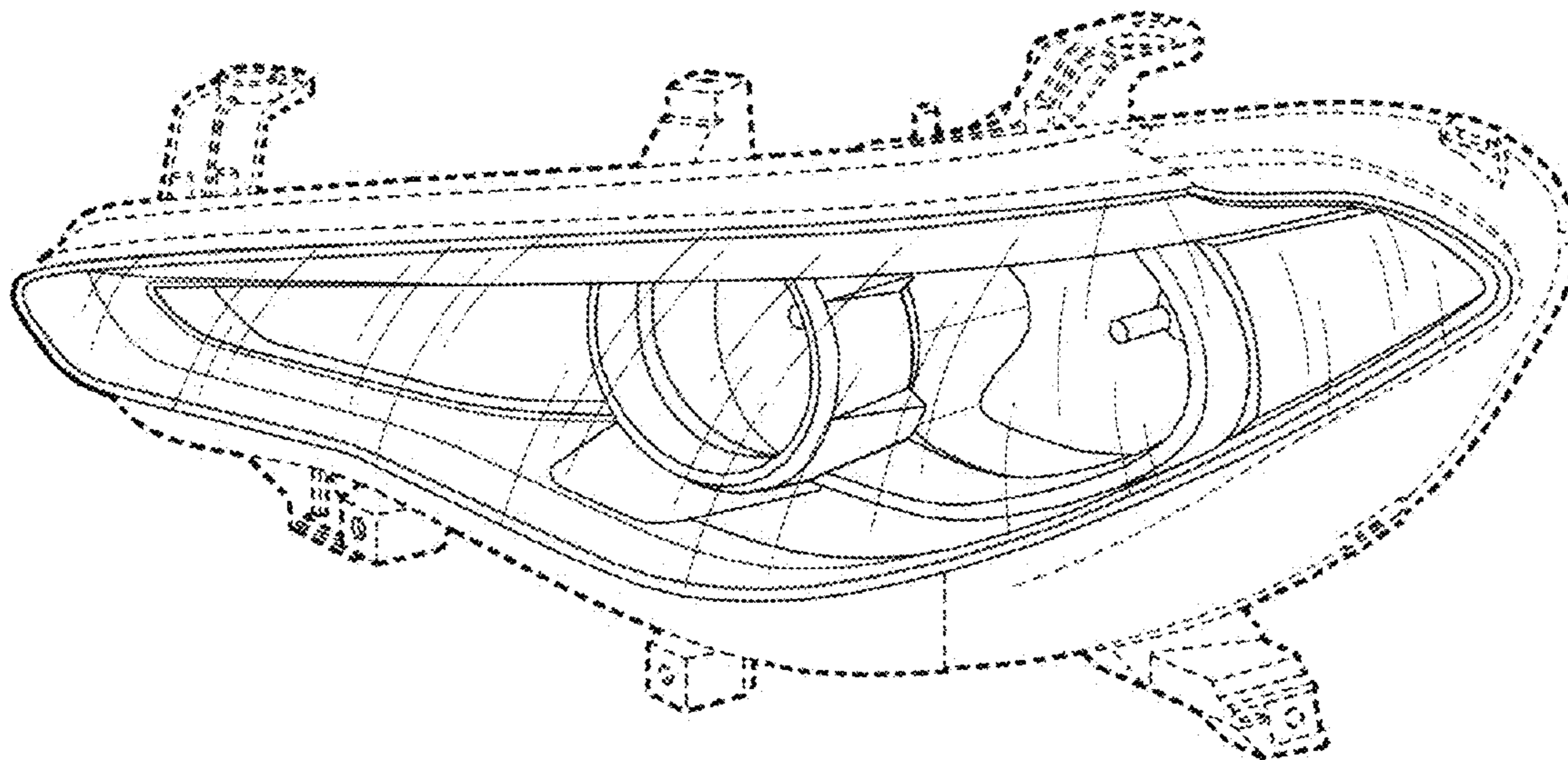
The ornamental design for a headlight for a vehicle, as shown and described.

DESCRIPTION

FIG. 1 is a front perspective view of the headlight for a vehicle showing my design thereof;
FIG. 2 is a front view thereof;
FIG. 3 is a rear view thereof;
FIG. 4 is a right side view thereof;
FIG. 5 is a left side view thereof;
FIG. 6 is a top view thereof; and,
FIG. 7 is a bottom view thereof.

The features shown in broken lines are form no part of the claimed design.

1 Claim, 7 Drawing Sheets



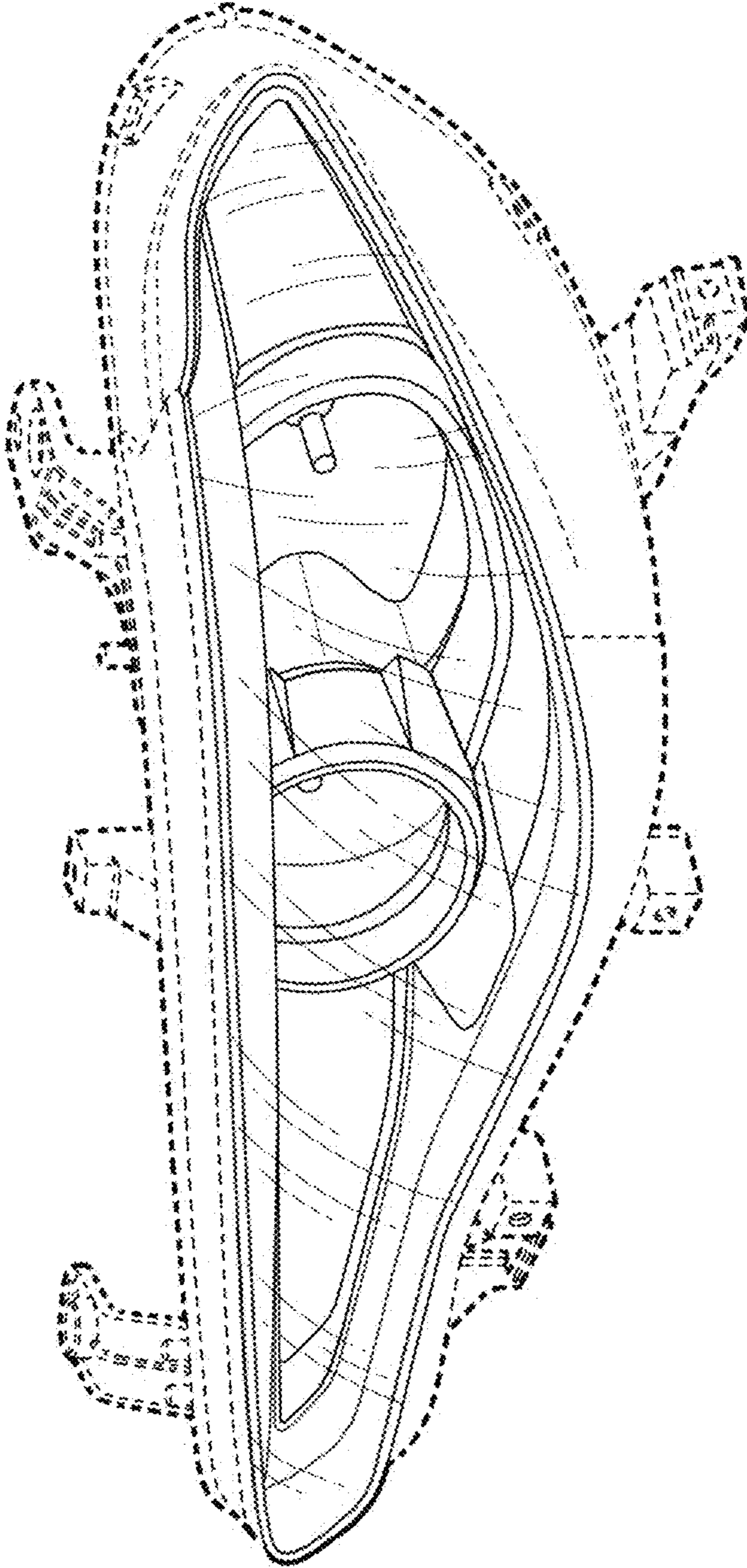


Fig. 1

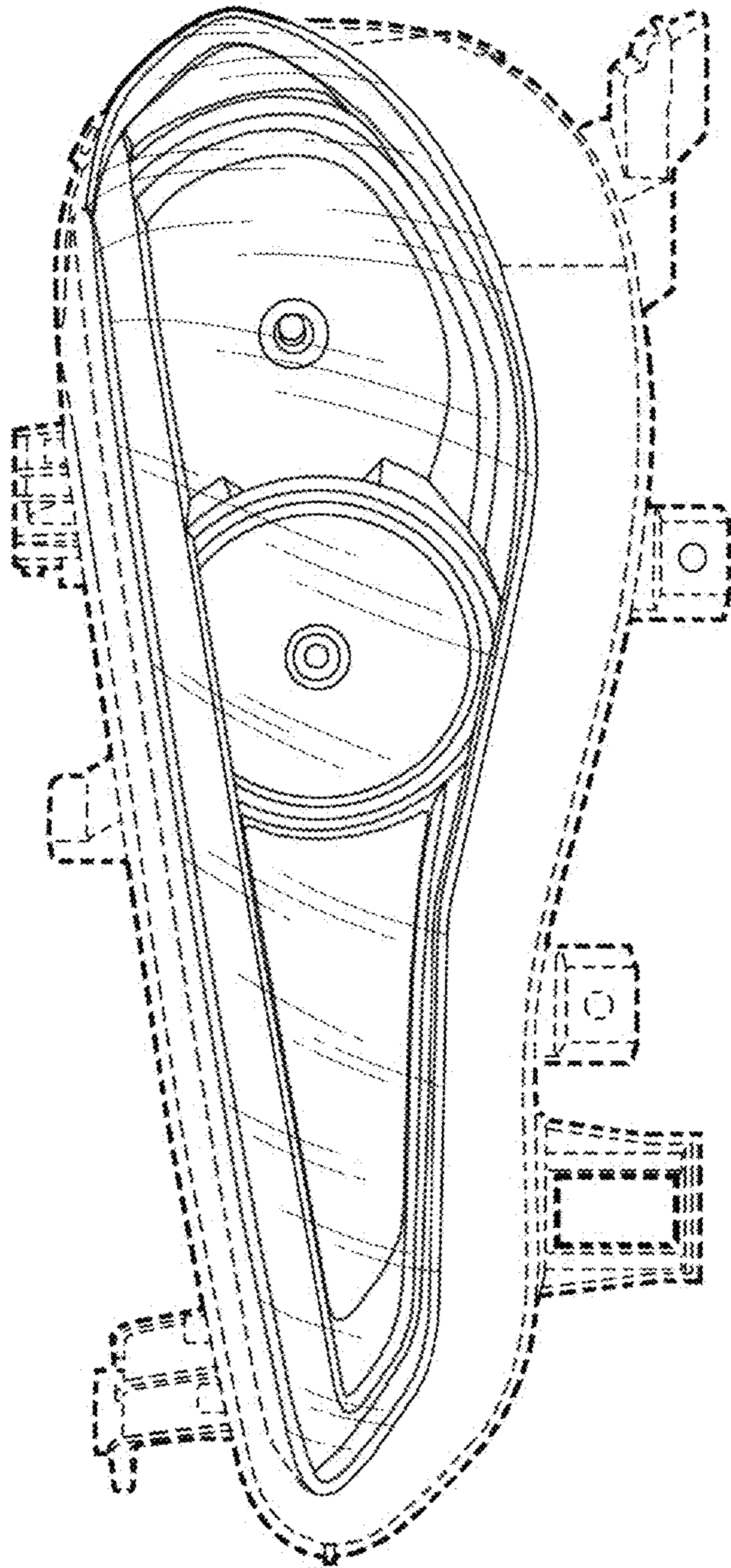


Fig. 2

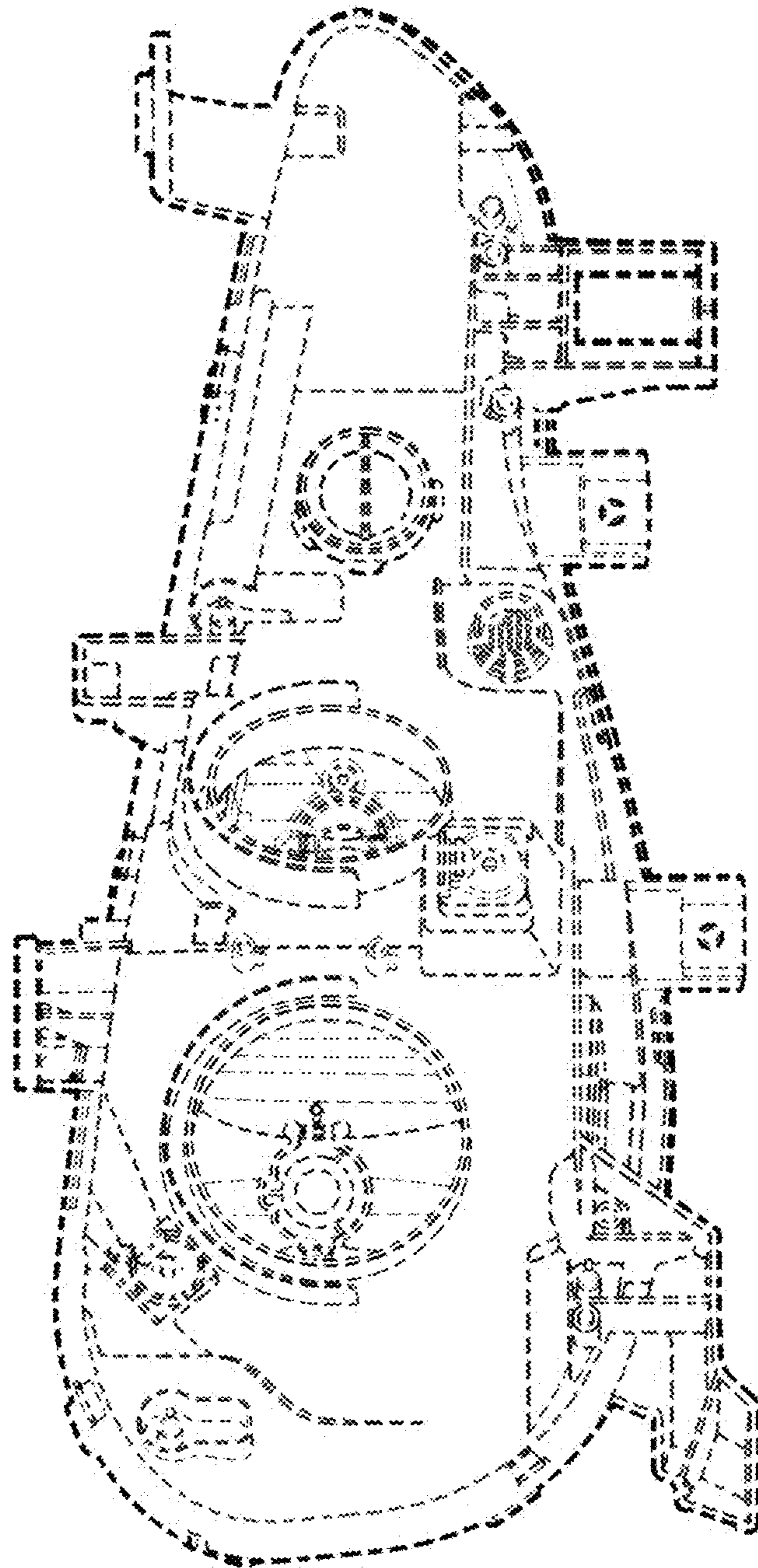


Fig. 3

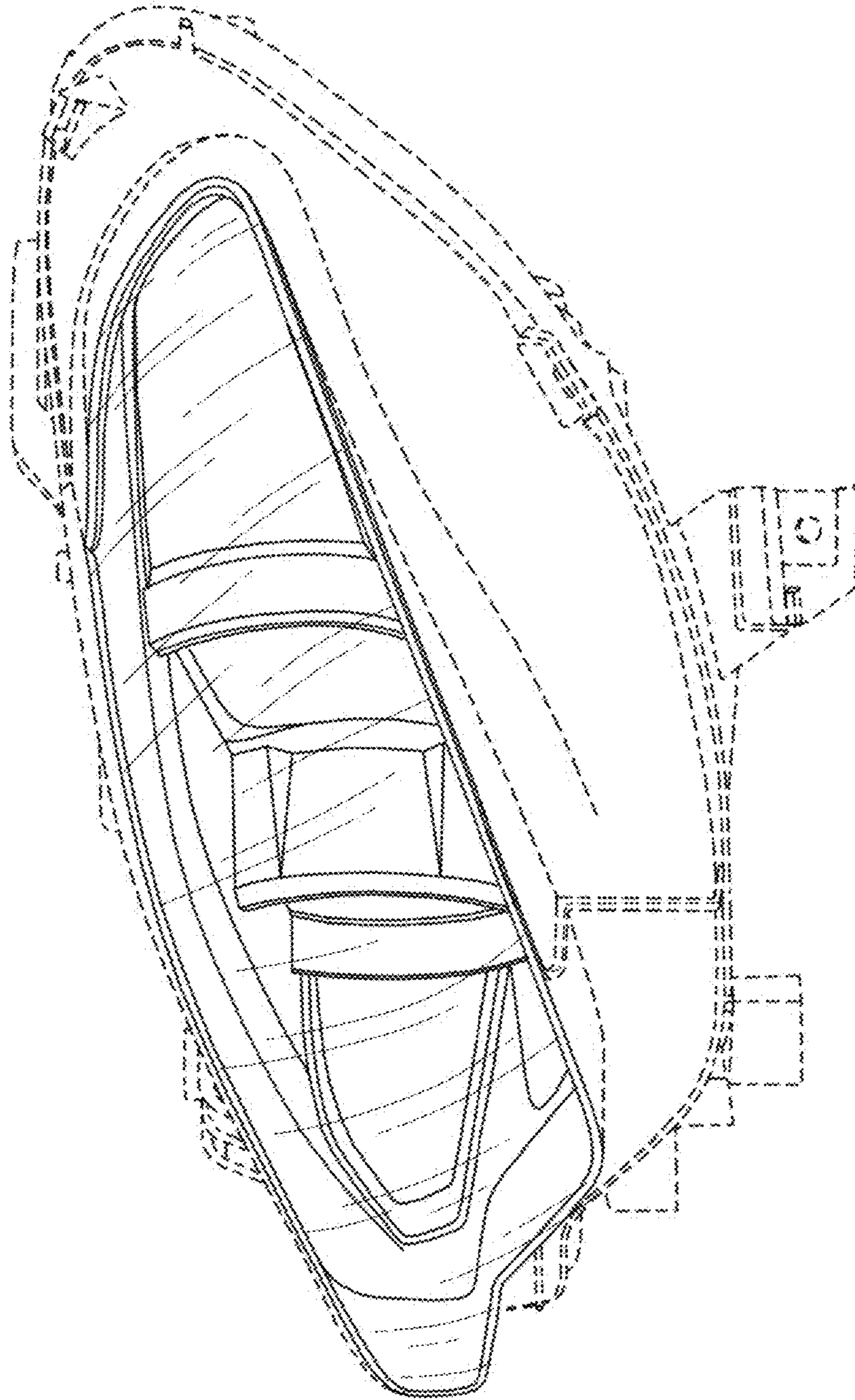


Fig. 4

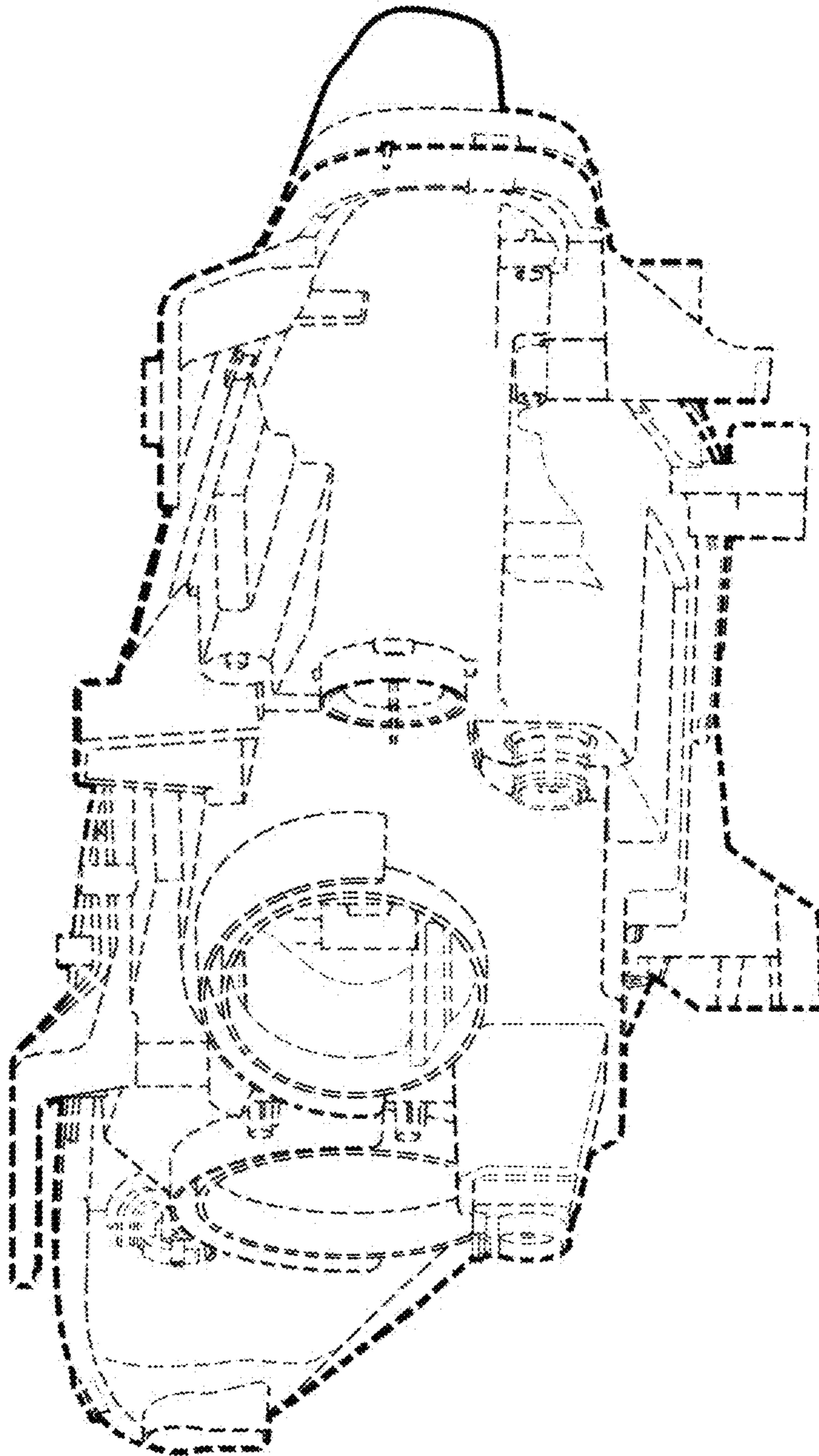


Fig. 5

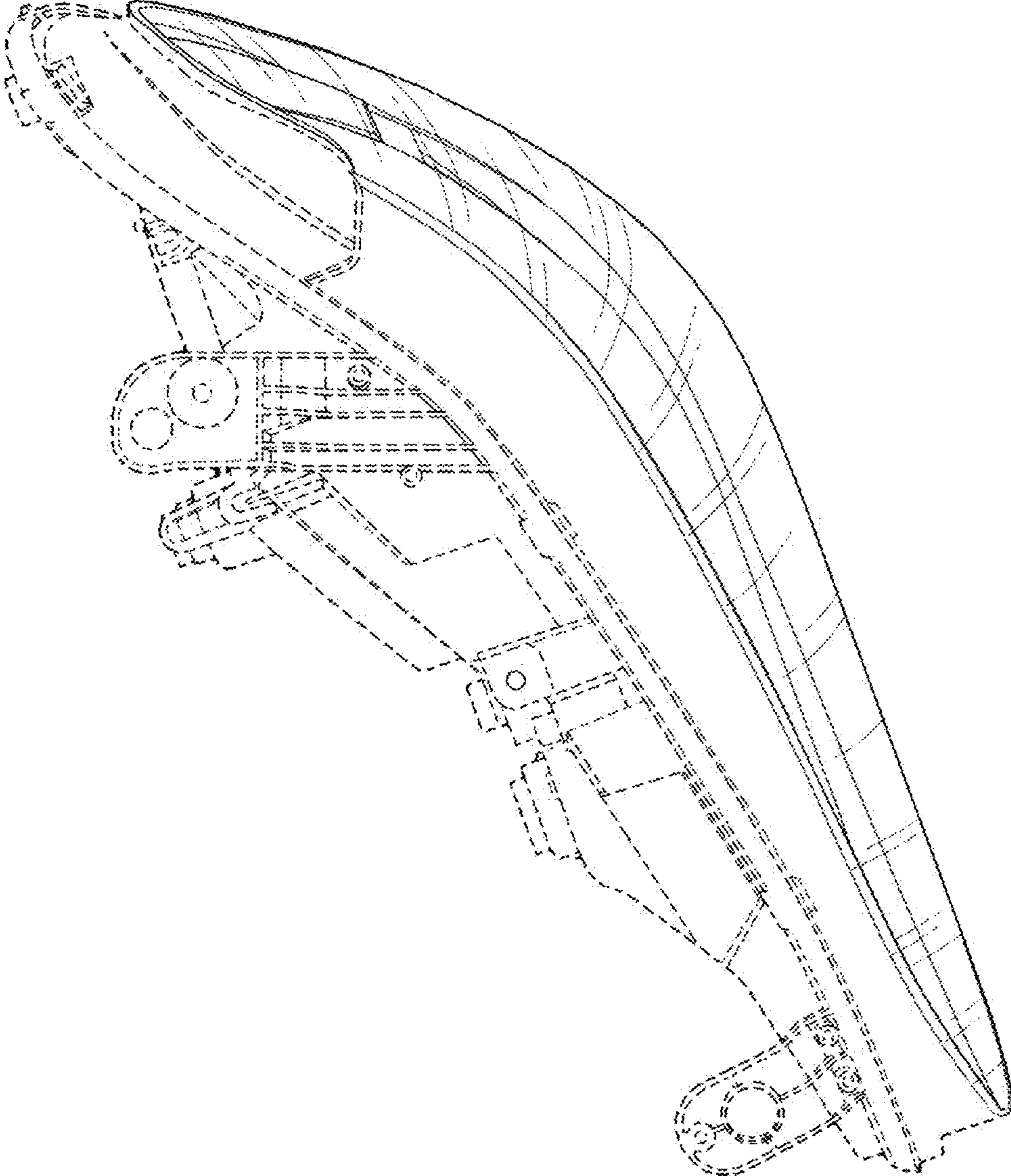


Fig. 6

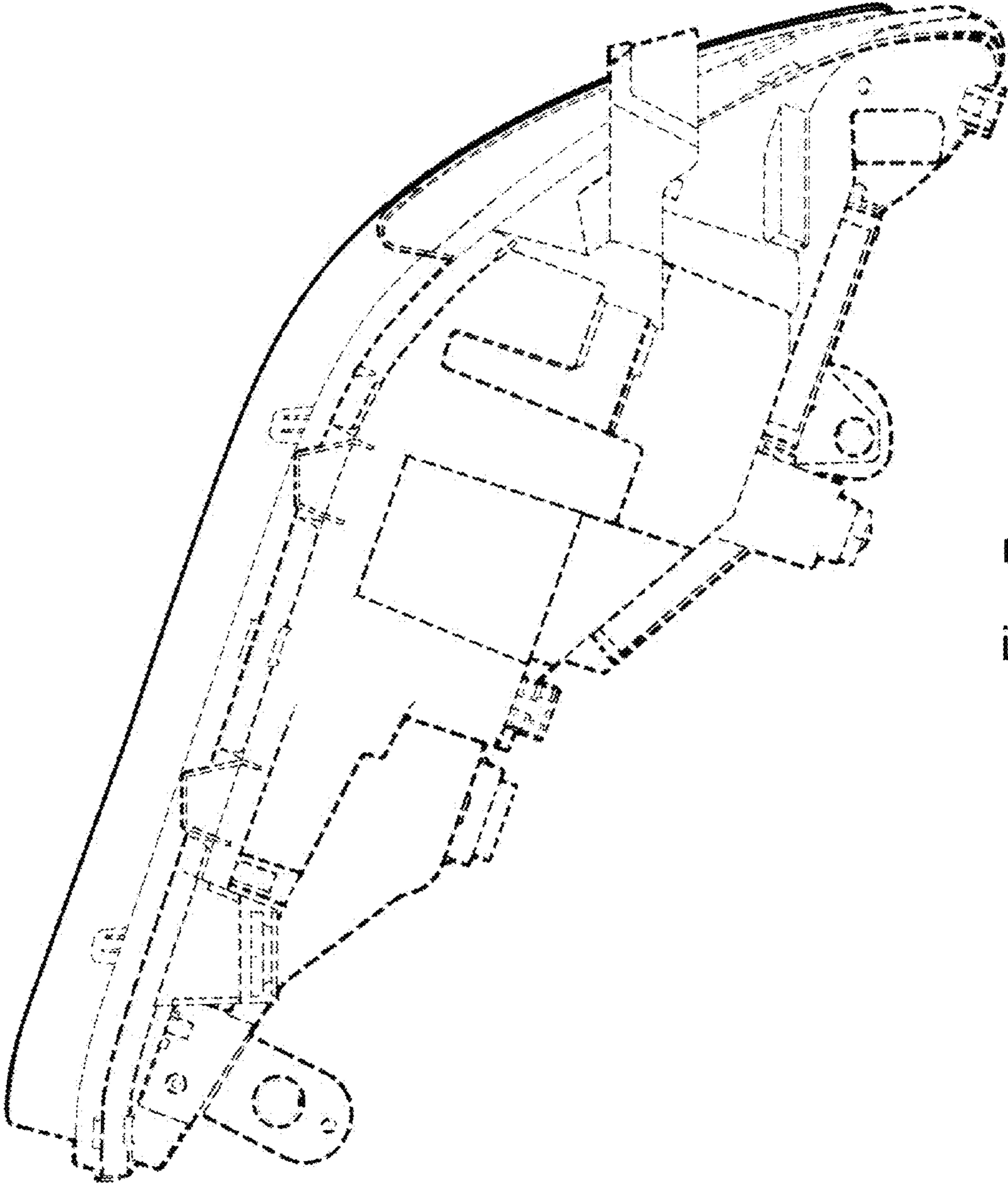


Fig. 7