



US00D779088S

(12) **United States Design Patent** (10) **Patent No.:** **US D779,088 S**
Lessard (45) **Date of Patent:** **** Feb. 14, 2017**

(54) **ACCENT LAMP**
(71) Applicant: **Jason Lessard**, Bow, NH (US)
(72) Inventor: **Jason Lessard**, Bow, NH (US)
(73) Assignee: **OSRAM SYLVANIA Inc.**, Wilmington, MA (US)
(**) Term: **15 Years**
(21) Appl. No.: **29/544,367**
(22) Filed: **Nov. 3, 2015**
(51) **LOC (10) Cl.** **26-06**
(52) **U.S. Cl.**
USPC **D26/28**
(58) **Field of Classification Search**
USPC D26/28-36; 362/80-83, 267-269,
362/459-468, 475-478, 485-487
CPC F21S 48/00; F21S 48/10; F21S 48/115;
F21S 48/225; F21S 48/1233; F21S
48/1266; F21S 48/1388; F21S 48/2268;
F21V 21/04
See application file for complete search history.

7,661,818 B2 2/2010 Waters
D626,670 S * 11/2010 Metzger D26/28
D642,309 S * 7/2011 Huang D26/28
2010/0213814 A1 8/2010 Seymour et al.
2010/0213815 A1 8/2010 Aghamehdi et al.

FOREIGN PATENT DOCUMENTS

JP 2006092922 4/2006
WO 2008121883 A1 10/2008

OTHER PUBLICATIONS

Excerpt of SAE (Society of Automotive Engineers) Tech. Spec. J2560, issued Jul. 2007 (pp. 41-56).
Machine translation of JP 2006-092922 (Pub. Date Jun. 4, 2006) obtained from website astamuse.com (18 pages, unnumbered).

* cited by examiner

Primary Examiner — Marcus Jackson
(74) *Attorney, Agent, or Firm* — Edward S. Podszus

(57) **CLAIM**

The ornamental design for an accent lamp, as shown and described.

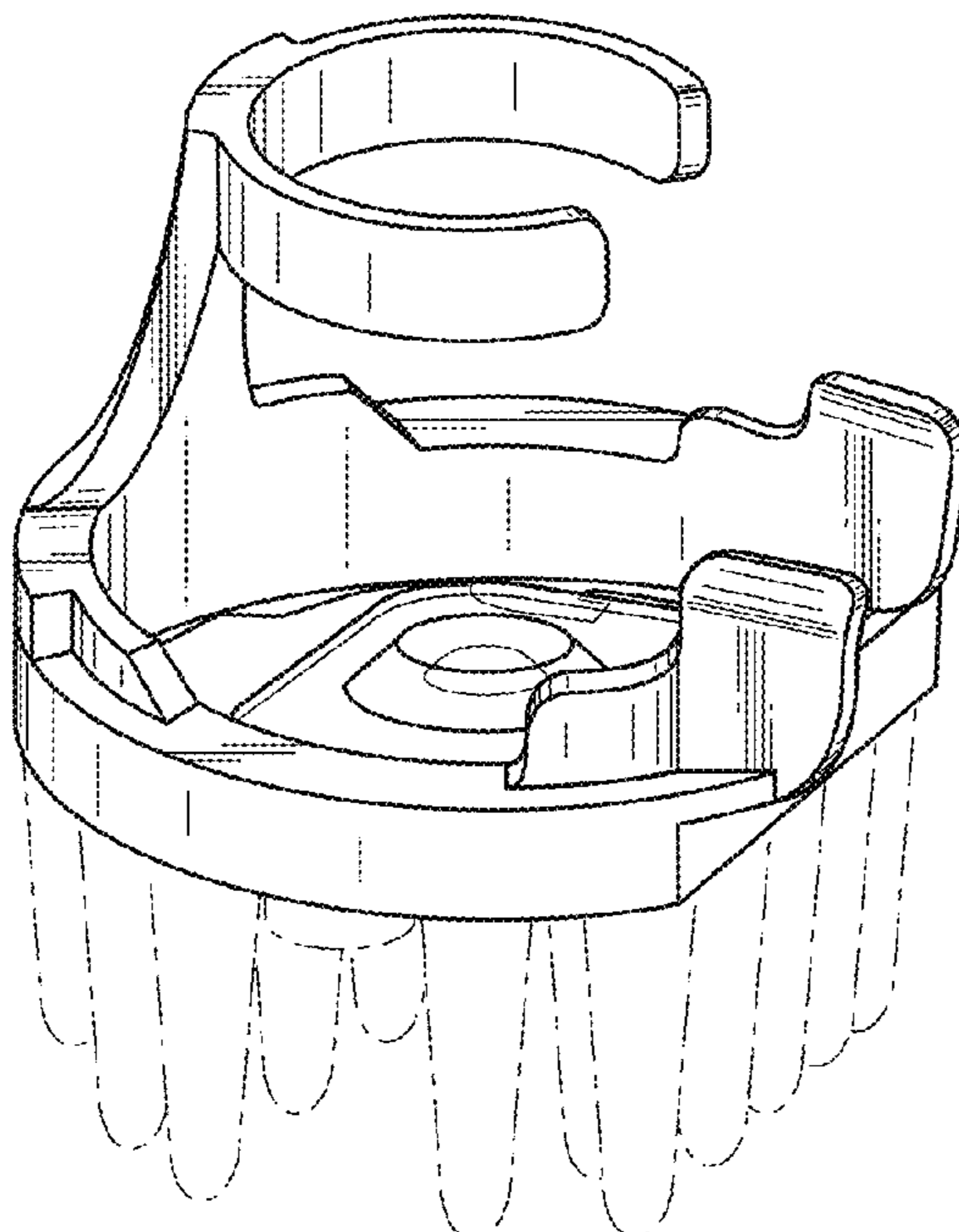
DESCRIPTION

FIG. 1 is a top view of the design for an accent lamp; FIG. 2 is a right side elevational view thereof, the opposite side being the same; FIG. 3 is a front elevational view thereof; FIG. 4 is a rear elevational view thereof; and, FIG. 5 is a perspective view thereof as seen from the top, rear.
The broken line disclosure is for environmental purposes only and does not form a part of the claimed design.

1 Claim, 3 Drawing Sheets

(56) **References Cited**
U.S. PATENT DOCUMENTS

5,696,424 A 12/1997 Coushaine
6,080,019 A 6/2000 Coushaine
6,254,252 B1 7/2001 Coushaine et al.
6,270,235 B1 8/2001 Coushaine
7,417,364 B2 8/2008 Wegman et al.
D592,330 S * 5/2009 Huang D26/28
D595,001 S * 6/2009 Gorczyca D26/28
D601,727 S * 10/2009 Huang D26/28
D605,789 S * 12/2009 Ko D26/28



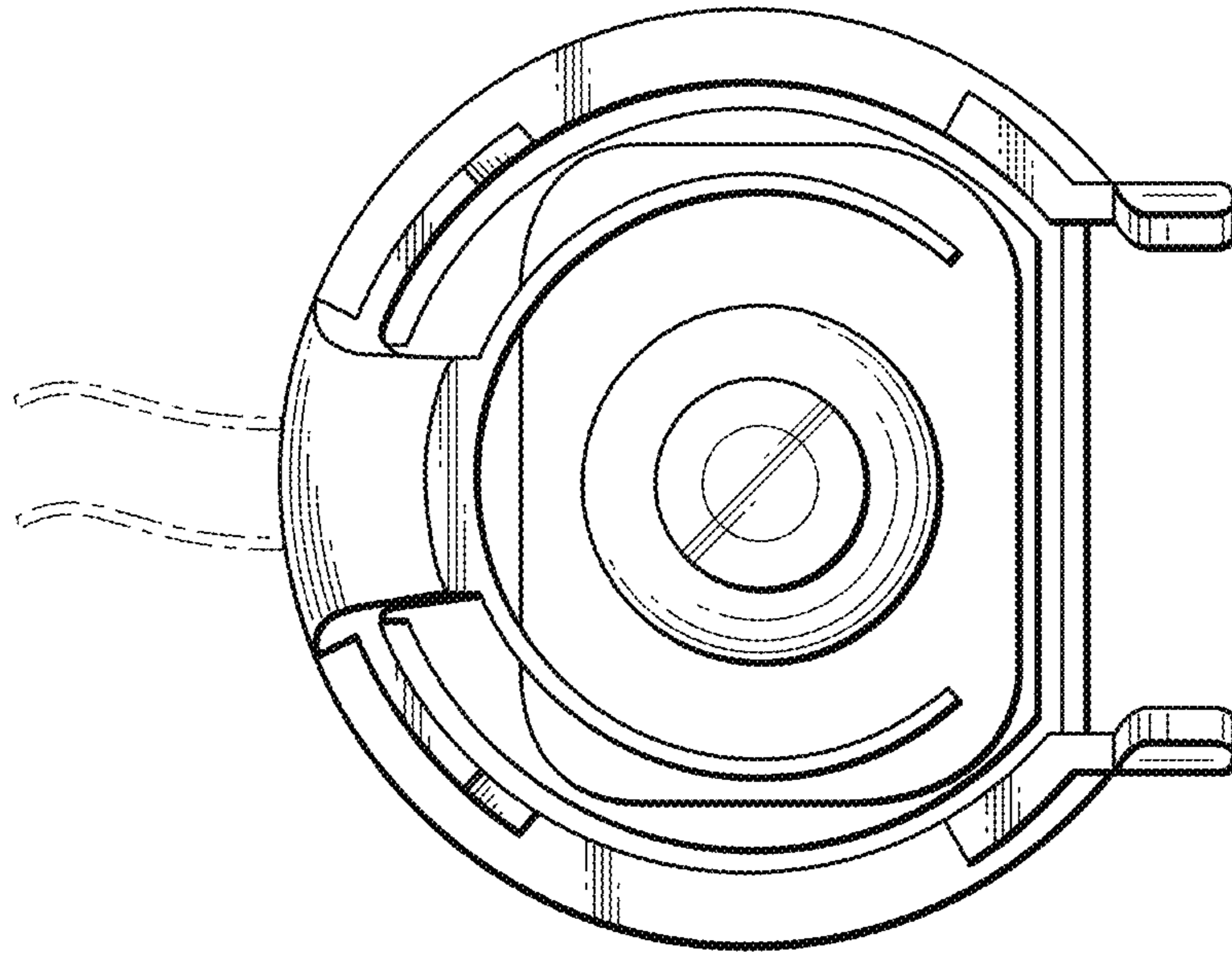


FIG. 1

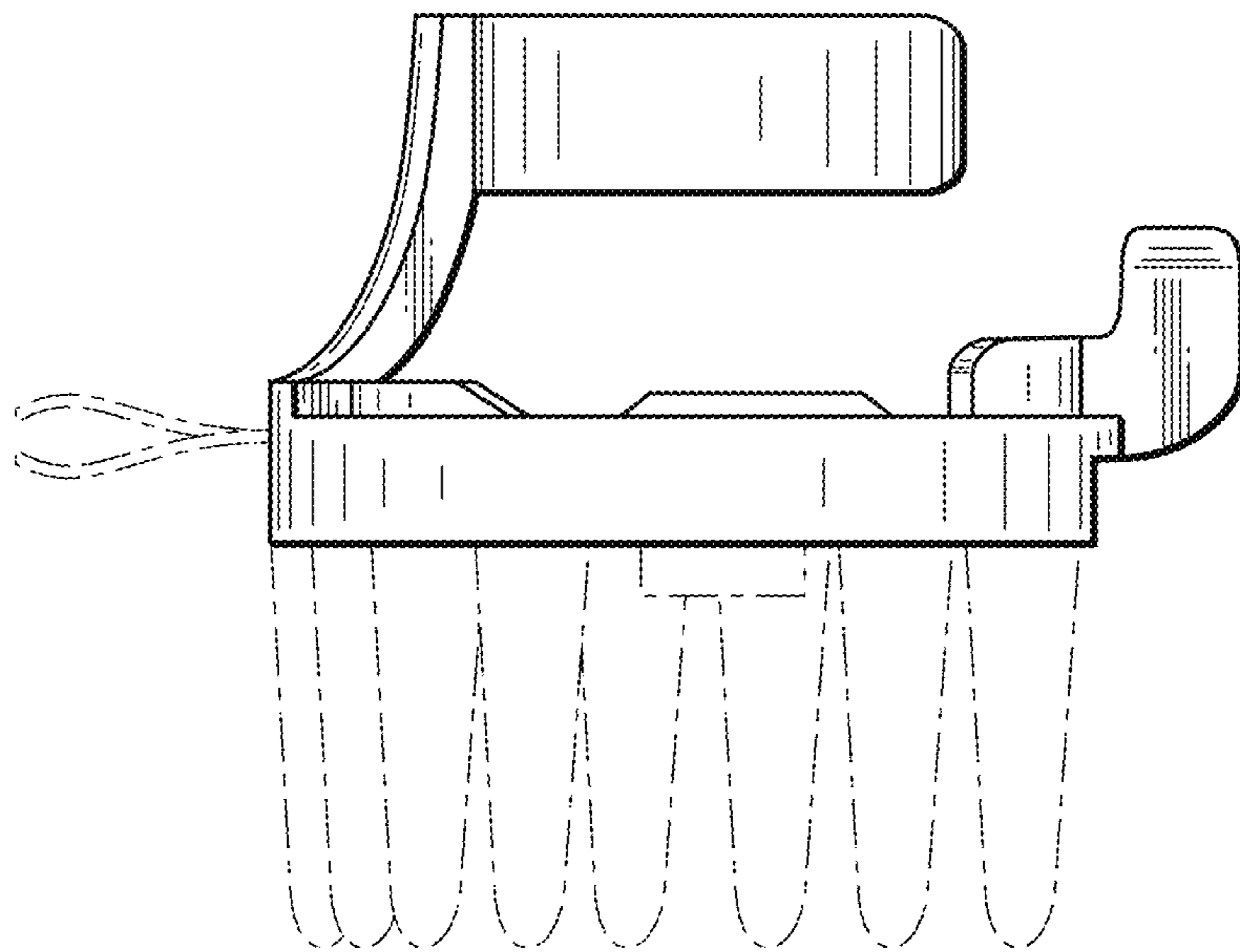


FIG. 2

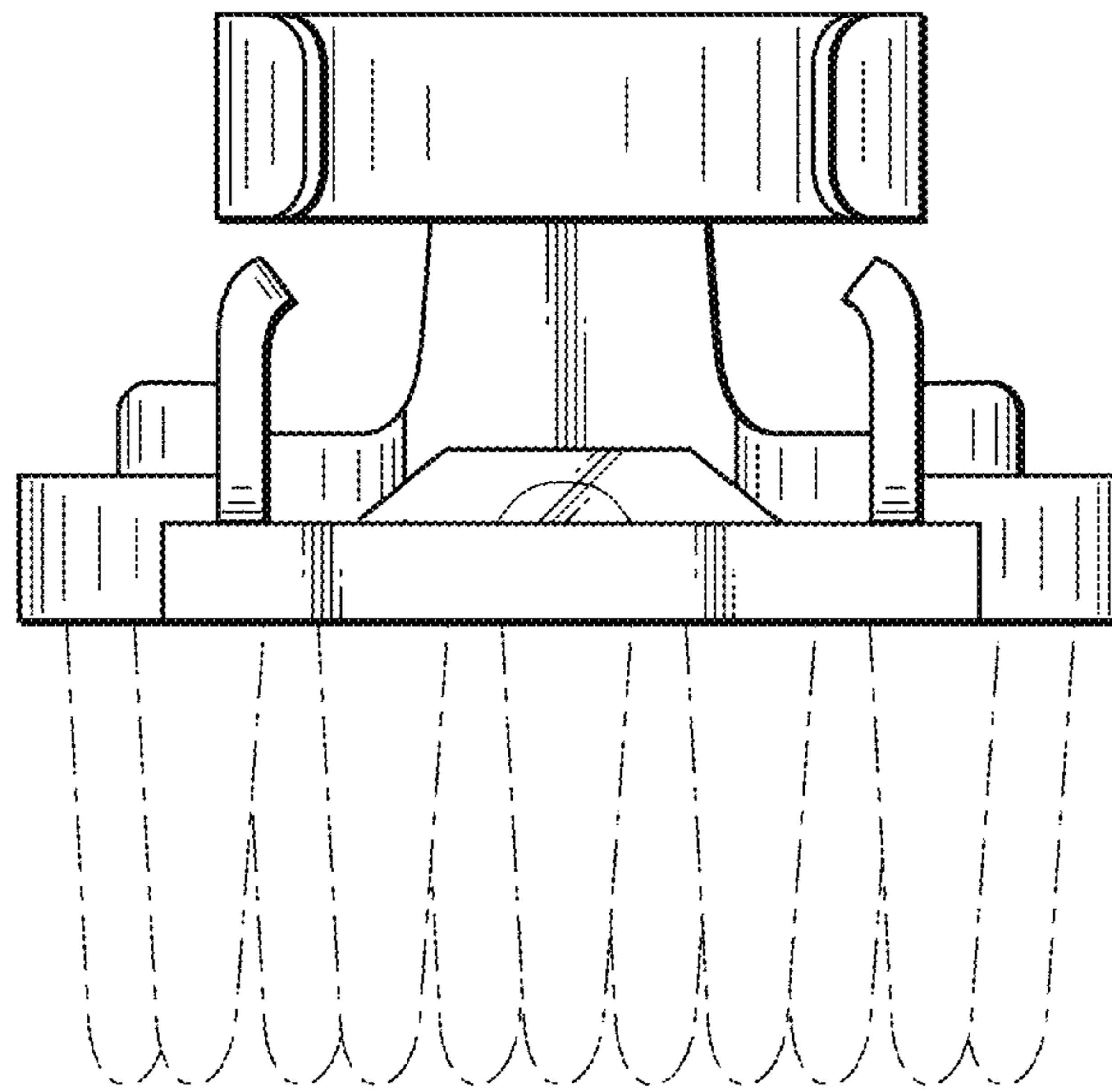


FIG. 3

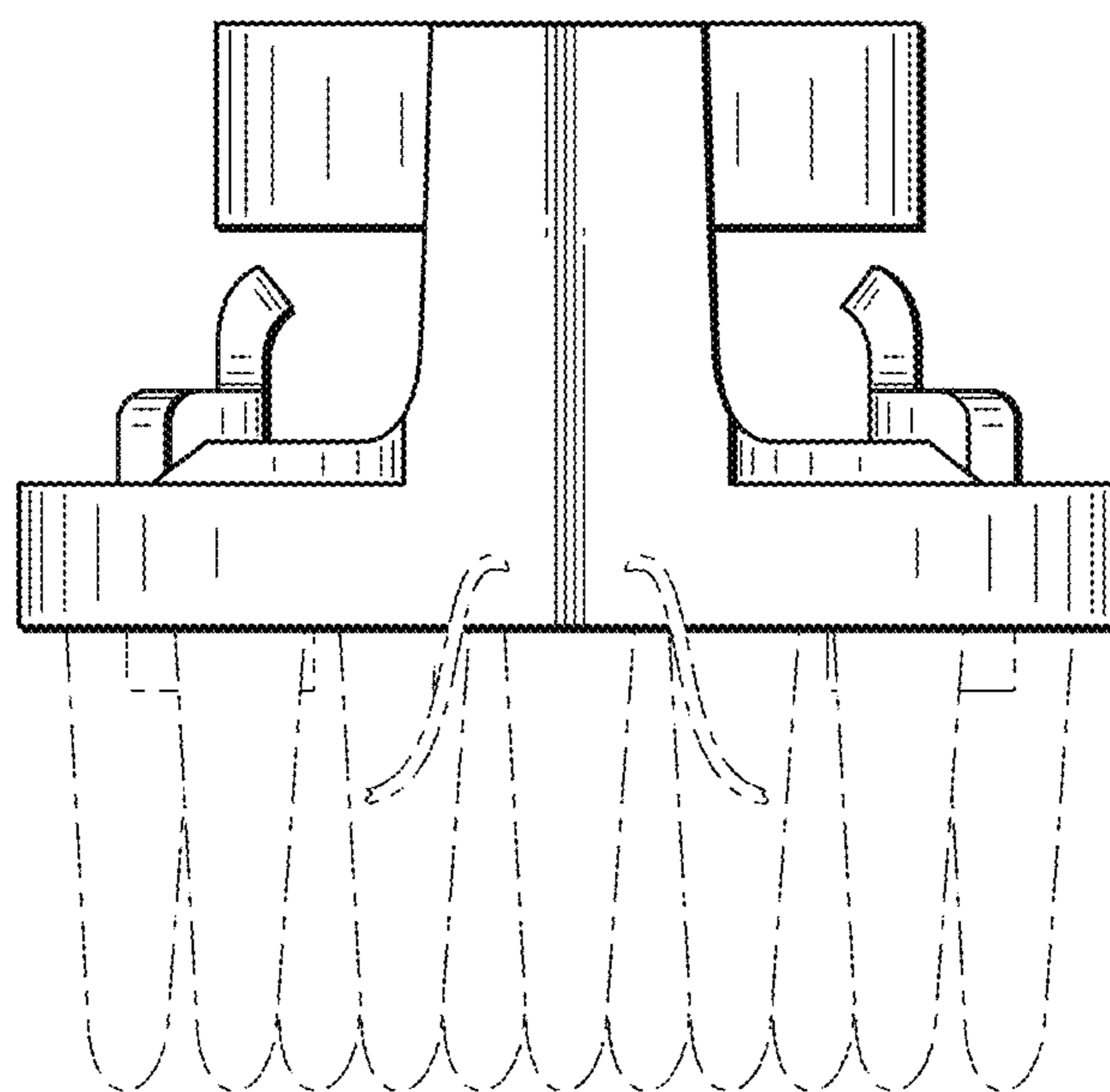


FIG. 4

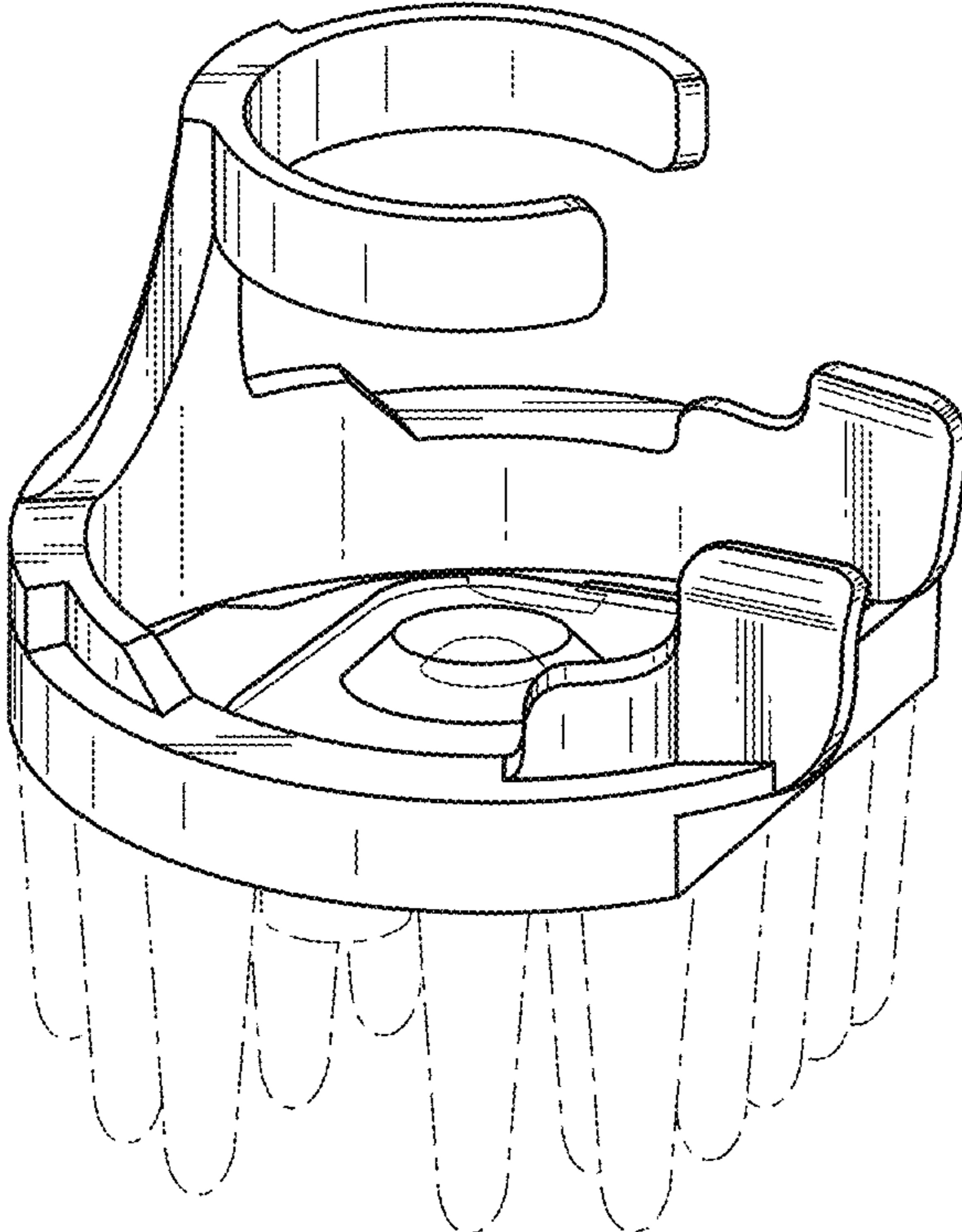


FIG. 5