



US00D779087S

(12) **United States Design Patent** (10) **Patent No.:** **US D779,087 S**
Alexander et al. (45) **Date of Patent:** **** Feb. 14, 2017**

(54) **LIGHT BULB**

(71) Applicant: **Lifi Labs, Inc.**, Richmond, Victoria (AU)

(72) Inventors: **Marc Alexander**, Redwood City, CA (US); **Brian Bienvenu**, Redwood City, CA (US); **John Cameron**, Redwood City, CA (US)

(73) Assignee: **LIFI Labs, Inc.**, San Francisco, CA (US)

(**) Term: **15 Years**

(21) Appl. No.: **29/541,662**

(22) Filed: **Oct. 6, 2015**

(51) **LOC (10) Cl.** **26-04**

(52) **U.S. Cl.**
USPC **D26/2**

(58) **Field of Classification Search**
USPC D26/1-4; 313/313, 315, 316, 317, 318, 313/493; 315/52, 53, 56, 57, 58

(Continued)

(56) **References Cited**

U.S. PATENT DOCUMENTS

D433,167 S * 10/2000 Yim D26/2

D463,584 S * 9/2002 Yim D26/2

(Continued)

Primary Examiner — Marcus Jackson

(74) *Attorney, Agent, or Firm* — Jeffrey Schox; Diana Lin

(57) **CLAIM**

We claim the ornamental design for a light bulb, as shown and described.

DESCRIPTION

FIG. 1 is an isometric view of the top left of a first embodiment of the light bulb.

FIG. 2 is an elevation view of the right side of the first embodiment of the light bulb.

FIG. 3 is a plan view of the top of the first embodiment of the light bulb.

FIG. 4 is a plan view of the bottom of the first embodiment of the light bulb.

FIG. 5 is an isometric view of the bottom right of the first embodiment of the light bulb.

FIG. 6 is an isometric view of the top left of a second embodiment of the light bulb.

FIG. 7 is an elevation view of the right side of the second embodiment of the light bulb.

FIG. 8 is a plan view of the top of the second embodiment of the light bulb.

FIG. 9 is a plan view of the bottom of the second embodiment of the light bulb.

FIG. 10 is an isometric view of the bottom right of the second embodiment of the light bulb.

FIG. 11 is an isometric view of the top left of a third embodiment of the light bulb.

FIG. 12 is an elevation view of the right side of the third embodiment of the light bulb.

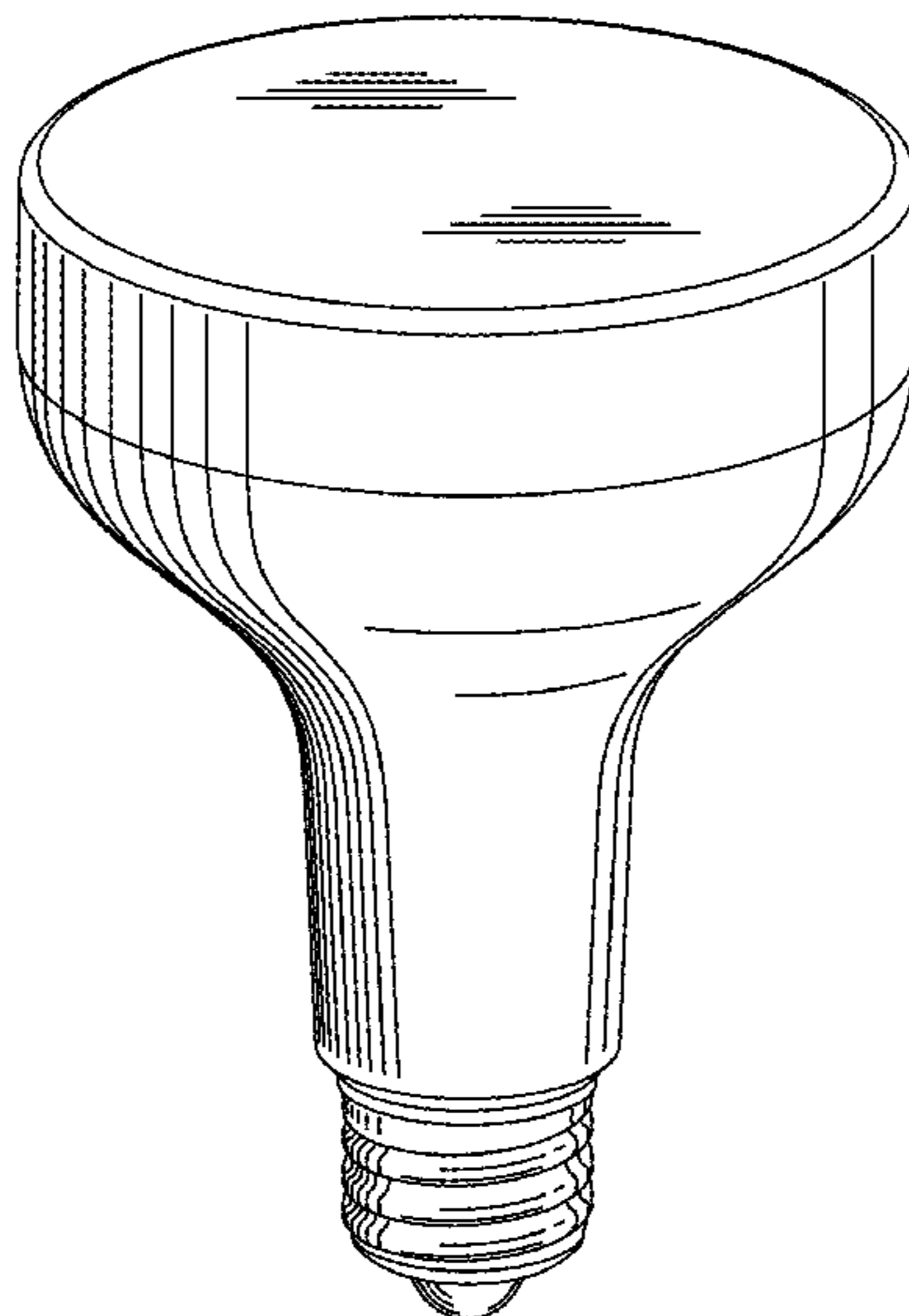
FIG. 13 is a plan view of the top of the third embodiment of the light bulb.

FIG. 14 is a plan view of the bottom of the third embodiment of the light bulb; and,

FIG. 15 is an isometric view of the bottom right of the third embodiment of the light bulb.

The designations of the views below as top, bottom, right side, front, and rear are for ease of discussion only and are not intended to limit the light bulb to one particular orientation. The drawings illustrated in FIGS. 1-15 are not necessarily drawn to the same scale, and any change in scale between different views is not intended to limit the light bulb to a particular size. The light bulb is radially symmetric, so only one elevation side view is shown.

1 Claim, 12 Drawing Sheets



(58) **Field of Classification Search**

CPC H01R 5/00; H01R 13/46; H01R 13/514;
H01R 31/048; H01R 31/02; H01J 5/00;
H01J 5/16; H01J 1/02; H01J 15/00; H01J
5/48; H01J 5/50; H01J 19/54; F21V 5/00

See application file for complete search history.

(56) **References Cited**

U.S. PATENT DOCUMENTS

D535,038	S	*	1/2007	Egawa	D26/2
D601,278	S	*	9/2009	Takahashi	D26/2
D616,120	S	*	5/2010	Wada	D26/2
D646,809	S	*	10/2011	Shi	D26/2
D688,395	S	*	8/2013	Bukkems	D26/2

* cited by examiner

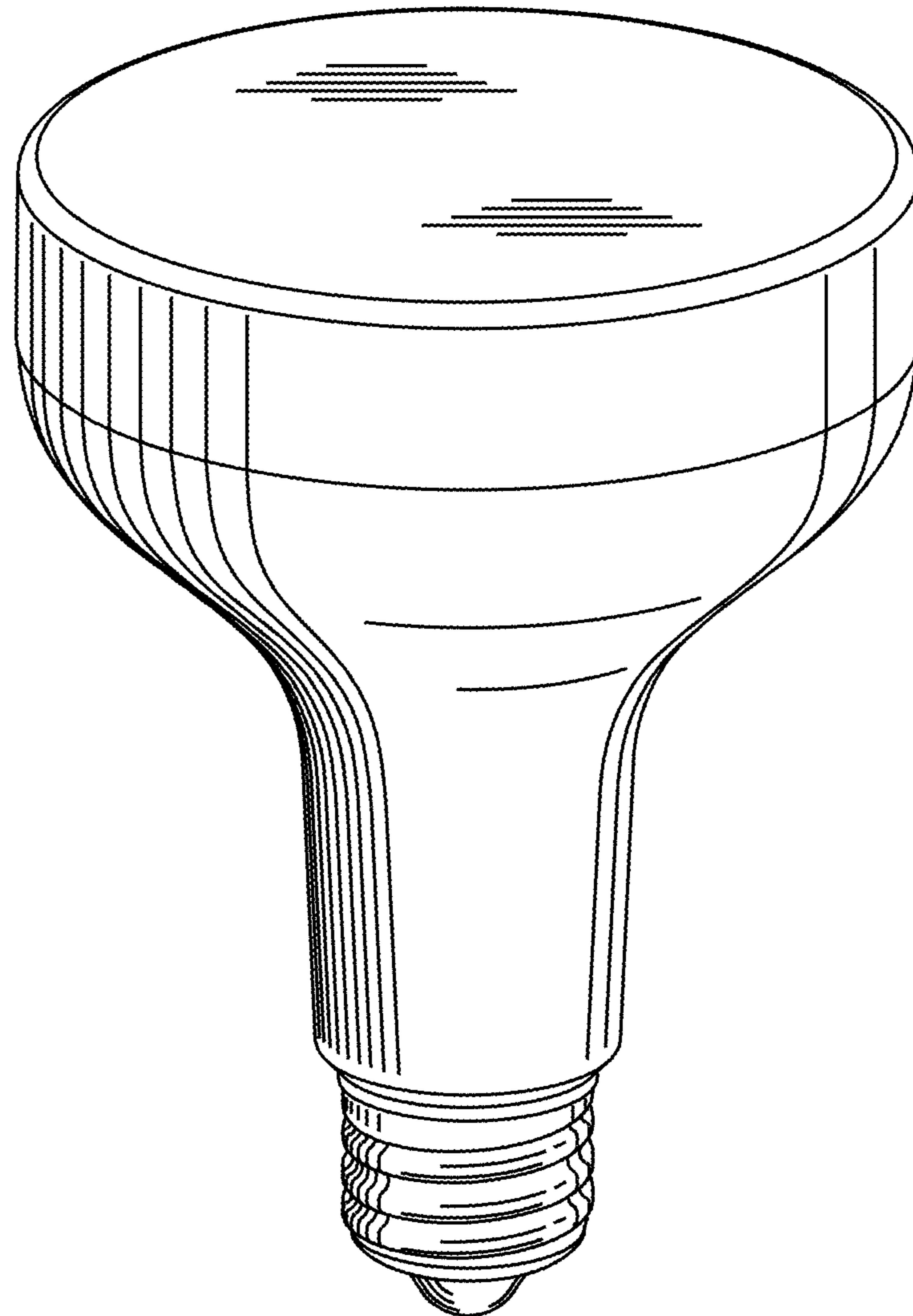


FIGURE 1

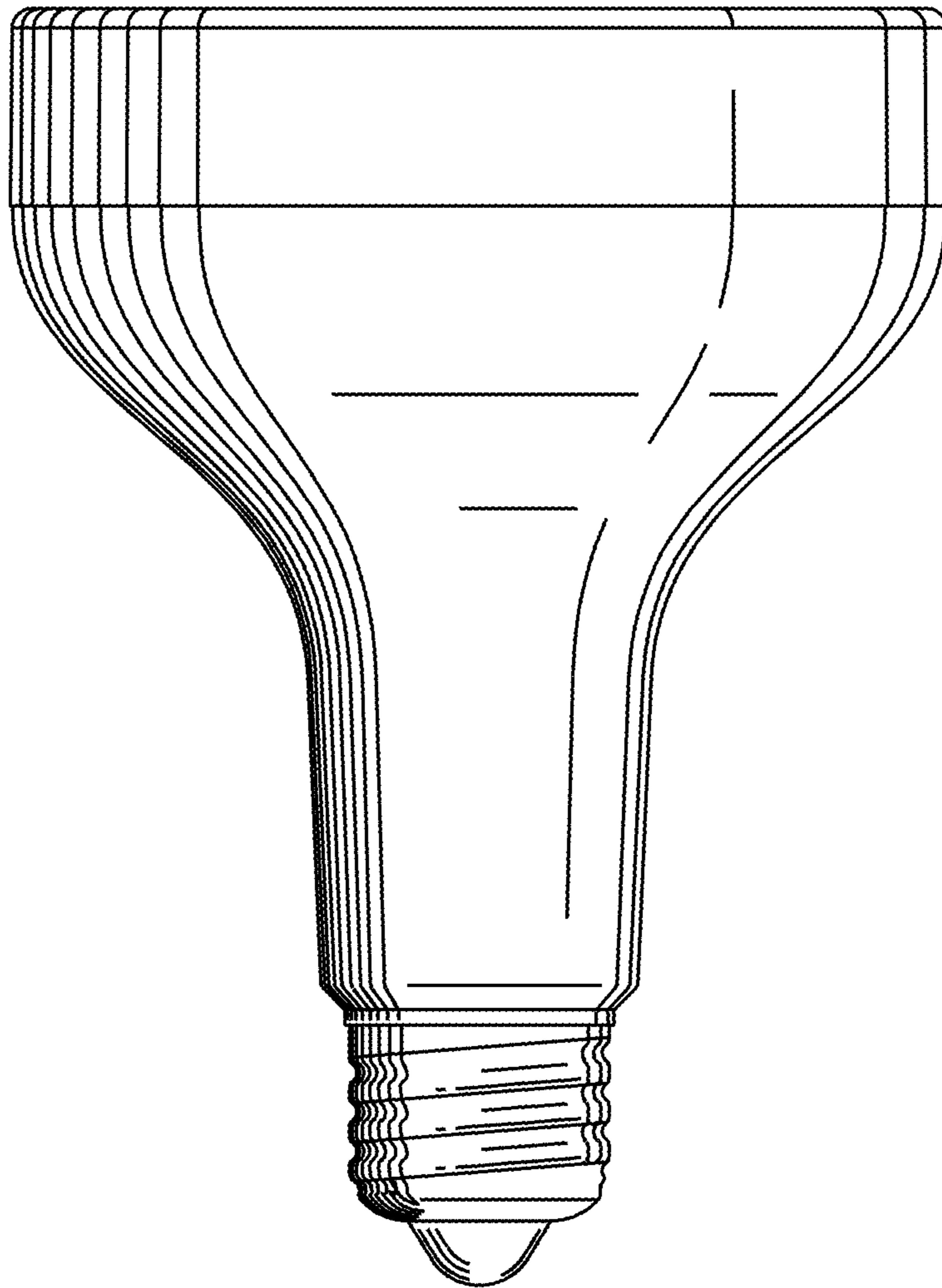


FIGURE 2

FIGURE 3

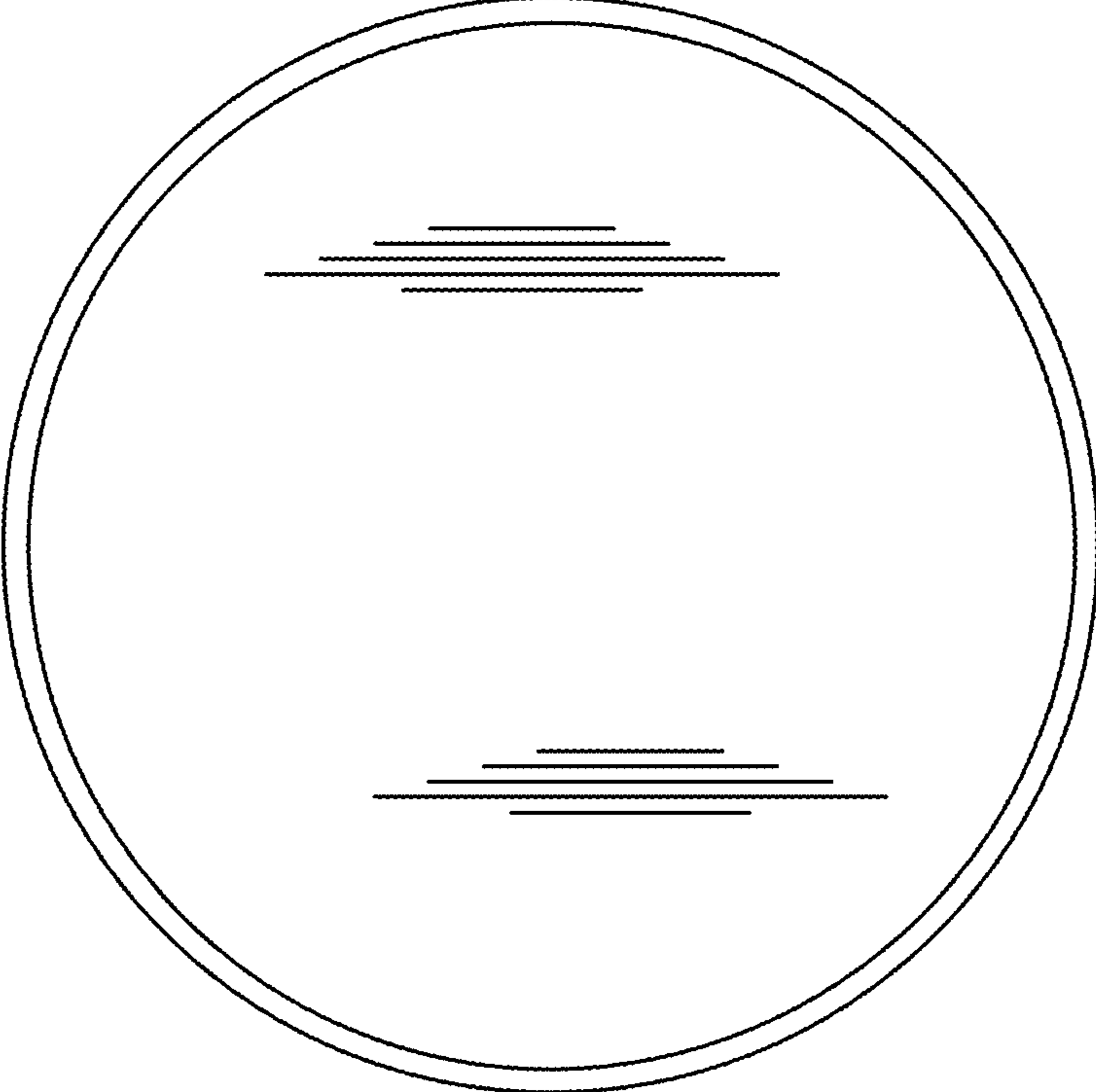
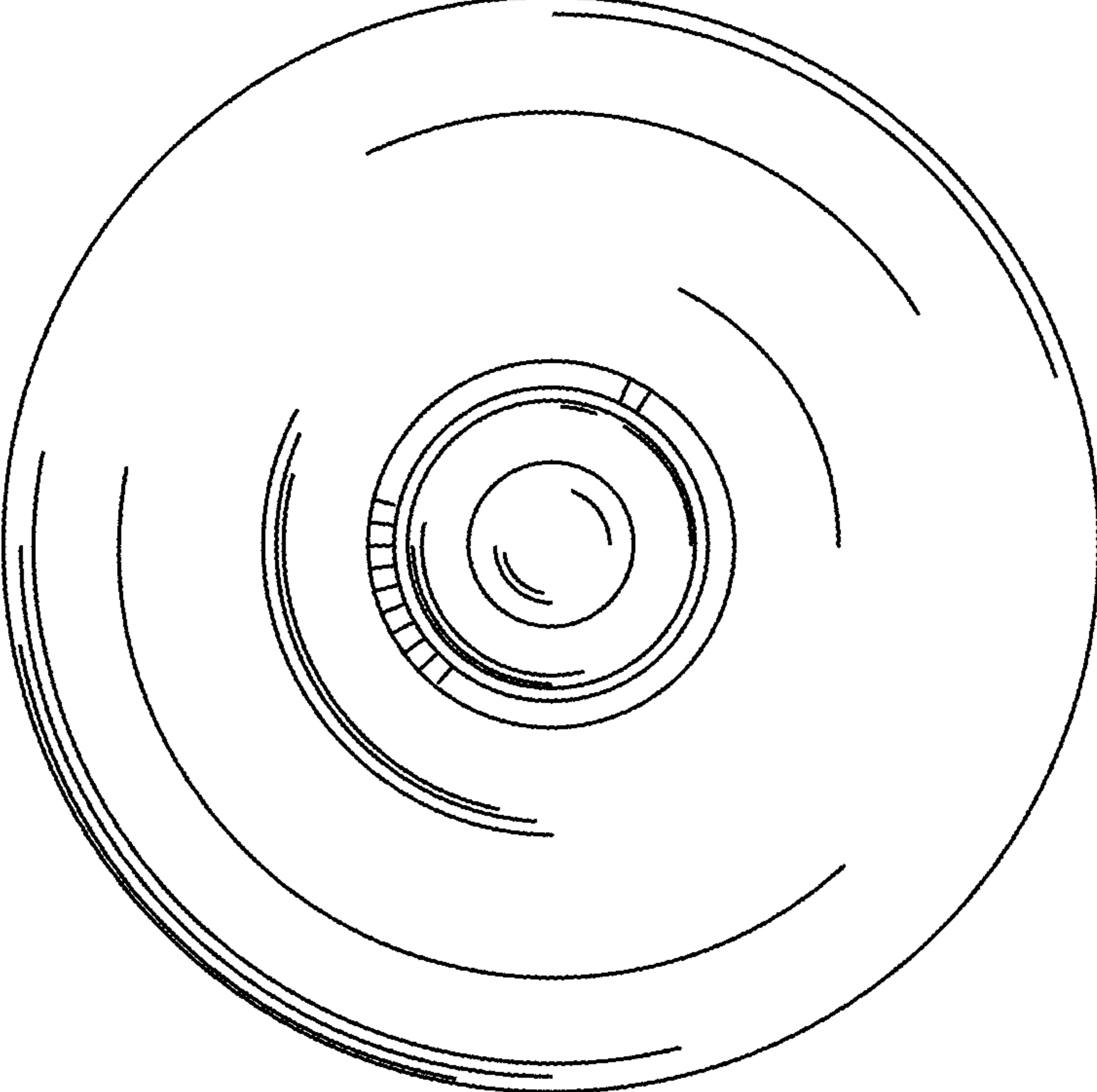


FIGURE 4



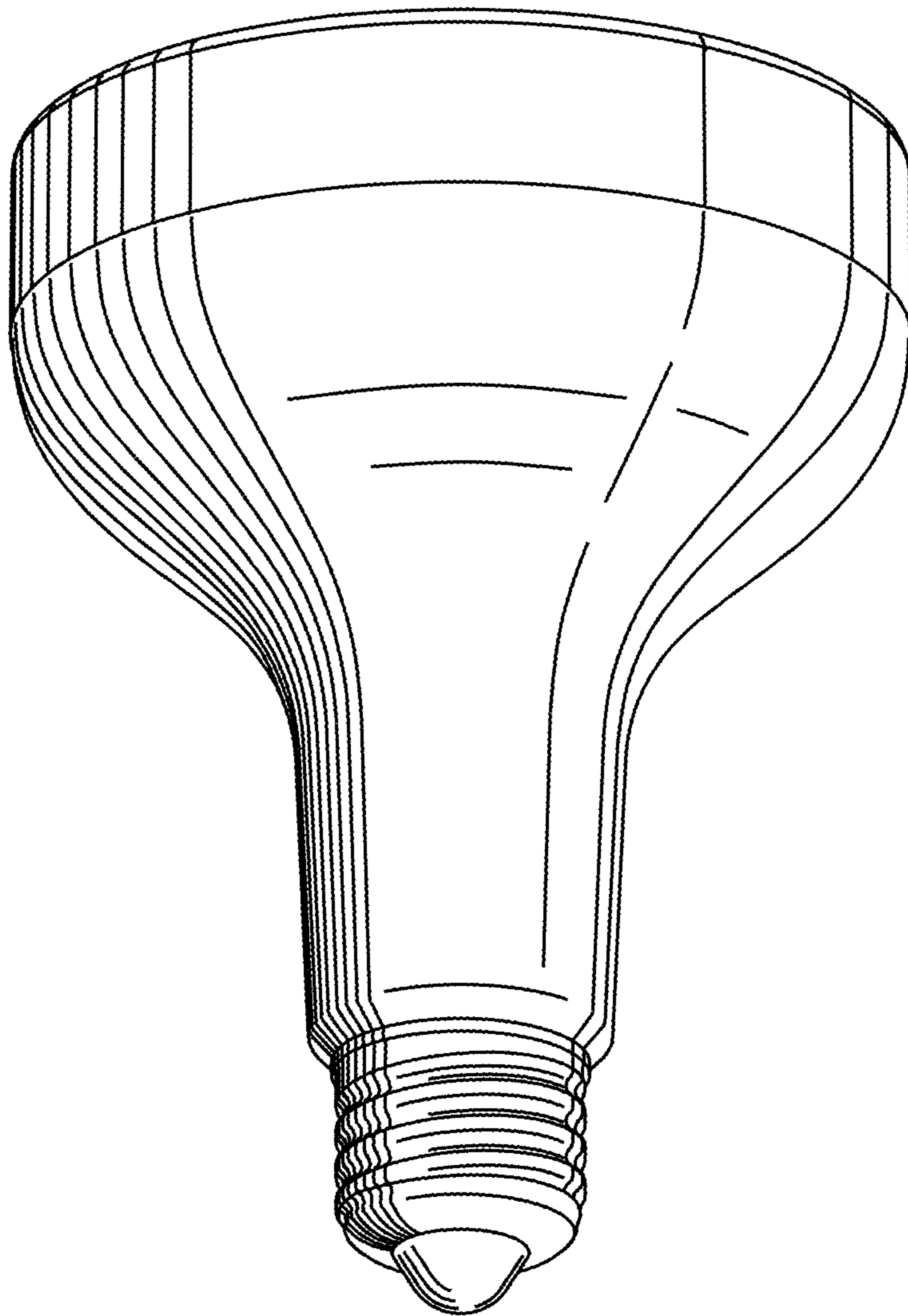


FIGURE 5

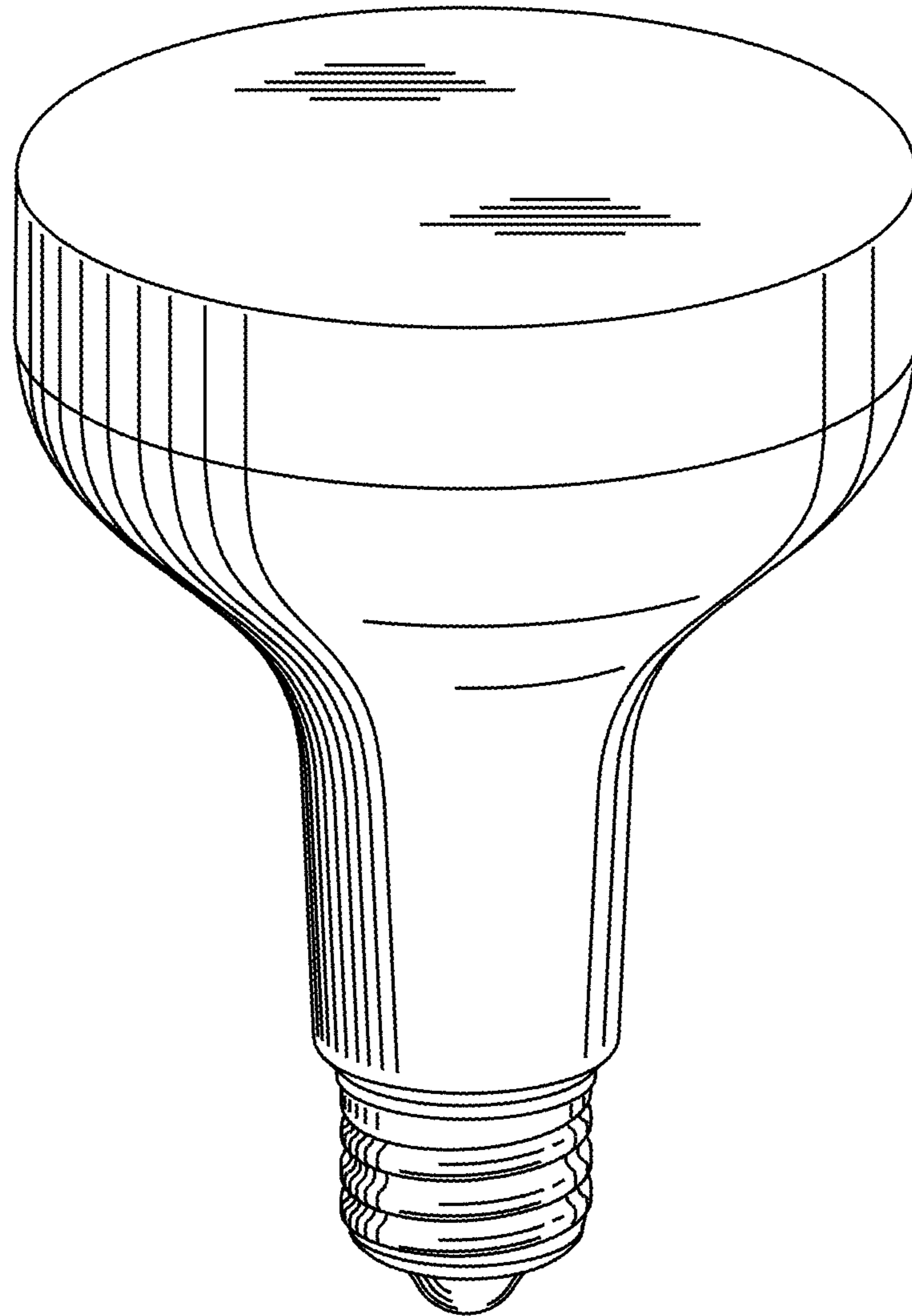


FIGURE 6

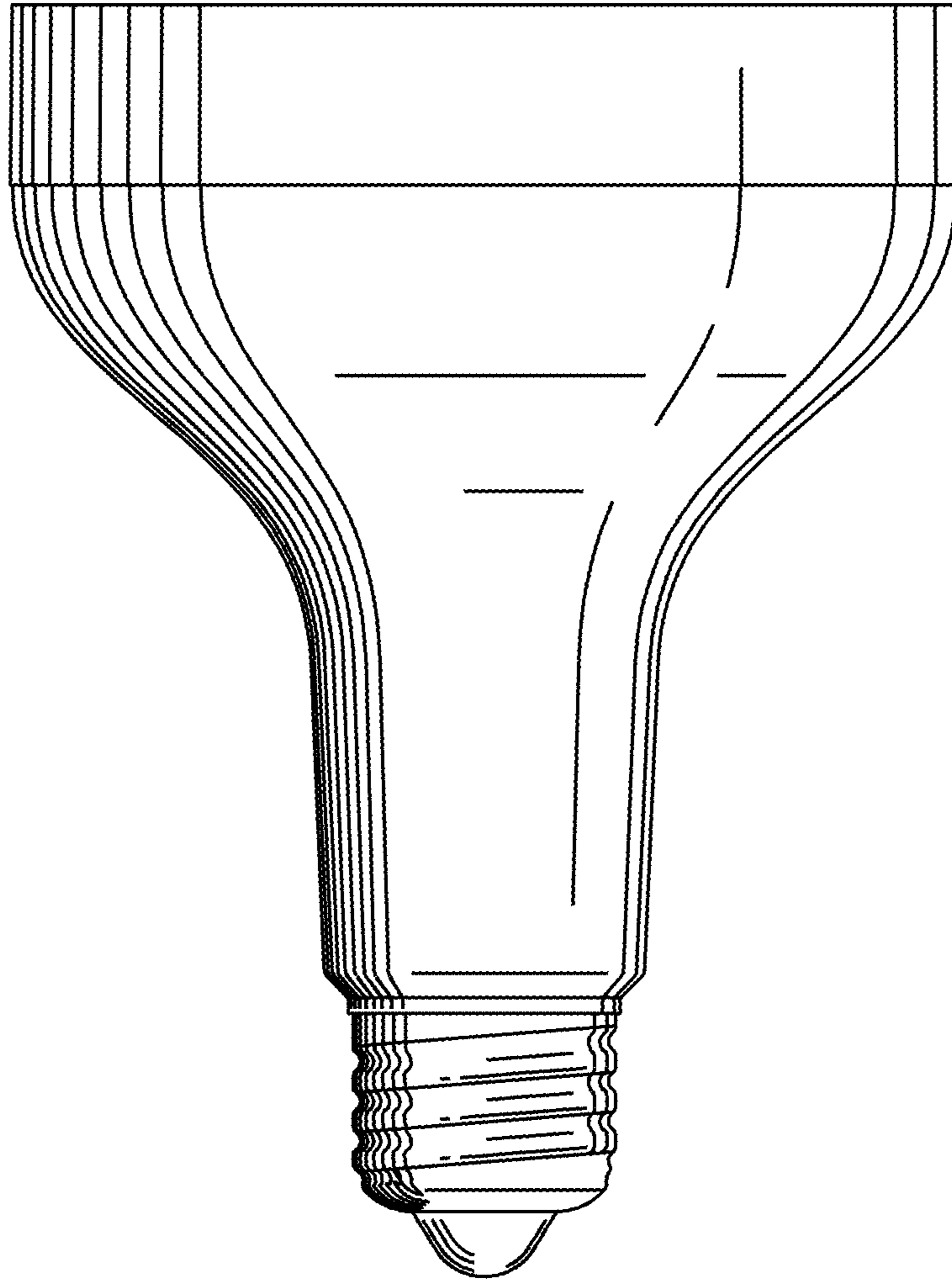


FIGURE 7

FIGURE 8

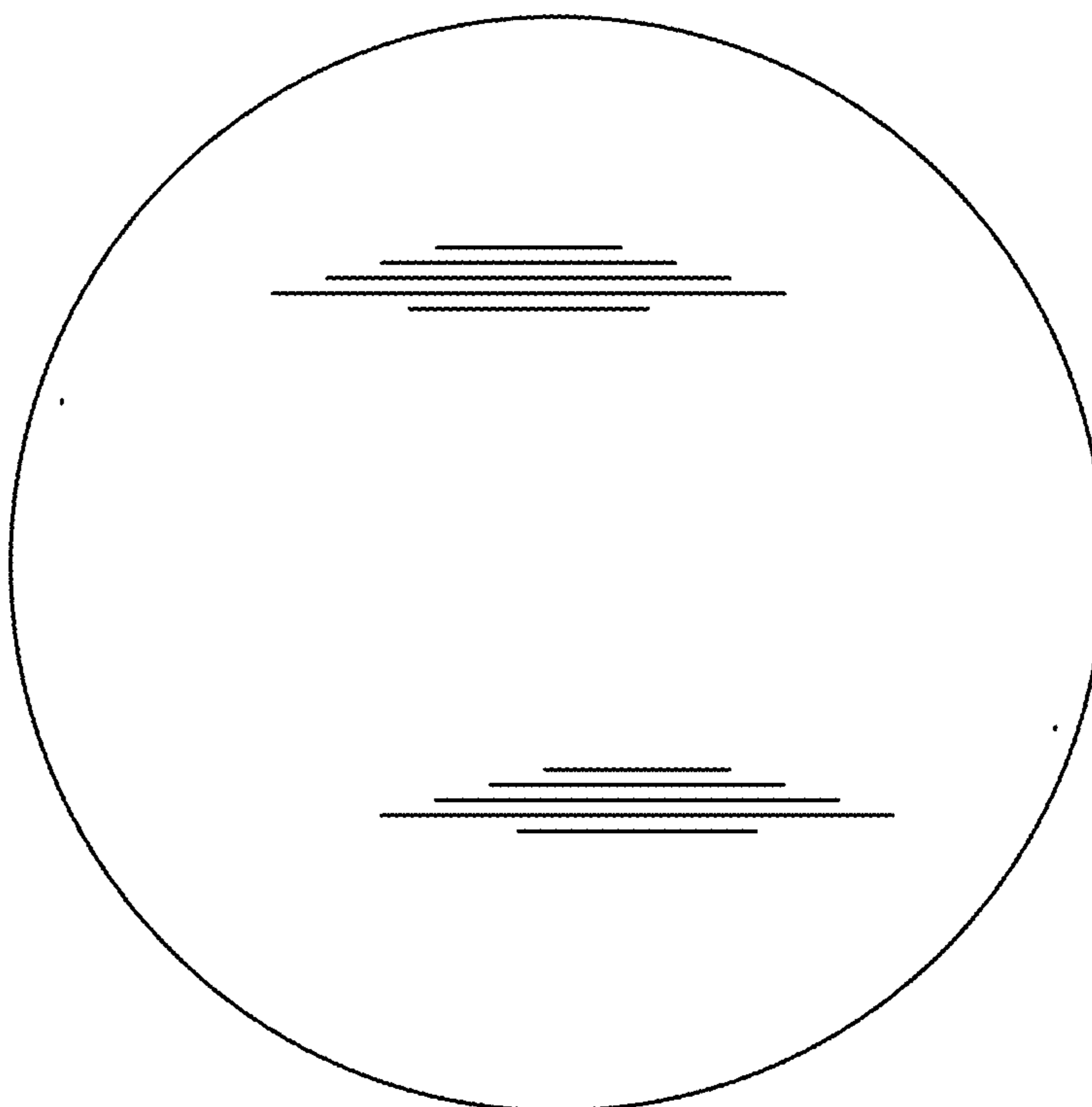
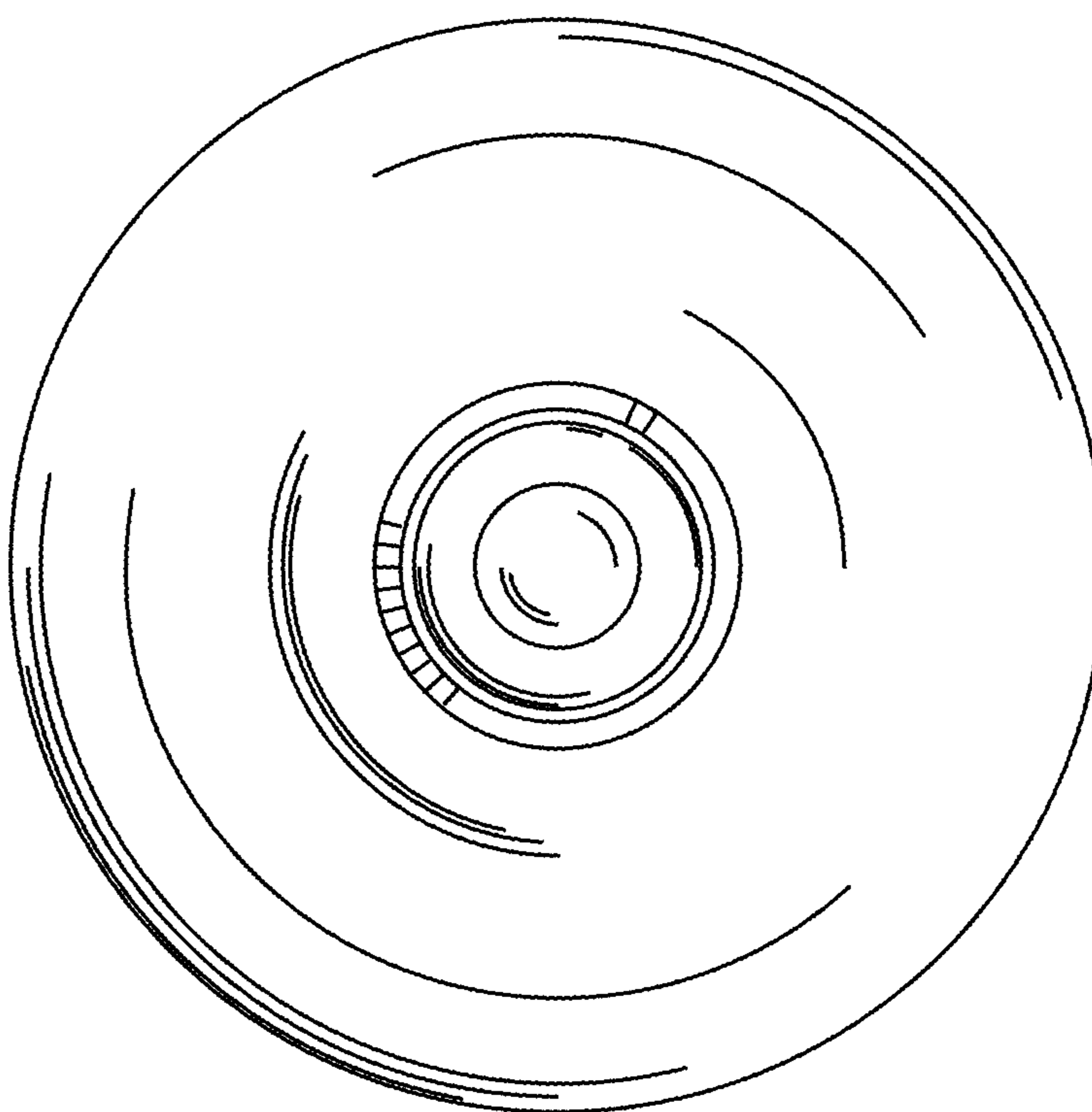


FIGURE 9



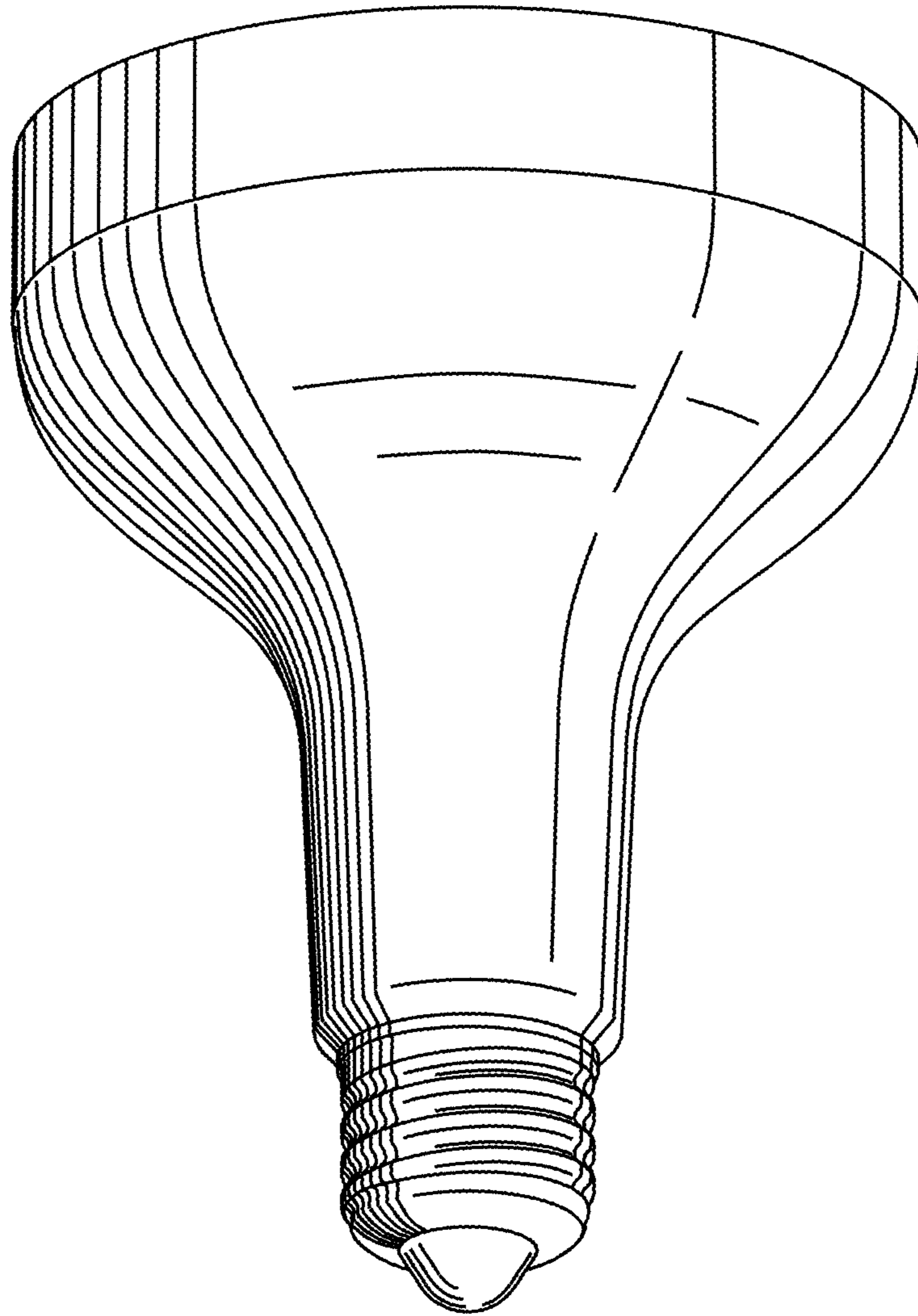


FIGURE 10

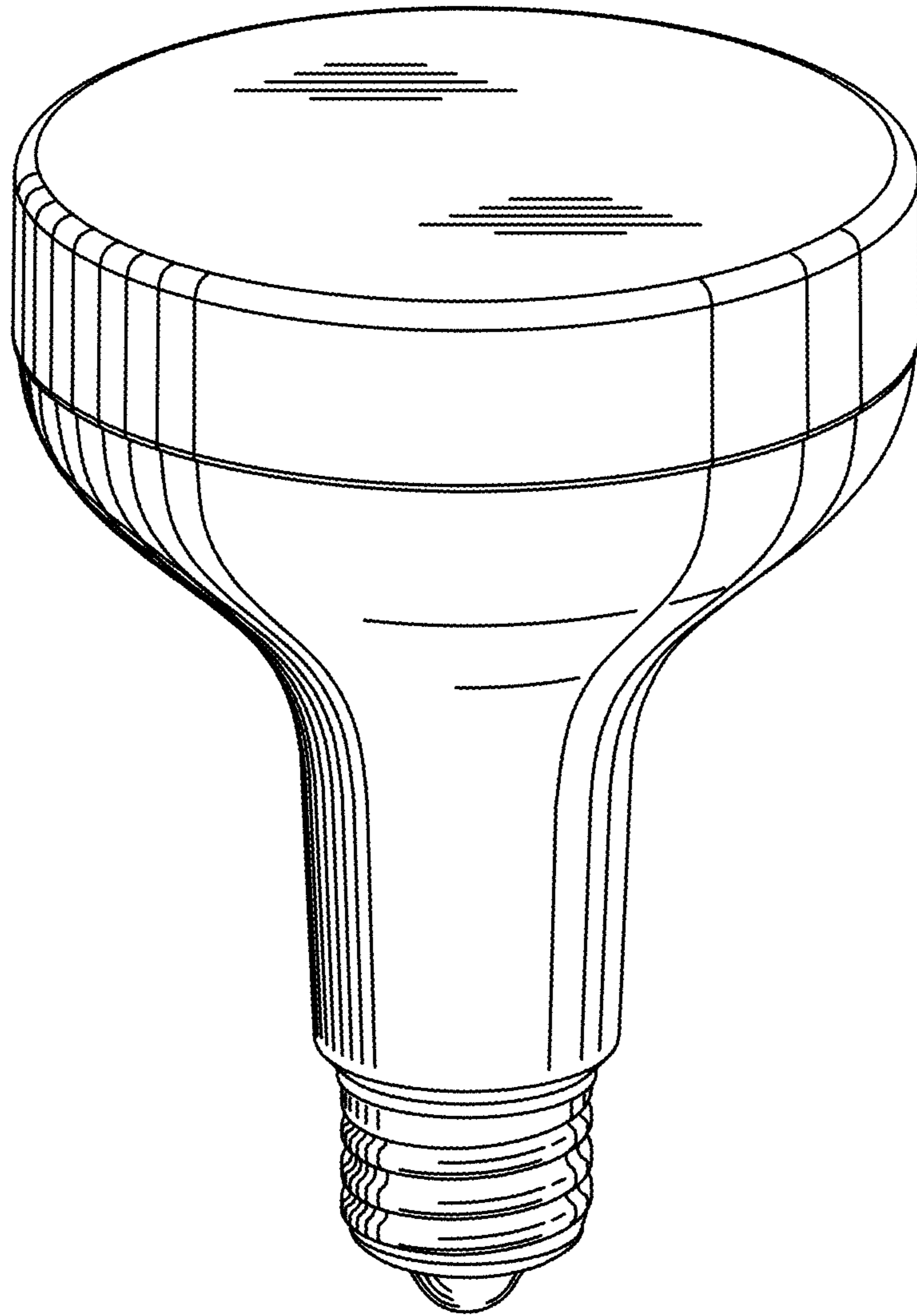


FIGURE 11

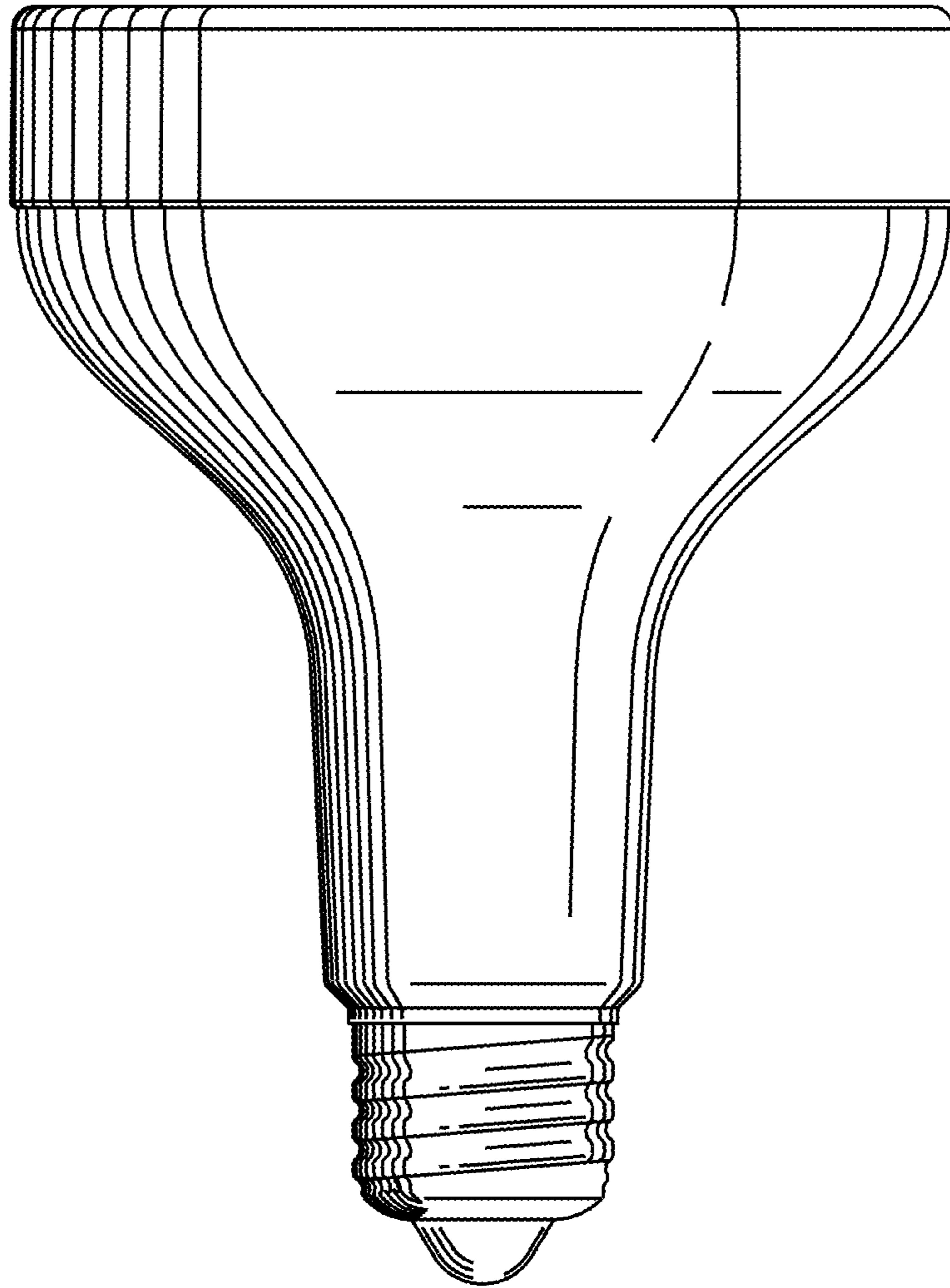


FIGURE 12

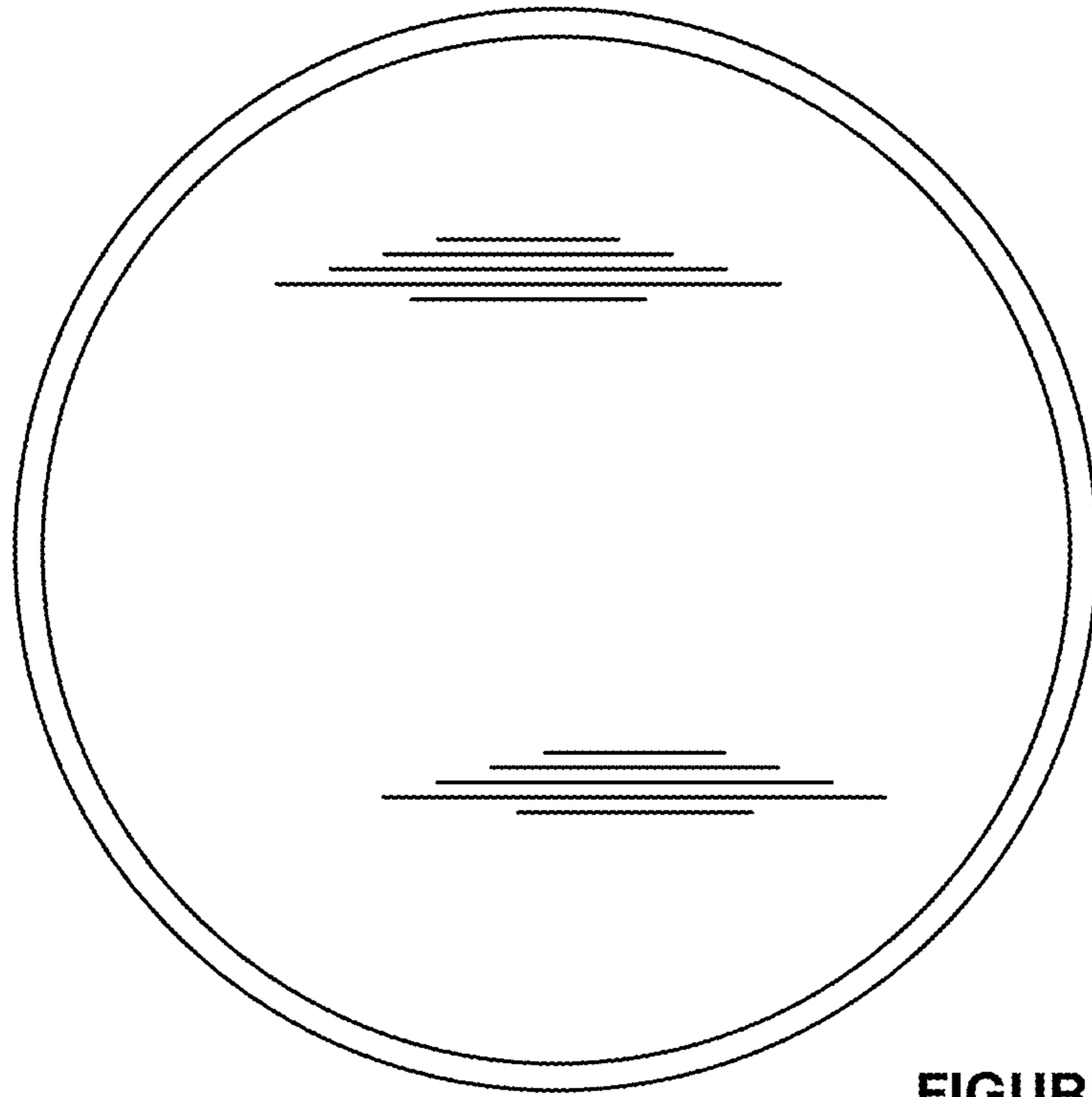


FIGURE 13

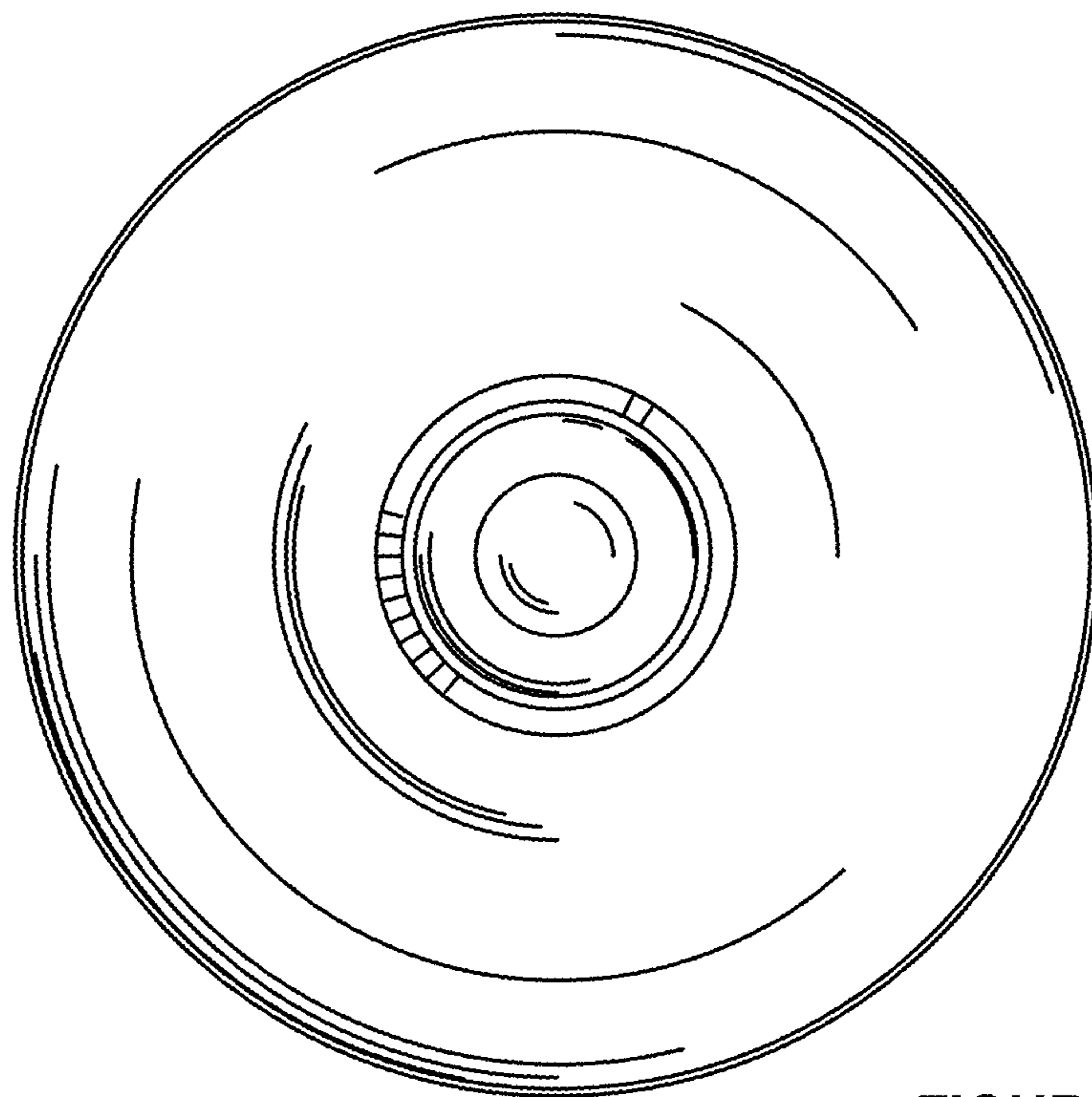


FIGURE 14

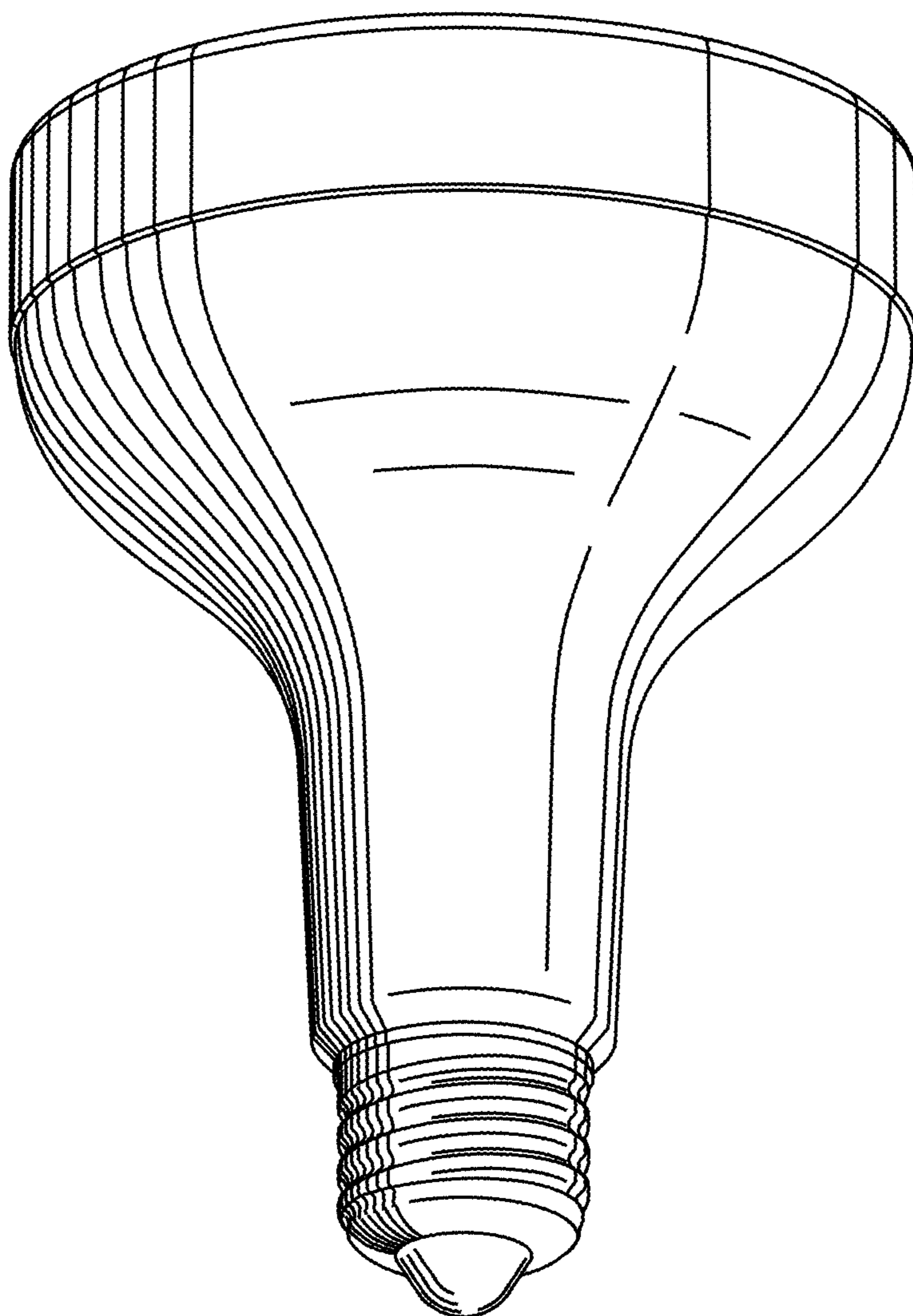


FIGURE 15