



US00D779086S

(12) **United States Design Patent**
Bosua

(10) **Patent No.:** **US D779,086 S**

(45) **Date of Patent:** **** Feb. 14, 2017**

(54) **DIFFUSER FOR A LED LIGHT BULB**

(71) Applicant: **Lifi Labs, Inc.**, Richmond, Victoria (AU)

(72) Inventor: **Phillip Bosua**, Redwood City, CA (US)

(73) Assignee: **LIFI Labs, Inc.**, San Francisco, CA (US)

(**) Term: **15 Years**

(21) Appl. No.: **29/540,900**

(22) Filed: **Sep. 29, 2015**

Related U.S. Application Data

(63) Continuation of application No. 29/517,793, filed on Feb. 17, 2015, now Pat. No. Des. 743,586, which is a continuation of application No. 29/464,161, filed on Aug. 13, 2013, now Pat. No. Des. 722,709.

(30) **Foreign Application Priority Data**

Feb. 14, 2013 (AU) 107302013

(51) **LOC (10) Cl.** **26-04**

(52) **U.S. Cl.**
USPC **D26/2**

(58) **Field of Classification Search**
USPC D26/1-4; 313/313, 315, 316, 317, 318, 313/493; 315/52, 532, 56, 57, 58
CPC H01R 5/00; H01R 13/46; H01R 13/514; H01R 31/048; H01R 31/02; H01J 5/00; H01J 5/16; H01J 5/48; H01J 5/50; H01J 19/54; F21V 5/00

See application file for complete search history.

(56) **References Cited**

U.S. PATENT DOCUMENTS

D553,267 S	*	10/2007	Yuen	D26/2
D590,523 S	*	4/2009	Takahashi	D26/2
D600,368 S	*	9/2009	Bertram	D26/2
D605,786 S	*	12/2009	Lim	D26/2
D623,774 S	*	9/2010	Tsai	D26/2

* cited by examiner

Primary Examiner — Marcus Jackson

(74) *Attorney, Agent, or Firm* — Jeffrey Schox; Diana Lin

(57) **CLAIM**

The ornamental design for a diffuser for a LED light bulb, as shown and described.

DESCRIPTION

FIG. 1 is a side perspective view of a diffuser for a LED light bulb showing the new design.

FIG. 2 is a side view thereof.

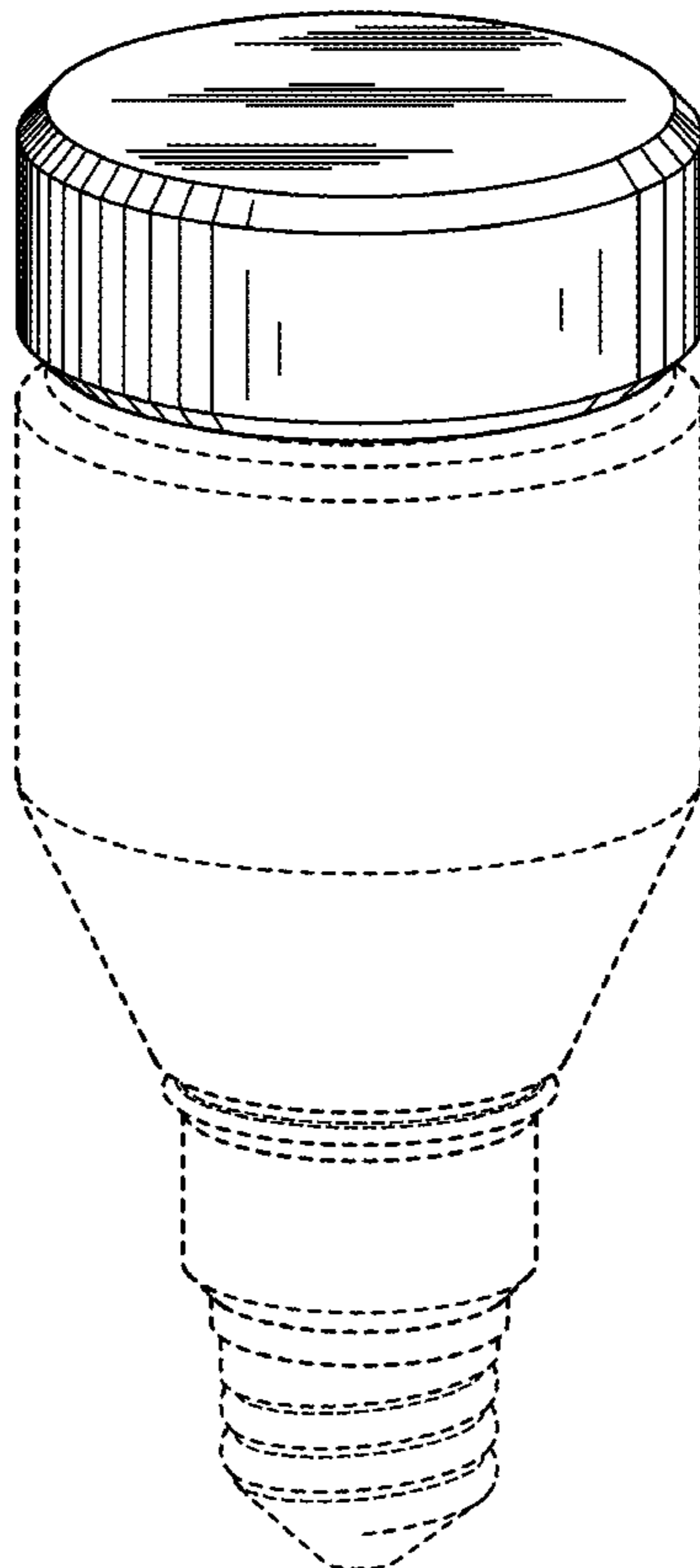
FIG. 3 is a top view thereof.

FIG. 4 is a bottom view thereof; and,

FIG. 5 is a bottom perspective view thereof.

The surface lines, broken lines, and graphics are not part of the claimed design.

1 Claim, 4 Drawing Sheets



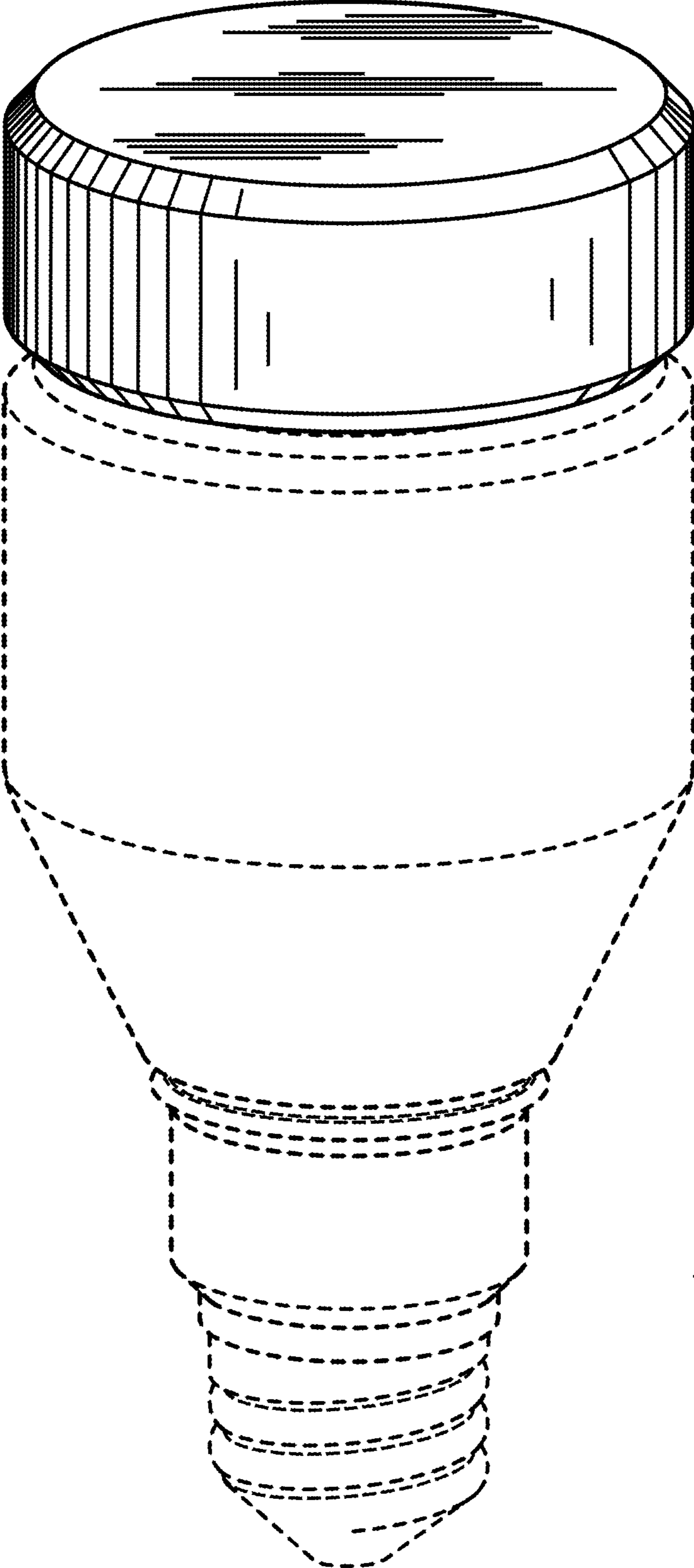


FIGURE 1

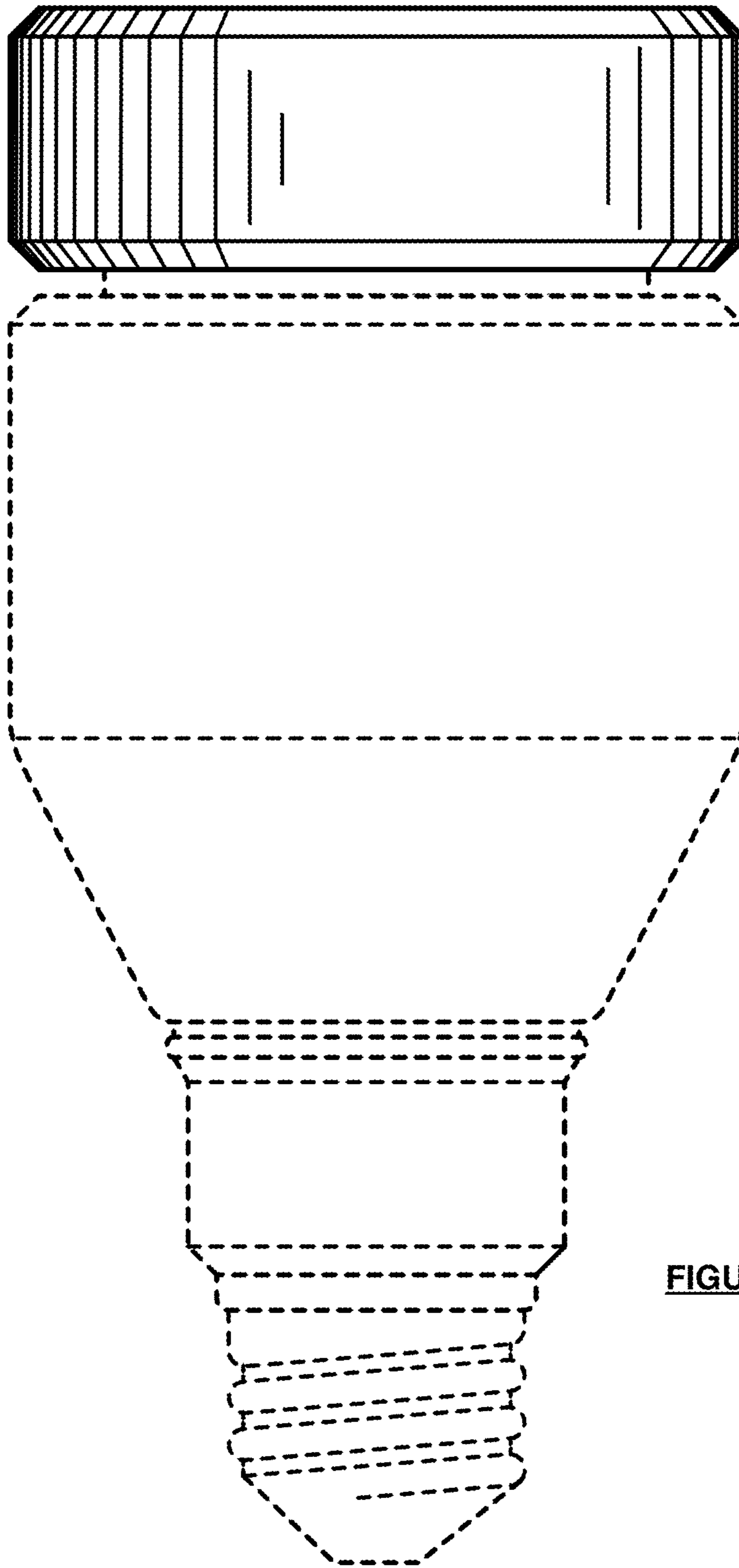


FIGURE 2

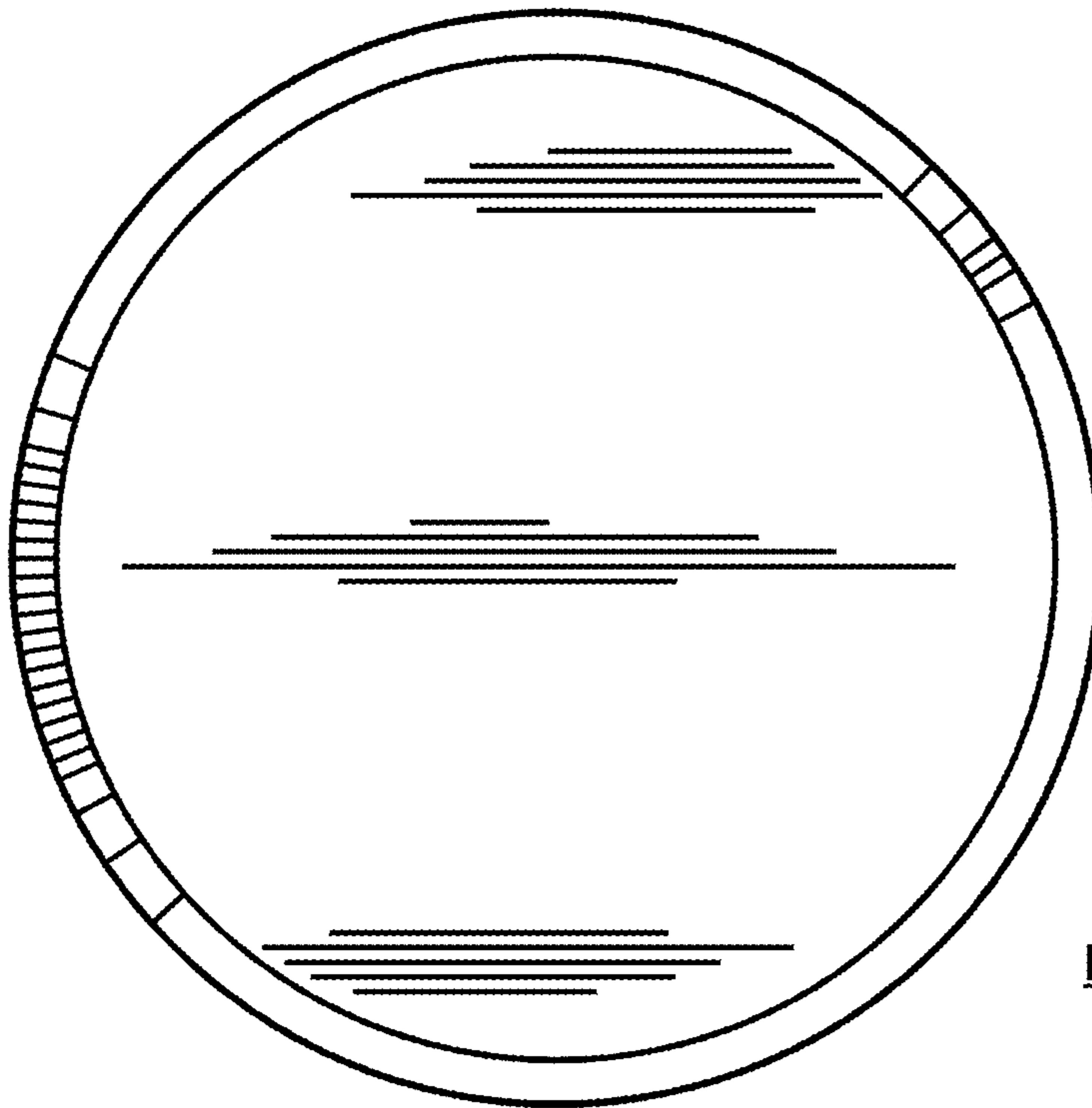


FIGURE 3

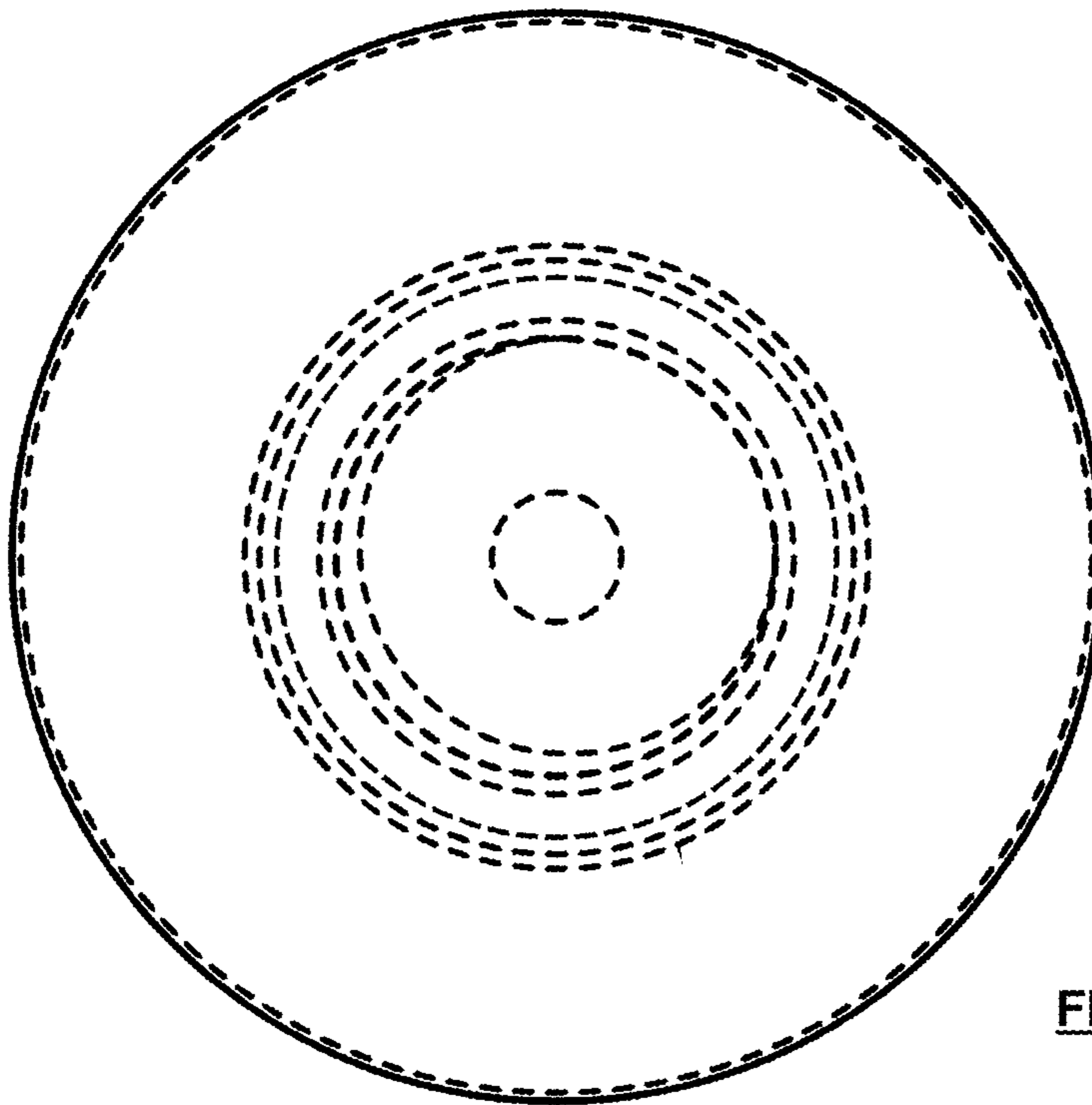


FIGURE 4

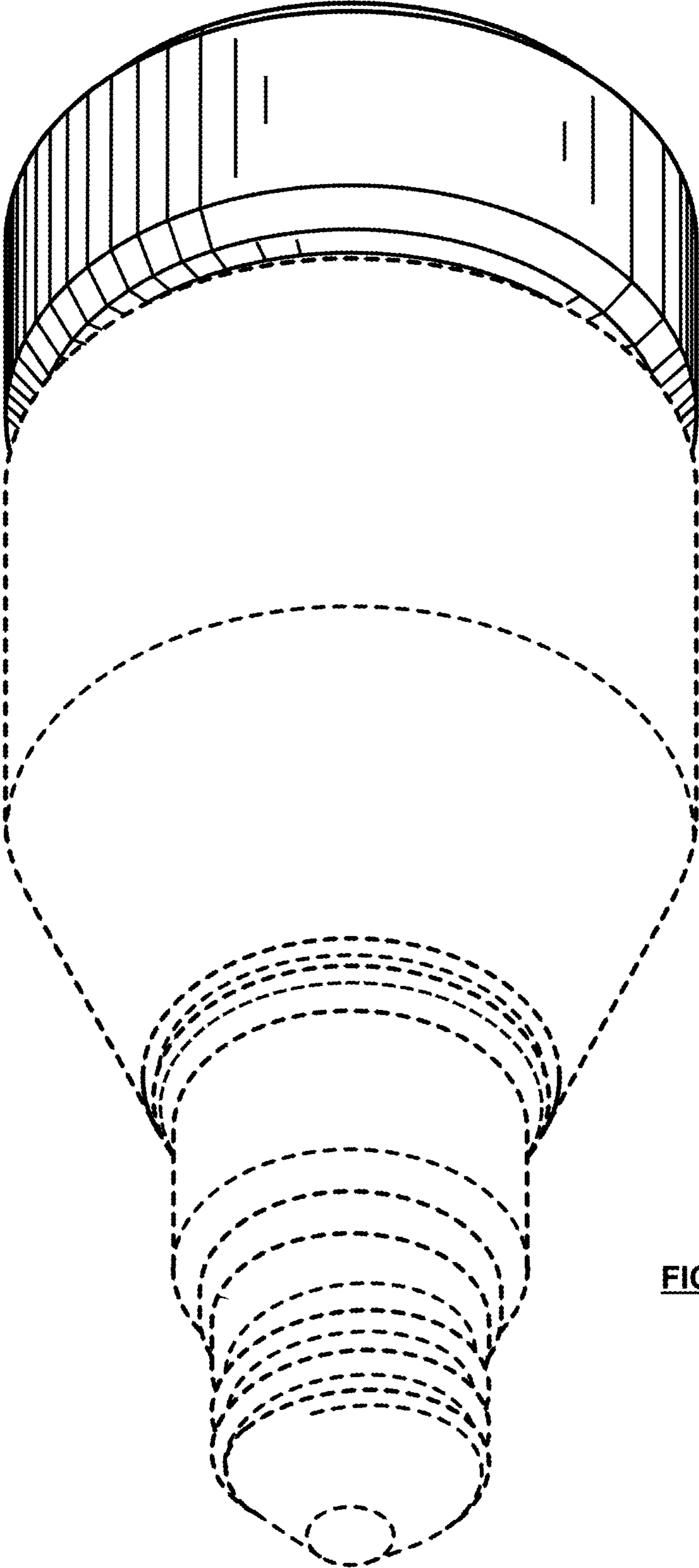


FIGURE 5