



US00D779081S

(12) **United States Design Patent**
McHale

(10) **Patent No.:** **US D779,081 S**
(45) **Date of Patent:** **** Feb. 14, 2017**

- (54) **SAMPLE CONTAINER**
- (71) Applicant: **Theranos, Inc.**, Palo Alto, CA (US)
- (72) Inventor: **Patricia McHale**, Palo Alto, CA (US)
- (73) Assignee: **Theranos, Inc.**, Palo Alto, CA (US)
- (**) Term: **15 Years**
- (21) Appl. No.: **29/551,201**
- (22) Filed: **Jan. 11, 2016**

- 3,701,434 A 10/1972 Moore
- D229,748 S 1/1974 White
- D232,355 S 8/1974 Wiedmann
- 4,348,207 A 9/1982 Cappel
- D285,118 S 8/1986 Huang
- 4,674,640 A 6/1987 Asa et al.
- 4,683,058 A 7/1987 Lyman et al.
- 4,713,219 A 12/1987 Gerken et al.
- 4,755,356 A 7/1988 Robbins et al.
- 4,830,209 A 5/1989 Jessop et al.
- D304,997 S 12/1989 Baxter
- 4,896,780 A 1/1990 Jessop et al.
- D307,052 S 4/1990 Baxter
- 4,920,975 A 5/1990 Fay
- 4,953,741 A 9/1990 Jessop et al.
- D311,876 S 11/1990 Kiegami

(Continued)

Related U.S. Application Data

- (63) Continuation of application No. 29/466,415, filed on Sep. 6, 2013, now Pat. No. Des. 754,361.

(51) **LOC (10) Cl.** **24-02**

(52) **U.S. Cl.**
USPC **D24/227**

(58) **Field of Classification Search**

USPC D24/216, 219, 222-232, 121;
 D3/203.1-203.8; 422/300, 297, 500, 509,
 422/547-566; D9/741, 743; 211/126.1;
 206/443, 446, 528, 438, 557, 562-563,
 206/363-365
 CPC A61L 2/26; B01L 2300/0816; B01L 3/50825;
 B01L 3/5021; B01L 3/5082; B01L
 3/5085; B01L 3/505; B01L 9/06; G01N
 35/10; G01N 35/1002; A47F
 5/0025; B65D 85/20; B65D 85/42; B65D
 71/72

See application file for complete search history.

(56) **References Cited**

U.S. PATENT DOCUMENTS

- 1,775,109 A 9/1930 Rodolphe
- 2,447,330 A 8/1948 Grebmeier
- 3,072,362 A 1/1963 Allen
- 3,107,805 A 10/1963 Asher
- 3,136,440 A 6/1964 Keller et al.
- 3,625,485 A 12/1971 Adler

OTHER PUBLICATIONS

Notice of Allowance dated Oct. 7, 2015 for U.S. Appl. No. 29/466,413.

(Continued)

Primary Examiner — T. Chase Nelson
Assistant Examiner — Mark Cavanna

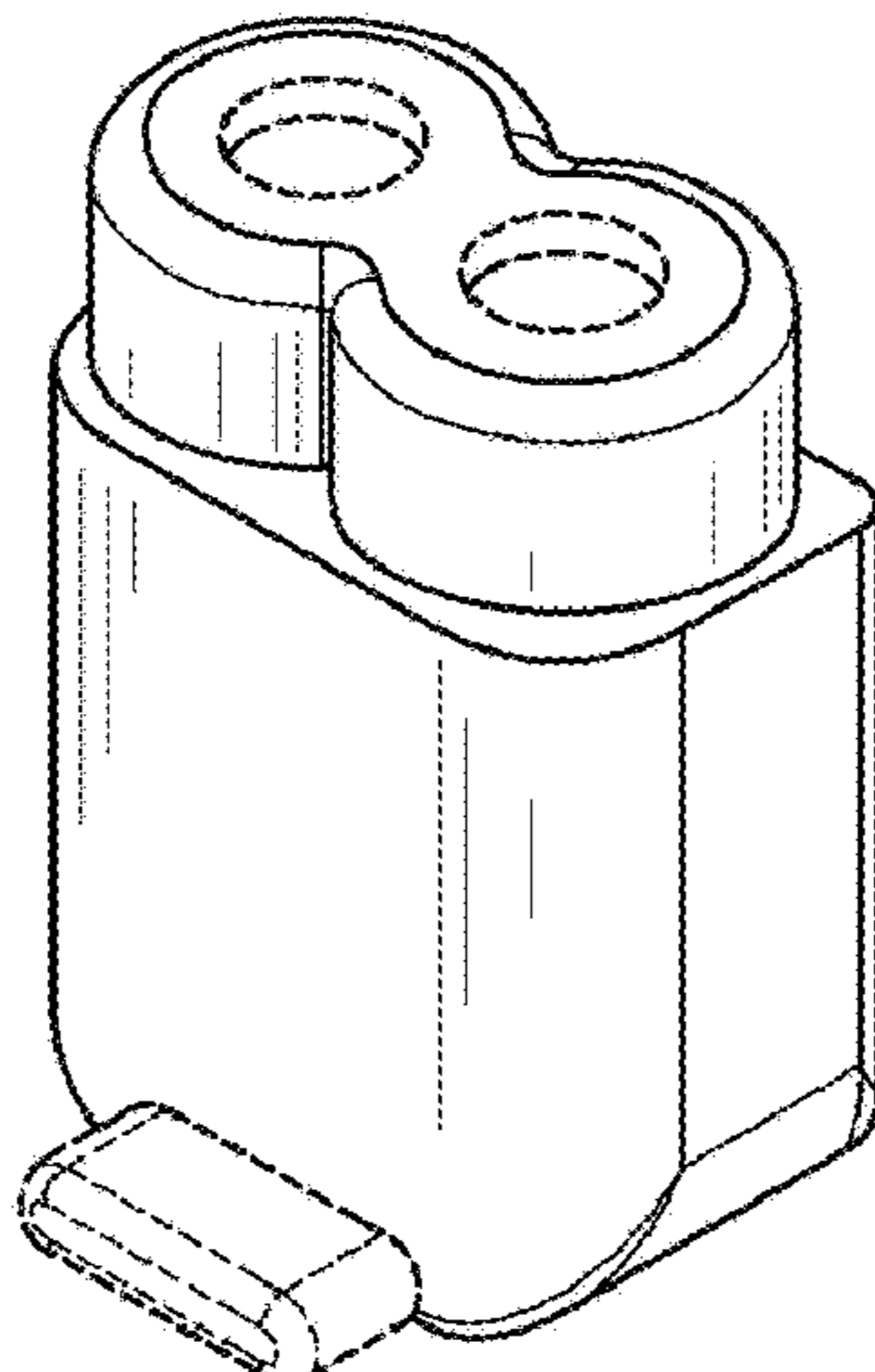
(57) **CLAIM**

The ornamental design for a sample container, as shown and described.

DESCRIPTION

FIG. 1 is a front top perspective view of a sample container, showing our new design;
 FIG. 2 is a front view thereof;
 FIG. 3 is a back view thereof;
 FIG. 4 is a side view thereof;
 FIG. 5 is a top view thereof; and,
 FIG. 6 is a bottom view thereof.
 The broken lines are included for the purpose of illustrating portions of the sample container that form no part of the claimed design.

1 Claim, 2 Drawing Sheets



(56)

References Cited

U.S. PATENT DOCUMENTS

5,225,165 A 7/1993 Perlman
 5,234,667 A 8/1993 Radtke et al.
 D339,869 S 9/1993 Schea et al.
 5,251,639 A 10/1993 Rentsch
 5,254,314 A 10/1993 Yu et al.
 D342,793 S 12/1993 Balmer
 5,270,011 A 12/1993 Altherr
 D344,138 S 2/1994 Nagata
 D345,611 S 3/1994 Long
 5,295,599 A 3/1994 Smith
 5,382,409 A 1/1995 Baxter
 5,620,662 A 4/1997 Perlman
 5,785,925 A 7/1998 U'Ren
 D401,700 S 11/1998 Gray et al.
 5,891,327 A 4/1999 Taunk
 5,915,583 A 6/1999 Cloonan et al.
 5,916,526 A 6/1999 Robbins
 5,931,828 A 8/1999 Durkee
 5,958,778 A 9/1999 Kidd
 6,001,310 A 12/1999 Shaffer et al.
 6,007,778 A 12/1999 Cholewa
 D425,625 S 5/2000 Niermann
 6,056,925 A 5/2000 Sarstedt
 D432,245 S 10/2000 Stevens et al.
 D435,663 S 12/2000 Stevens et al.
 D436,182 S 1/2001 Stevens et al.
 D444,885 S 7/2001 Conway
 6,312,648 B1 11/2001 Lenardo et al.
 D453,573 S 2/2002 Berlin
 D453,837 S 2/2002 Lodge
 D453,838 S 2/2002 Harrop
 D501,561 S 2/2005 Smith
 D501,562 S 2/2005 Smith
 D501,679 S 2/2005 Smith
 D501,680 S 2/2005 Smith
 D510,769 S 10/2005 Bublewitz et al.
 D514,705 S 2/2006 Bublewitz et al.
 D519,209 S 4/2006 Bublewitz et al.

D522,145 S 5/2006 Best et al.
 D543,783 S 6/2007 Goldberg
 D544,610 S 6/2007 Ouchi et al.
 D562,987 S 2/2008 Colin et al.
 D579,120 S * 10/2008 Suzuki D24/224
 D624,194 S 9/2010 Pack et al.
 D639,445 S 6/2011 Newman et al.
 D643,720 S 8/2011 Maeda et al.
 D650,088 S 12/2011 Motadel
 D652,148 S * 1/2012 Matsuura D24/224
 D657,473 S 4/2012 Miyashita et al.
 D662,603 S * 6/2012 Greenizen D24/227
 D666,736 S 9/2012 Kobayashi
 D668,778 S 10/2012 Motadel
 D669,597 S 10/2012 Cavada et al.
 8,460,620 B2 * 6/2013 Bartfeld B01L 3/5082
 422/549
 D687,304 S 8/2013 Tanner
 D688,385 S 8/2013 Trump
 D705,444 S 5/2014 Johansson et al.
 D709,210 S 7/2014 Johansson et al.
 D716,965 S 11/2014 Fruscella
 D723,181 S 2/2015 Kawamura
 D732,684 S 6/2015 Ooi et al.
 D748,279 S 1/2016 McHale
 D754,361 S 4/2016 McHale
 2005/0011894 A1 1/2005 Eberle
 2014/0118733 A1 5/2014 Harward

OTHER PUBLICATIONS

Notice of Allowance dated Dec. 11, 2015 for U.S. Appl. No. 29/466,415.
 Office Action dated Oct. 7, 2015 for U.S. Appl. No. 29/466,415.
 Office Action dated Mar. 22, 2016 for U.S. Appl. No. 29/466,412.
 Office Action dated Mar. 30, 2016 for U.S. Appl. No. 29/466,411.
 Office Action dated Oct. 4, 2016 for U.S. Appl. No. 29/466,412.
 Office Action dated Sep. 27, 2016 for U.S. Appl. No. 29/466,411.

* cited by examiner

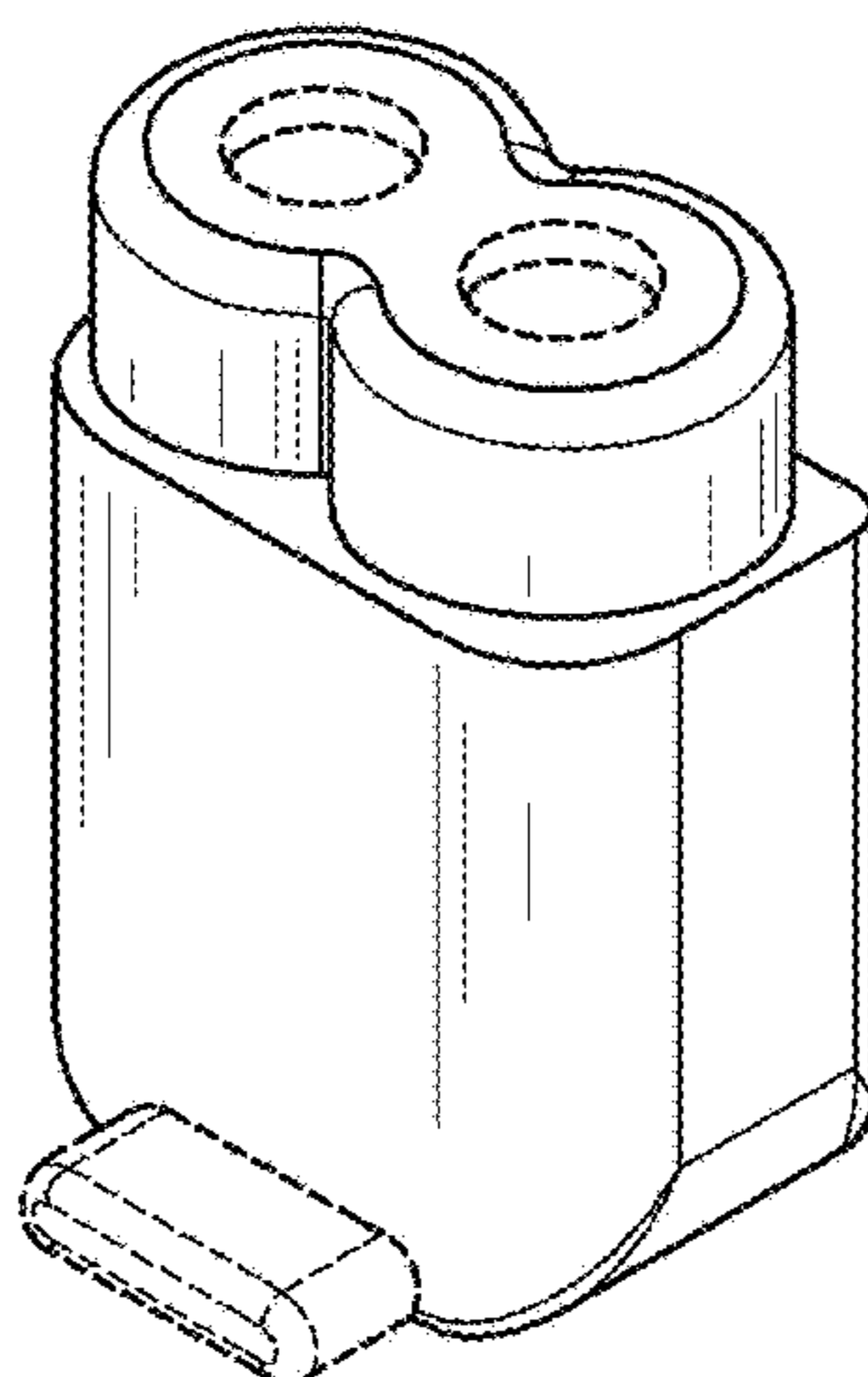


FIG. 1

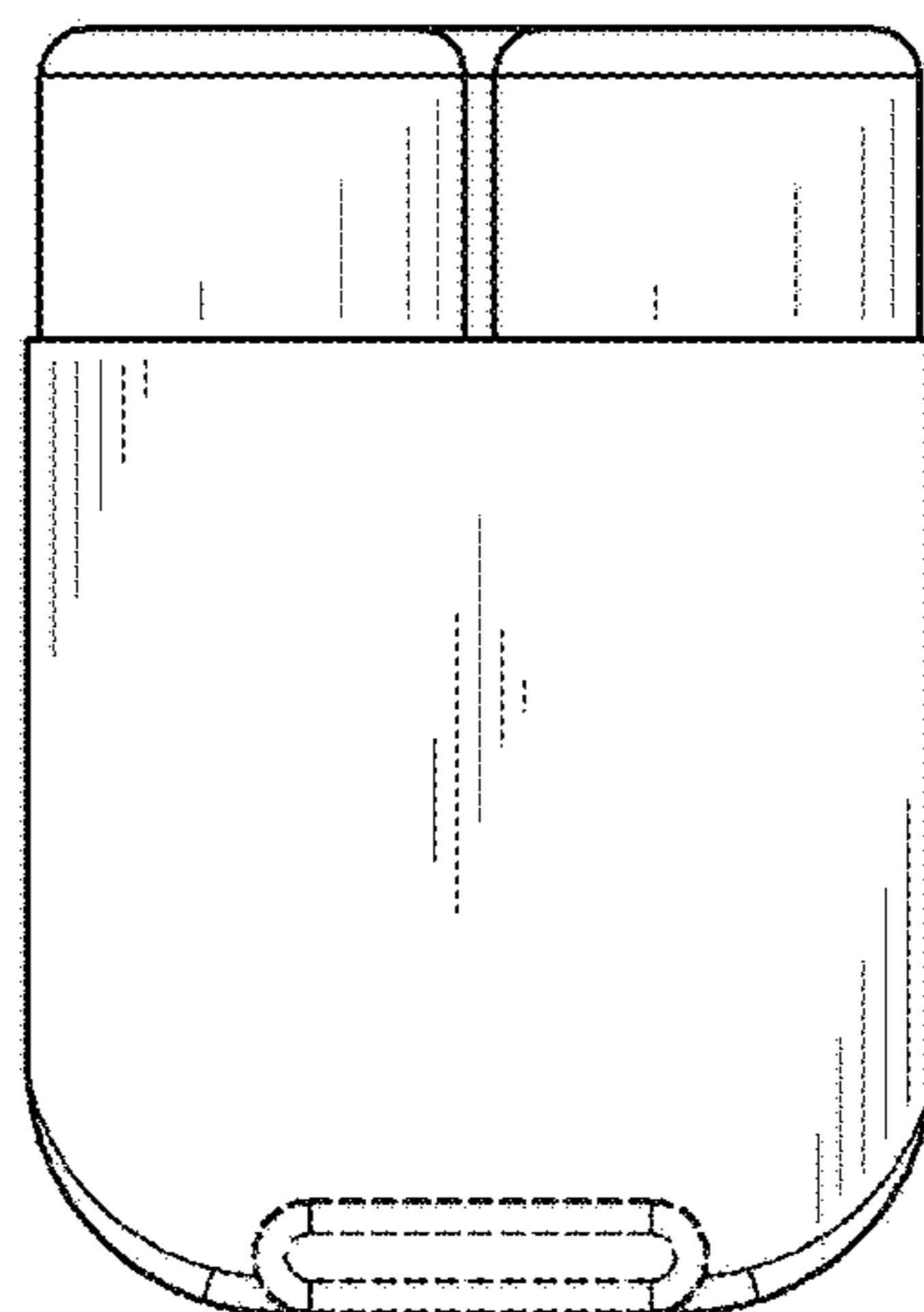


FIG. 2

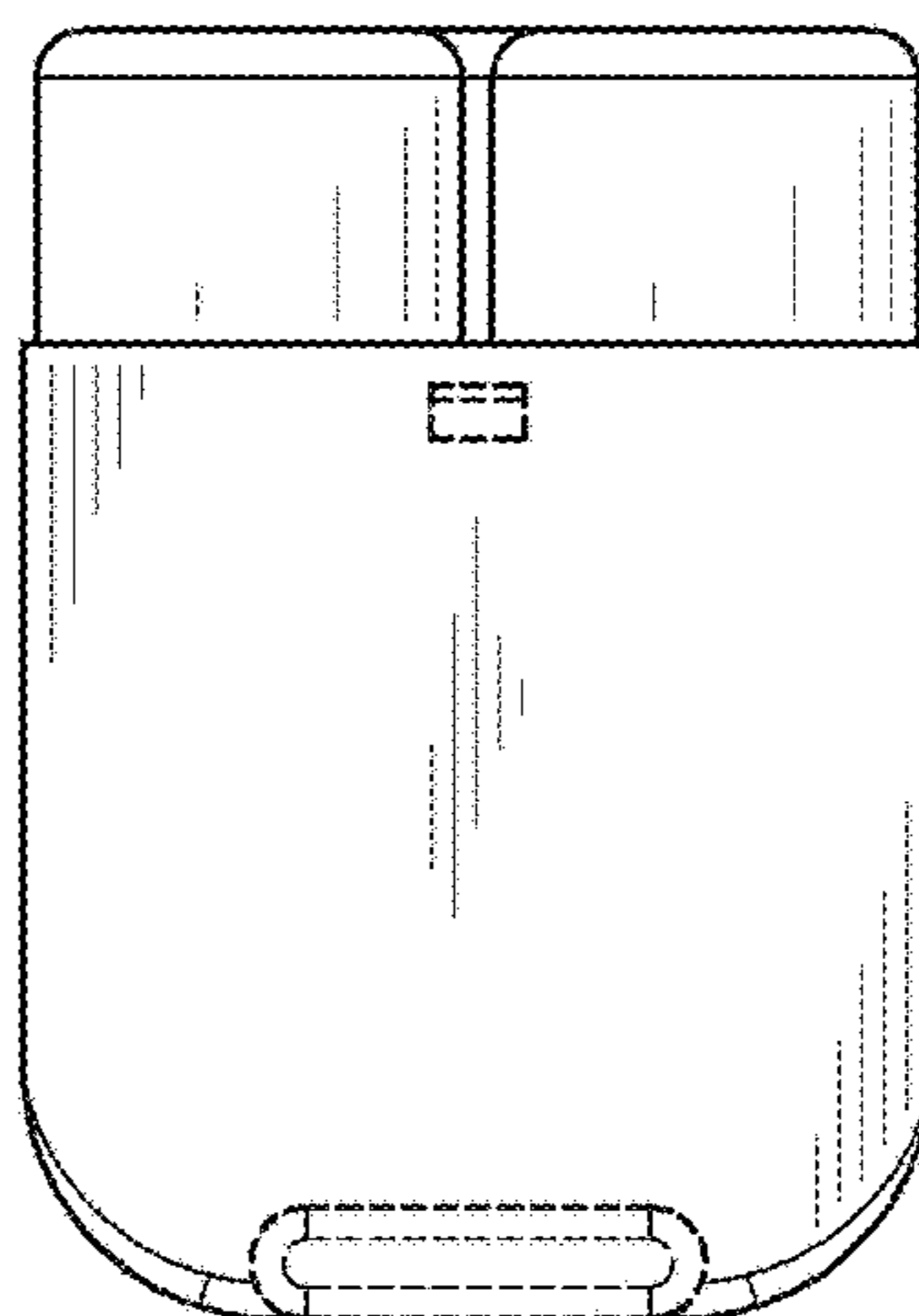


FIG. 3

FIG. 4

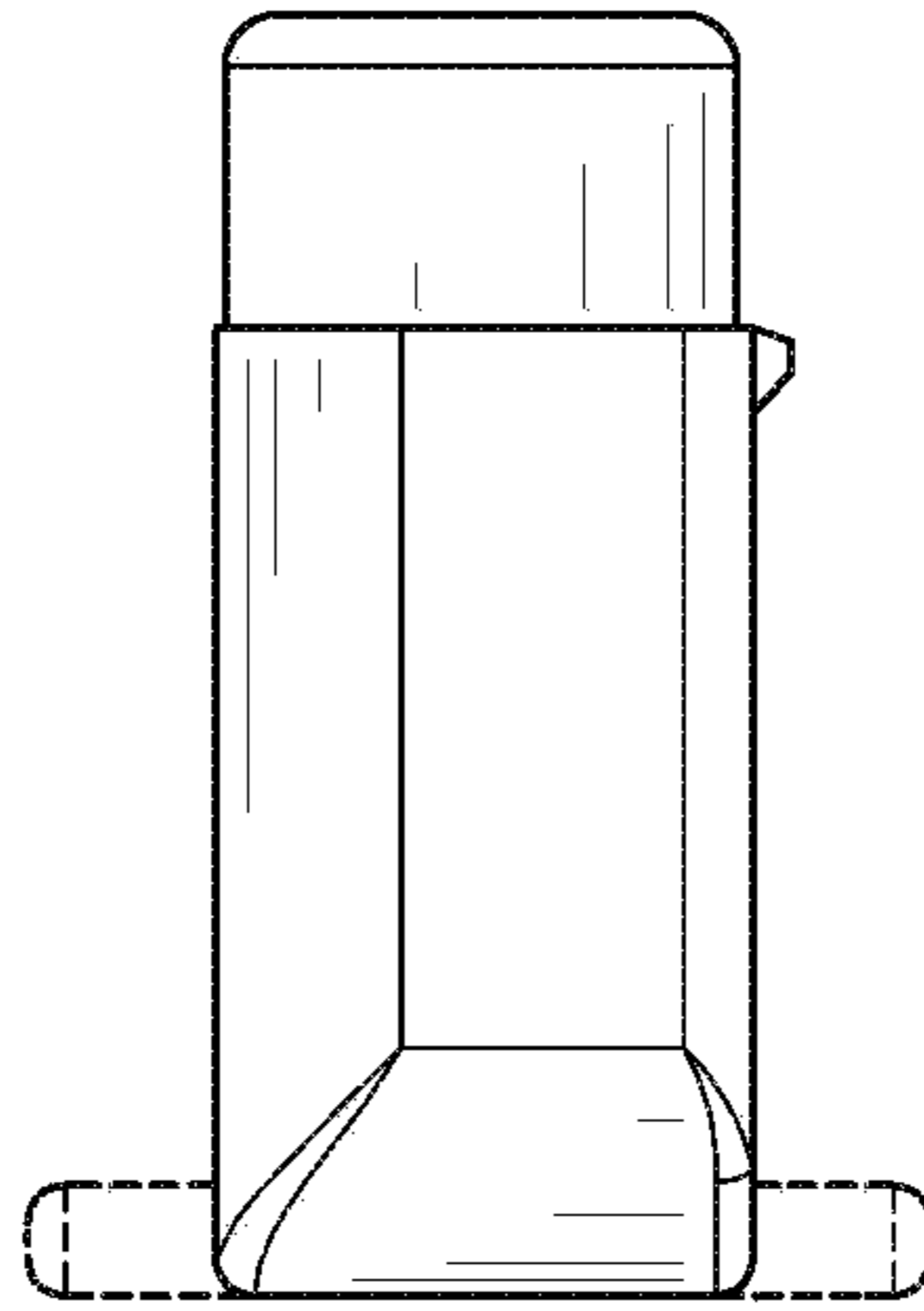


FIG. 5

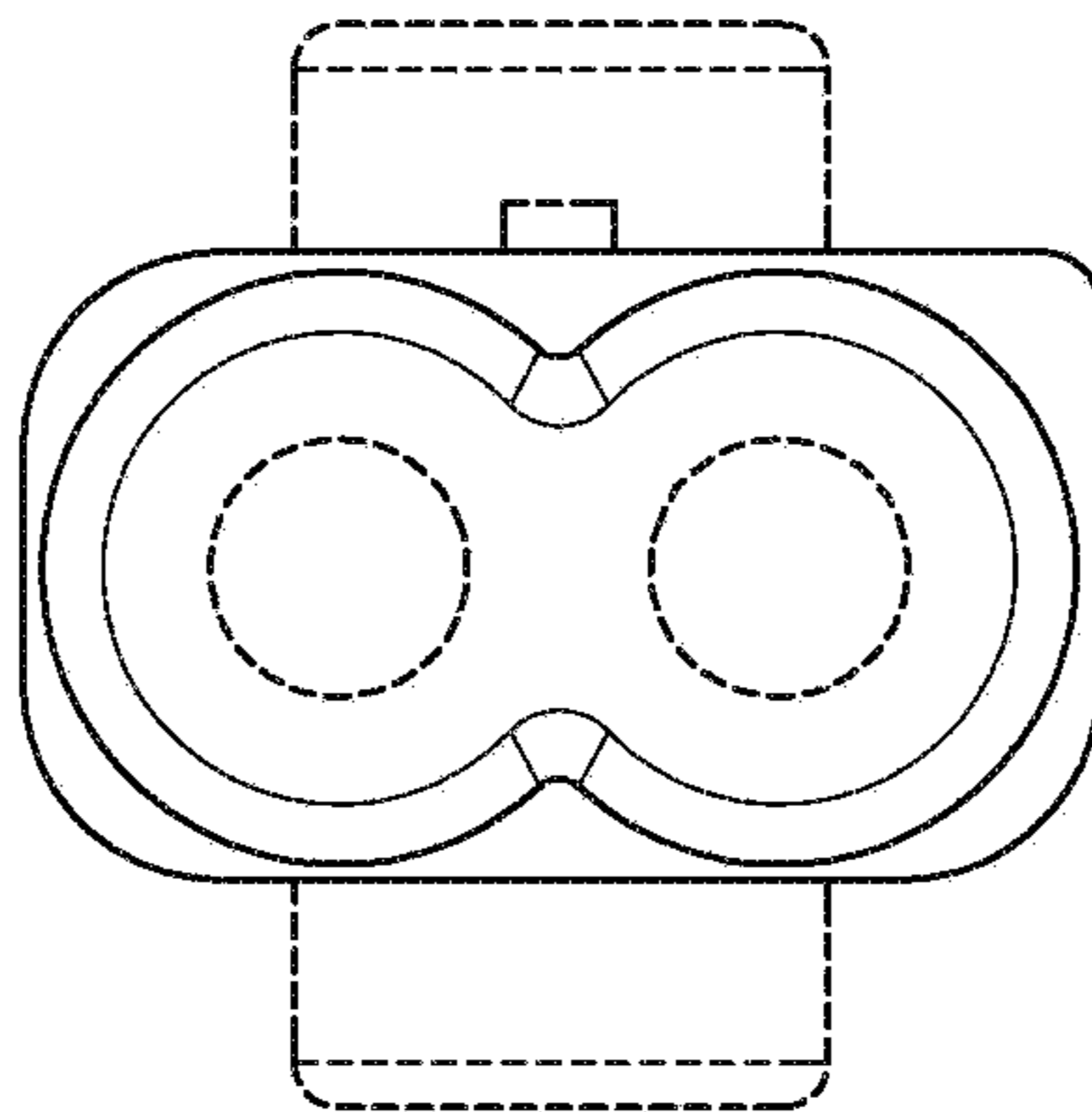


FIG. 6

