



US00D779080S

(12) **United States Design Patent** (10) **Patent No.:** **US D779,080 S**
Nguyen (45) **Date of Patent:** **** Feb. 14, 2017**

(54) **AIR SPA CONTAINER**
(71) Applicant: **Tommy Van Nguyen**, Richmond, TX (US)
(72) Inventor: **Tommy Van Nguyen**, Richmond, TX (US)
(**) Term: **15 Years**
(21) Appl. No.: **29/535,209**
(22) Filed: **Aug. 4, 2015**
(51) **LOC (10) Cl.** **24-04**
(52) **U.S. Cl.**
USPC **D24/204**
(58) **Field of Classification Search**
USPC D24/201–205, 213; D23/276–278, D23/280.1–280.3, 284, 289, 293.1; D6/360, D6/336, 338; D28/56, 61
CPC A61H 33/6005; A61H 33/6021; A61H 33/6089; A61H 33/6094; A61H 2035/004; A61H 35/006; A47K 3/022; A47K 3/062
See application file for complete search history.

D610,697 S 2/2010 Tran
D628,704 S 12/2010 Tran
8,296,874 B2 10/2012 Galati et al.
D717,455 S * 11/2014 Tran D24/204
8,918,924 B2 12/2014 Ton
2008/0184481 A1* 8/2008 Patterson A61H 35/006 4/622
2009/0094735 A1* 4/2009 Tran A47K 3/022 4/541.1
2016/0175190 A1* 6/2016 Alexander A61H 35/006 4/622

* cited by examiner

Primary Examiner — Anhdao Doan

(74) *Attorney, Agent, or Firm* — Andrew W. Chu; Craft Chu PLLC

(57) **CLAIM**

The ornamental design for an air spa container, as shown and described.

DESCRIPTION

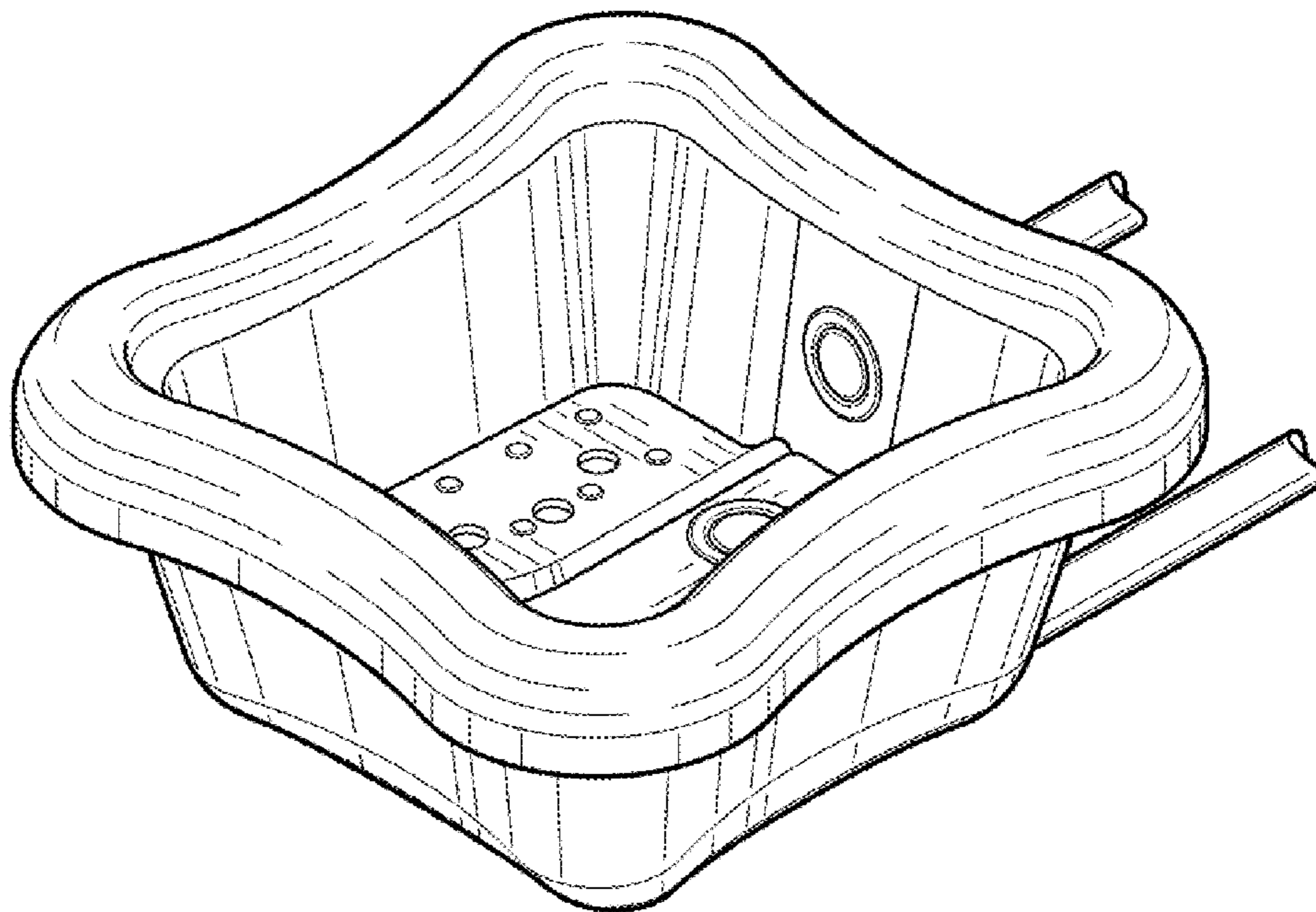
FIG. 1 is an upper perspective view of an air spa container showing my design in a condition of use. FIG. 2 is another upper perspective view thereof; FIG. 3 is a front elevation view thereof; FIG. 4 is a back elevation view thereof; FIG. 5 is a side elevation view thereof; FIG. 6 is an opposite side elevation view thereof; FIG. 7 is a top plan view thereof; and, FIG. 8 is a bottom plan view thereof. The broken lines in FIG. 1 represent environment and are for illustrative purposes only. The broken lines form no part of the claimed design.

1 Claim, 2 Drawing Sheets

(56) **References Cited**

U.S. PATENT DOCUMENTS

3,881,471 A * 5/1975 Grube A61H 35/006 601/158
6,309,366 B1 * 10/2001 Maxwell A61H 35/006 601/15
D504,178 S * 4/2005 Zolotnik D24/213
D560,853 S * 1/2008 Van Le D24/205
D583,960 S * 12/2008 Tran D24/204
D601,264 S * 9/2009 Patterson D24/201



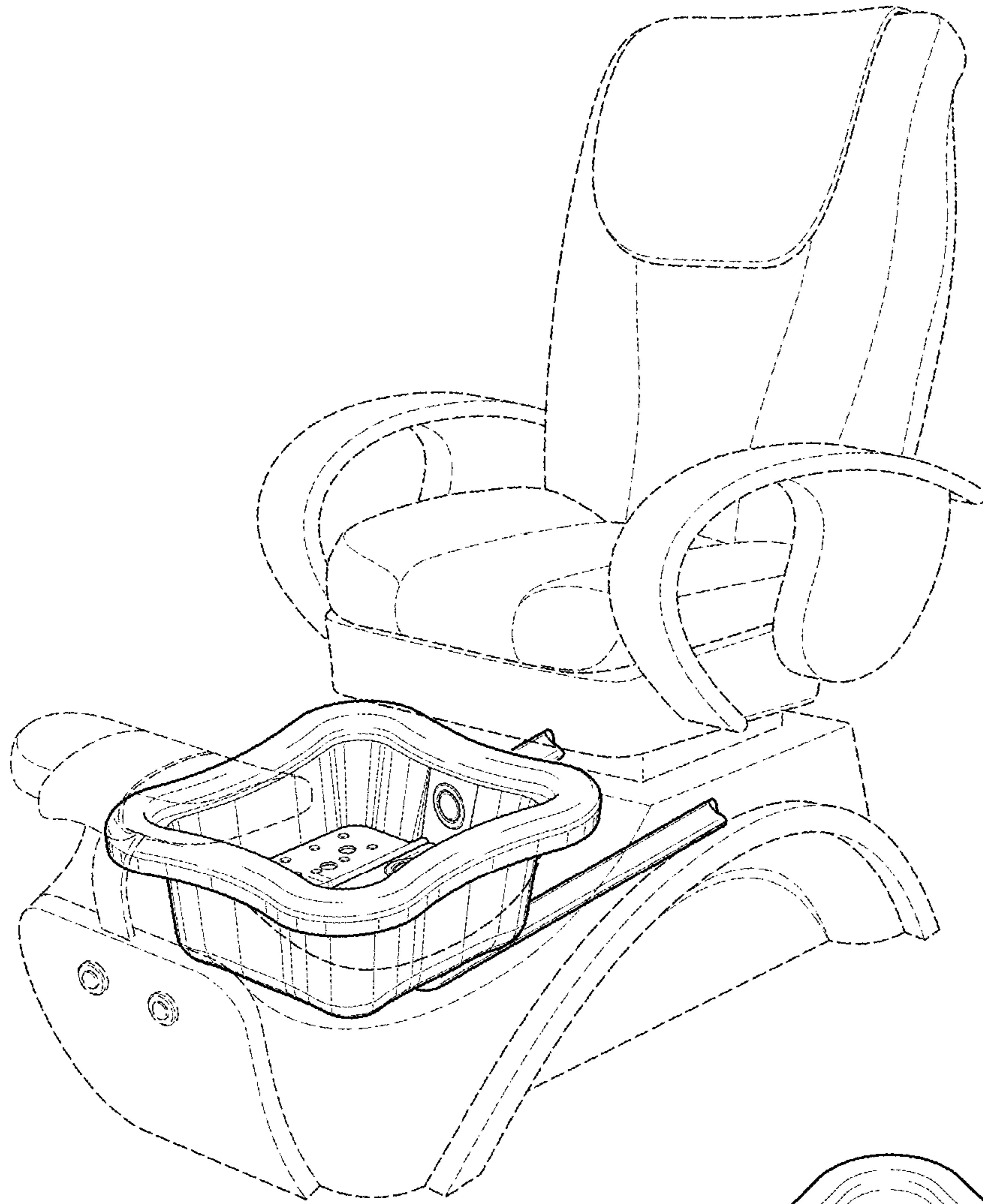


FIG. 1

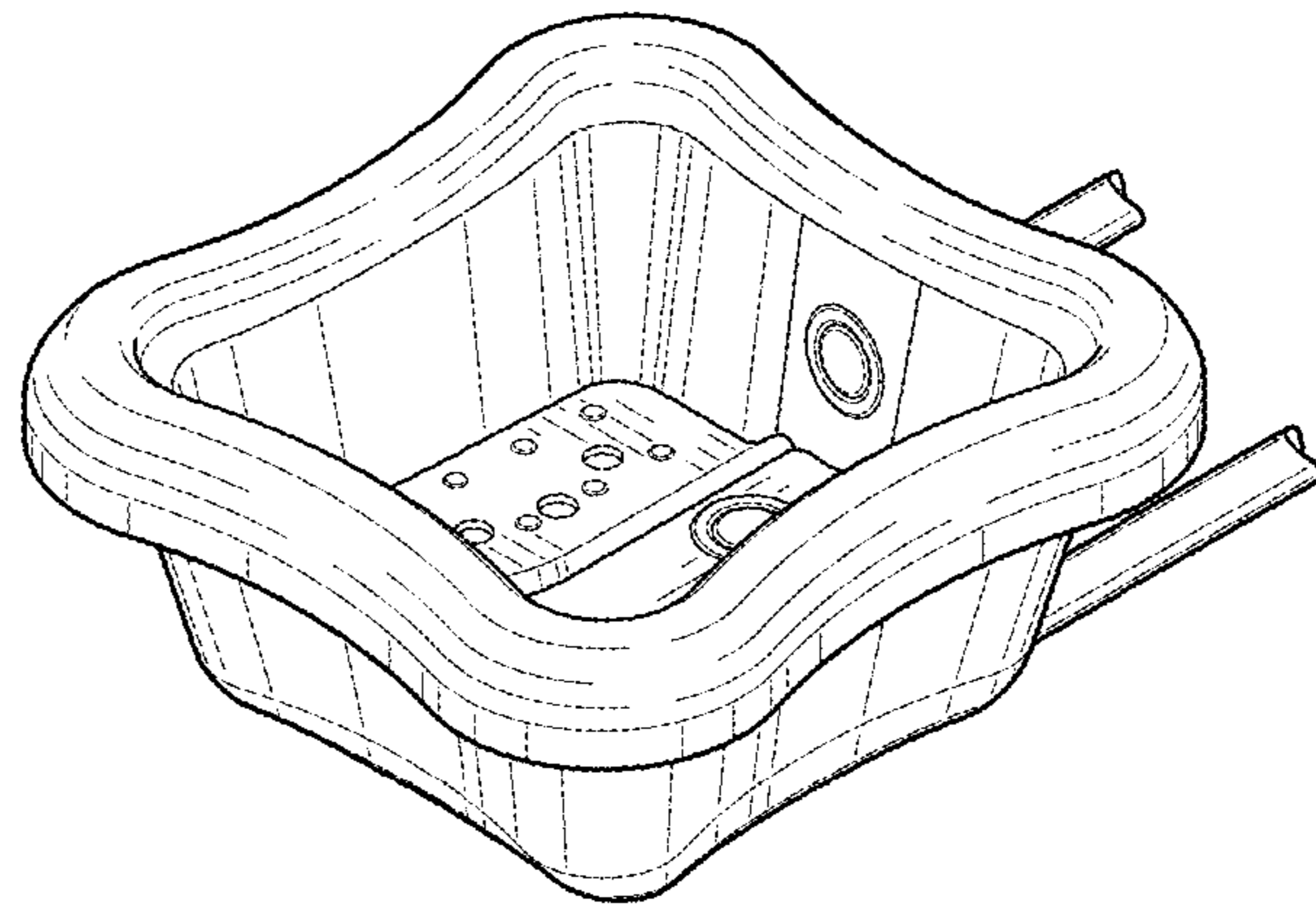


FIG. 2

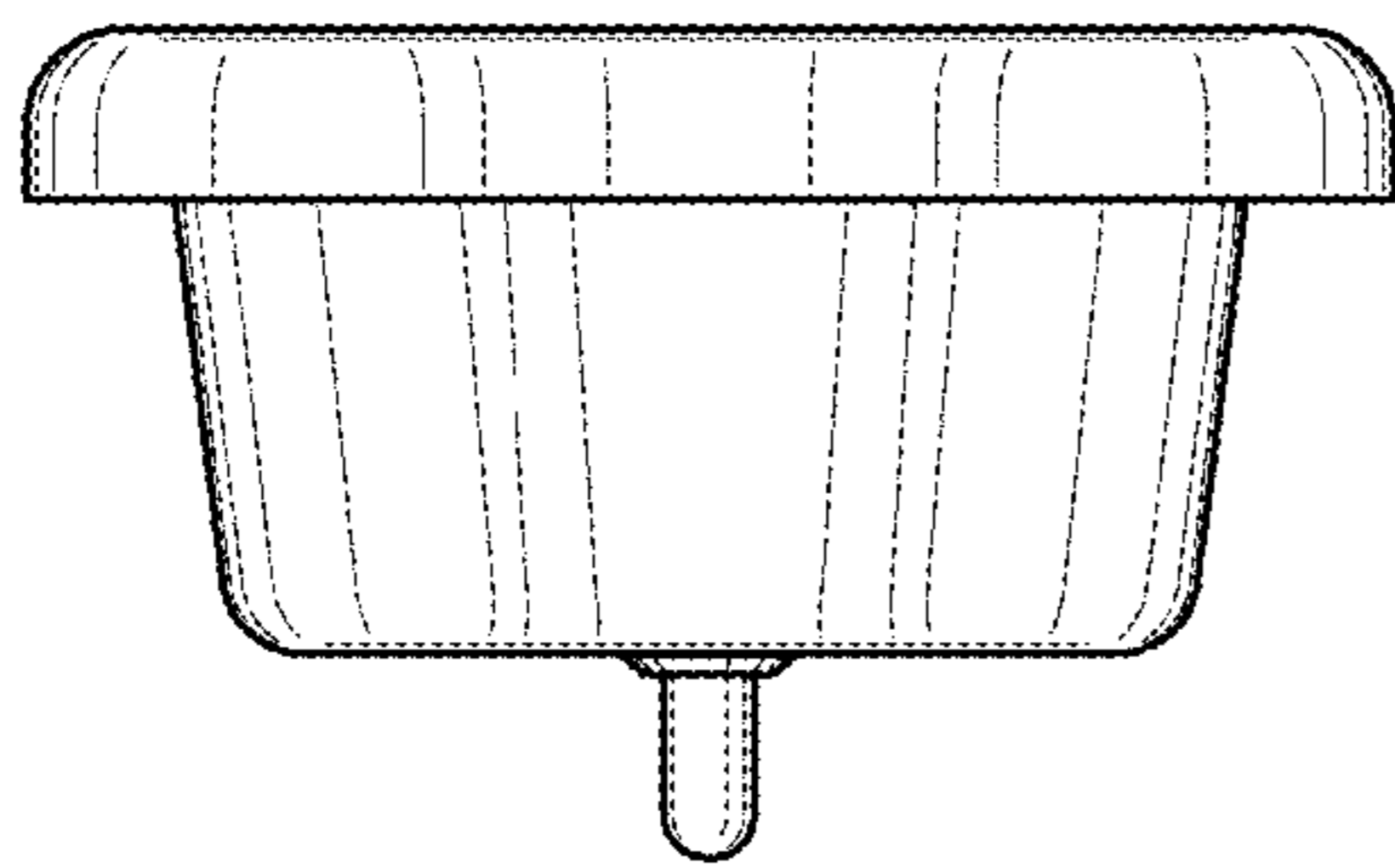


FIG. 3

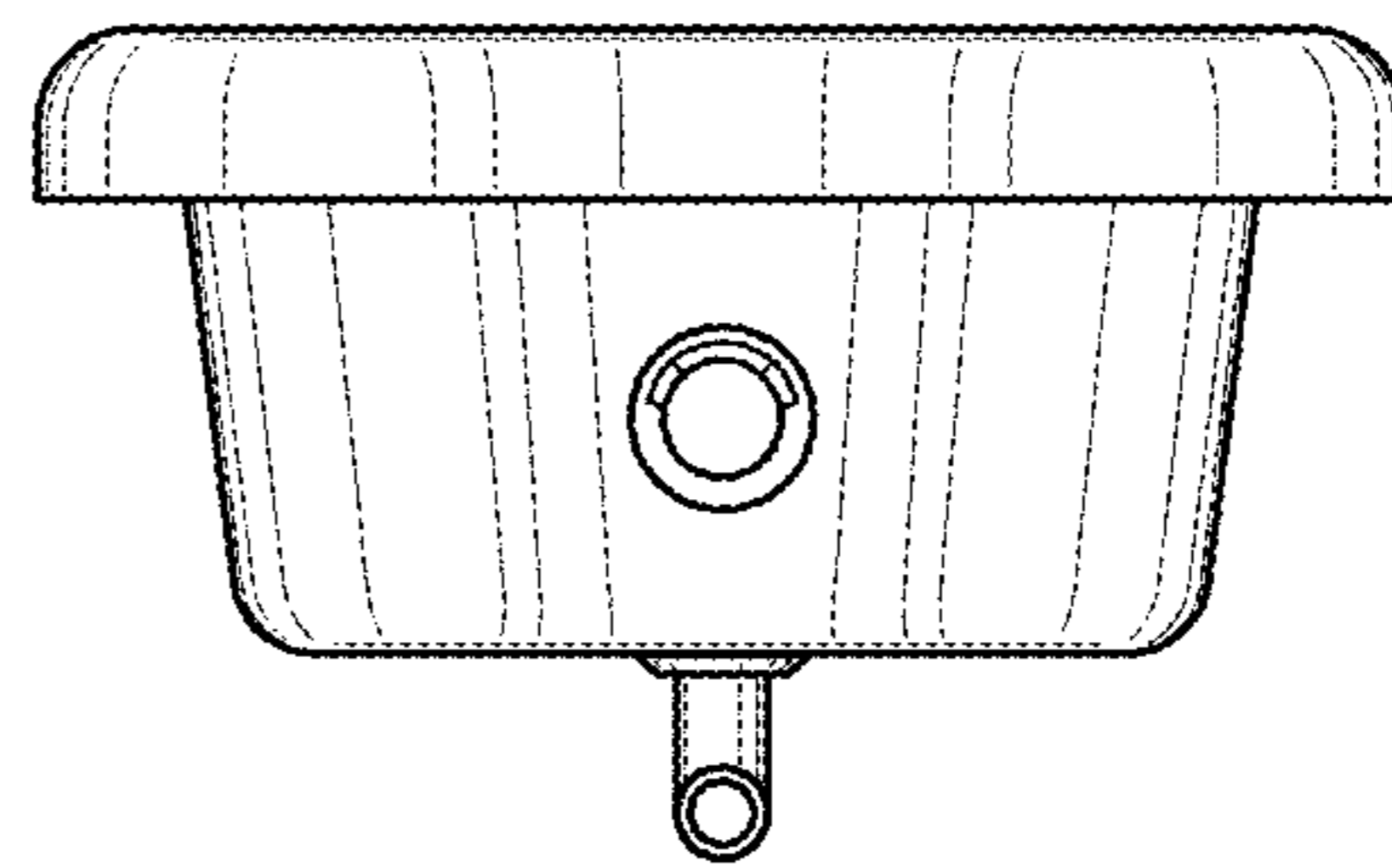


FIG. 4

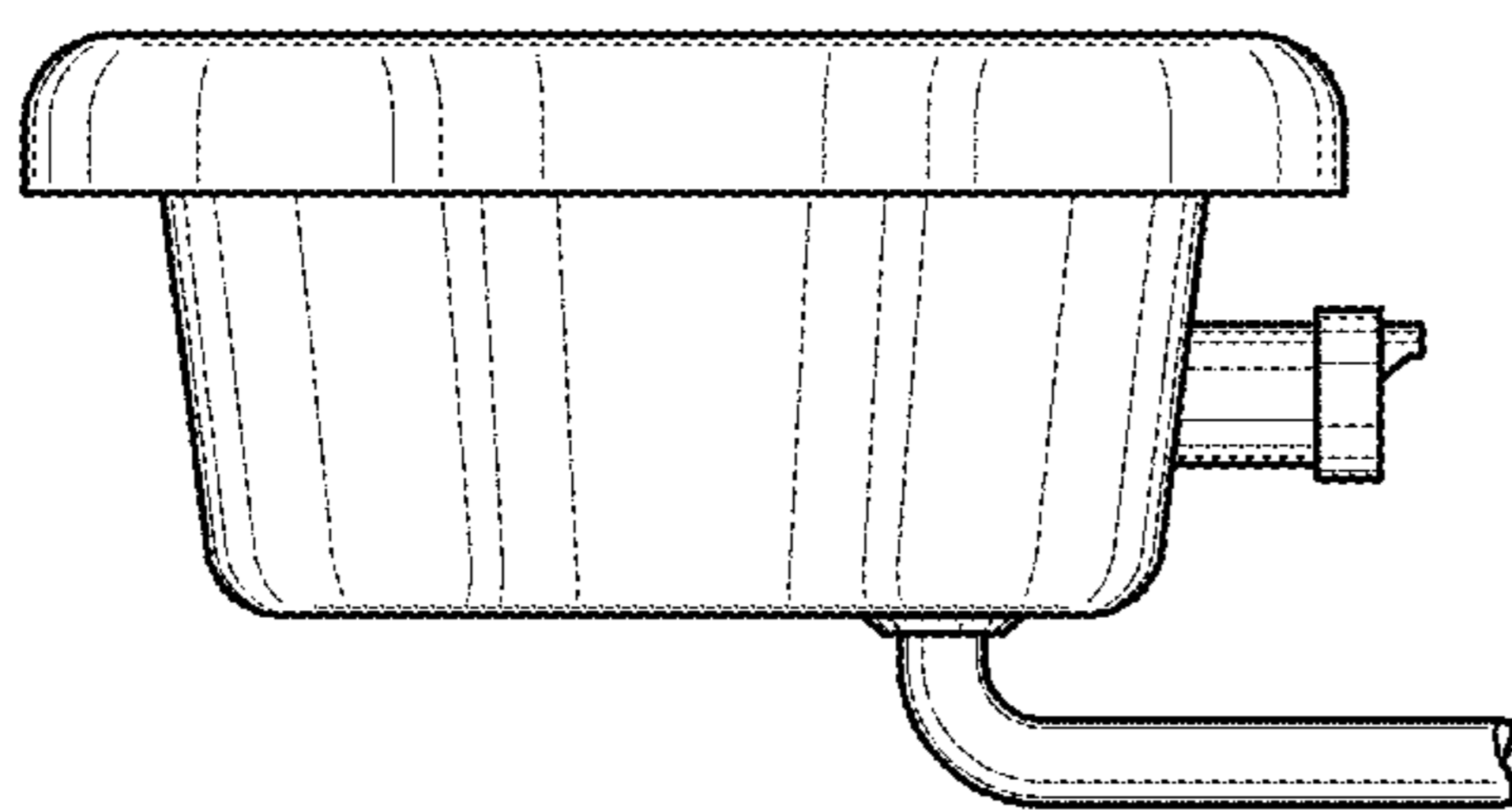


FIG. 5

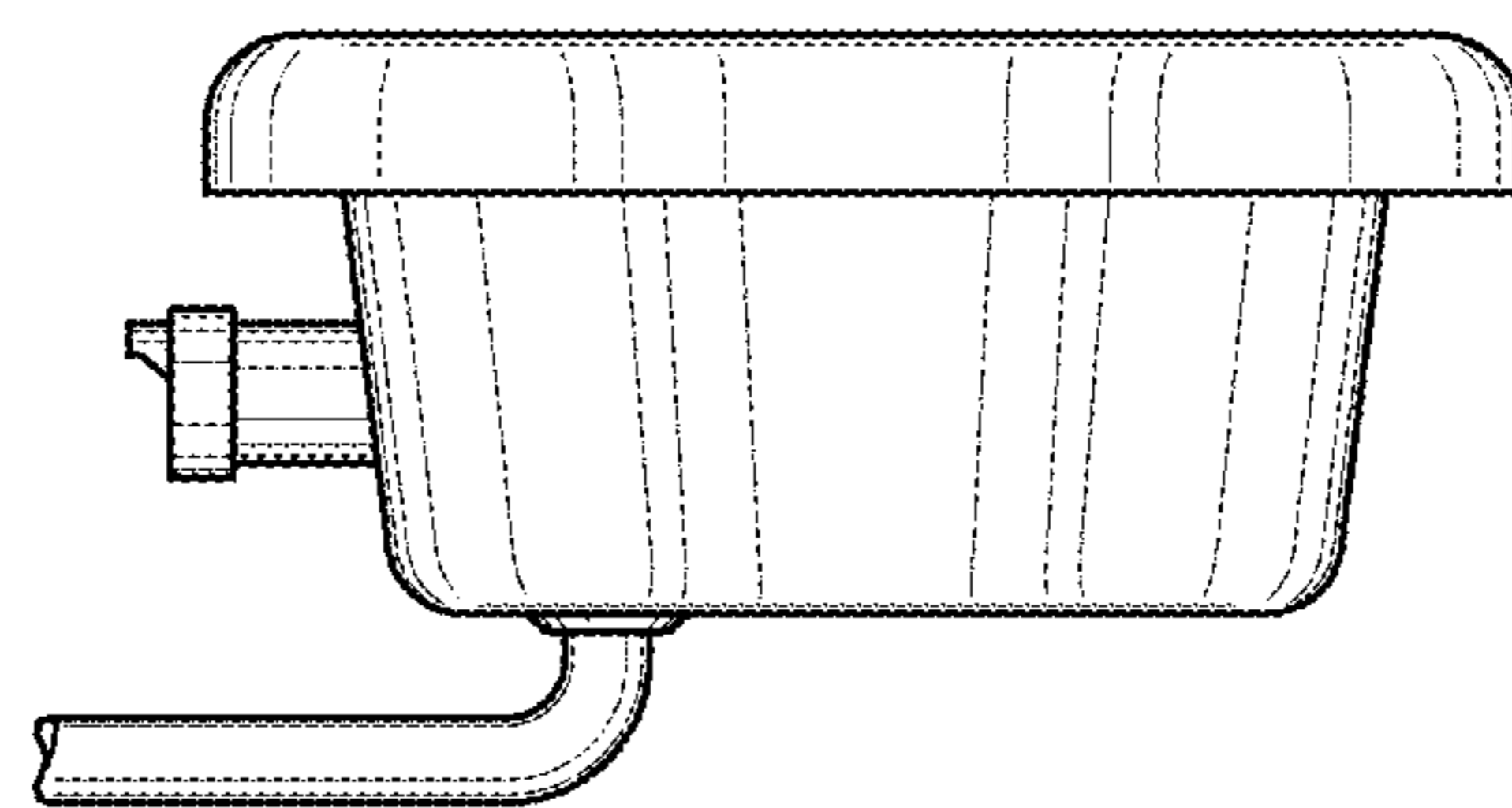


FIG. 6

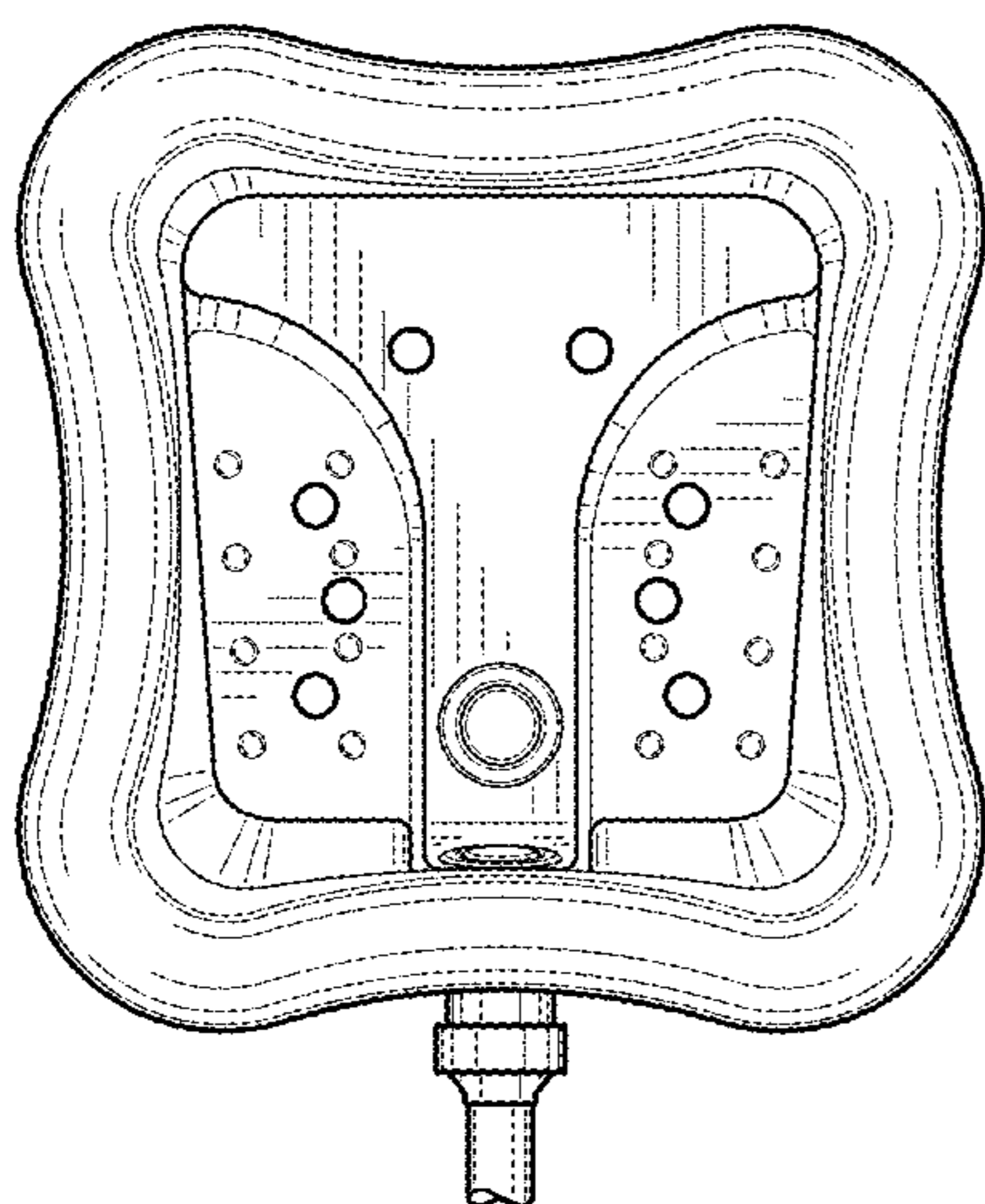


FIG. 7

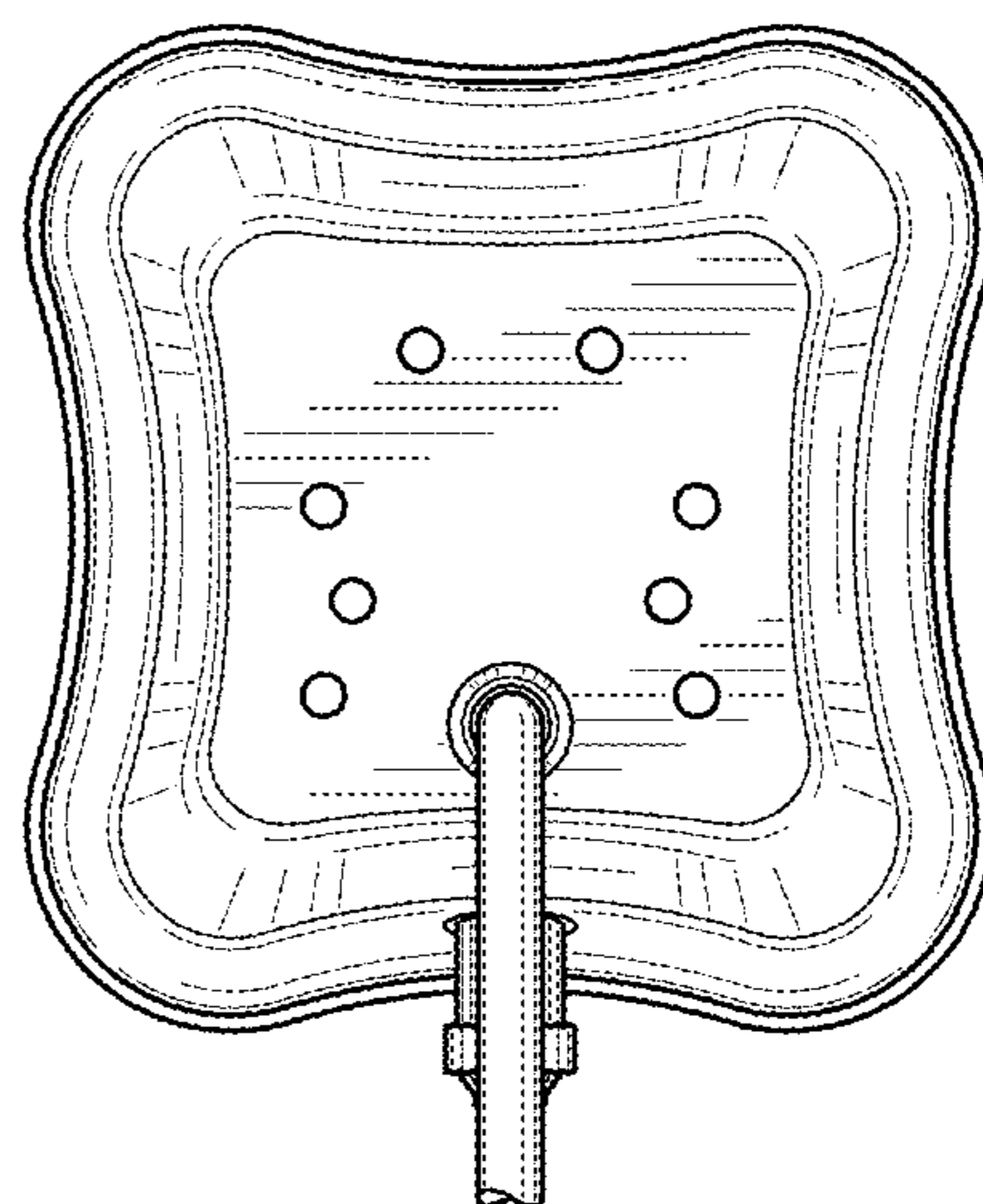


FIG. 8