



US00D779076S

(12) **United States Design Patent**
Chang et al.

(10) **Patent No.:** **US D779,076 S**

(45) **Date of Patent:** **** Feb. 14, 2017**

(54) **KNEE BRACE**

(71) Applicants: **Ki Yong Chang**, Seoul (KR); **Min Young Kang**, Seoul (KR)

(72) Inventors: **Ki Yong Chang**, Seoul (KR); **Min Young Kang**, Seoul (KR)

(**) Term: **15 Years**

(21) Appl. No.: **29/531,229**

(22) Filed: **Jun. 24, 2015**

(30) **Foreign Application Priority Data**

Jan. 6, 2015 (KR) 30-2015-0000450

(51) **LOC (10) Cl.** **24-01**

(52) **U.S. Cl.**
USPC **D24/190**

(58) **Field of Classification Search**
USPC D24/190, 192; D29/121.1
CPC A61F 5/0123; A61F 5/0125; A61F
2005/0139; A61F 2005/0176
See application file for complete search history.

(56) **References Cited**

U.S. PATENT DOCUMENTS

- D367,536 S * 2/1996 Kilbey D24/190
- D370,533 S * 6/1996 Kilbey D24/190
- D433,756 S * 11/2000 Castillo D24/190
- 6,878,126 B2 * 4/2005 Nelson A61F 5/0123
128/882
- D558,884 S * 1/2008 Ingimundarson D24/190
- D577,828 S * 9/2008 Ingimundarson D24/190

- 7,481,785 B2 * 1/2009 Turrini A61F 5/0123
128/869
- 7,749,183 B2 * 7/2010 Ingimundarson A61F 5/0123
2/24
- 7,867,183 B2 * 1/2011 Kazmierczak A61F 5/0123
602/23
- D646,790 S * 10/2011 Castillo D24/190
- D667,128 S * 9/2012 Pierce D24/190

* cited by examiner

Primary Examiner — George D Kirschbaum

Assistant Examiner — Jennifer Watkins

(74) *Attorney, Agent, or Firm* — Koppel, Patrick, Heybl & Philpott

(57) **CLAIM**

The ornamental design for a knee brace, as shown and described herein.

DESCRIPTION

FIG. 1 is a perspective view of a knee brace according to one embodiment of the present invention.
 FIG. 2 is a front view of the knee brace shown in FIG. 1.
 FIG. 3 is a rear view of the knee brace shown in FIG. 1.
 FIG. 4 is a left-side view of the knee brace shown in FIG. 1.
 FIG. 5 is a right-side view of the knee brace shown in FIG. 1.
 FIG. 6 is a top view of the knee brace shown in FIG. 1; and,
 FIG. 7 is a bottom view of the knee brace shown in FIG. 1.

1 Claim, 7 Drawing Sheets

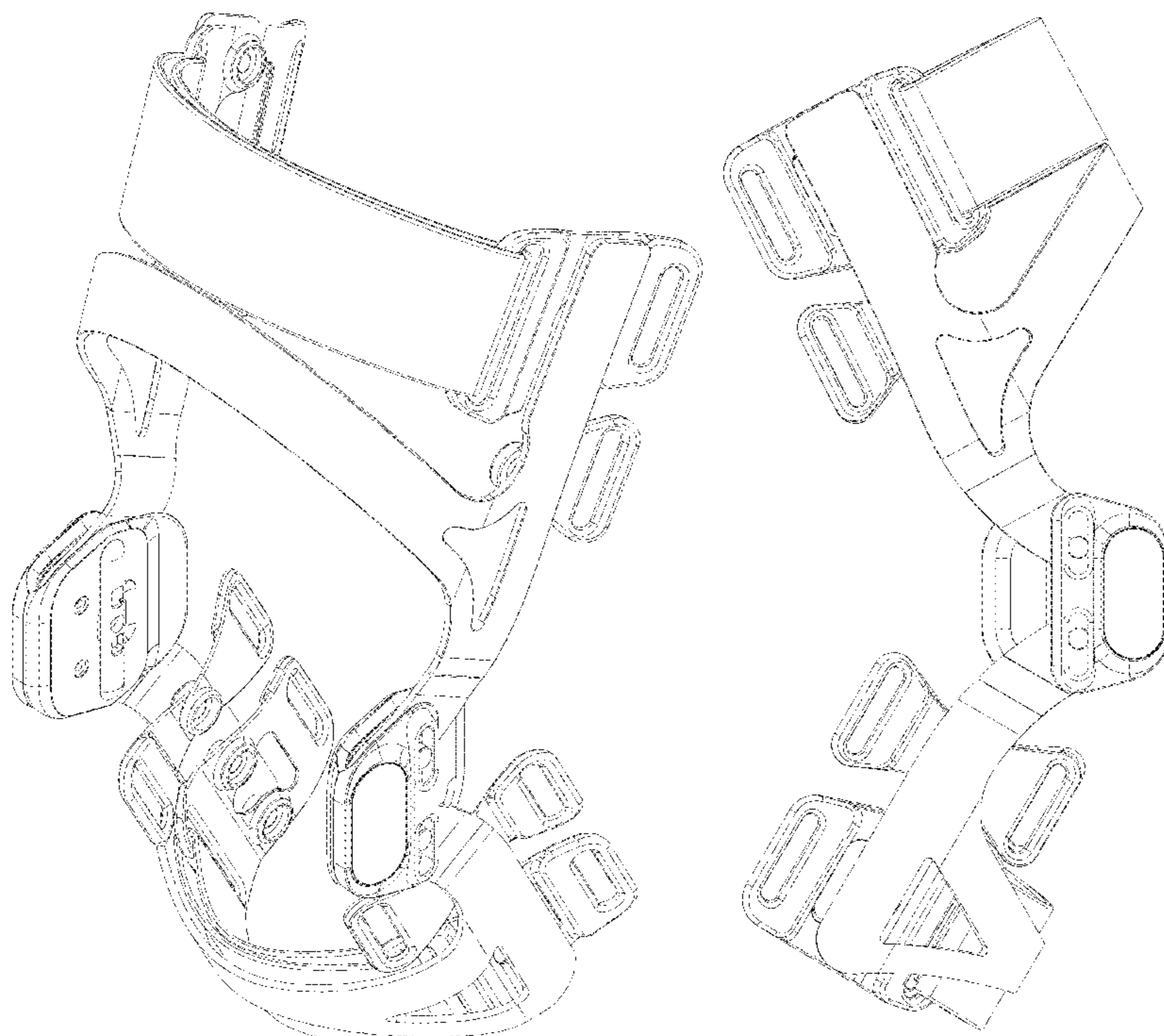


FIG. 1

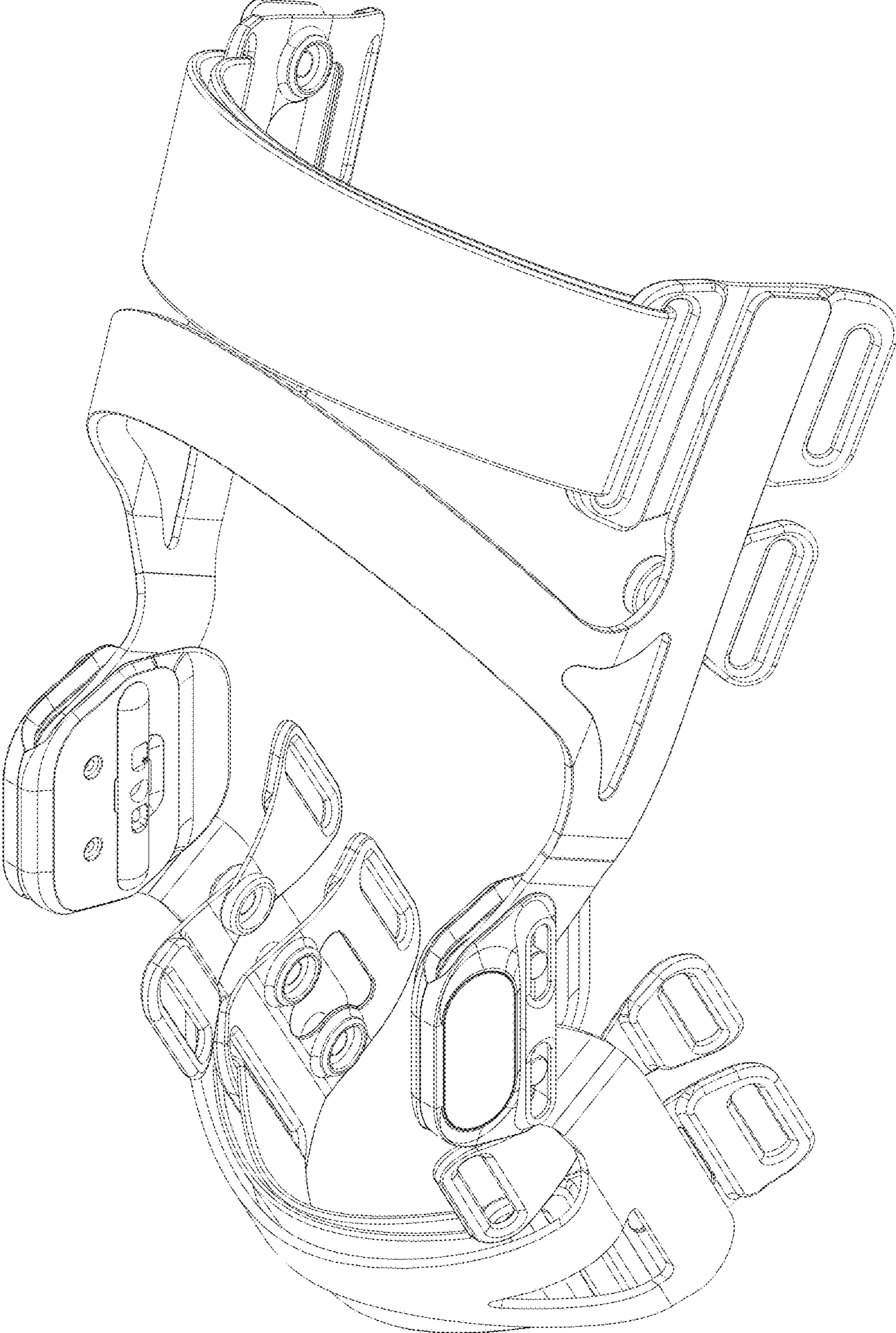


FIG. 2

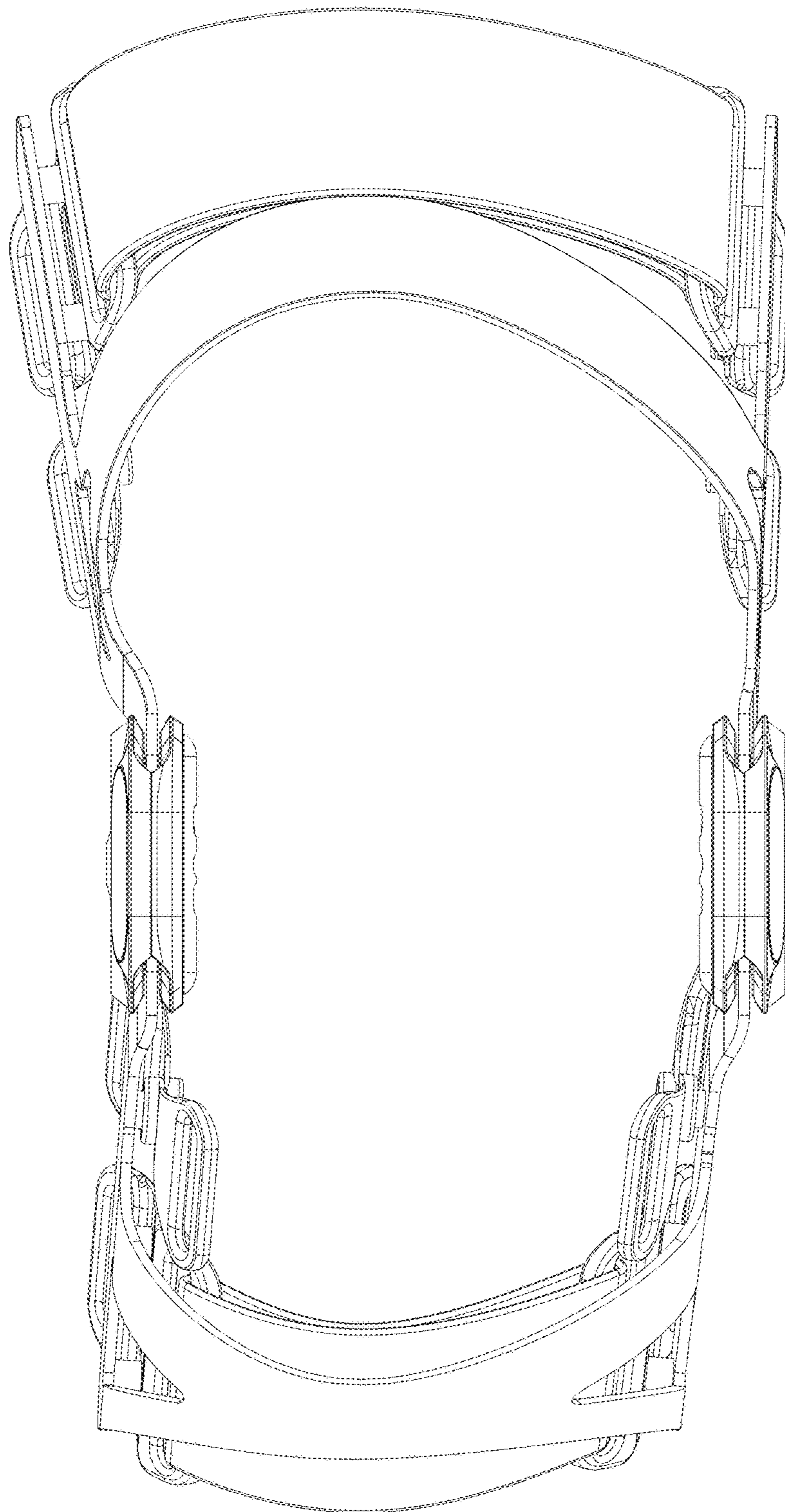


FIG. 3

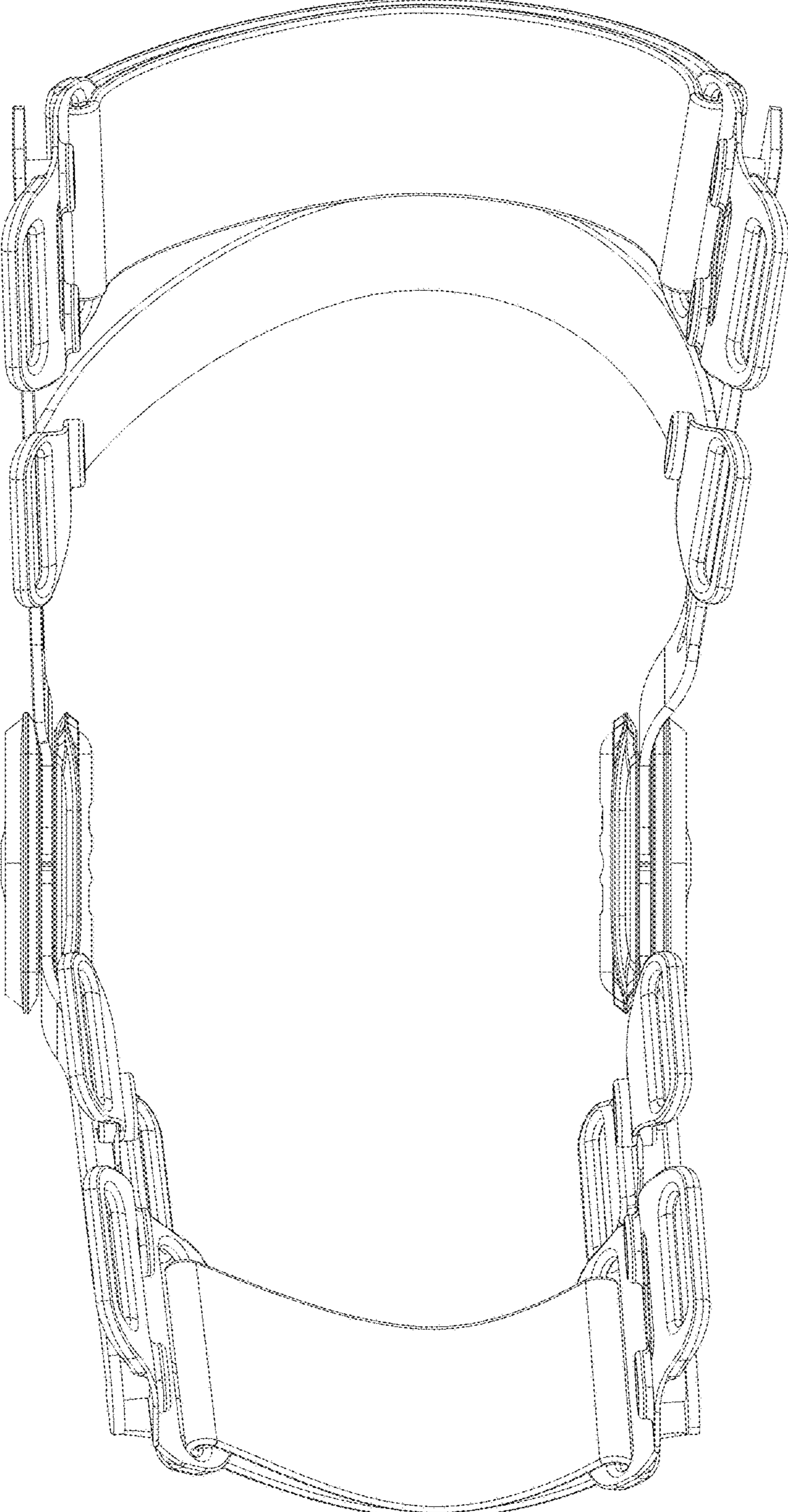


FIG. 4

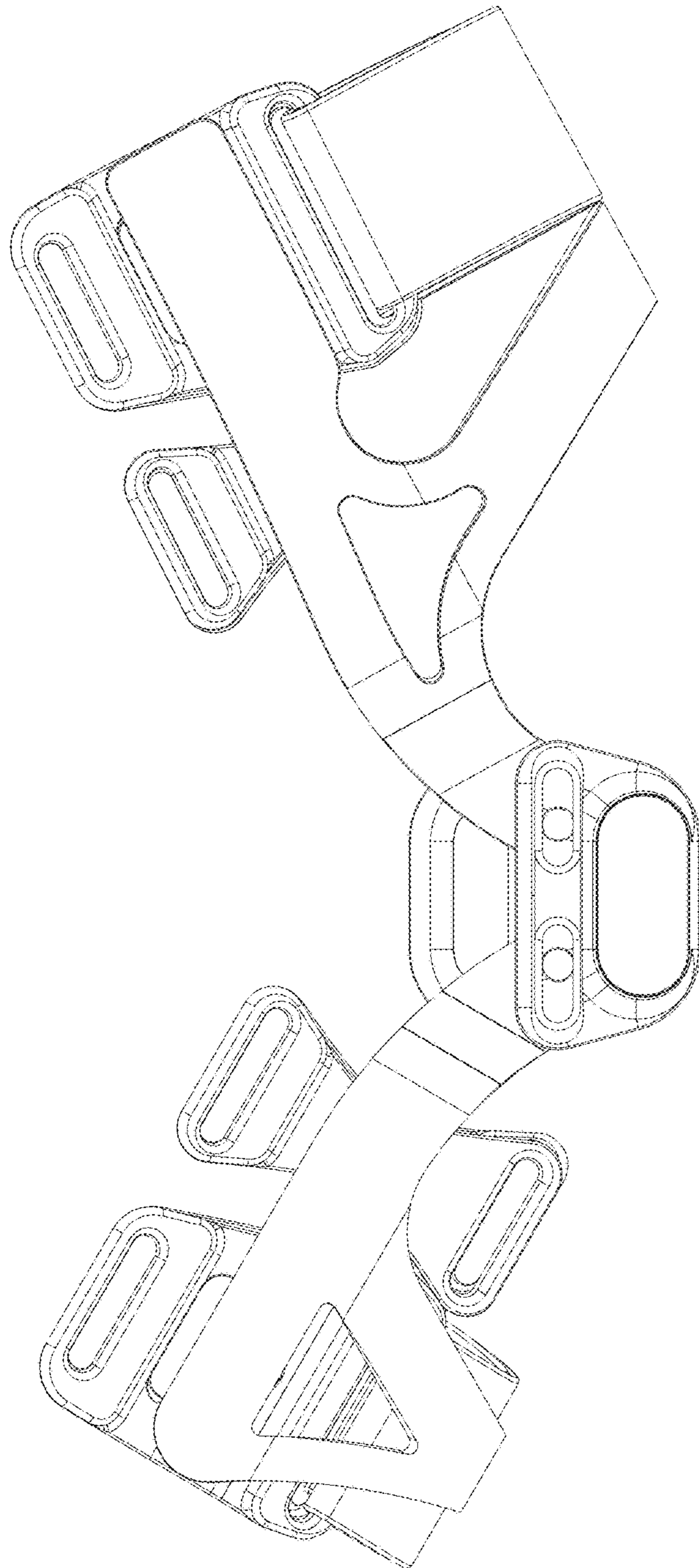


FIG. 5

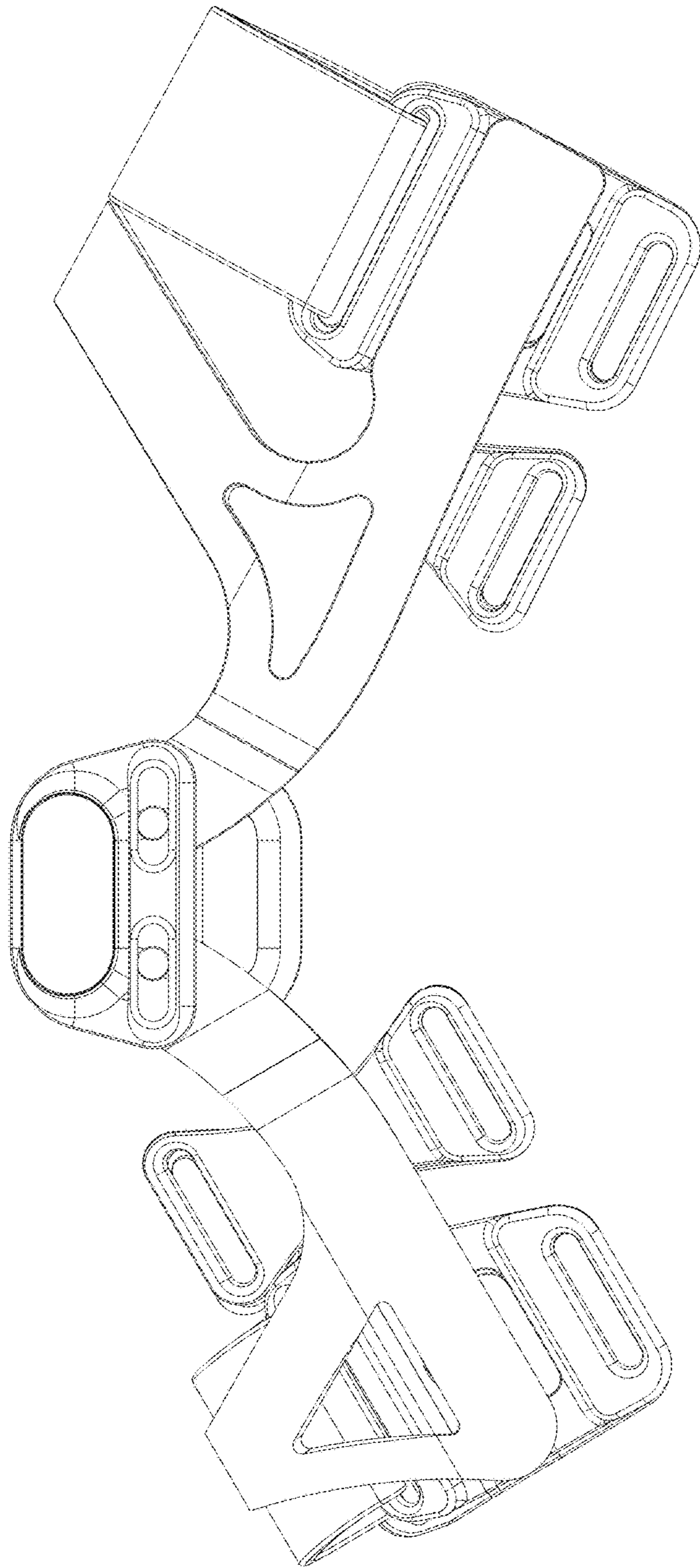


FIG. 6

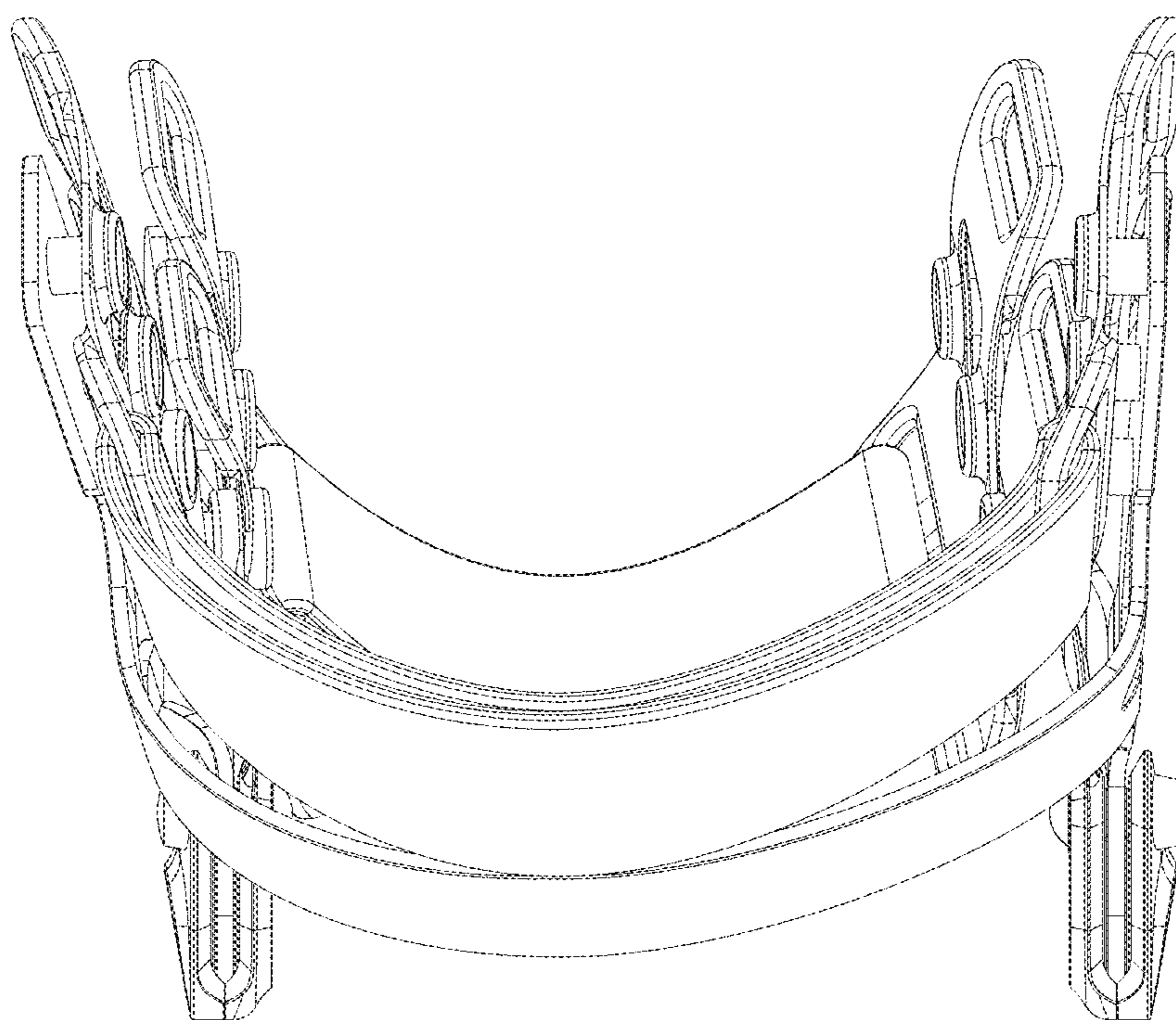


FIG. 7

