



US00D779075S

(12) **United States Design Patent**
Fried

(10) **Patent No.:** **US D779,075 S**

(45) **Date of Patent:** **** Feb. 14, 2017**

(54) **SPLINT**

(71) Applicant: **Scott Fried**, Gwynedd Valley, PA (US)

(72) Inventor: **Scott Fried**, Gwynedd Valley, PA (US)

(**) Term: **14 Years**

(21) Appl. No.: **29/521,261**

(22) Filed: **Mar. 20, 2015**

(51) **LOC (10) Cl.** **24-04**

(52) **U.S. Cl.**
USPC **D24/190**

(58) **Field of Classification Search**
USPC D24/189-192; D29/101.1, 101.2, 122
CPC A61F 5/0118; A61F 5/0123; A61F
2005/0139; A61F 2005/0174; A61F
2005/0181; A61F 2005/0137
See application file for complete search history.

(56) **References Cited**

U.S. PATENT DOCUMENTS

D339,866 S *	9/1993	Rice	D24/190
D340,990 S *	11/1993	Kawamura	D24/190
D357,745 S *	4/1995	Radwell	D24/190
D371,845 S *	7/1996	Varn	D24/190
D477,088 S *	7/2003	Brown	D24/190
D477,409 S *	7/2003	Mills	D24/190
D496,465 S *	9/2004	Weaver, II	D24/190
D581,539 S *	11/2008	Rotter	D24/190
D598,116 S *	8/2009	Vollbrecht	D24/190
D603,969 S *	11/2009	Bauerfeind	D24/190

D645,564 S *	9/2011	Hinds	D24/190
D757,277 S *	5/2016	Chen	D24/190
2015/0018738 A1 *	1/2015	Fried	A61F 5/013 602/21

* cited by examiner

Primary Examiner — George D Krischbaum

Assistant Examiner — Jennifer Watkins

(74) *Attorney, Agent, or Firm* — Garcia-Zamor IP Law;
Ruy M. Garcia-Zamor

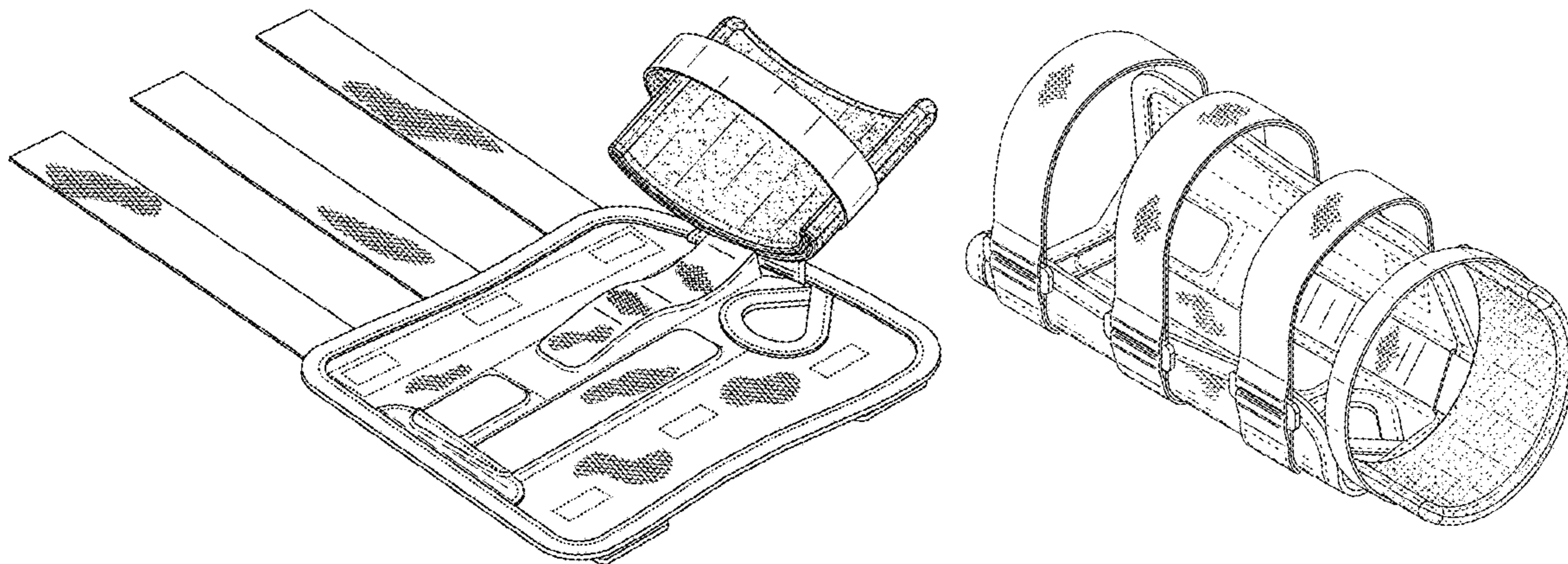
(57) **CLAIM**

I claim the ornamental design for a splint, as shown and described.

DESCRIPTION

FIG. 1 is a top perspective view of a splint according to my new design;
 FIG. 2 is a bottom perspective view of the splint of FIG. 1;
 FIG. 3 is a top plan view of the splint of FIG. 1;
 FIG. 4 is a front elevational view of the splint of FIG. 1;
 FIG. 5 is a bottom plan view of the splint of FIG. 1;
 FIG. 6 is a rear plan view of the splint of FIG. 1;
 FIG. 7 is a left side elevational view of the splint of FIG. 1;
 FIG. 8 is a right side elevational view of the splint of FIG. 1; and,
 FIG. 9 is a perspective view of the splint of FIG. 1.
 The broken lines in FIGS. 1-9 represent stitching and are not part of the claimed design. The dash-dot-dashed lines in FIGS. 1-9 represent portions of the design which are not claimed, and form no part of the claimed design.

1 Claim, 7 Drawing Sheets



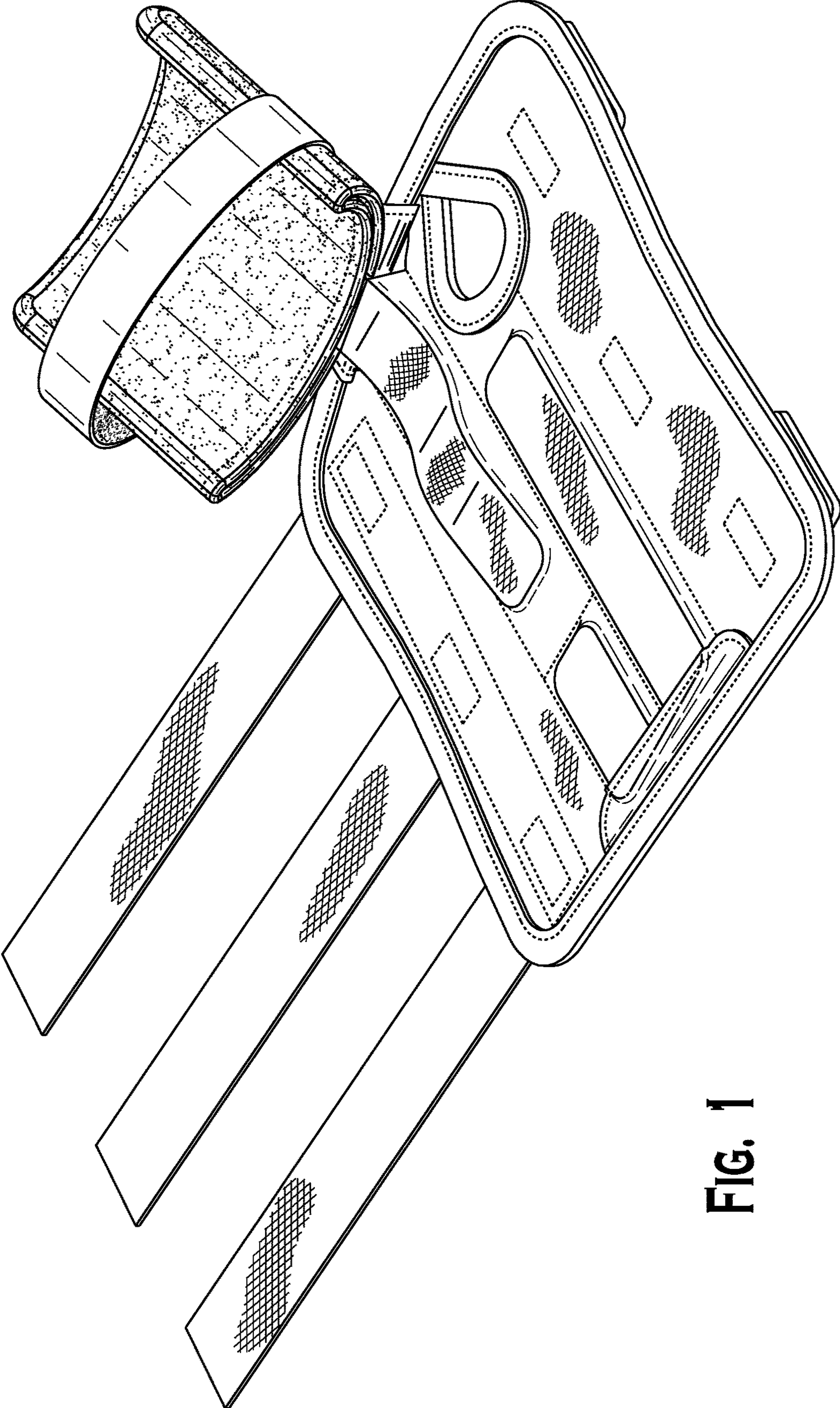


FIG. 1

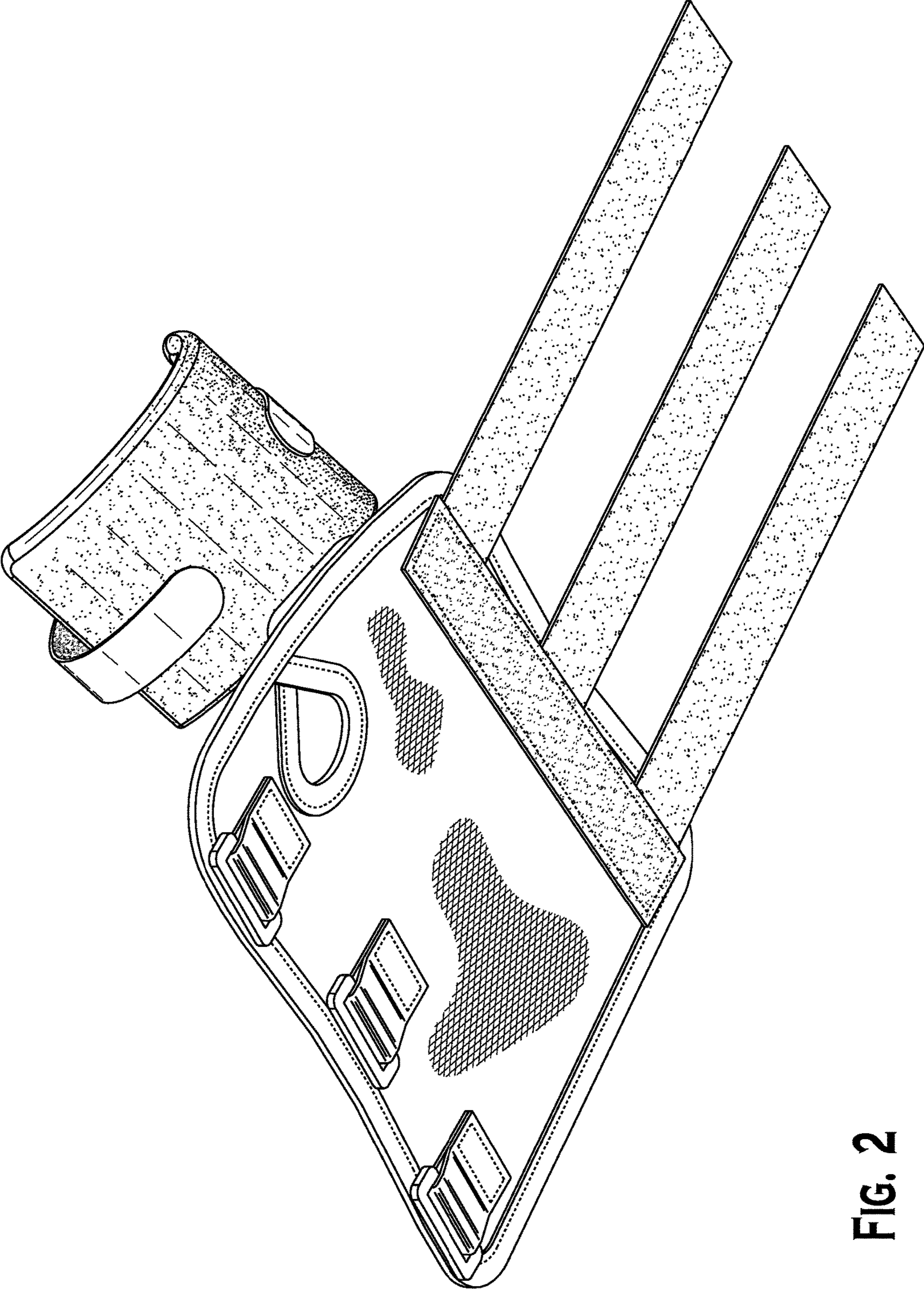
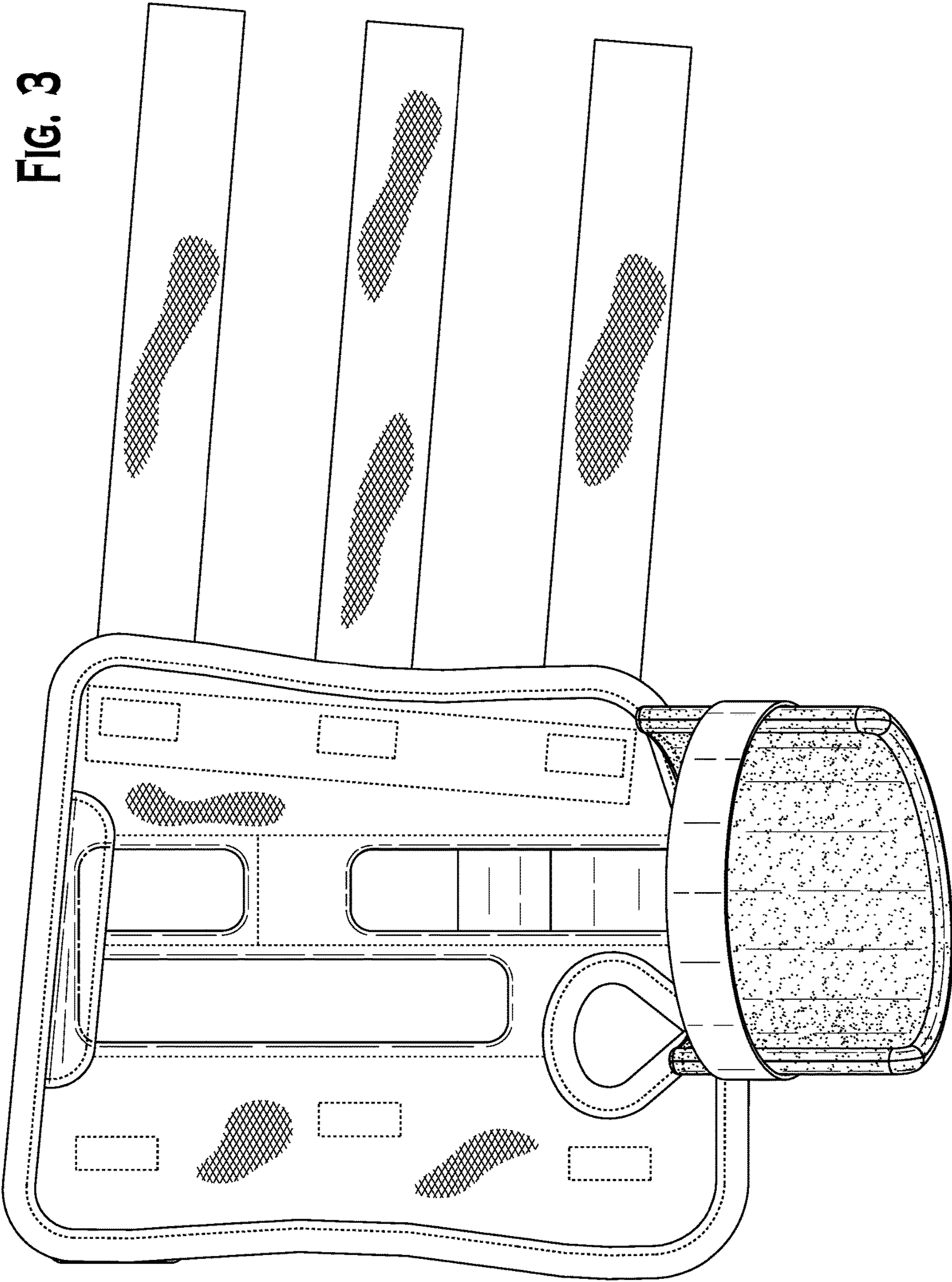


FIG. 2

FIG. 3



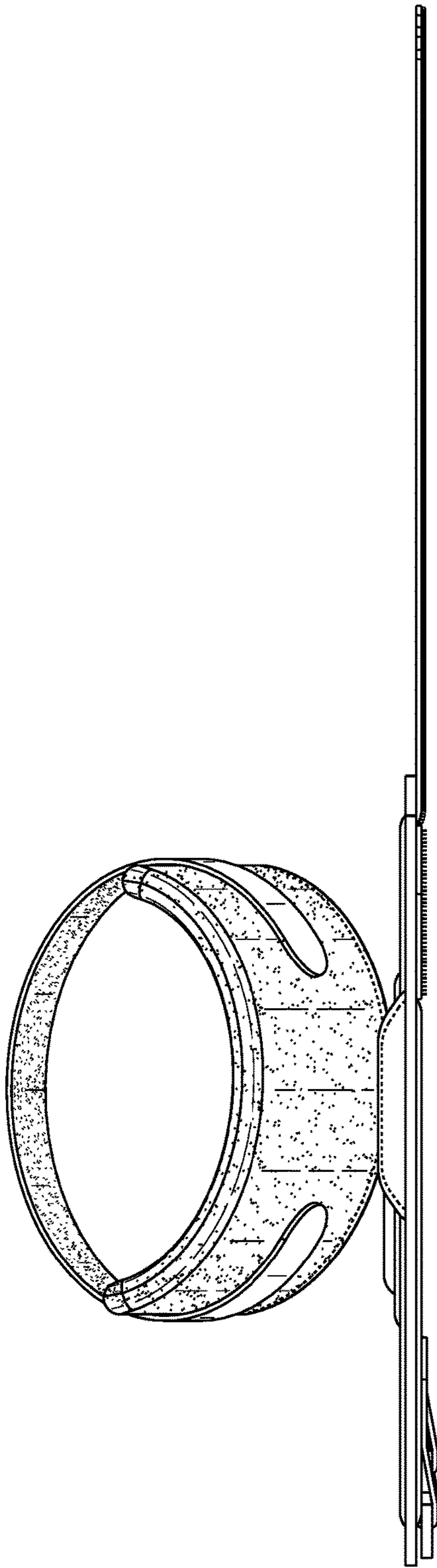


FIG. 4

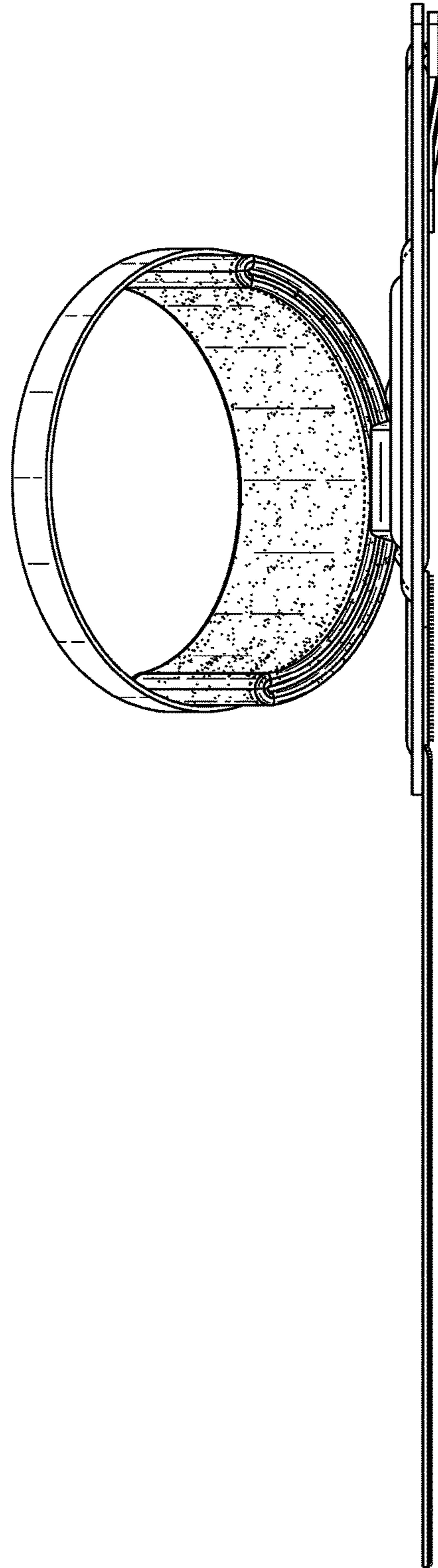
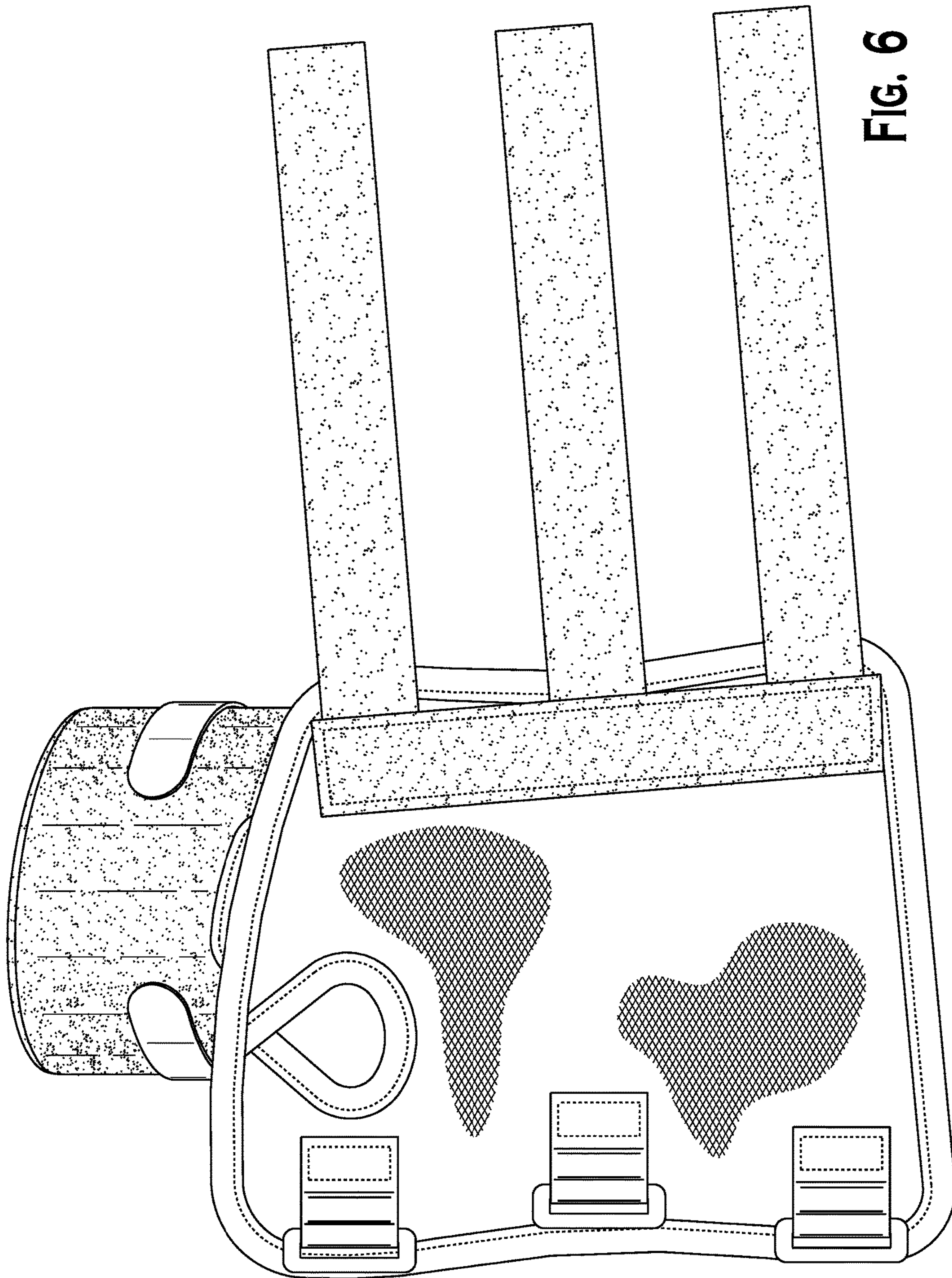


FIG. 5



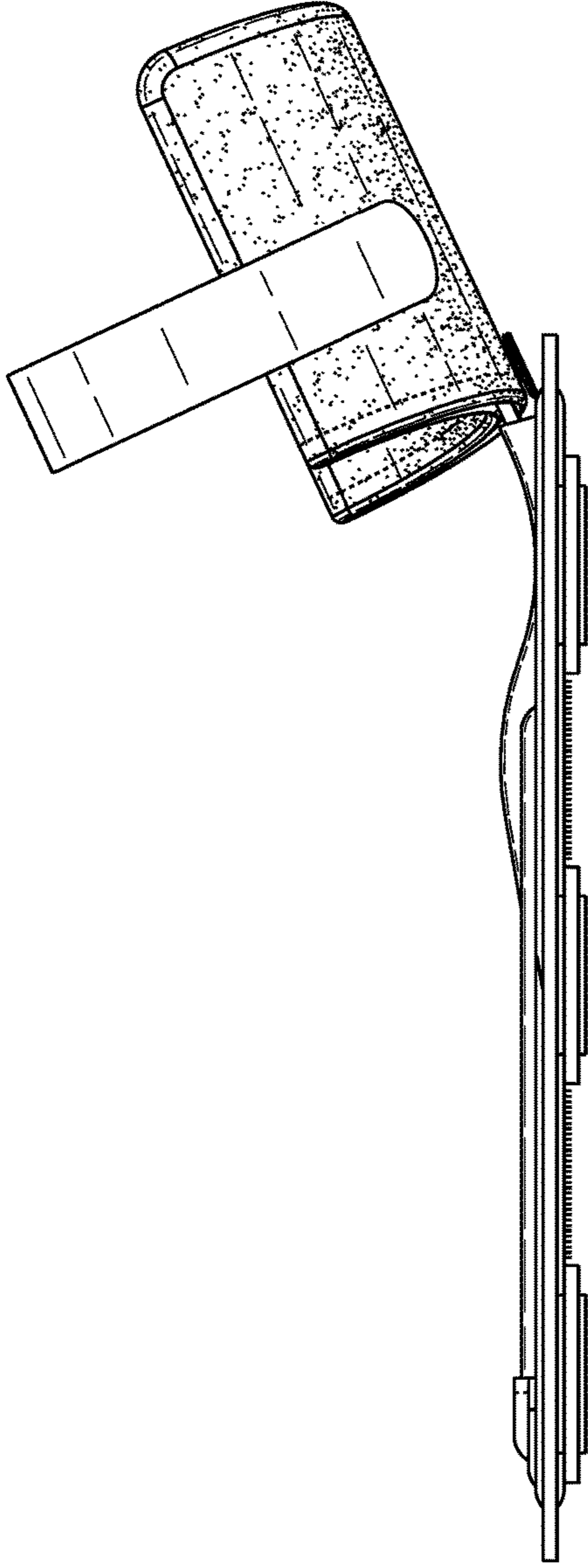


FIG. 7

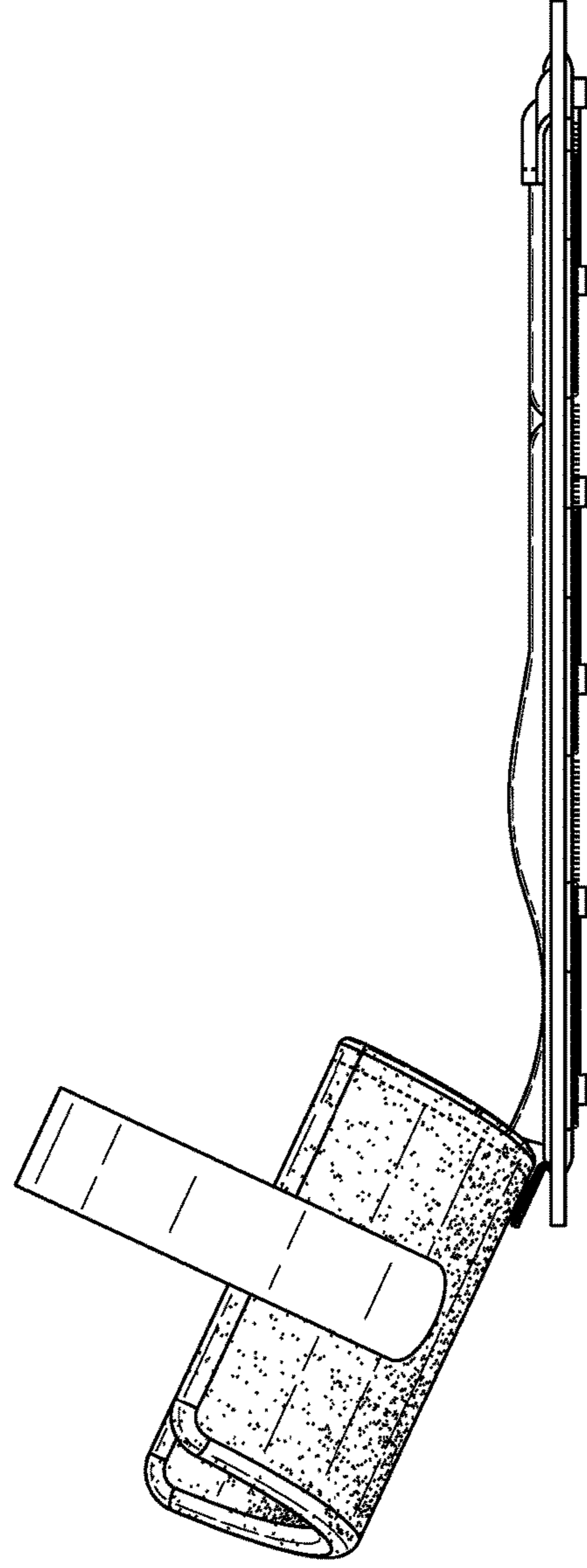


FIG. 8

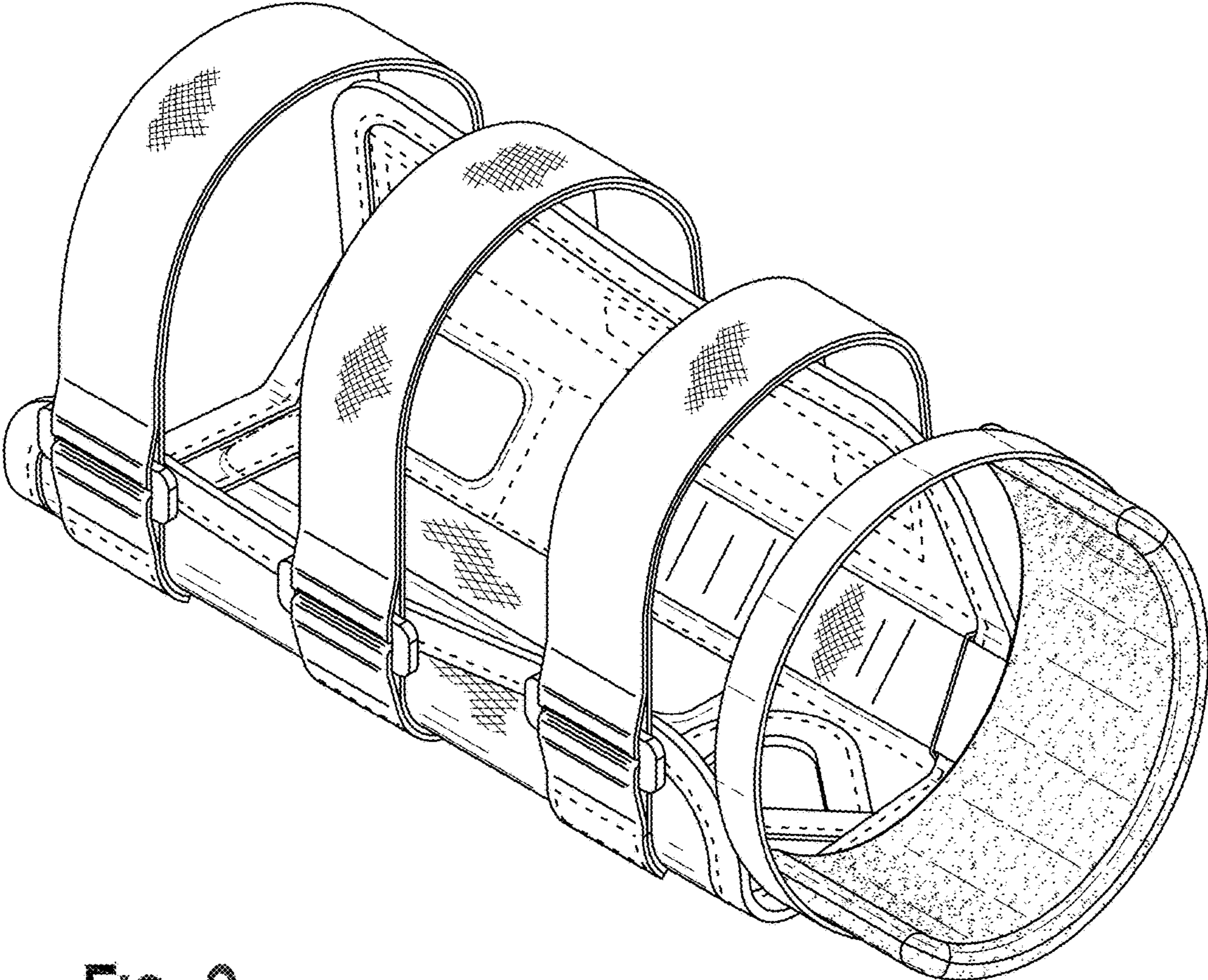


FIG. 9