



US00D779074S

(12) **United States Design Patent**
Lane et al.

(10) **Patent No.:** **US D779,074 S**
(45) **Date of Patent:** **** Feb. 14, 2017**

(54) **ARMREST FOR MEDICAL EXAMINATION TABLE**

(71) Applicant: **MIDMARK CORPORATION**,
Versailles, OH (US)

(72) Inventors: **Richard L. Lane**, Cincinnati, OH (US);
Jeff T. DeBord, Worthington, OH (US);
Rainer B. Teufel, Worthington, OH (US);
Arthur D. Smith, Greenville, OH (US)

(73) Assignee: **Midmark Corporation**, Versailles, OH (US)

(**) Term: **15 Years**

(21) Appl. No.: **29/534,478**

(22) Filed: **Jul. 29, 2015**

(51) **LOC (10) Cl.** **24-01**

(52) **U.S. Cl.**
USPC **D24/184; D6/718.3**

(58) **Field of Classification Search**
USPC D24/183-184, 200, 159; D6/595-596,
D6/601, 604-605, 429, 391-392,
D6/501-503, 610, 382, 718.3, 718, 366;
5/600, 616-621, 5/632, 611, 613, 100,
5/425-430, 185, 689, 713; 601/24;
379/426; 128/202.13, 845-846
CPC A61G 7/0507; A61G 7/00; A61G 7/0525;
A61G 13/107; A61G 13/105; A61G
7/0015; A61G 7/05; A61G 12/001; A61G
7/05746; A61G 7/005; A61G
7/012; A61G 7/018; A61G 7/053; A61G
7/0755; A61B 6/0442; A61B
50/13; A61H 3/04; A47C 21/08
See application file for complete search history.

(56) **References Cited**

U.S. PATENT DOCUMENTS

3,930,273 A * 1/1976 Stern A61G 7/0507
5/100
4,439,880 A * 4/1984 Koncelik A61G 7/0507
5/425

5,179,744 A * 1/1993 Foster A61G 7/00
5/185
5,269,388 A * 12/1993 Reichow G01G 19/445
5/600
5,370,111 A * 12/1994 Reeder A61G 7/0015
128/202.13
5,461,673 A * 10/1995 Coons A61G 7/0507
379/426
5,471,689 A * 12/1995 Shaw A61G 7/0536
5/426
5,623,736 A * 4/1997 Soltani A61G 7/05746
5/689
5,689,839 A * 11/1997 Laganiere A61G 7/0507
5/428
6,058,531 A * 5/2000 Carroll A47C 21/08
5/430
D427,465 S * 7/2000 Thom D6/718
(Continued)

Primary Examiner — Celia Murphy

Assistant Examiner — Mark Cavanna

(74) *Attorney, Agent, or Firm* — Frost Brown Todd LLC

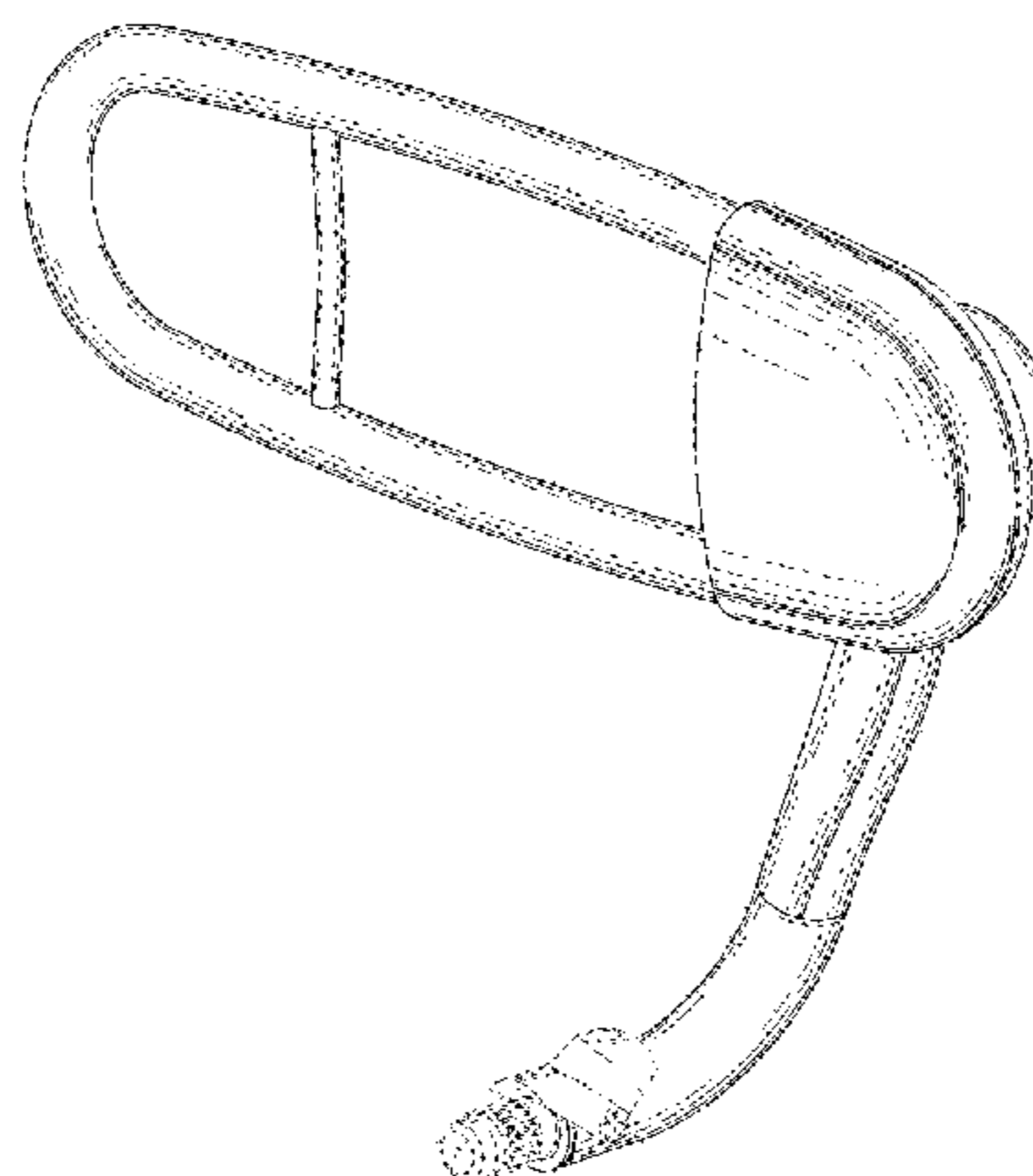
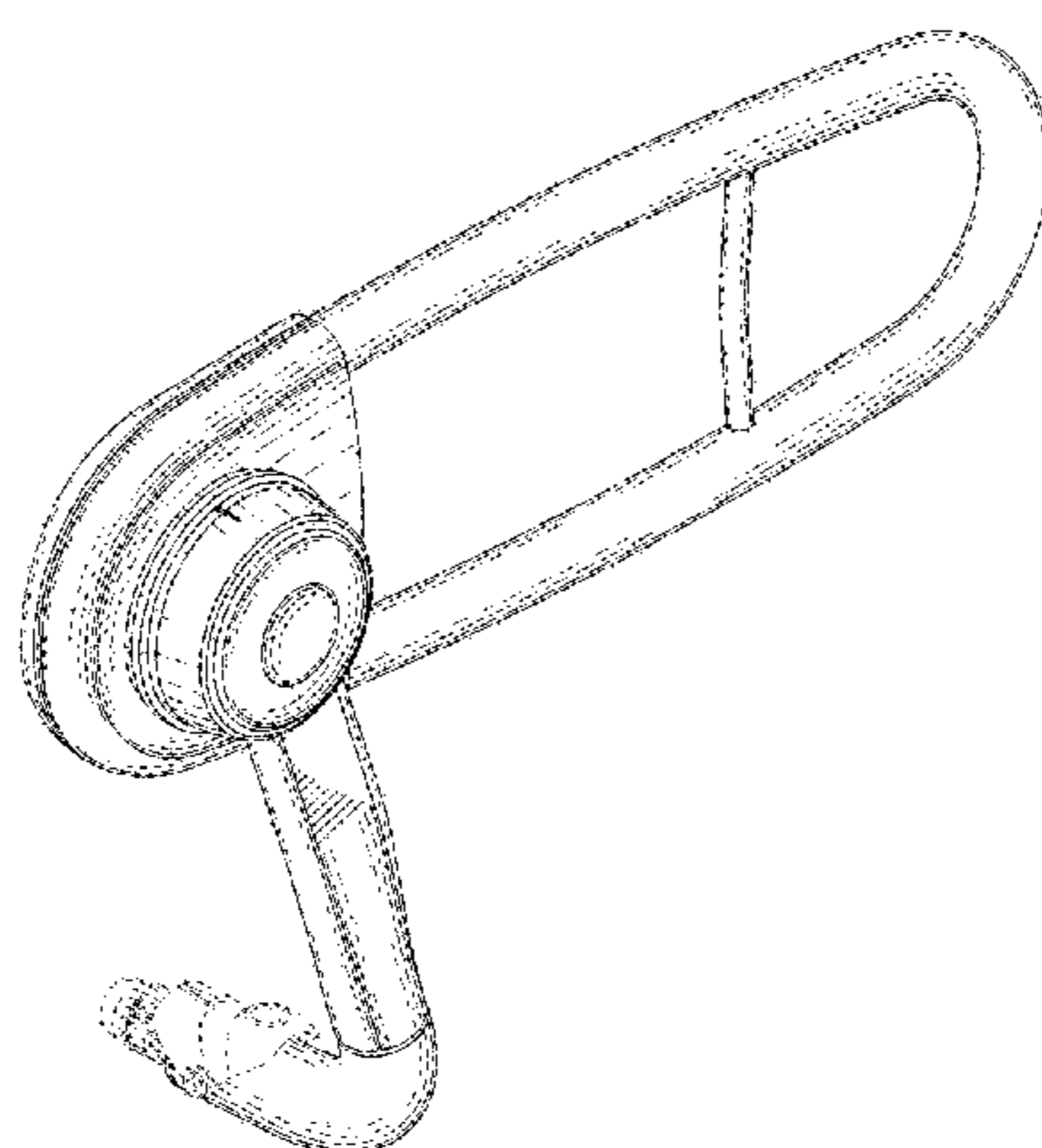
(57) **CLAIM**

The ornamental design for an armrest for medical examination table, as shown and described.

DESCRIPTION

FIG. 1 is a right perspective view of an armrest for medical examination table, showing my/our new design;
FIG. 2 is a left perspective view thereof;
FIG. 3 is a right elevational view thereof;
FIG. 4 is a left elevational view thereof;
FIG. 5 is a front elevational view thereof;
FIG. 6 is a back elevational view thereof;
FIG. 7 is a top plan view thereof; and,
FIG. 8 is a bottom plan view thereof.
The attachment assembly shown in broken lines is unclaimed environment, and forms no part of the claimed design.

1 Claim, 8 Drawing Sheets



(56)

References Cited

U.S. PATENT DOCUMENTS

6,389,622 B1 * 5/2002 Her A61G 7/05
5/425
D468,140 S * 1/2003 Tsai D6/366
6,519,794 B1 * 2/2003 Aarestad A61G 7/0507
5/430
D479,070 S * 9/2003 Goodwin D6/718.3
D506,627 S * 6/2005 Bock D6/366
6,951,036 B2 * 10/2005 Lemire A61G 7/0507
5/425
D627,985 S * 11/2010 Salus D6/391
7,962,979 B1 * 6/2011 Hime A61G 7/05
5/424
D640,887 S * 7/2011 Heimbrock D6/718.3
D706,427 S * 6/2014 Leng D24/183
D710,509 S * 8/2014 Leng D24/184
D710,510 S * 8/2014 Leng D24/184
2002/0002742 A1 * 1/2002 Osborne A61G 7/005
5/600
2002/0138904 A1 * 10/2002 Wong A61B 6/0442
5/713
2006/0059621 A1 * 3/2006 Poulos A61G 7/005
5/430
2007/0136949 A1 * 6/2007 Richards A61G 7/05
5/600
2008/0127415 A1 * 6/2008 Ruschke A61G 7/0507
5/428

* cited by examiner

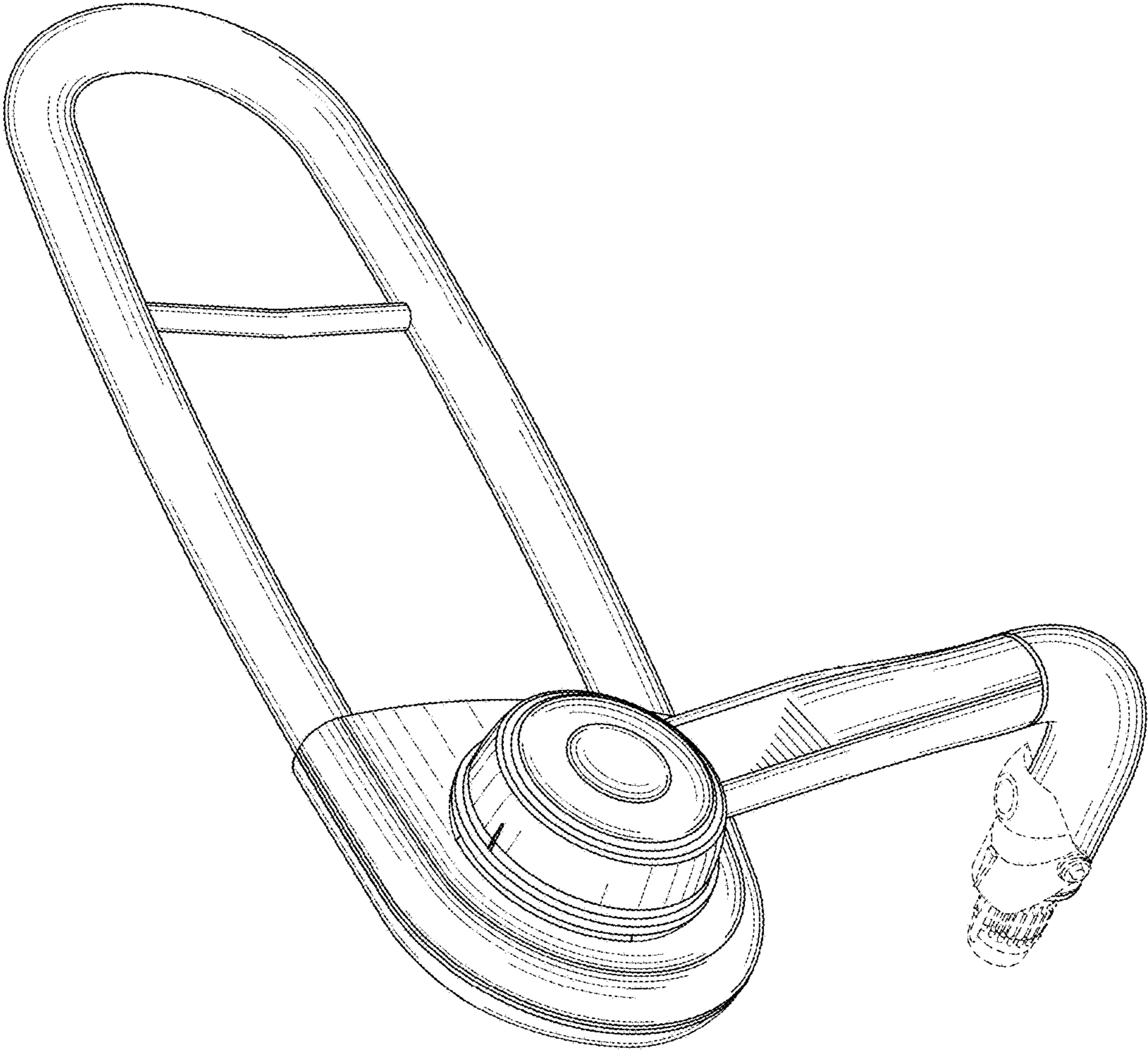


Fig. 1

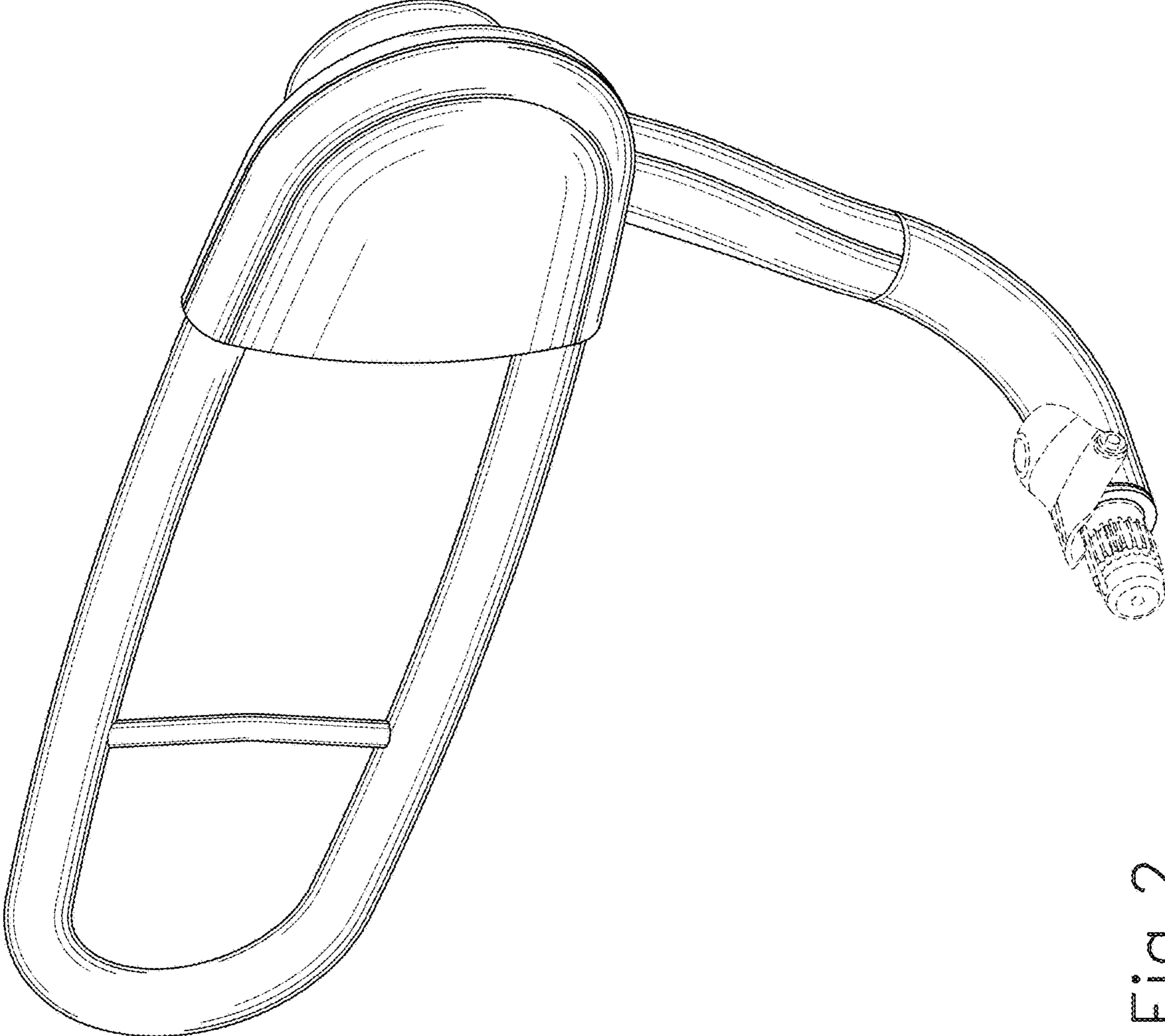


Fig. 2

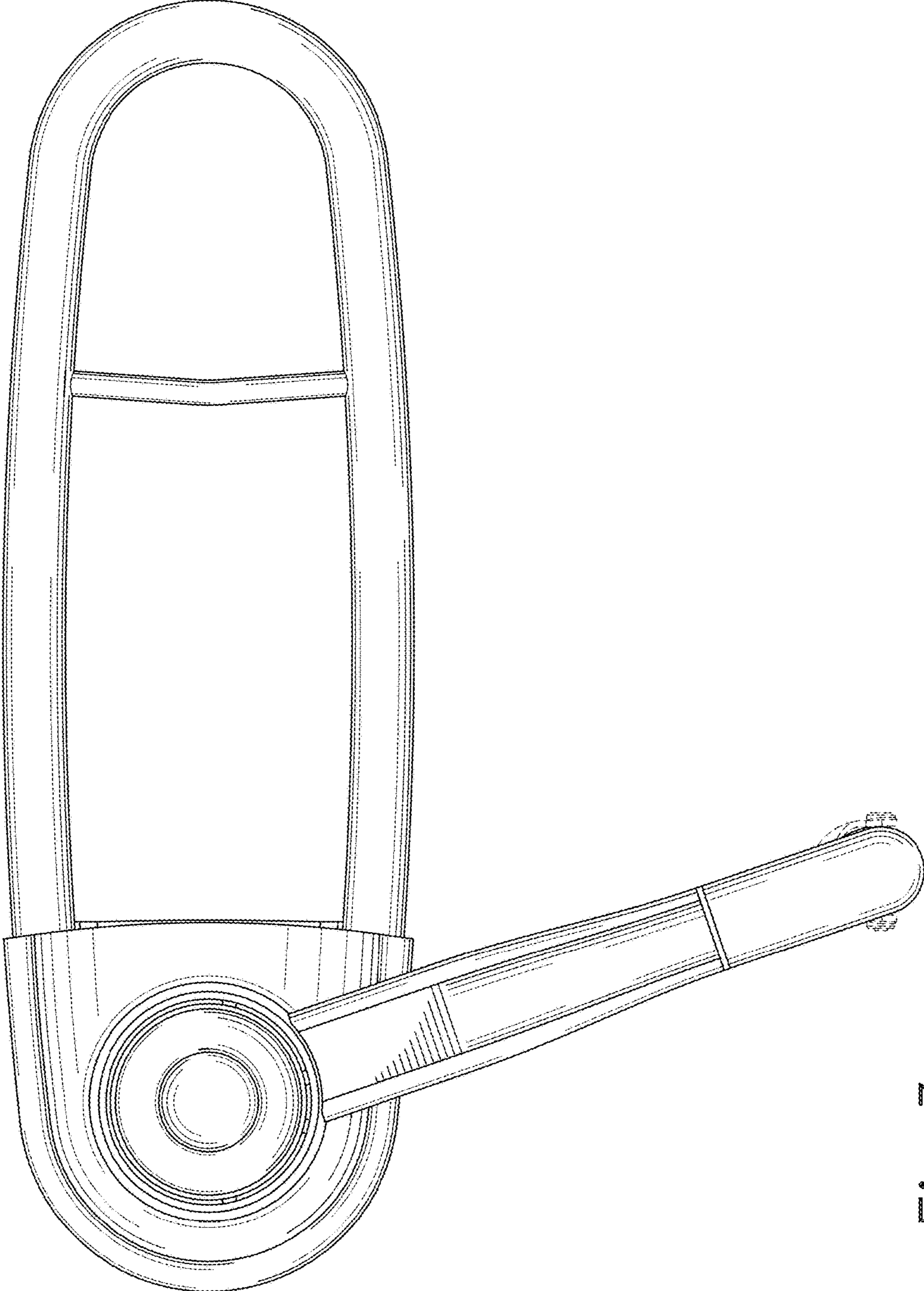


Fig. 3

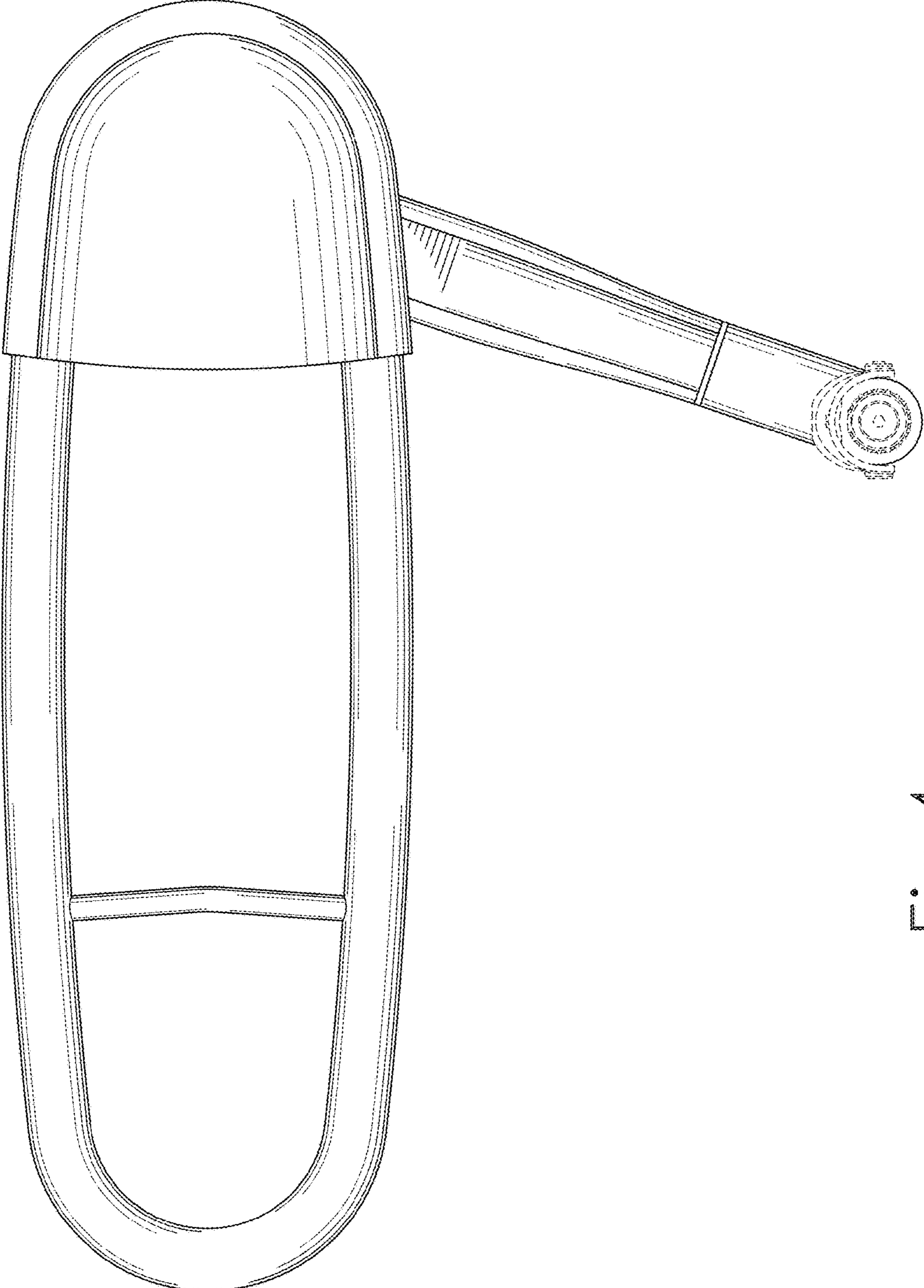


Fig. 4

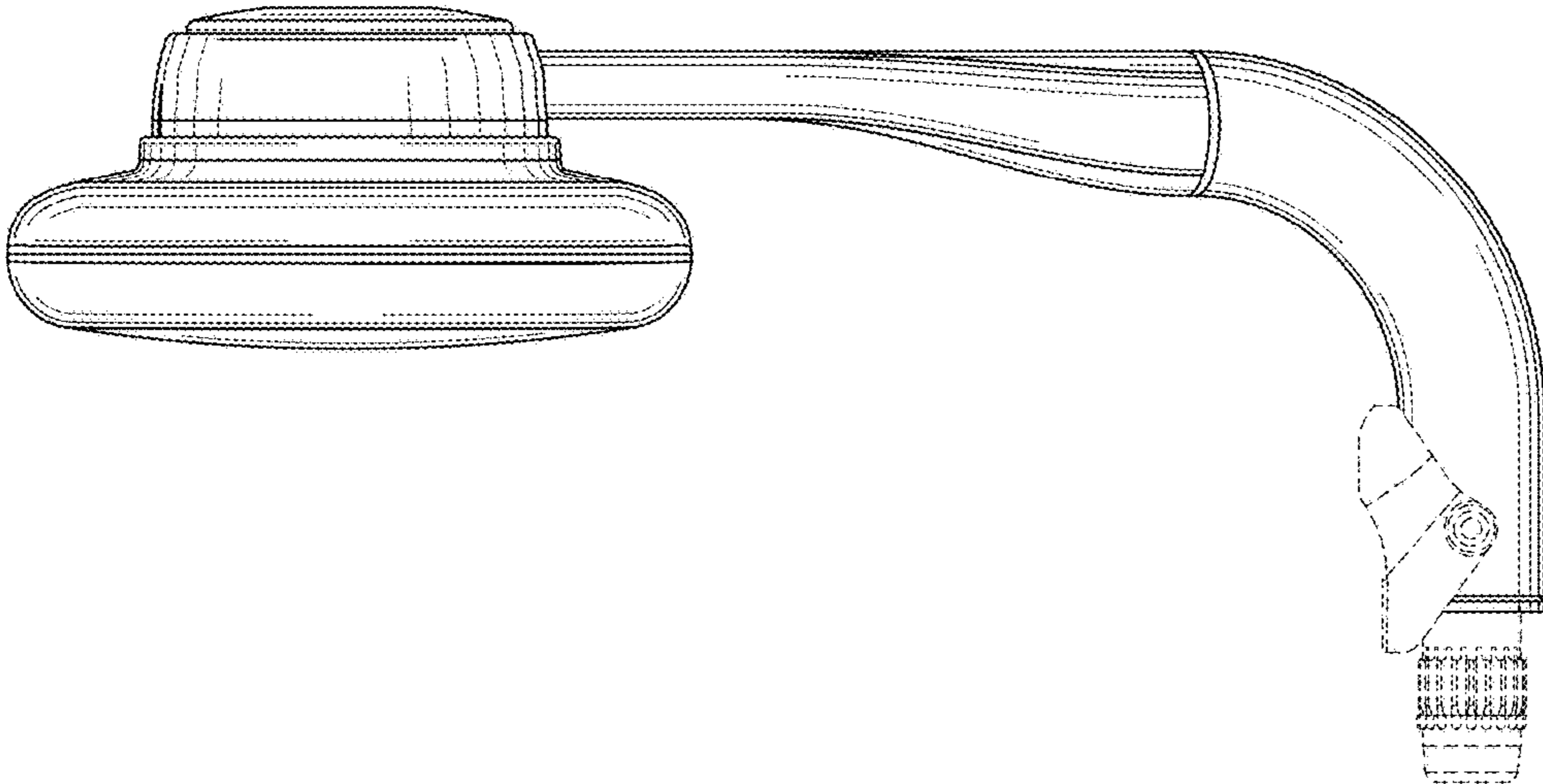


Fig. 5

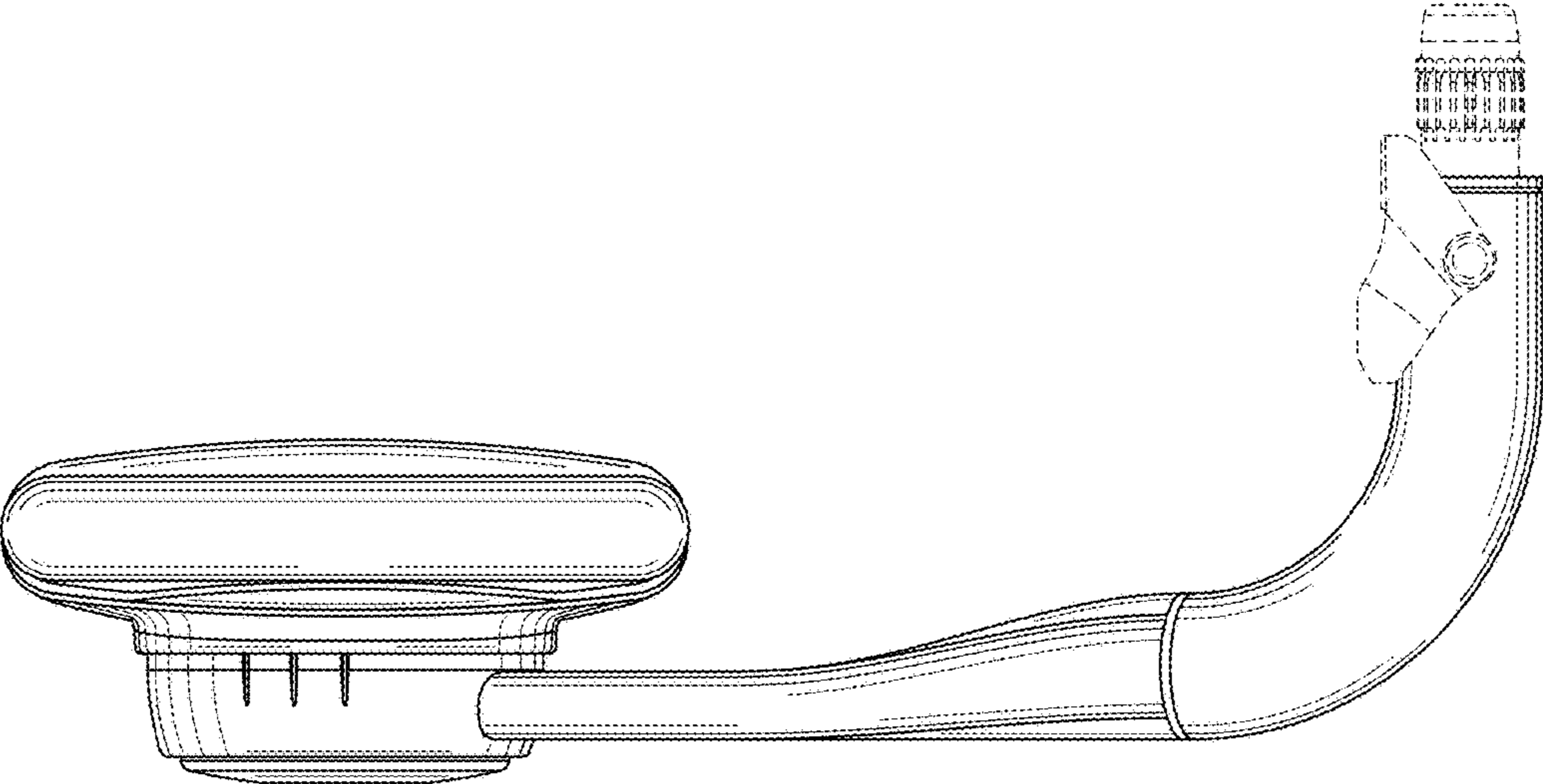


Fig. 6

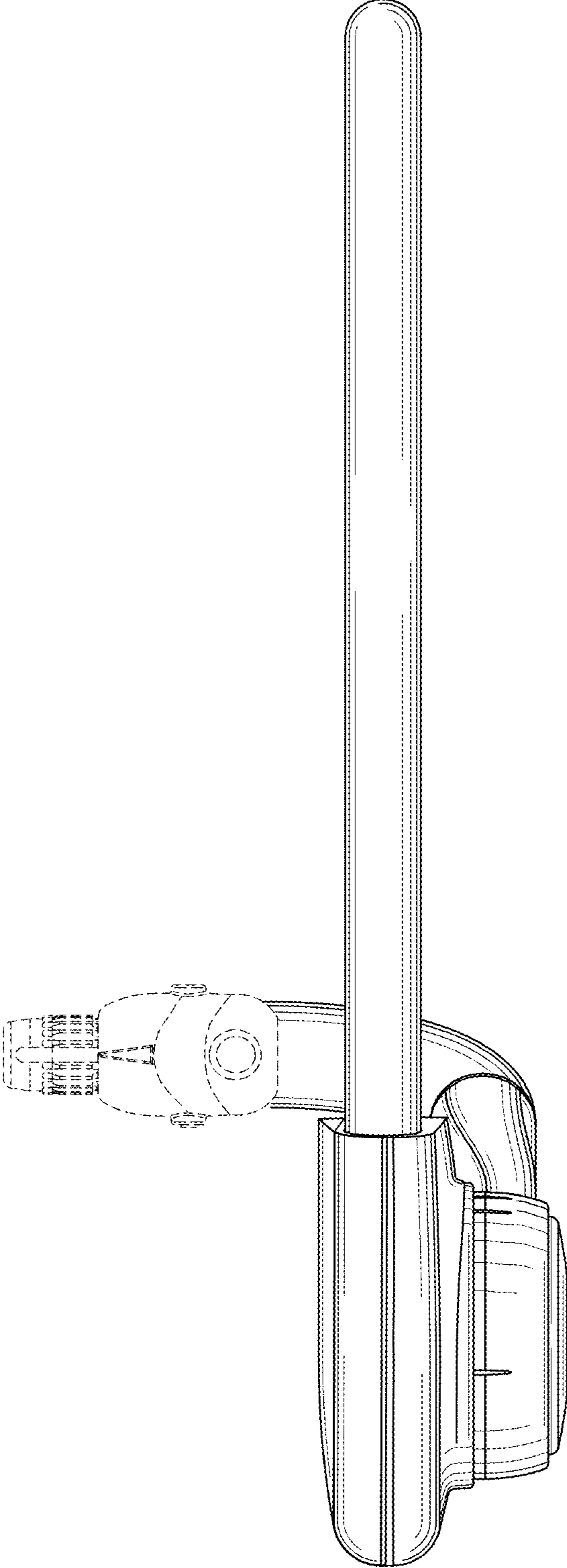


Fig. 7

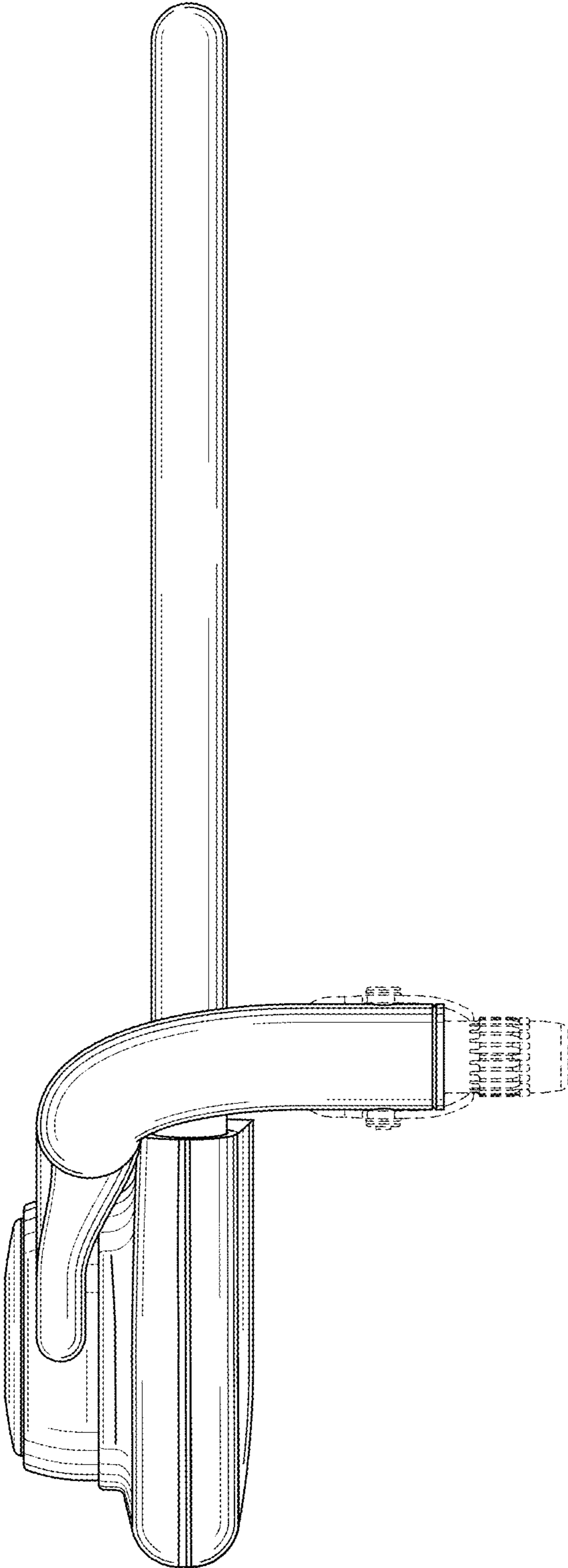


Fig. 8