



US00D779072S

(12) **United States Design Patent** (10) **Patent No.:** **US D779,072 S**  
**Pratt, Jr. et al.** (45) **Date of Patent:** **\*\* Feb. 14, 2017**

(54) **THERAPEUTIC VAPORIZER INSERT**

FOREIGN PATENT DOCUMENTS

(71) Applicant: **1READY, LLC**, San Diego, CA (US)

AT 249853 10/2003  
AT 489981 12/2010

(72) Inventors: **Robert Irving Pratt, Jr.**, El Cajon, CA (US); **Joshua Smith Young**, Bartlesville, OK (US)

(Continued)

(73) Assignee: **1READY, LLC**, San Diego, CA (US)

Extended Supplementary European Search Report issued Feb. 26, 2016 in EP 11 82 7570; which is related to the present application.

(\*\*) Term: **15 Years**

(Continued)

(21) Appl. No.: **29/538,464**

*Primary Examiner* — Susan Bennett Hattan

(22) Filed: **Sep. 3, 2015**

*Assistant Examiner* — Janice Hallmark

(74) *Attorney, Agent, or Firm* — Knobbe, Martens, Olson & Bear, LLP

**Related U.S. Application Data**

(63) Continuation of application No. 29/446,005, filed on Feb. 19, 2013, now Pat. No. Des. 752,807.

(51) **LOC (10) Cl.** ..... **27-02**

(52) **U.S. Cl.**  
USPC ..... **D24/167**; D24/110; D23/362

(58) **Field of Classification Search**  
USPC ..... D23/360–363, 366, 356; D24/110; D27/101, 162–168, 194; 392/386, 390, 392/391, 394; 128/203.26, 203.22  
CPC ..... A61M 16/00; A61M 16/0054; A61M 16/0069; A24F 1/30  
See application file for complete search history.

OTHER PUBLICATIONS

(57) **CLAIM**

The ornamental design for a therapeutic vaporizer insert, as shown and described.

**DESCRIPTION**

FIG. 1 is a top left perspective view of a therapeutic vaporizer insert;  
FIG. 2 is a top view of the therapeutic vaporizer insert of FIG. 1;  
FIG. 3 is a bottom view of the therapeutic vaporizer insert of FIG. 1;  
FIG. 4 is a front view of the therapeutic vaporizer insert of FIG. 1;  
FIG. 5 is a rear view of the therapeutic vaporizer insert of FIG. 1;  
FIG. 6 is a left side view of the therapeutic vaporizer insert of FIG. 1; and,  
FIG. 7 is a right side view of the therapeutic vaporizer insert of FIG. 1.  
The broken lines in the drawings depict portions of the therapeutic vaporizer insert that form no part of the claimed design.

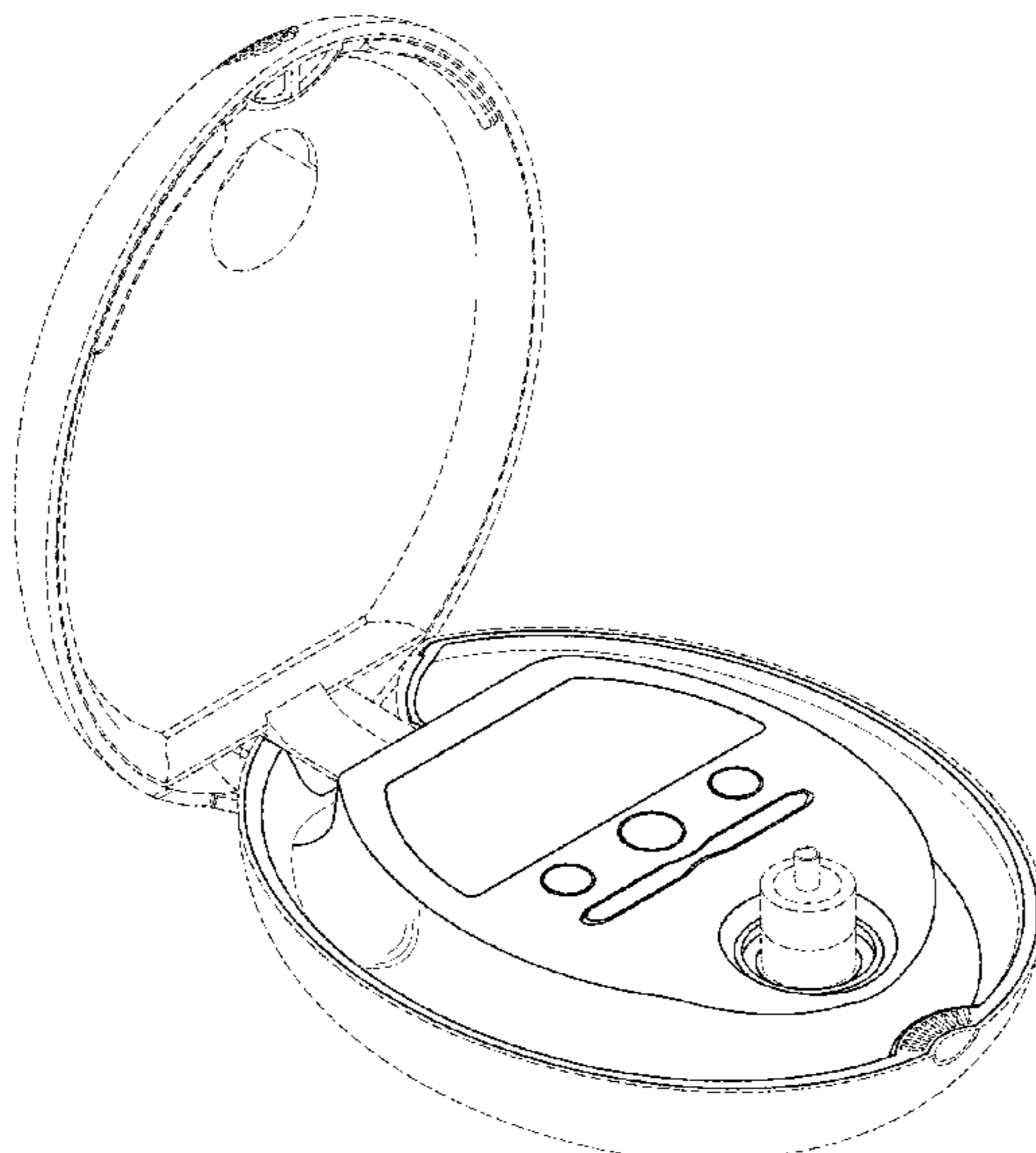
(56) **References Cited**

U.S. PATENT DOCUMENTS

1,968,509 A 7/1934 Tiffany  
2,057,353 A 10/1936 Whittemore  
D221,657 S 8/1971 Katzman  
D237,198 S 10/1975 Dollen  
5,195,514 A 3/1993 Liu et al.  
D374,922 S 10/1996 Moore  
D374,923 S 10/1996 Moore

(Continued)

**1 Claim, 7 Drawing Sheets**



(56)

References Cited

U.S. PATENT DOCUMENTS

D421,109 S 2/2000 Wolfe  
 D424,677 S 5/2000 Chen  
 D425,975 S 5/2000 Wolfe  
 6,095,153 A 8/2000 Kessler et al.  
 6,158,431 A 12/2000 Poole  
 D443,350 S 6/2001 Delmenico et al.  
 D450,116 S 11/2001 Dal Toso  
 6,413,476 B1 7/2002 Barnhart  
 6,513,524 B1 2/2003 Storz  
 D510,135 S 9/2005 Mariotti  
 D511,568 S 11/2005 Wheatley  
 D535,002 S 1/2007 Caserta et al.  
 D576,724 S 9/2008 Jensen et al.  
 D583,463 S 12/2008 Wood et al.  
 D591,411 S 4/2009 Weisbeck  
 7,840,122 B1 11/2010 Hanrahan et al.  
 D637,280 S 5/2011 Harvey et al.  
 D639,414 S 6/2011 Berndt  
 D642,733 S 8/2011 Sweitzer  
 D649,237 S 11/2011 Bilko et al.  
 D680,208 S 4/2013 Gordon  
 D680,684 S 4/2013 Enshiwat  
 8,474,663 B2 7/2013 Westphal  
 D698,429 S 1/2014 Jorgensen  
 D700,316 S 2/2014 Nichols  
 D703,300 S 4/2014 Lee  
 8,715,210 B2 5/2014 Orlando  
 D713,971 S 9/2014 Nichols  
 D719,248 S 12/2014 Smith et al.  
 D742,492 S \* 11/2015 Robinson ..... D23/360  
 D752,807 S \* 3/2016 Young ..... D23/362  
 2002/0158351 A1 10/2002 Wohrle  
 2003/0209246 A1 11/2003 Schroeder et al.  
 2004/0099266 A1 5/2004 Cross et al.  
 2004/0211418 A1 10/2004 Shayan  
 2004/0241053 A1 12/2004 Thompson  
 2006/0283449 A1 12/2006 Balch et al.  
 2007/0045288 A1 3/2007 Nelson  
 2007/0125765 A1 6/2007 Nelson  
 2007/0169776 A1 7/2007 Kepler  
 2008/0023003 A1 1/2008 Rosenthal  
 2008/0029099 A1 2/2008 Storz  
 2008/0053979 A1 \* 3/2008 Toya ..... A61F 7/007  
 2009/0078253 A1 3/2009 Bao ..... 219/201

2009/0293892 A1 12/2009 Williams  
 2010/0012118 A1 1/2010 Storz  
 2010/0176213 A1 7/2010 Belongia  
 2011/0103776 A1 5/2011 Jorgensen  
 2012/0222696 A1 9/2012 Nichols  
 2013/0174842 A1 7/2013 Young et al.  
 2014/0158129 A1 \* 6/2014 Pratt, Jr. .... A61M 16/0078  
 128/203.26

FOREIGN PATENT DOCUMENTS

CA	2671604	1/2010
DE	29806239	9/1998
DE	19803376	10/1999
DE	10042396	3/2002
DE	102006017787	10/2007
DE	502006008441	1/2011
EP	933093	8/1999
EP	1845368	10/2007
EP	1884254	2/2008
EP	2145643	1/2010
ES	2355983	4/2011
JP	2004-531555 A	10/2004
JP	5920940	4/2016
WO	WO 02/094218 A2	11/2002
WO	WO 2008/015918	2/2008
WO	WO 2008/050434 A1	5/2008
WO	WO 2010/035581 A1	4/2010
WO	WO 2012/040512	3/2012

OTHER PUBLICATIONS

International Search Report and Written Opinion in PCT Application No. PCT/US11/52835, dated Apr. 5, 2012, filed Sep. 22, 2011. Video at [http://www.youtube.com/watch?v=Zo0VS\\_-VFIM](http://www.youtube.com/watch?v=Zo0VS_-VFIM) (posted Sep. 20, 2011); now available at <http://web.archive.org/web/20111006152537/http://www.clovershield.com/about/>. First Office Action issued by the Japanese Patent Office in JP 2013-530330, which is related to the present application. Notice of Allowance (with English translation) issued by the Japanese Patent Office (JPO) on Mar. 22, 2016 in JP 2013-530330; which is related to the present application. Notification to Grant Patent Right for Invention issued by the State Intellectual Property Office of China on Jul. 4, 2016 in CN 2011800544310; which is related to the present application.

\* cited by examiner

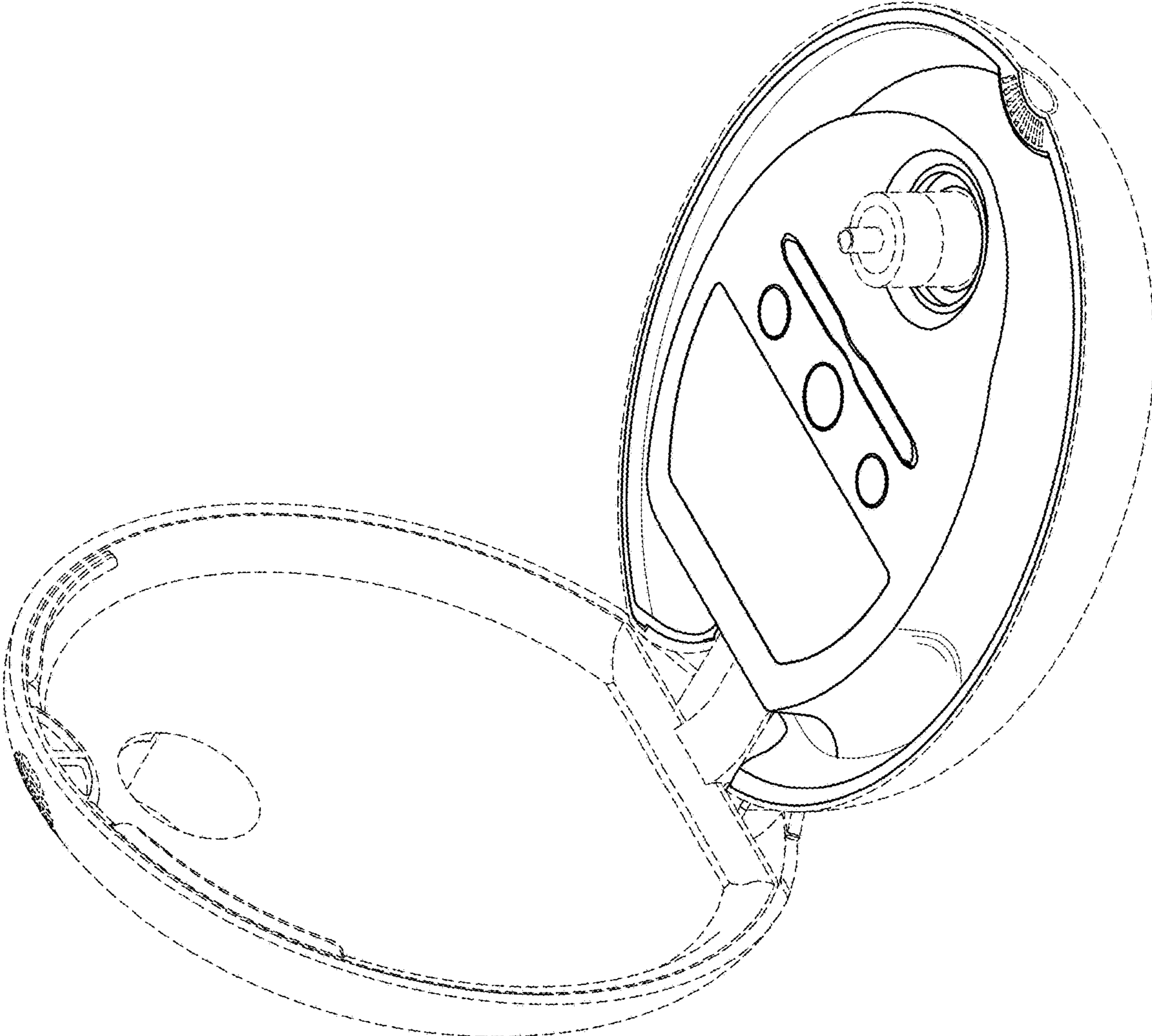


FIG. 1

FIG. 2

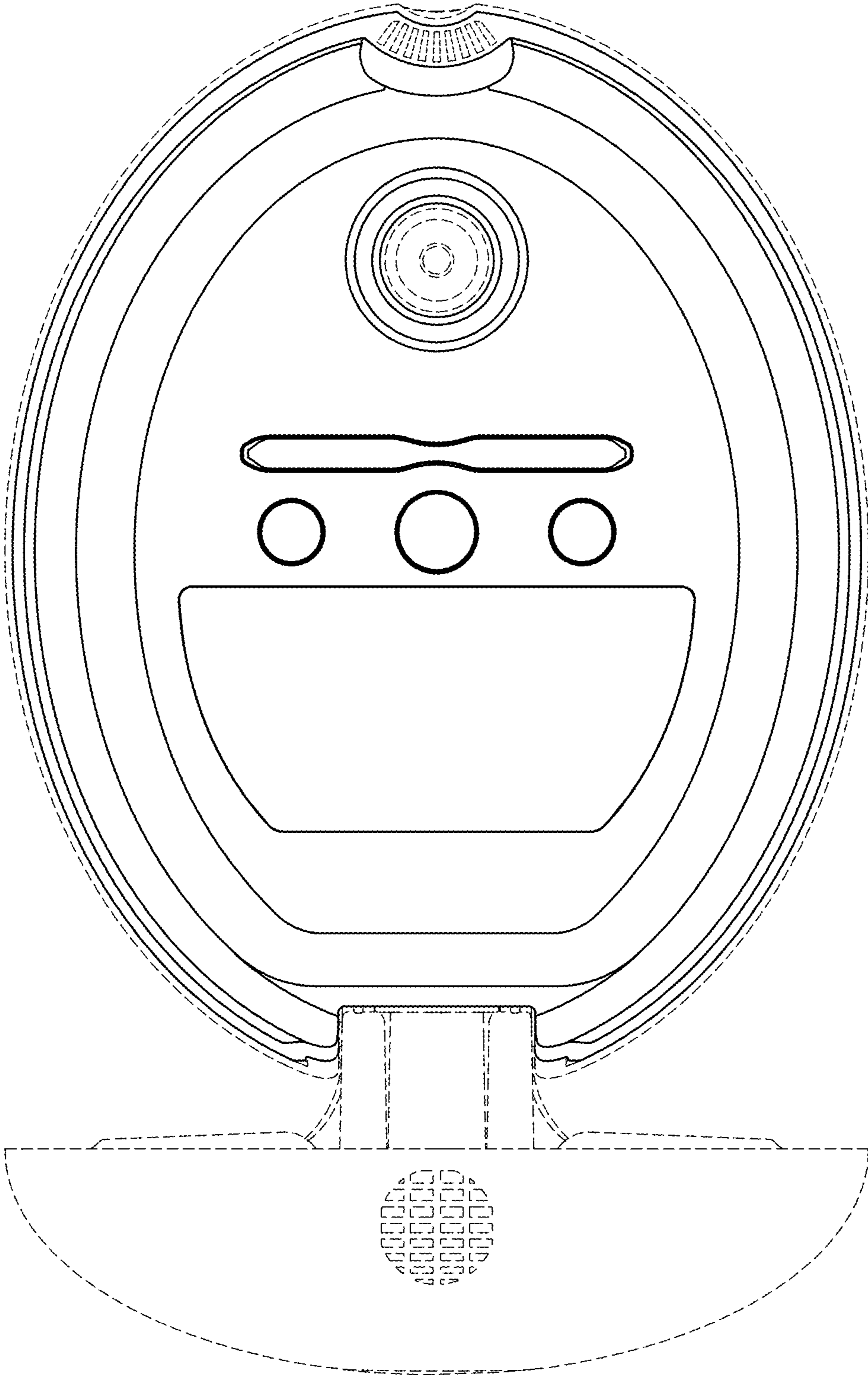
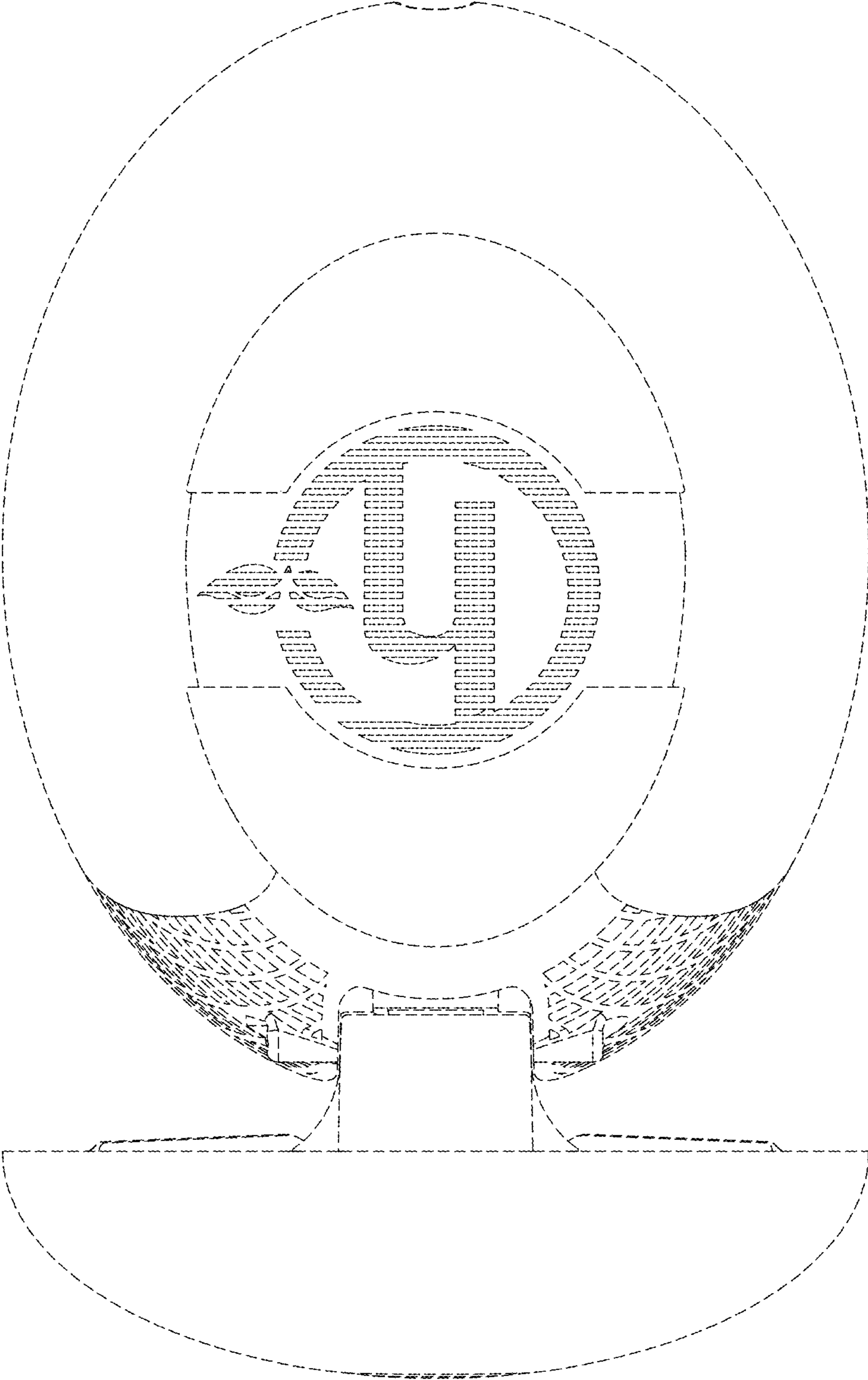


FIG. 3



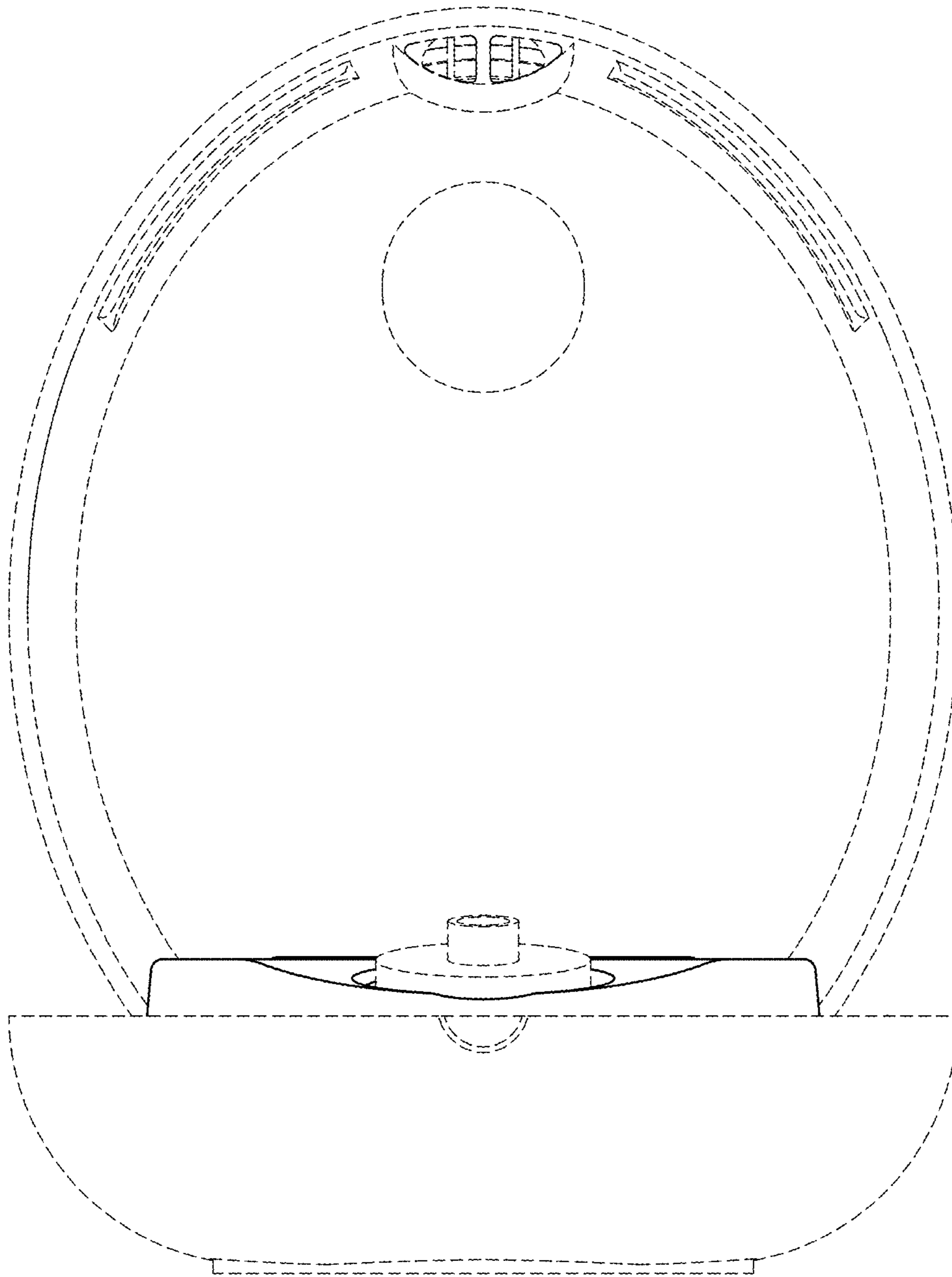


FIG. 4

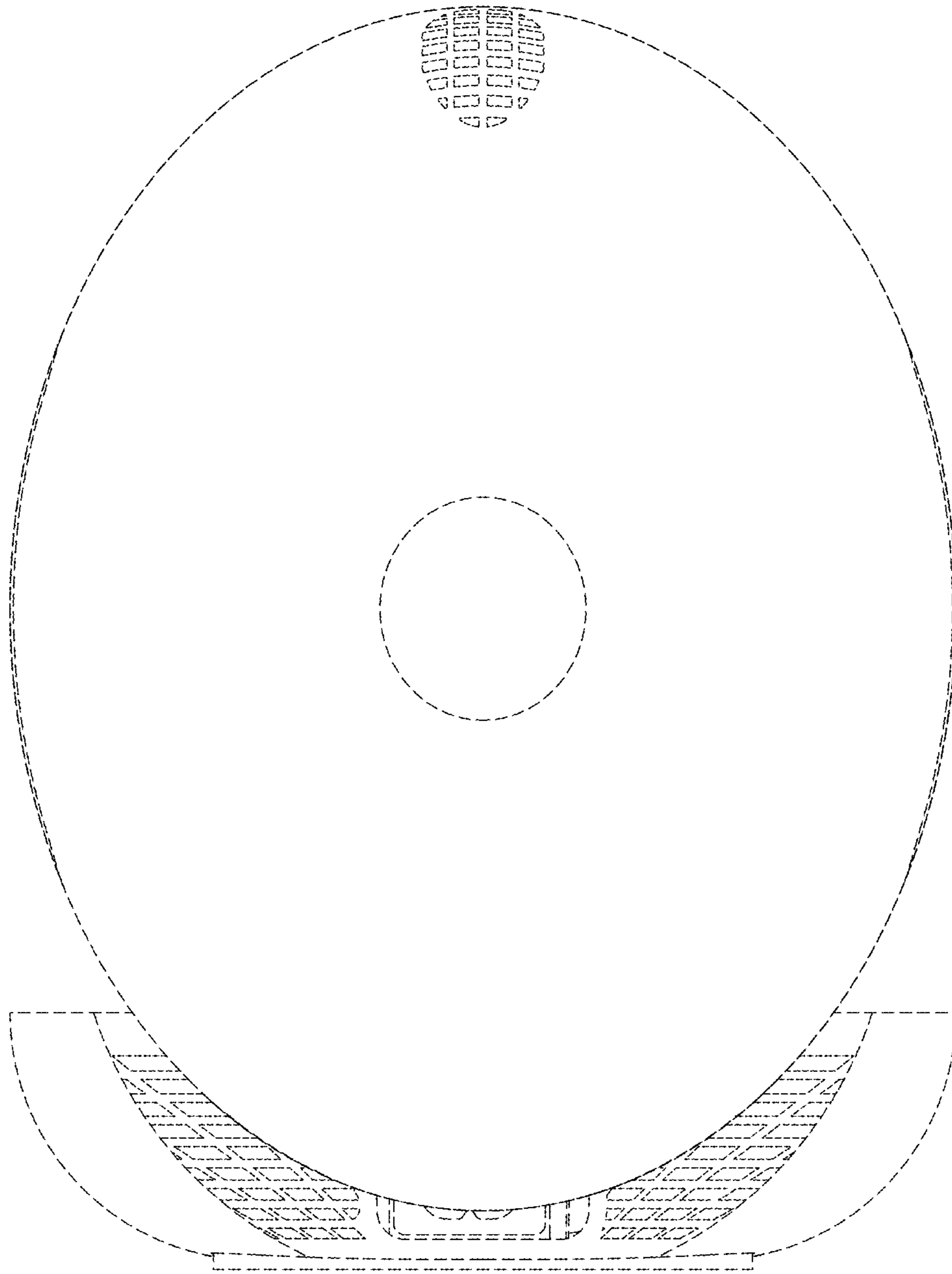


FIG. 5

FIG. 6

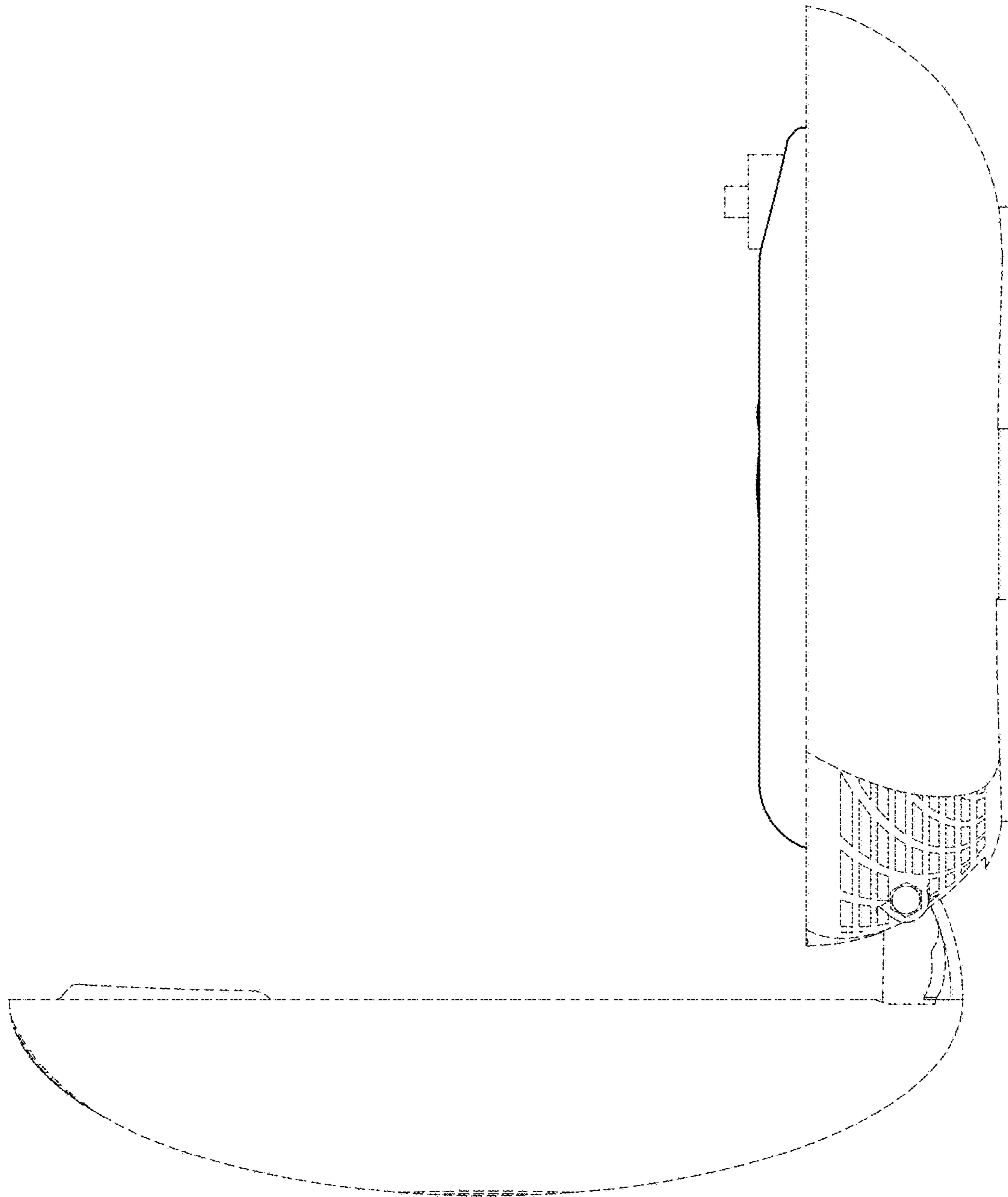




FIG. 7

