



US00D779070S

(12) **United States Design Patent**
Graziani

(10) **Patent No.:** **US D779,070 S**

(45) **Date of Patent:** **** Feb. 14, 2017**

(54) **IMAGING SYSTEM WITH AN NM AND CT DETECTOR AND HAVING ILLUMINATED STRIPS**

D701,311 S * 3/2014 Ohmukai D24/158
D703,321 S * 4/2014 Wodecki D24/158
D706,424 S * 6/2014 Banryu D24/158
D750,253 S * 2/2016 Liu D24/158

(Continued)

(71) Applicant: **General Electric Company**,
Schenectady, NY (US)

Primary Examiner — Anhdao Doan

(72) Inventor: **Stephane Graziani**, Buc (FR)

(74) *Attorney, Agent, or Firm* — Alleman Hall McCoy
Russell & Tuttle LLP

(73) Assignee: **General Electric Company**,
Schenectady, NY (US)

(57) **CLAIM**

The ornamental design for an imaging system with an NM and CT detector and having illuminated strips, as shown and described.

(**) Term: **15 Years**

DESCRIPTION

(21) Appl. No.: **29/540,632**

FIG. 1 is a front perspective view of a design for an imaging system with an NM and CT detector and having illuminated strips according to the present invention.

(22) Filed: **Sep. 25, 2015**

FIG. 2 is a front view of the imaging system with an NM and CT detector and having illuminated strips of FIG. 1.

(51) **LOC (10) Cl.** **24-01**

(52) **U.S. Cl.**
USPC **D24/158**

(58) **Field of Classification Search**

USPC D24/158-161, 185, 186, 107

CPC A61B 6/032; A61B 6/4405; A61B 6/4411;

A61B 6/4429; A61B 6/4435; A61B

6/4441; A61B 6/4447; A61B 6/484

See application file for complete search history.

FIG. 3 is a back view of the imaging system with an NM and CT detector and having illuminated strips of FIG. 1.

FIG. 4 is a left side view of the imaging system with an NM and CT detector and having illuminated strips of FIG. 1.

FIG. 5 is a right side view of the imaging system with an NM and CT detector and having illuminated strips of FIG. 1.

FIG. 6 is a top view of the imaging system with an NM and CT detector and having illuminated strips of FIG. 1; and,

FIG. 7 is bottom view of the imaging system with an NM and CT detector and having illuminated strips of FIG. 1.

The broken lines in the drawings are included for the purpose of illustrating portions of the imaging system with an NM and CT detector and having illuminated strips that form no part of the claimed design. The radiating lines shown from the illuminated strips represent illumination.

(56) **References Cited**

U.S. PATENT DOCUMENTS

6,249,563 B1 * 6/2001 Snyder G01N 23/046
378/19

D628,699 S * 12/2010 Dietz D24/159

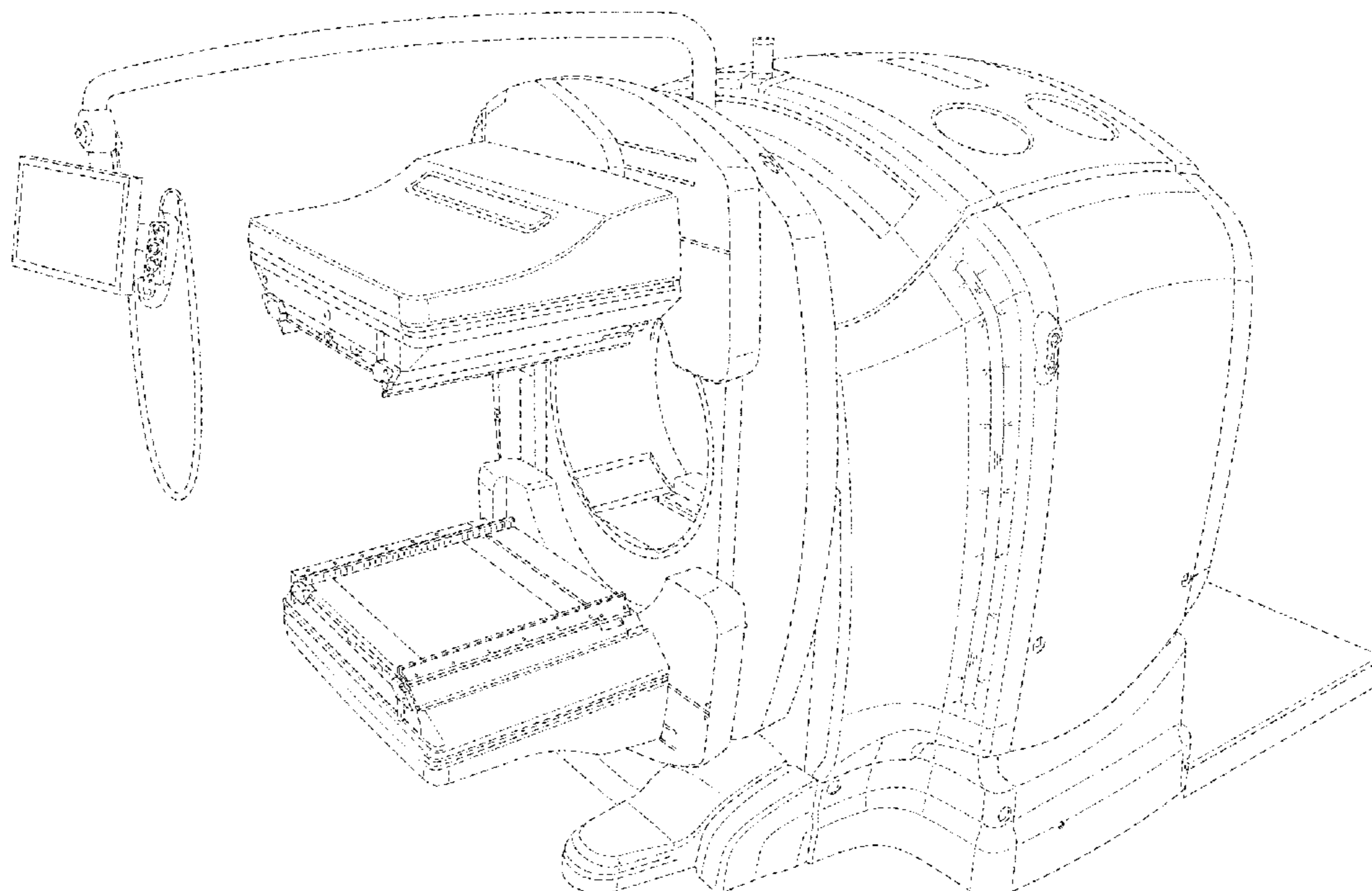
D649,250 S * 11/2011 Ishihara D24/158

D659,248 S * 5/2012 Ramos D24/159

D681,207 S * 4/2013 Ninomiya D24/158

D683,026 S * 5/2013 Banryu D24/158

1 Claim, 7 Drawing Sheets



(56)

References Cited

U.S. PATENT DOCUMENTS

2007/0076842 A1* 4/2007 Tkaczyk A61B 6/032
378/5

* cited by examiner

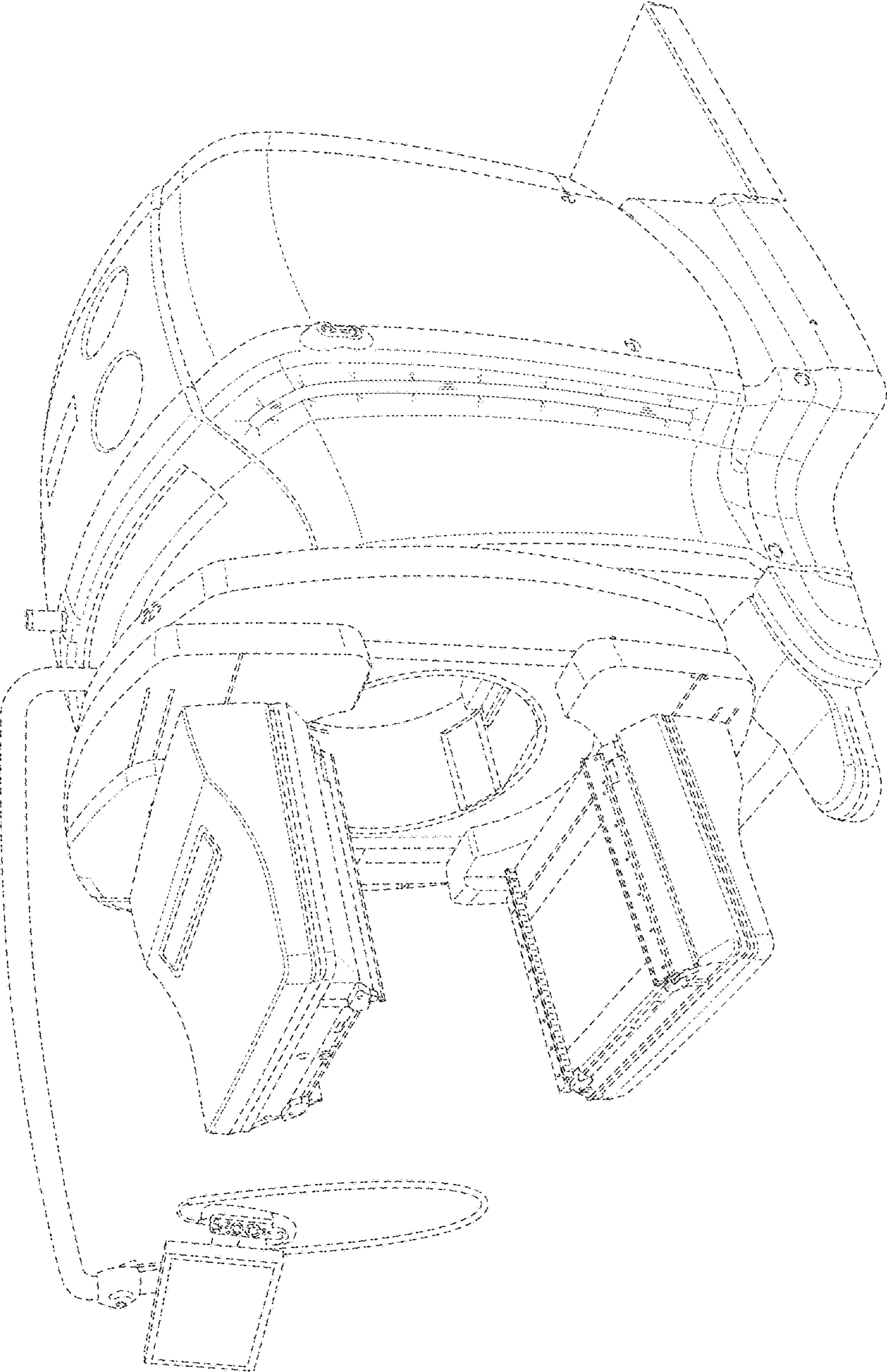


FIG. 1

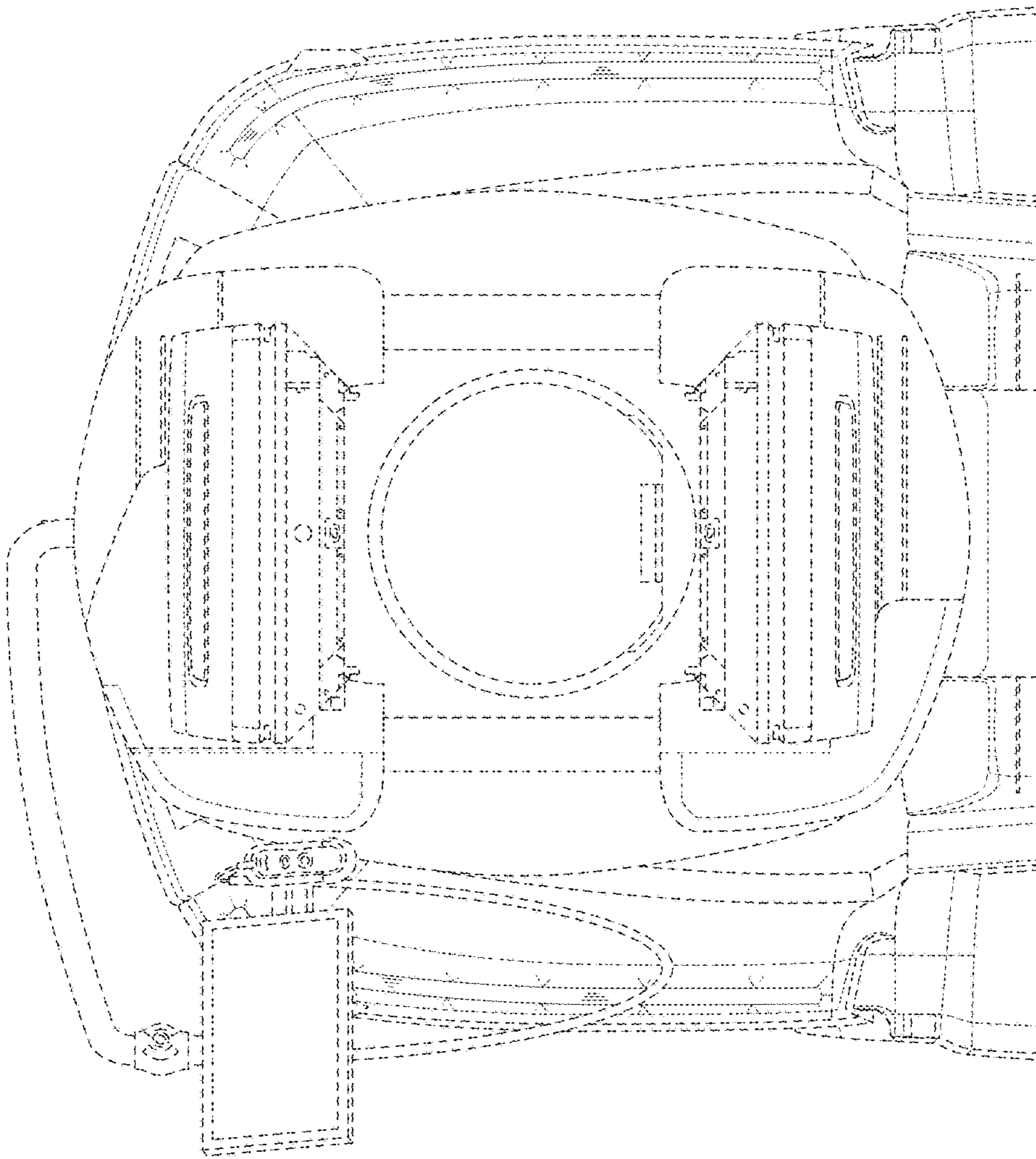


FIG. 2

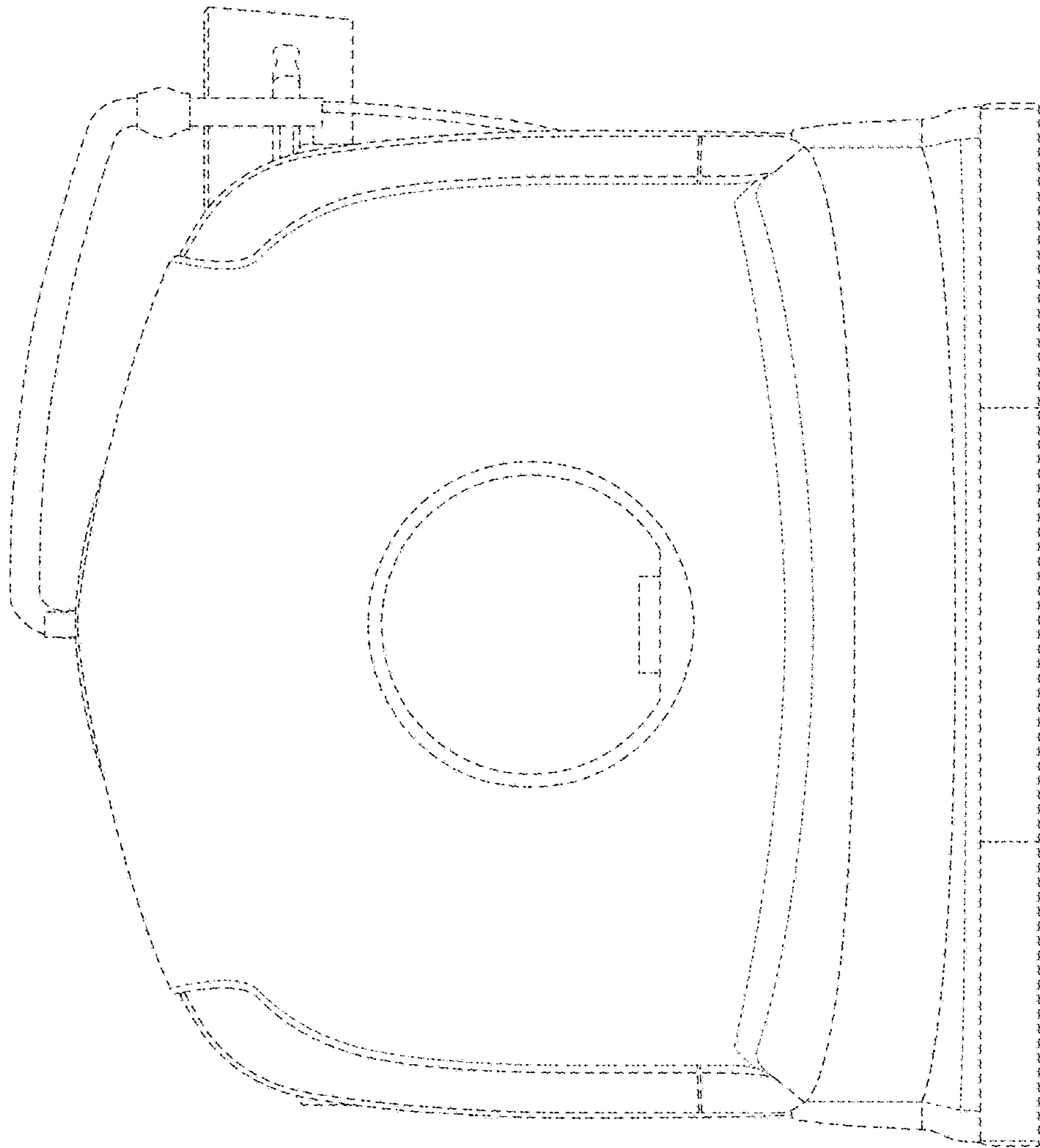


FIG. 3

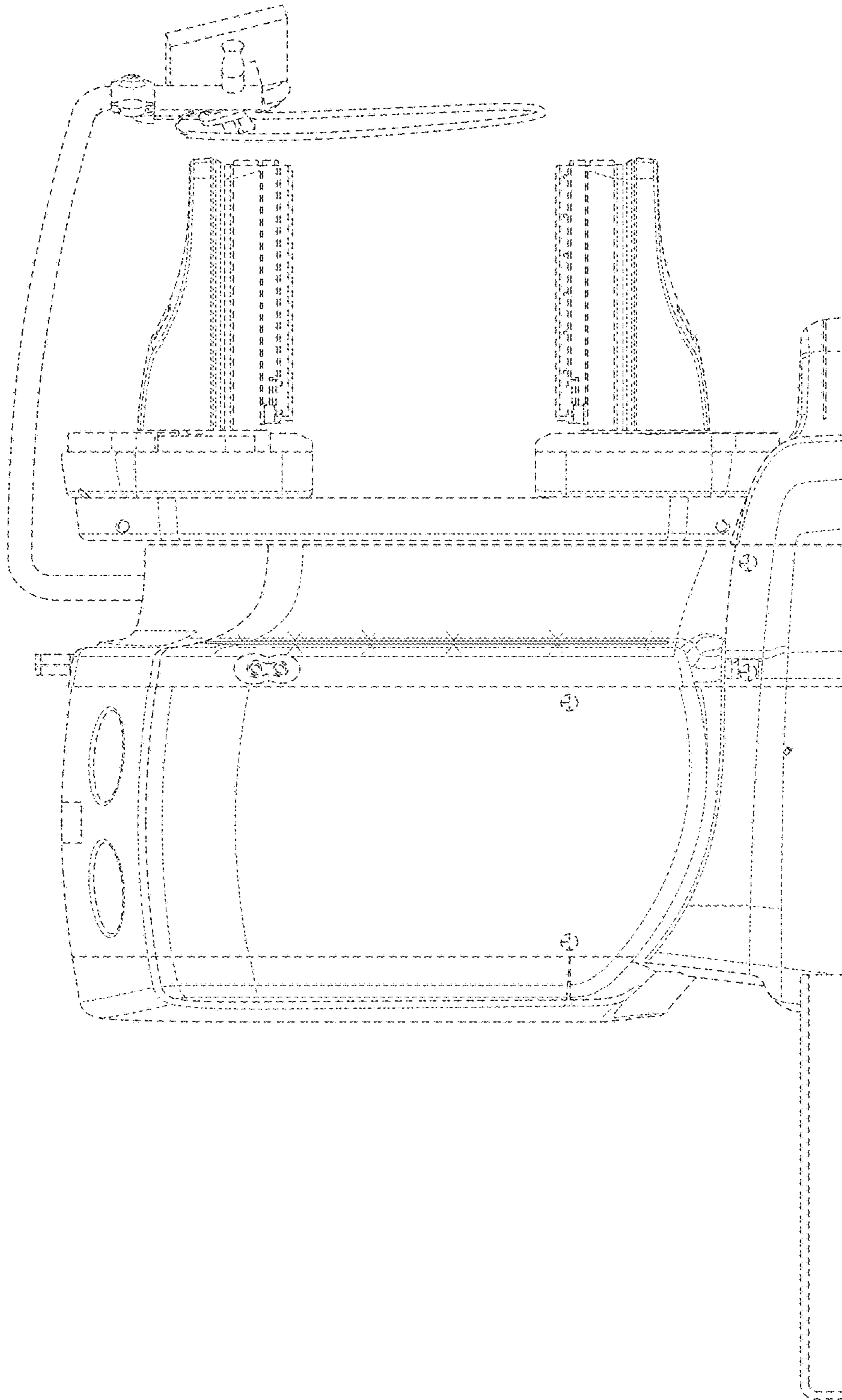


FIG. 4

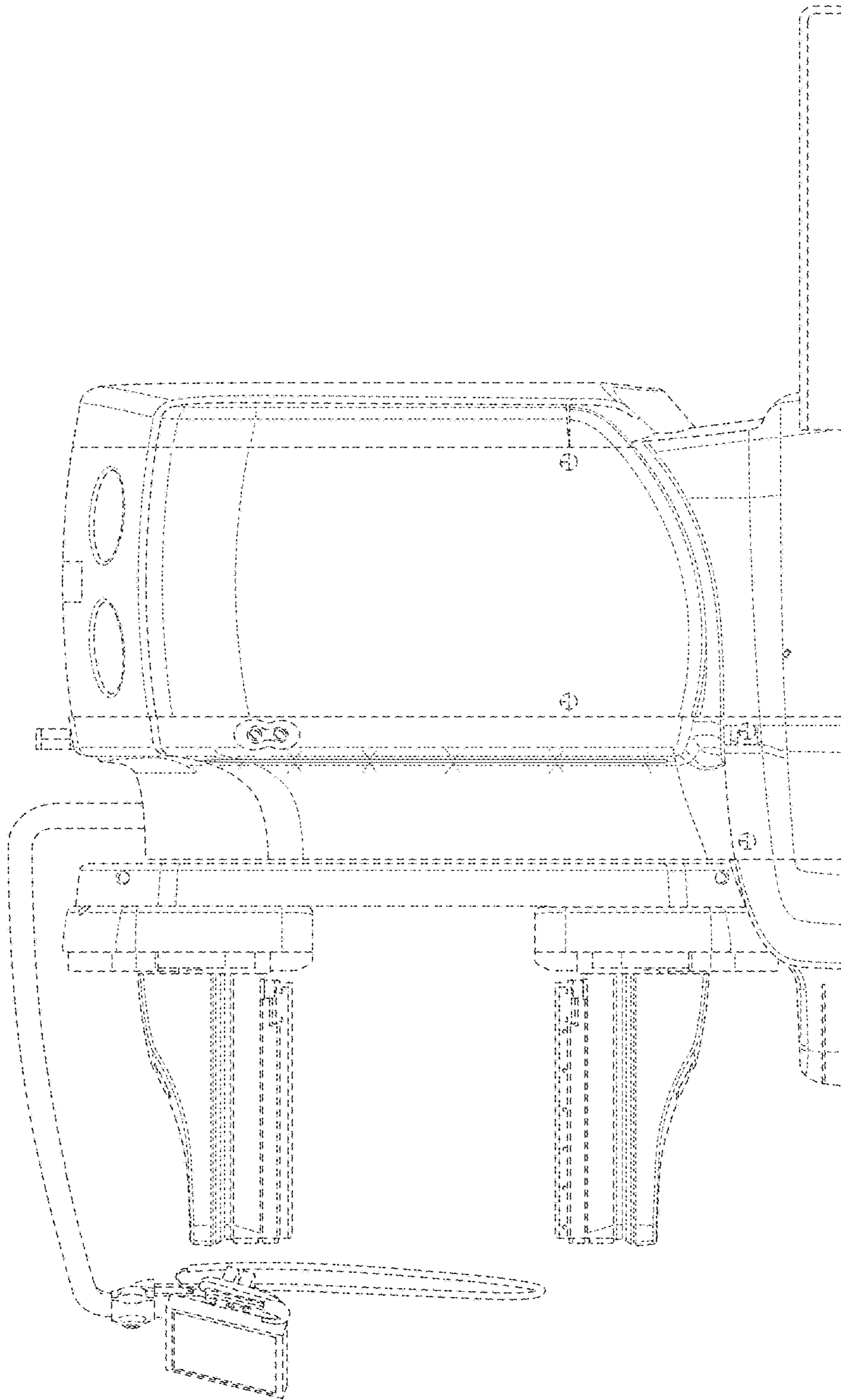


FIG. 5

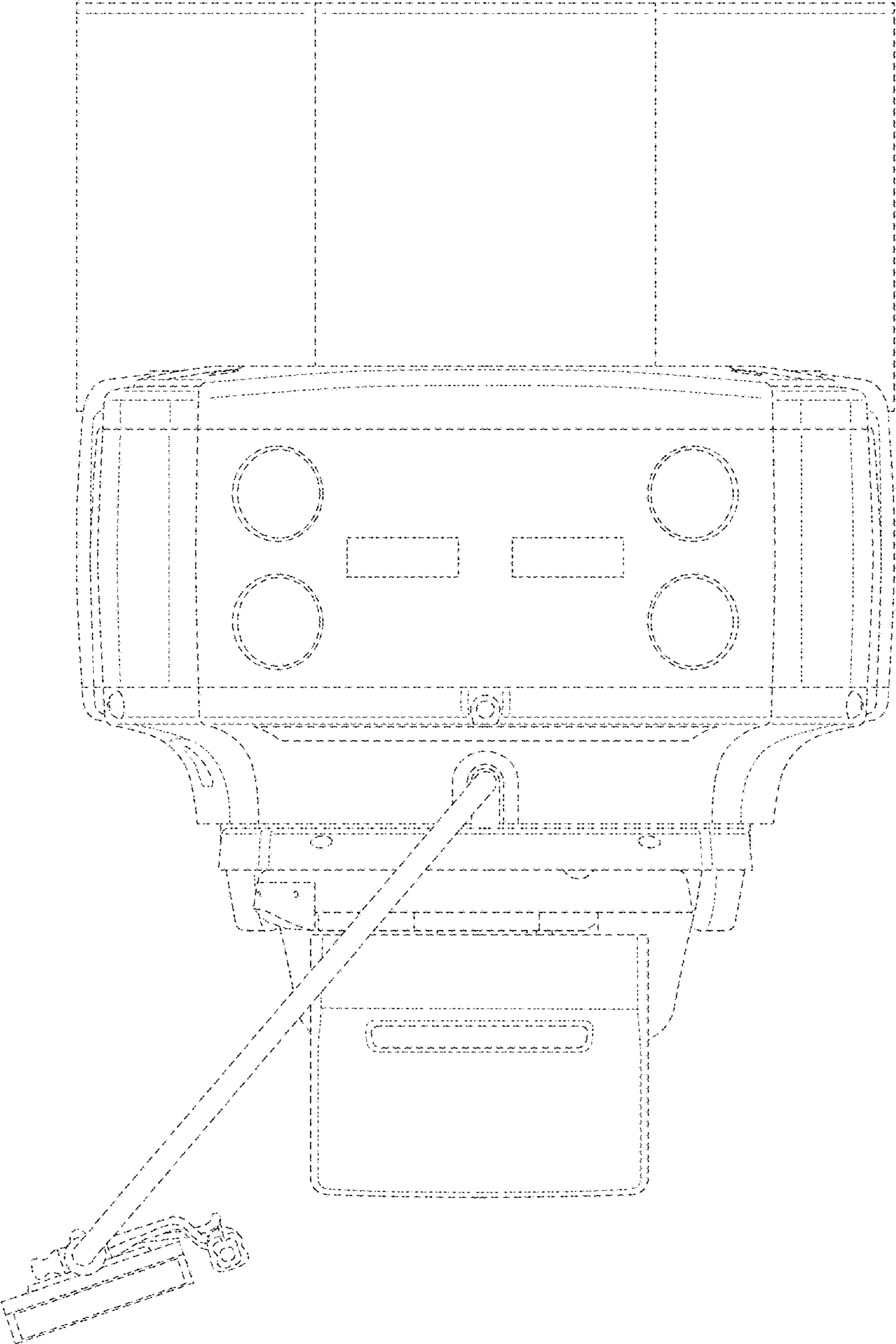


FIG. 6

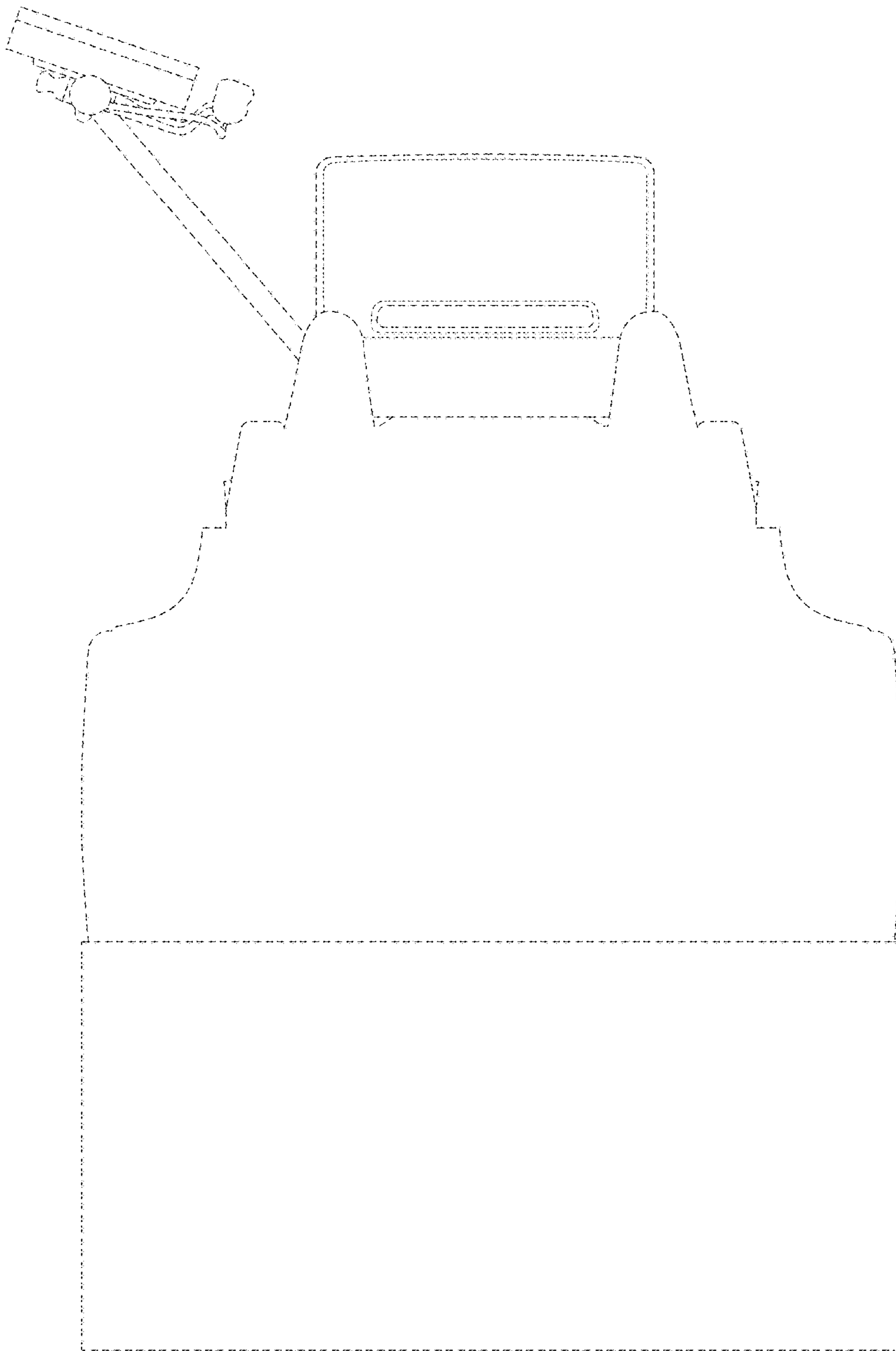


FIG. 7