



US00D779069S

(12) **United States Design Patent**
Mattiuzzo et al.

(10) **Patent No.:** **US D779,069 S**

(45) **Date of Patent:** **** Feb. 14, 2017**

(54) **X-RAY MACHINE**

(71) Applicants: **Giulio Mattiuzzo**, Rimini (IT); **Jarmo Benedetti**, Fusignano (IT); **Dario Righini**, Imola (IT)

(72) Inventors: **Giulio Mattiuzzo**, Rimini (IT); **Jarmo Benedetti**, Fusignano (IT); **Dario Righini**, Imola (IT)

(73) Assignee: **CEFLA SOCIETÀ COOPERATIVA**, Imola (BO) (IT)

(**) Term: **15 Years**

(21) Appl. No.: **29/530,316**

(22) Filed: **Jun. 16, 2015**

(30) **Foreign Application Priority Data**

Dec. 16, 2014 (EM) 002598730

(51) **LOC (10) Cl.** **24-01**

(52) **U.S. Cl.**
USPC **D24/158**

(58) **Field of Classification Search**
USPC D24/158-161, 185, 186, 107
CPC A61B 6/035; A61B 6/4405; A61B 6/4411;
A61B 6/4429; A61B 6/4435; A61B
6/4441; A61B 6/4447; A61B
6/484; A61B 6/14

See application file for complete search history.

(56) **References Cited**

U.S. PATENT DOCUMENTS

D502,543 S * 3/2005 Phleps D24/158
D571,471 S * 6/2008 Stockl D24/158

D604,414 S * 11/2009 Otsuka D24/158
D639,947 S * 6/2011 Choi D24/158
D704,340 S * 5/2014 Mattiuzzo D24/158
D708,335 S * 7/2014 Mattiuzzo D24/158
8,861,679 B2 * 10/2014 Suuronen A61B 6/0478
378/98.5
9,060,716 B2 * 6/2015 Bianconi A61B 6/14
2011/0142199 A1 * 6/2011 Kantor A61B 6/14
378/39

* cited by examiner

Primary Examiner — Anhdao Doan

(74) *Attorney, Agent, or Firm* — Themis Law

(57) **CLAIM**

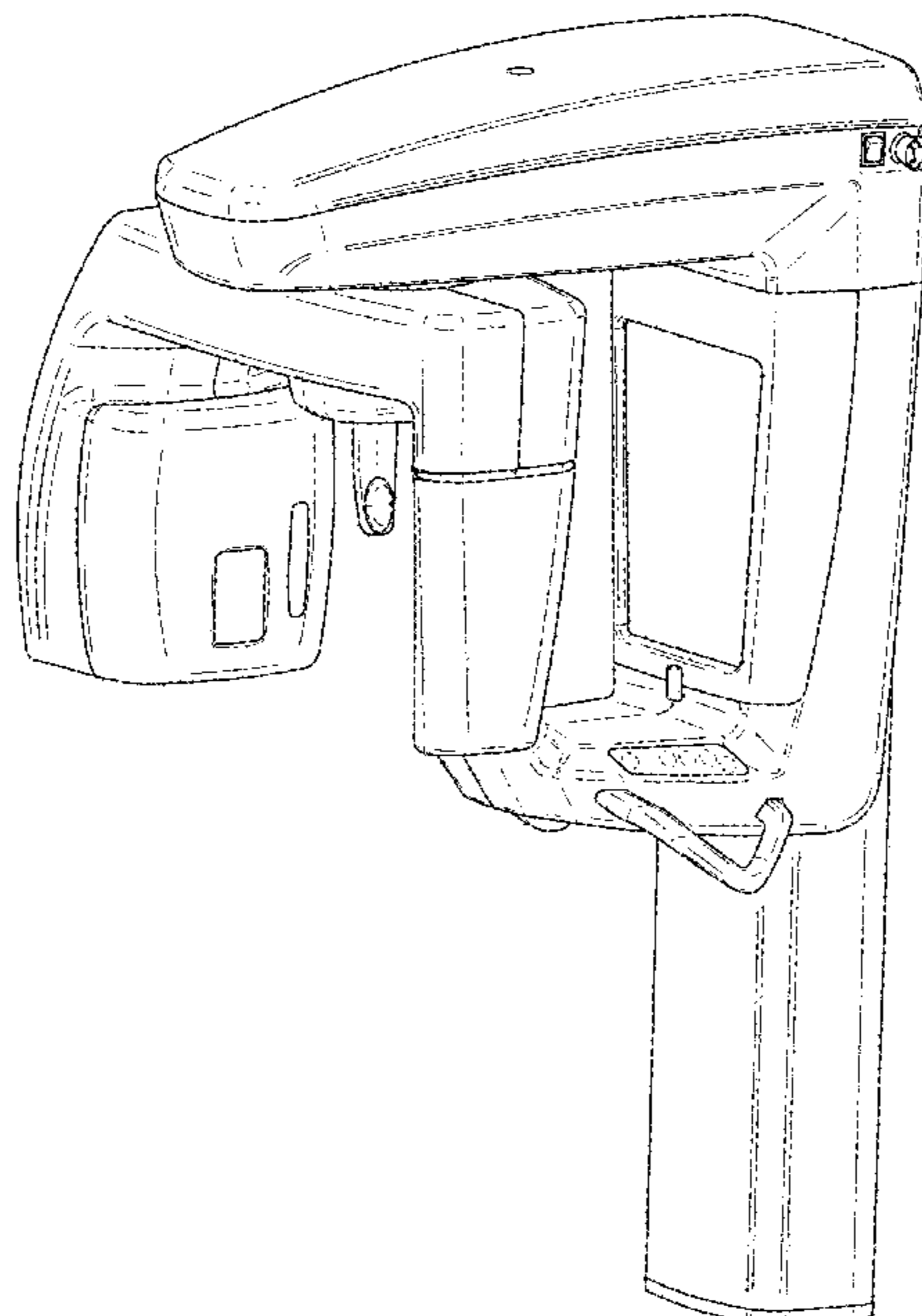
The ornamental design for an X-ray machine, as shown and described.

DESCRIPTION

FIG. 1 is a front perspective view of an X-ray machine showing our new design;
FIG. 2 is a right side elevational view thereof;
FIG. 3 is front elevational view thereof;
FIG. 4 is a left side elevational view thereof;
FIG. 5 is a rear elevational view thereof;
FIG. 6 is a top plan view thereof; and,
FIG. 7 is a bottom plan view thereof.

The broken lines adjacent to the shaded areas represent the bounds of the claim, while other broken lines are directed to the environment; the broken lines form no part of the claimed design.

1 Claim, 7 Drawing Sheets



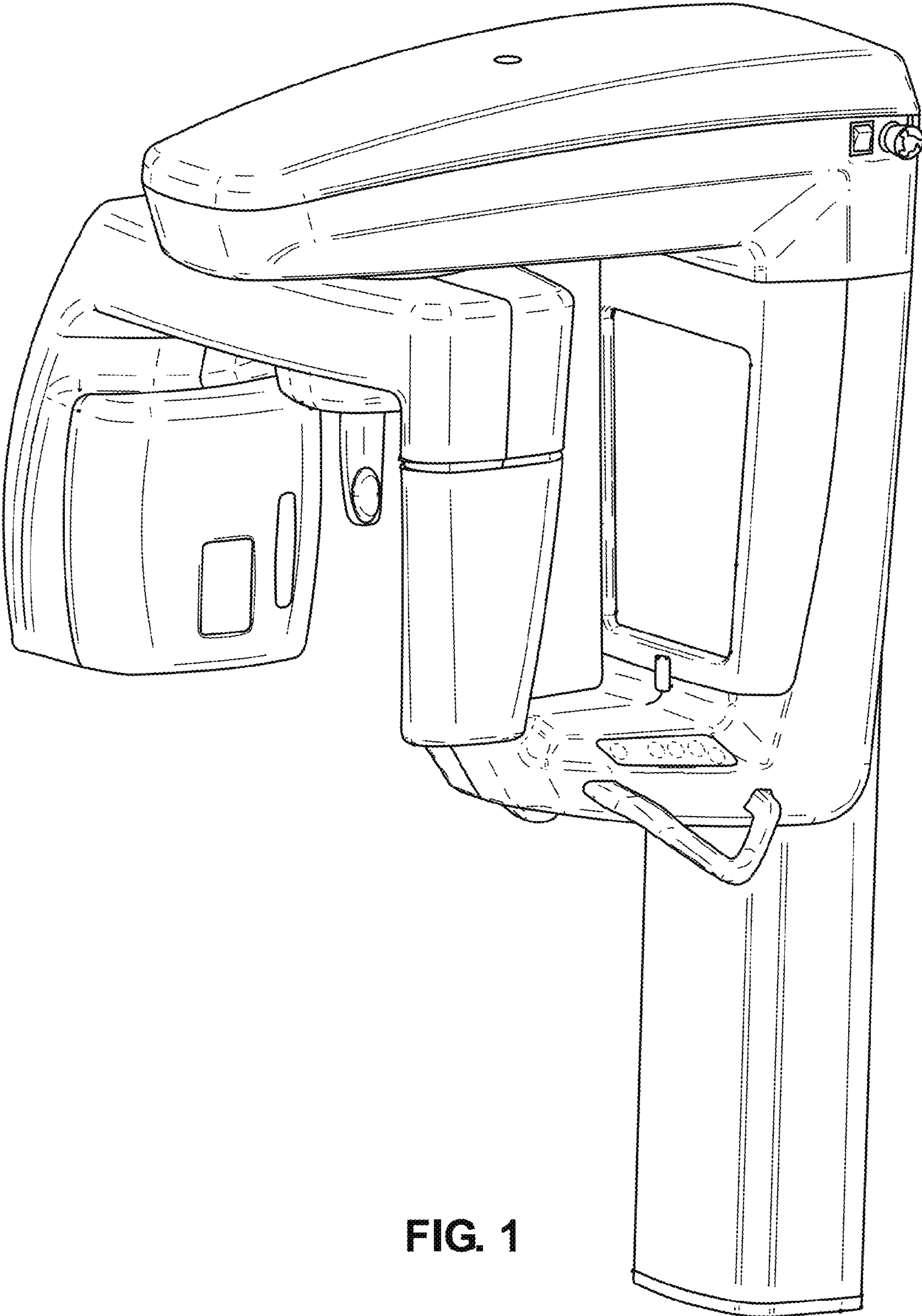


FIG. 1

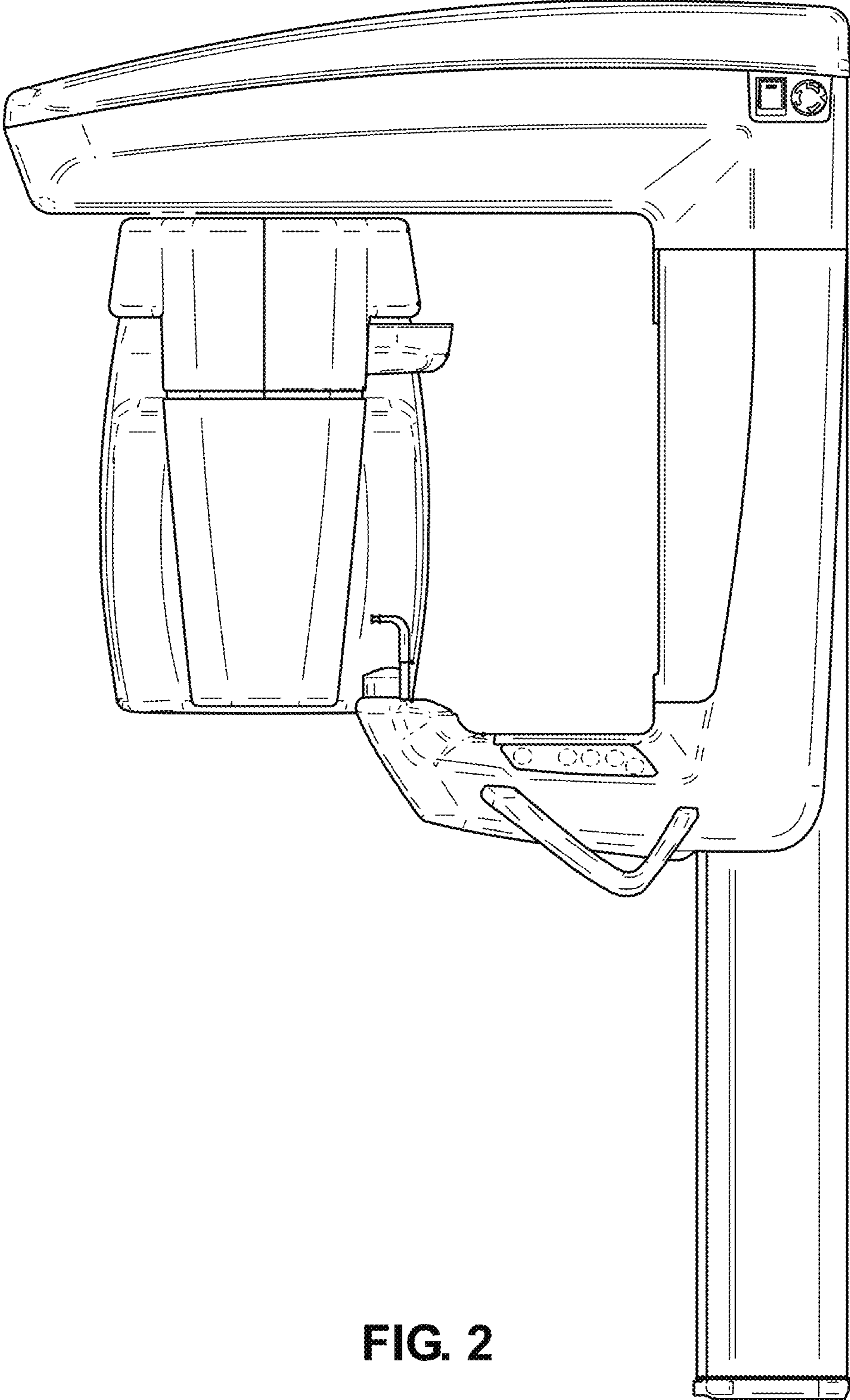


FIG. 2

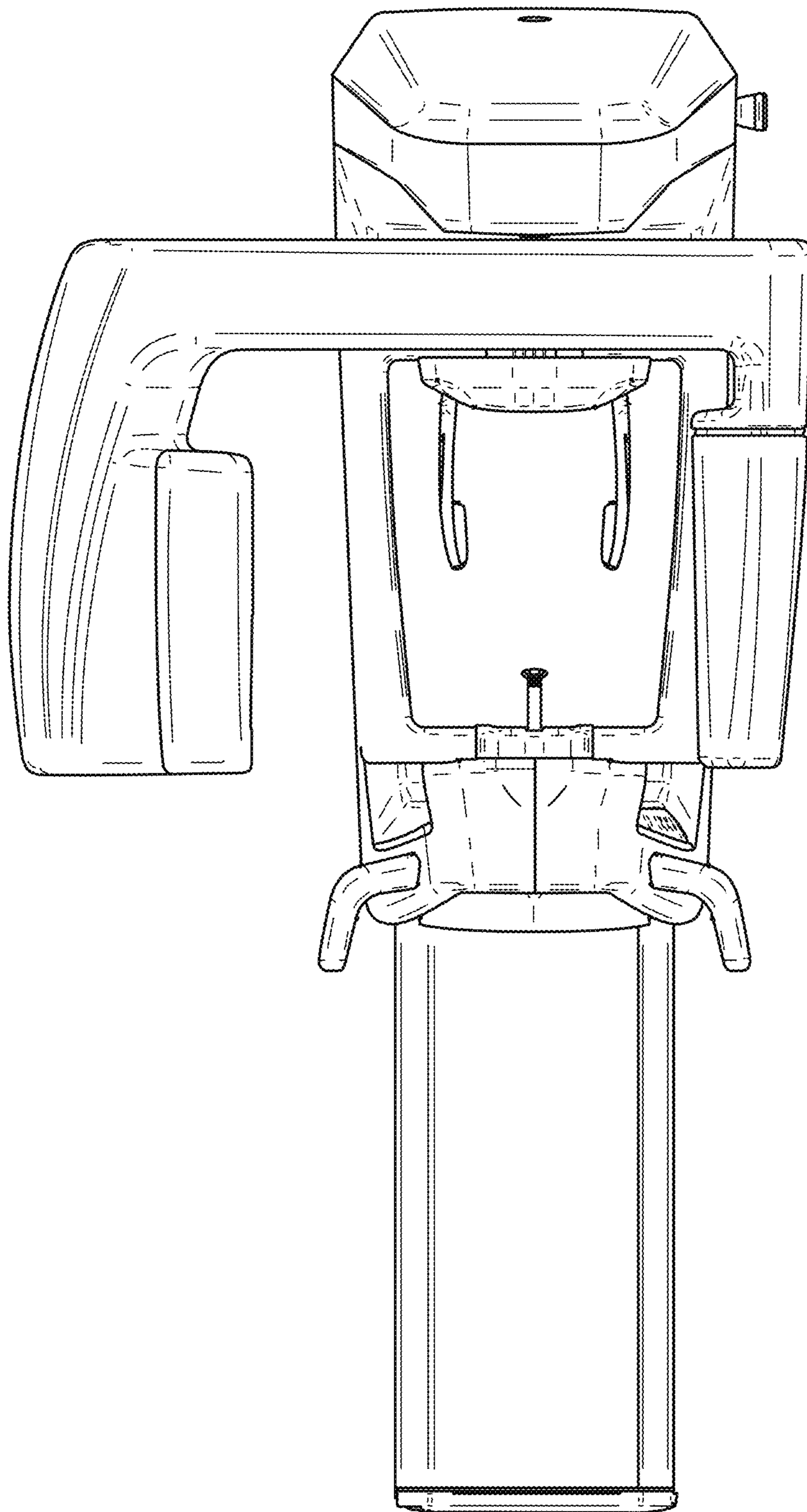


FIG. 3

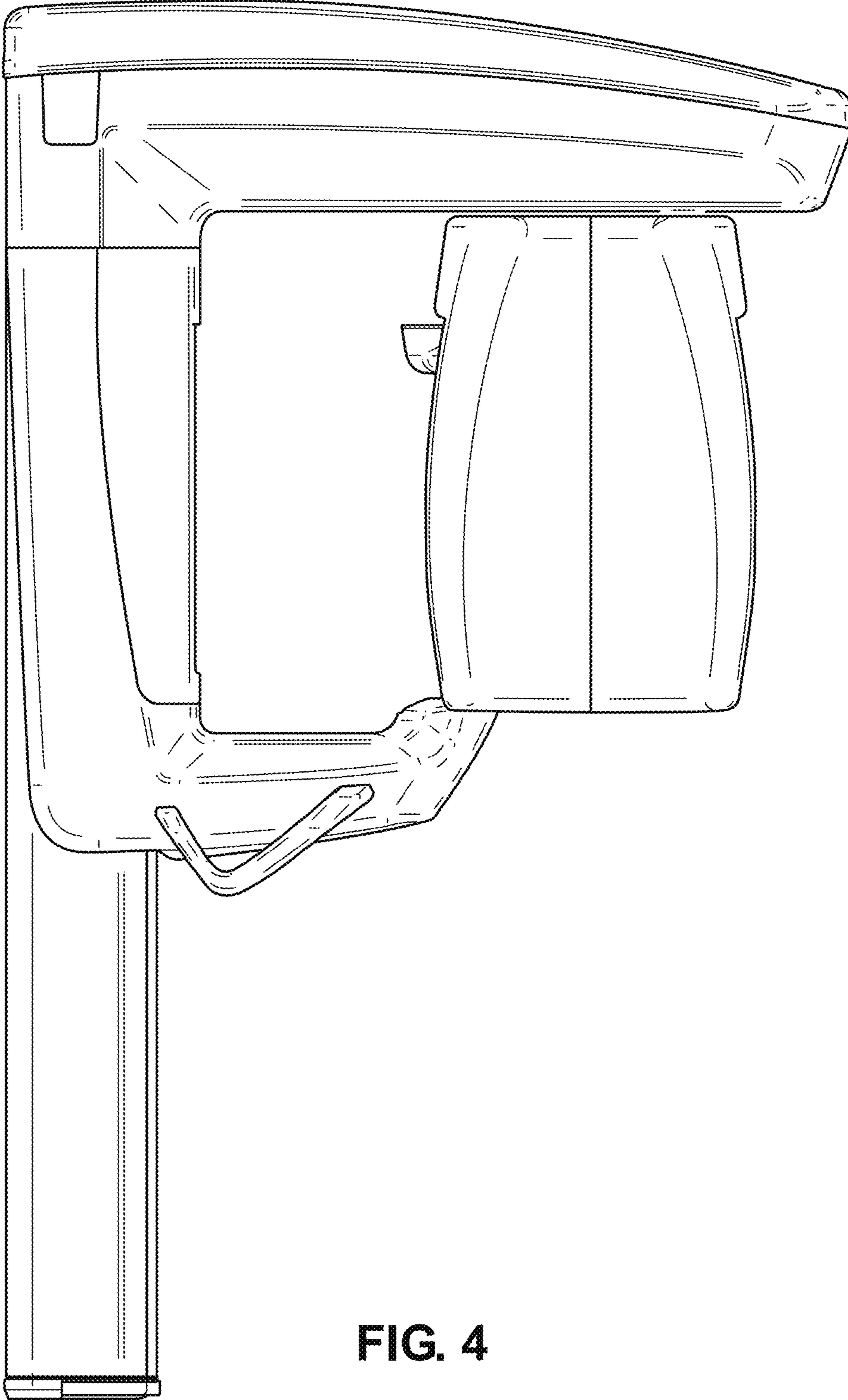


FIG. 4

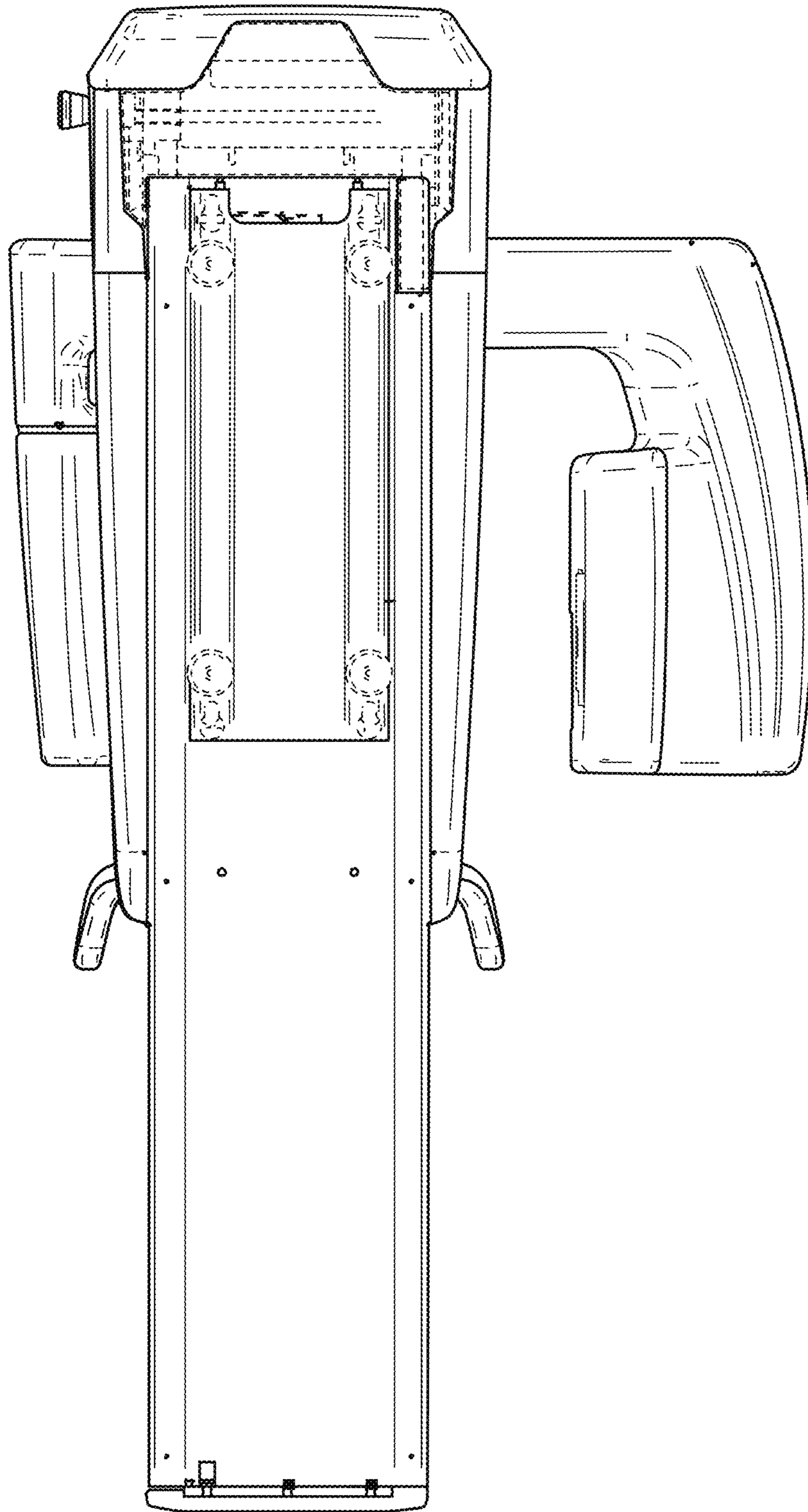


FIG. 5

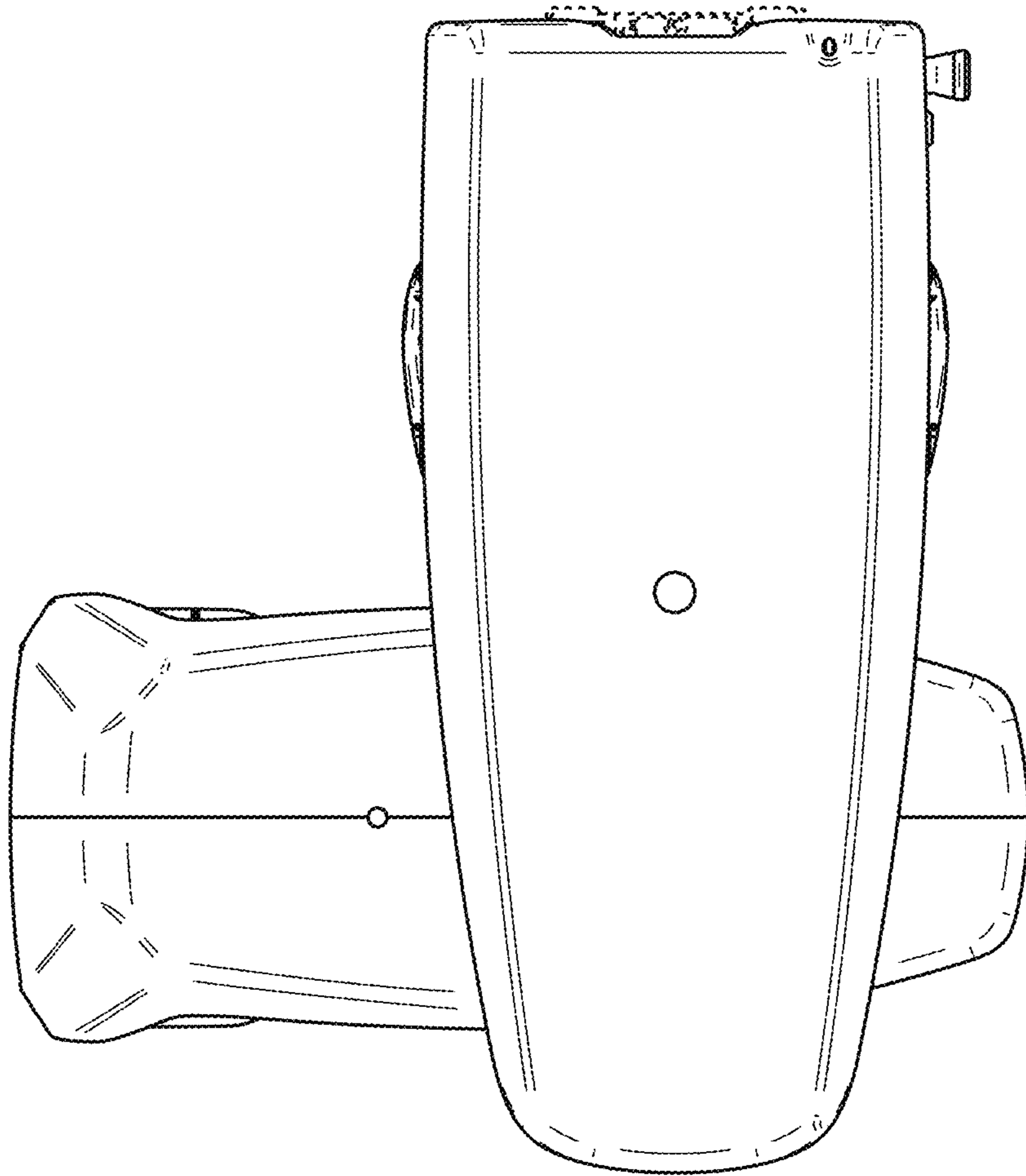


FIG. 6

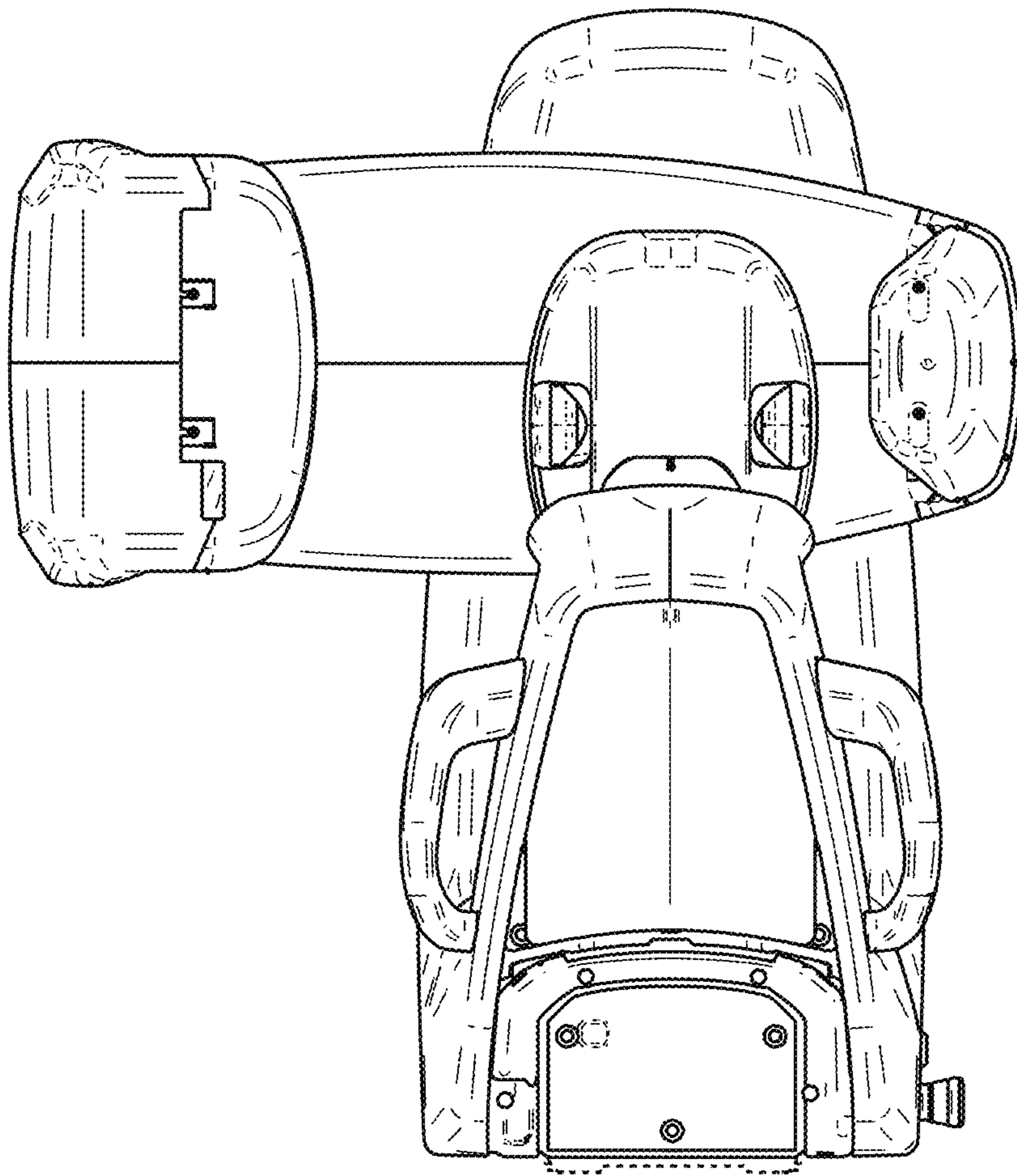


FIG. 7