



US00D779068S

(12) **United States Design Patent** (10) **Patent No.:** **US D779,068 S**
Lim et al. (45) **Date of Patent:** **** Feb. 14, 2017**

(54) **INTRAORAL SENSOR**

(71) Applicants: **Rayence Co., Ltd.**, Gyeonggi-do (KR);
Vatech Ewoo Holdings Co., Ltd.,
Gyeonggi-do (KR)

(72) Inventors: **Hyung Keun Lim**, Gyeonggi-do (KR);
Jin Pyo Chun, Gyeonggi-do (KR)

(73) Assignees: **Rayence Co., Ltd.**, Gyeonggi-do (KR);
VATECH EWOO Holdings Co., Ltd.,
Gyeonggi-do (KR)

(**) Term: **14 Years**

(21) Appl. No.: **29/520,516**

(22) Filed: **Mar. 16, 2015**

(30) **Foreign Application Priority Data**

Sep. 16, 2014 (KR) 30-2014-0044722

(51) **LOC (10) Cl.** **24-01**

(52) **U.S. Cl.**
USPC **D24/158**

(58) **Field of Classification Search**
USPC D24/158-161, 152, 176, 177, 186, 187,
D24/128; D8/394
CPC ... G03B 42/025; G03B 42/042; A61B 6/4435;
A61B 6/145; A61B 6/425
See application file for complete search history.

(56) **References Cited**

U.S. PATENT DOCUMENTS

D409,307 S * 5/1999 Phleps D24/158
6,169,781 B1 * 1/2001 Doeber A61B 6/145
378/189

D493,892 S * 8/2004 Royzen D24/158
7,281,847 B2 * 10/2007 Kokkaliaris A61B 6/145
348/E5.026
D624,189 S * 9/2010 Rutt D24/158
D629,524 S * 12/2010 Zeller D24/158
2013/0129044 A1 * 5/2013 Yoon A61B 6/145
378/62

* cited by examiner

Primary Examiner — Anhdao Doan

(74) *Attorney, Agent, or Firm* — IP Legal Services, LLC

(57) **CLAIM**

The ornamental design for an intraoral sensor, as shown and described.

DESCRIPTION

FIG. 1 is a perspective view of an intraoral sensor showing my new design;
FIG. 2 is a front elevational view thereof;
FIG. 3 is a rear elevational view thereof;
FIG. 4 is a right side view thereof;
FIG. 5 is a left side view thereof;
FIG. 6 is a top plan view thereof;
FIG. 7 is a bottom plan view thereof; and,
FIG. 8 is another perspective view thereof.
The broken lines are included to illustrate environmental structure and form no part of the claimed design.

1 Claim, 4 Drawing Sheets

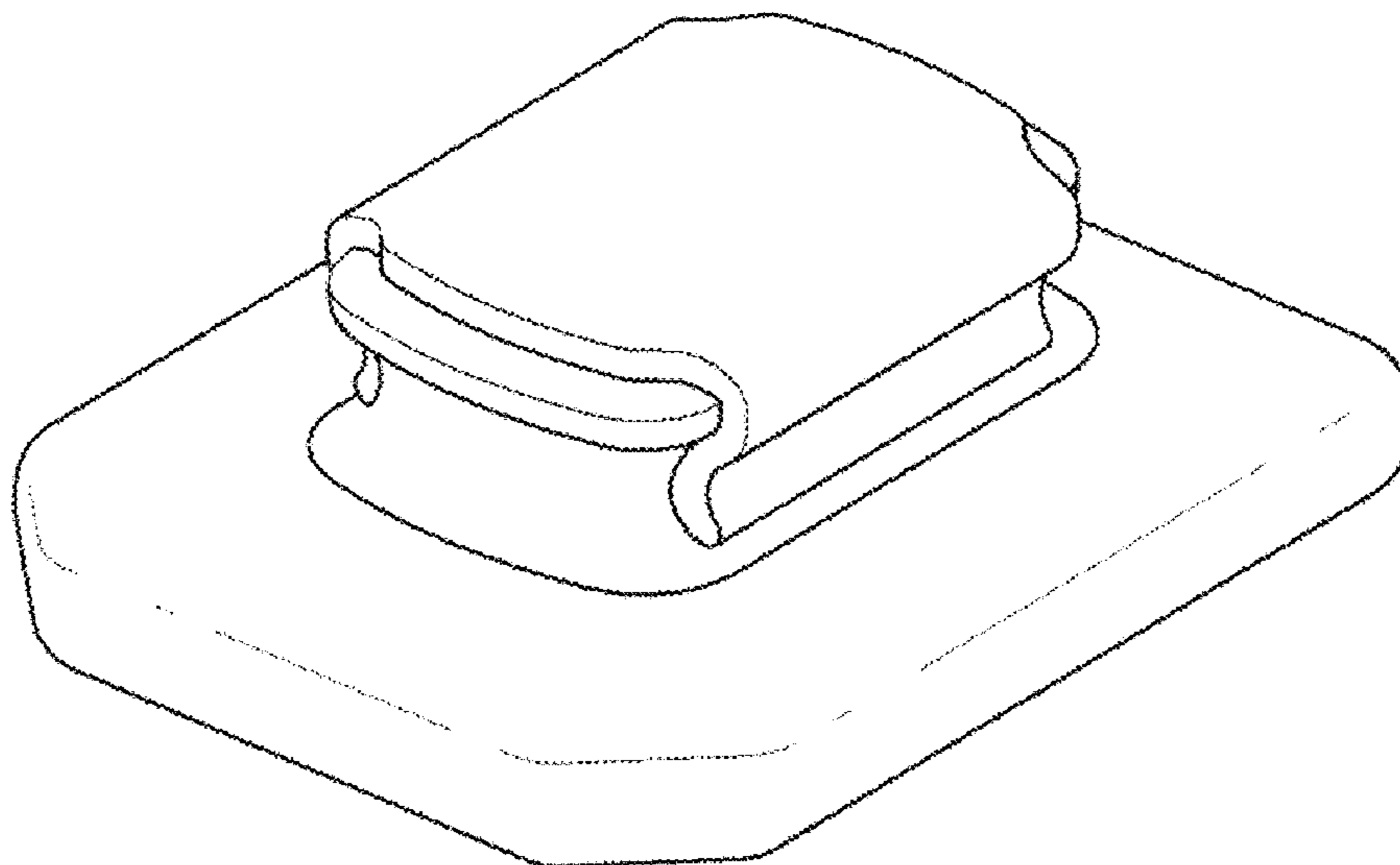


FIG. 1

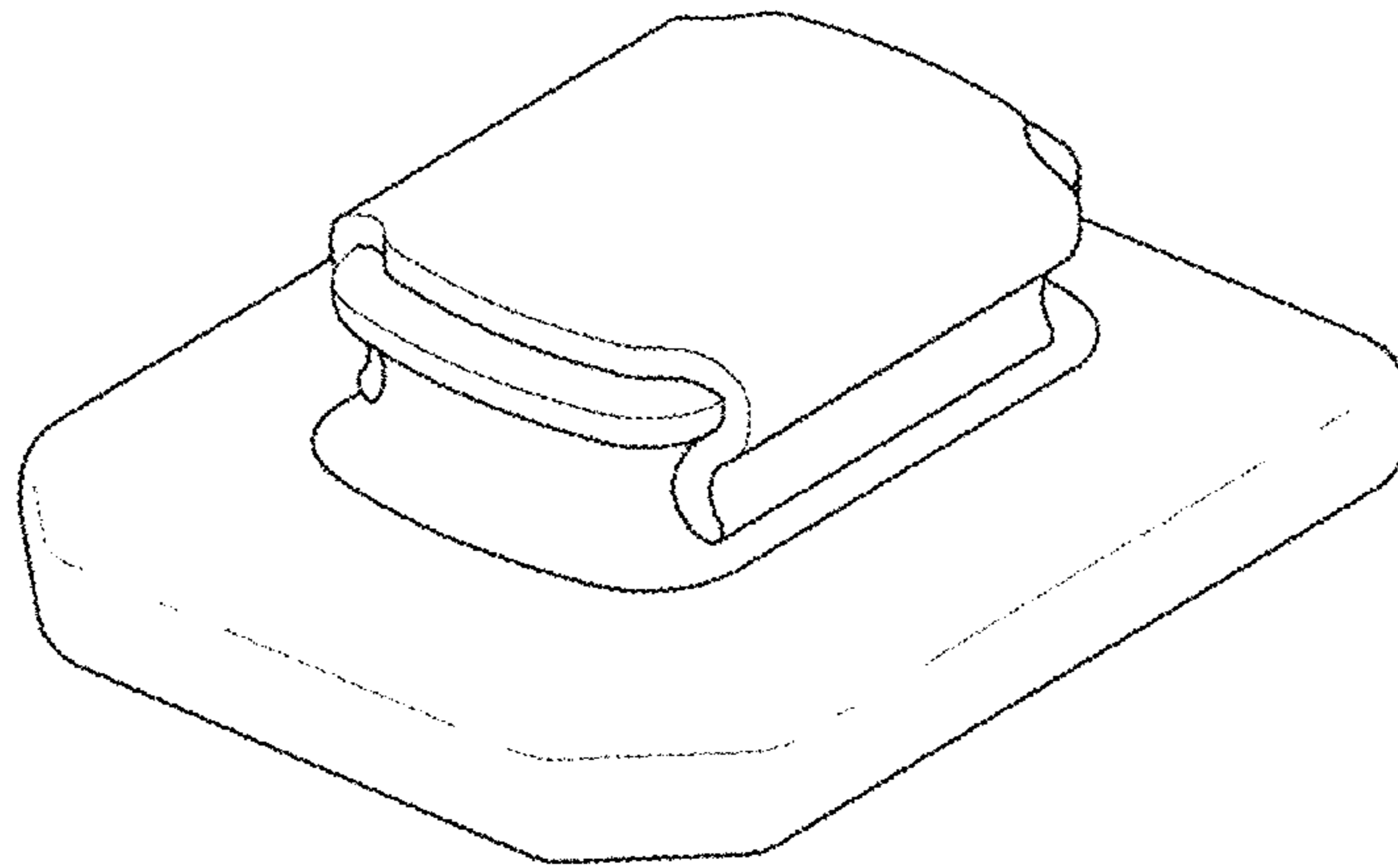


FIG. 2

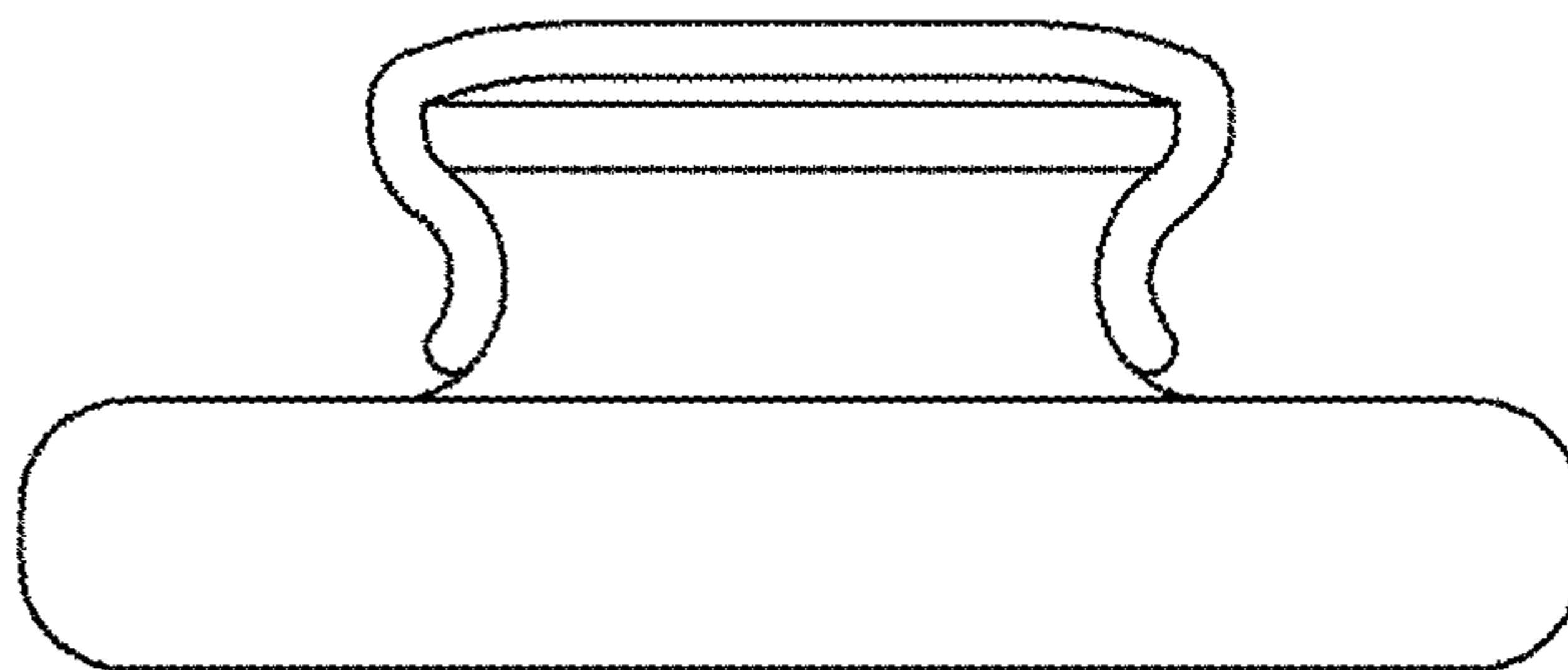


FIG. 3

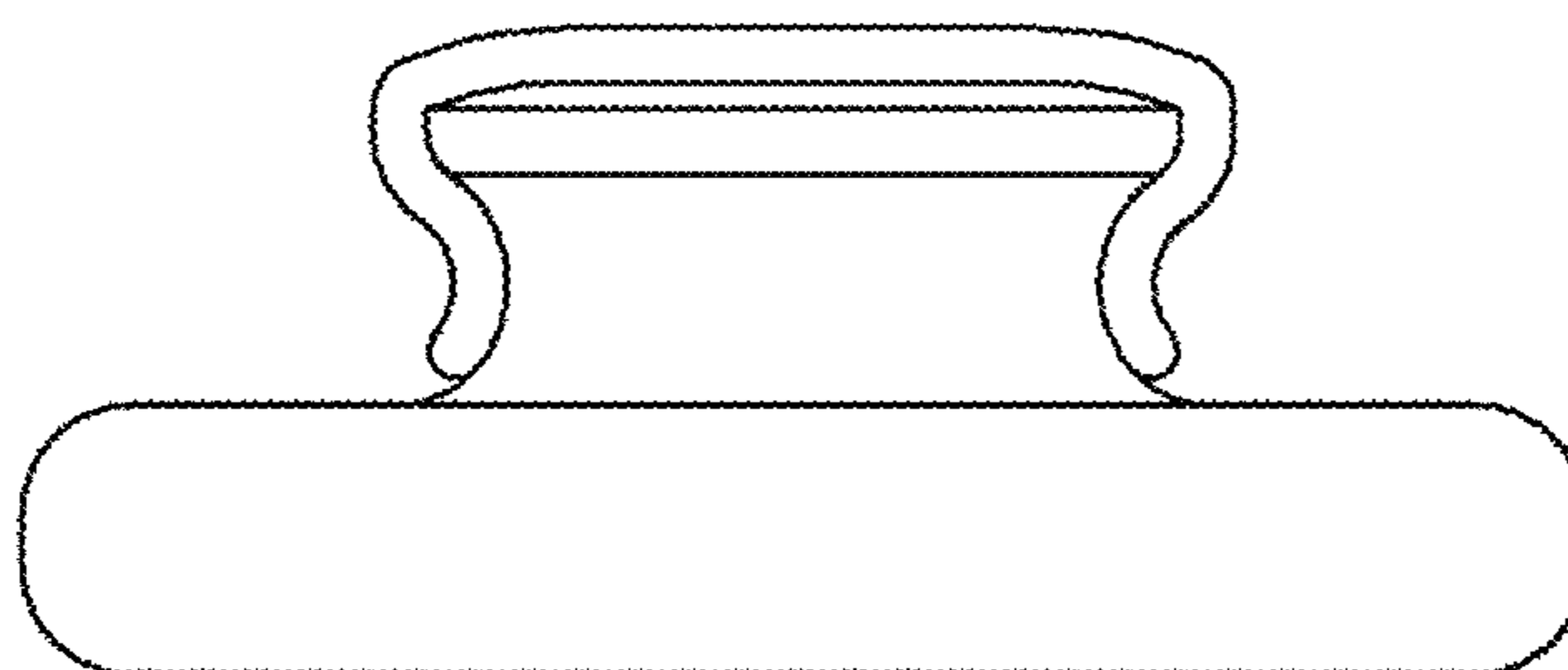


FIG. 4

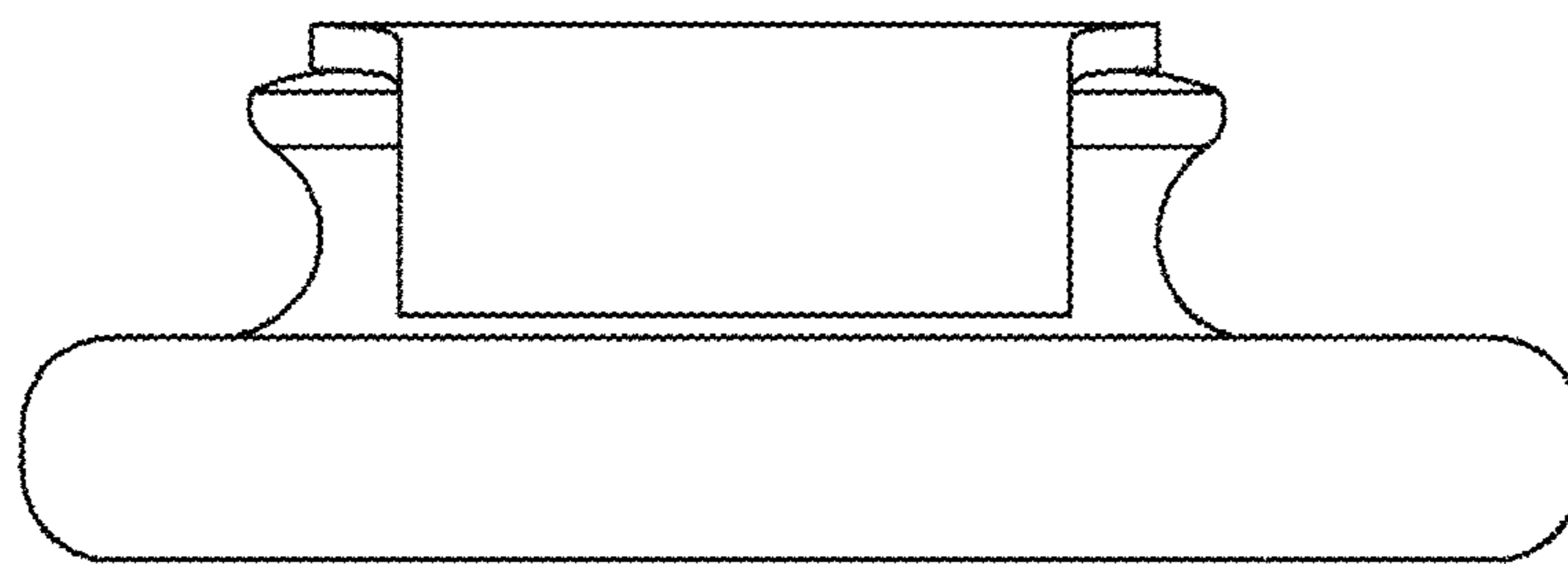


FIG. 5

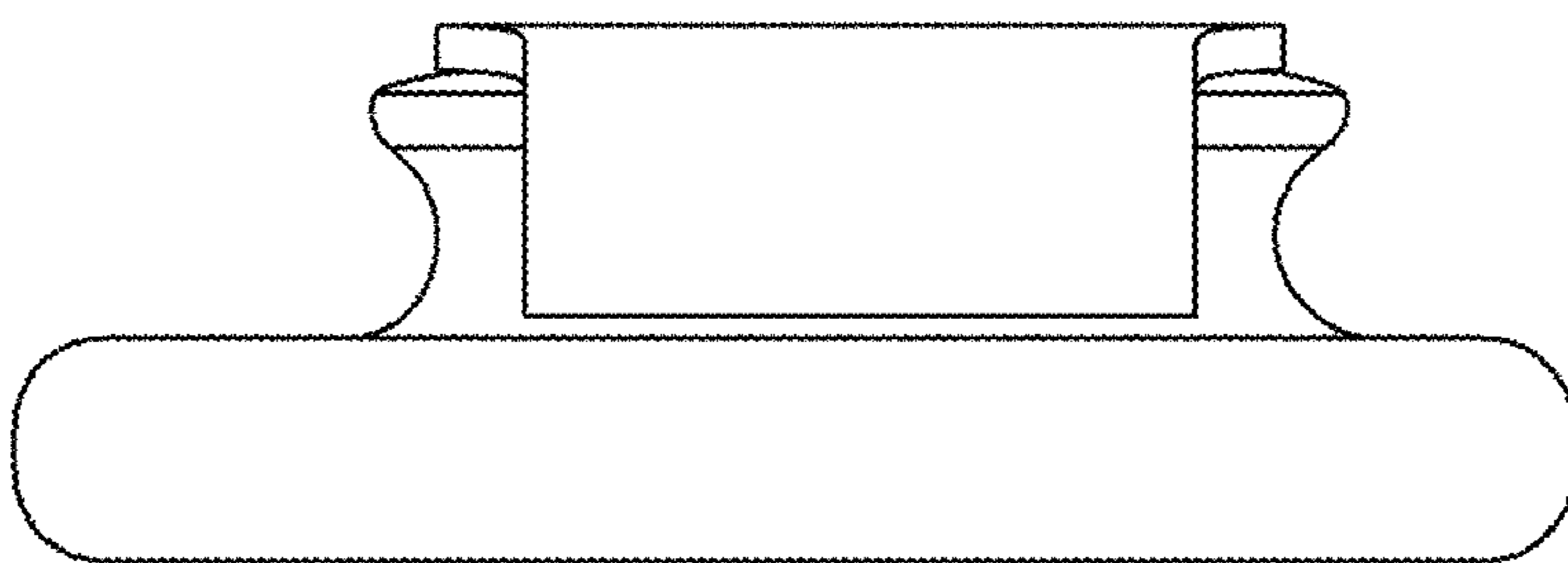


FIG. 6

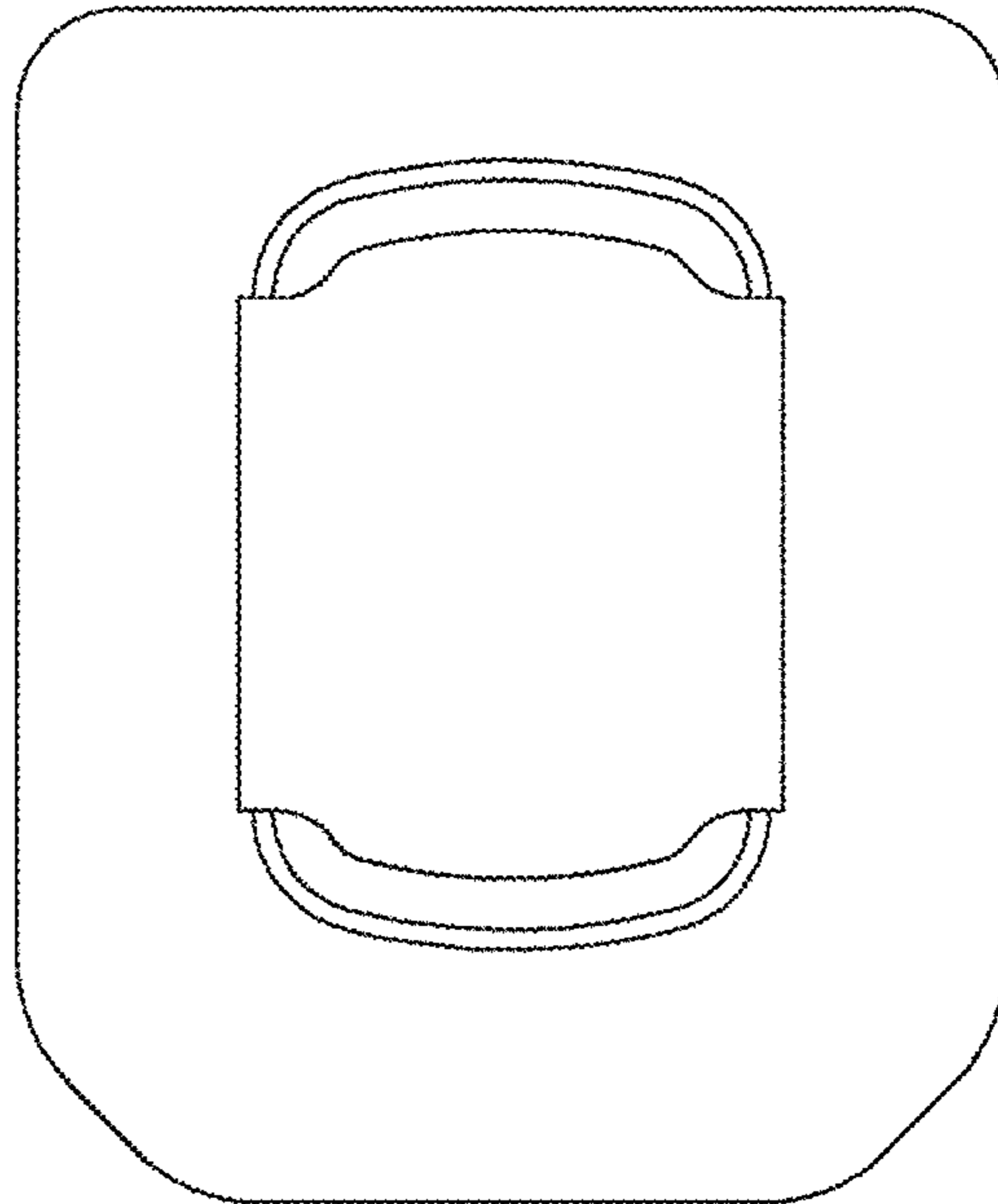


FIG. 7

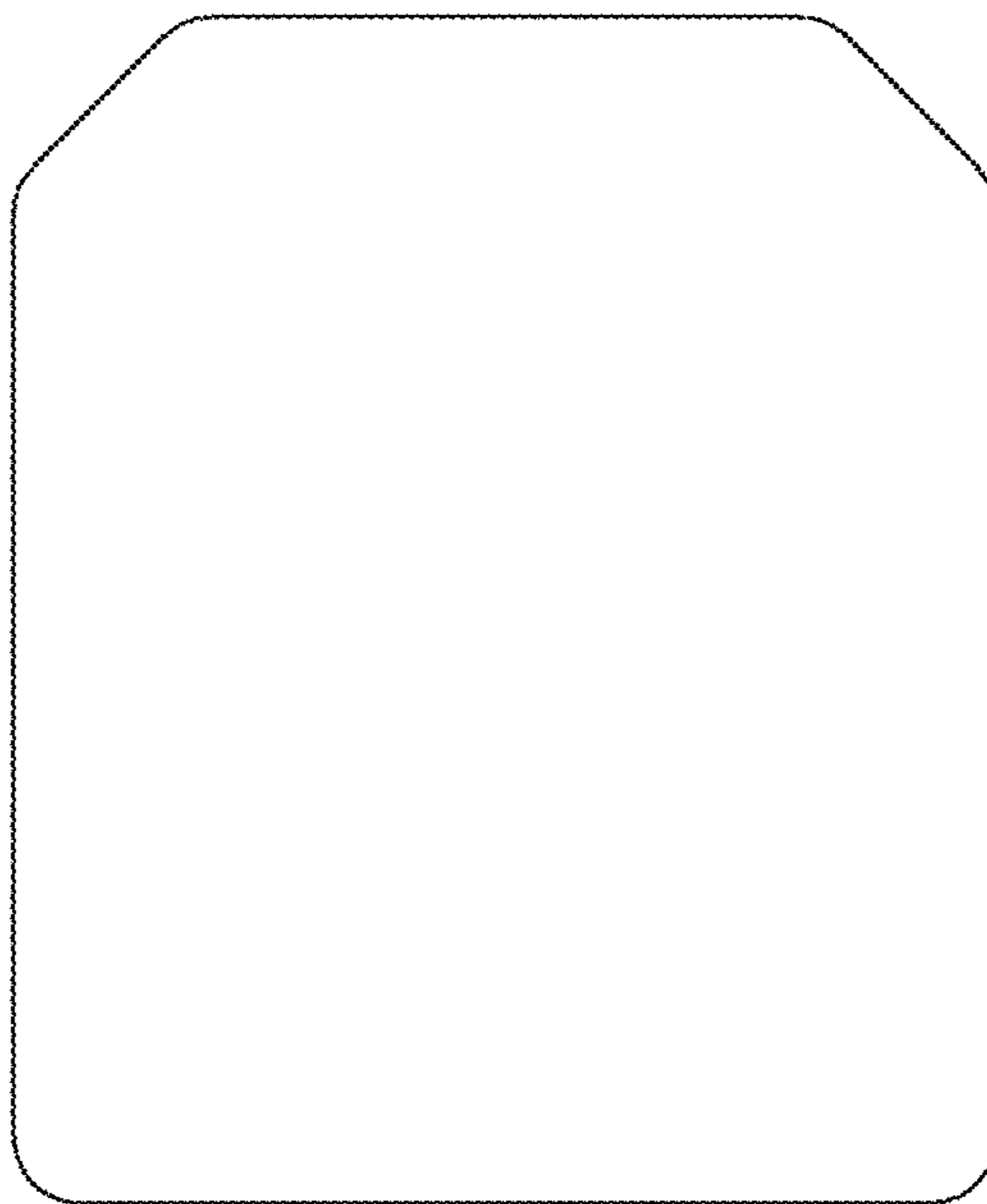


FIG. 8

