



US00D779064S

(12) **United States Design Patent** (10) **Patent No.:** **US D779,064 S**
Sanchez (45) **Date of Patent:** **** Feb. 14, 2017**

(54) **TOOTH SCULPTING INSTRUMENT**

(71) Applicant: **Carlos Sanchez**, Kannapolis, NC (US)

(72) Inventor: **Carlos Sanchez**, Kannapolis, NC (US)

(**) Term: **15 Years**

(21) Appl. No.: **29/534,347**

(22) Filed: **Jul. 28, 2015**

(51) **LOC (10) Cl.** **24-02**

(52) **U.S. Cl.**
USPC **D24/154; D24/149**

(58) **Field of Classification Search**
USPC . D24/152-154, 133, 147, 149, 176; D28/57
CPC A61C 3/00; A61C 3/10; A61C 3/14;
A61C 5/02; A61C 5/04

See application file for complete search history.

(56) **References Cited**

U.S. PATENT DOCUMENTS

D238,173 S *	12/1975	Felt	D24/149
D306,067 S *	2/1990	Bogdanoff	D24/154
6,309,219 B1 *	10/2001	Robert	A61C 3/00
				433/144
6,626,670 B1 *	9/2003	Lerner	A61C 3/00
				433/118
6,997,709 B2 *	2/2006	Kangasniemi	A61C 3/00
				433/147
D588,747 S *	3/2009	Wittke-Kothe	D24/149
D687,553 S *	8/2013	Coreil	D24/149

2006/0263745 A1 *	11/2006	Lasner	A61C 3/14
				433/144
2007/0212660 A1 *	9/2007	Rueggeberg	A61C 3/00
				433/32
2014/0113246 A1 *	4/2014	Jaramillo	A61C 3/00
				433/102

* cited by examiner

Primary Examiner — Wan Laymon

(74) *Attorney, Agent, or Firm* — Bishop Diehl & Lee, Ltd.

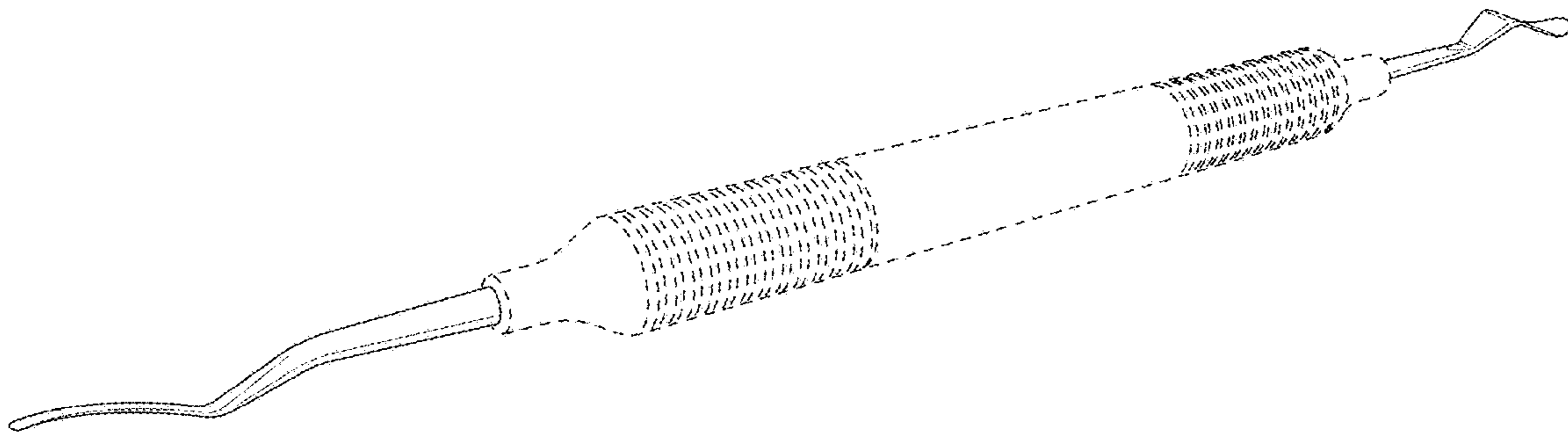
(57) **CLAIM**

The ornamental design for a tooth sculpting instrument, as shown and described.

DESCRIPTION

FIG. 1 is an isometric view of a tooth sculpting instrument showing the new design;
 FIG. 2 is a top view thereof;
 FIG. 3 is a right side view, the left side being a mirror image thereof;
 FIG. 4 is a bottom view thereof;
 FIG. 5 is a front view thereof; and,
 FIG. 6 is a rear view thereof.
 The broken lines shown in the figures are included for the purpose of illustrating portions of the tooth sculpting instrument and form no part of the claimed design.

1 Claim, 2 Drawing Sheets



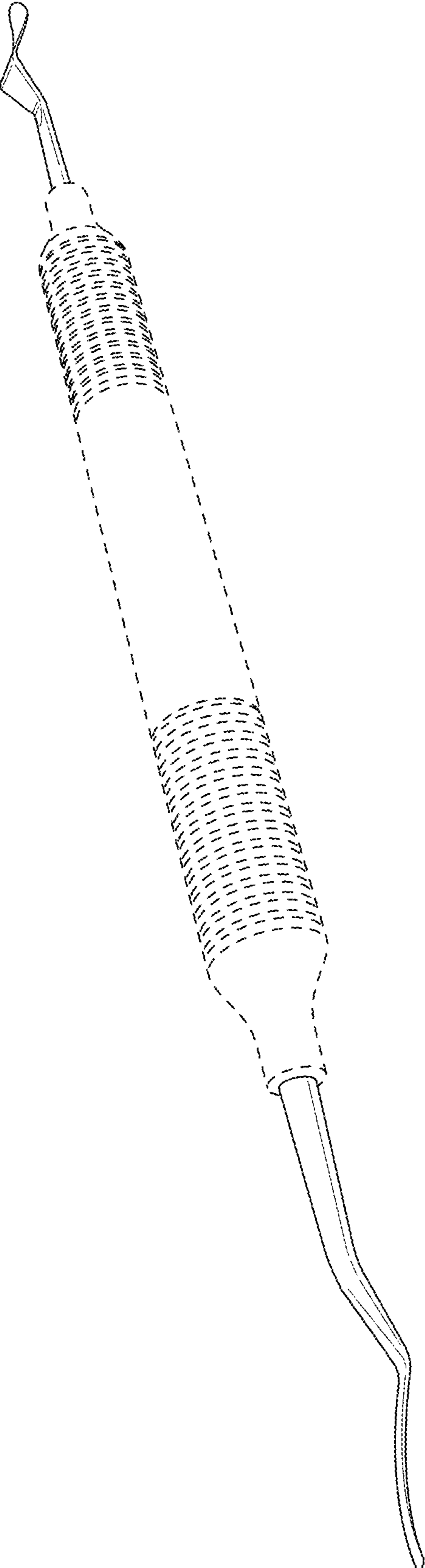


FIG. 1



FIG. 2

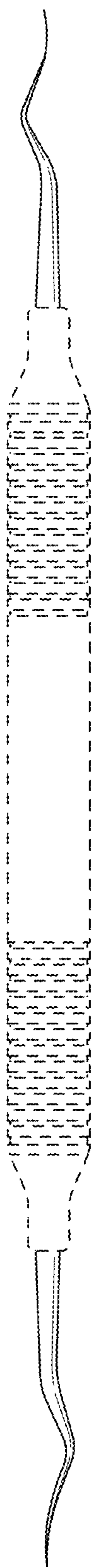


FIG. 3



FIG. 4



FIG. 5

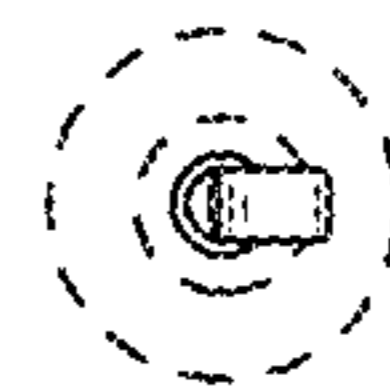


FIG. 6